



US00D717901S

(12) **United States Design Patent**
Kerbrat et al.

(10) **Patent No.:** **US D717,901 S**

(45) **Date of Patent:** **** Nov. 18, 2014**

(54) **FIREARM**

(75) Inventors: **Renaud Kerbrat**, Gland (CH); **Antoine Robert**, Morges (CH); **Jan Henrik Jebsen**, Crans-pre-Celigny (CH)

(73) Assignee: **KRISS Systems SA**, Nyon (CH)

(**) Term: **14 Years**

(21) Appl. No.: **29/407,939**

(22) Filed: **Dec. 5, 2011**

(51) **LOC (10) Cl.** **22-01**

(52) **U.S. Cl.**
USPC **D22/103**

(58) **Field of Classification Search**
USPC D22/100, 101, 103, 104, 108, 199;
D21/572-575; 42/51, 71.01, 75.01,
42/75.02, 90, 94, 134, 136, 139, 125, 72,
42/111; 89/40.06, 41.19, 37.04, 33.04,
89/191.01, 200-204; 124/67, 66, 72, 74
See application file for complete search history.

(56) **References Cited**

U.S. PATENT DOCUMENTS

2,057,169	A *	10/1936	Swenson	42/5
2,424,194	A *	7/1947	Sampson et al.	42/72
D206,669	S *	1/1967	Hirsch	D21/573
D212,220	S	9/1968	Crouch		
3,748,961	A *	7/1973	Perrine	89/189
D251,979	S	5/1979	Hance		
D285,234	S	8/1986	Swearengen et al.		
4,735,007	A	4/1988	Gal		
D296,810	S	7/1988	Geiser, Jr.		
D303,418	S	9/1989	Miller et al.		
4,932,148	A	6/1990	Barrett		
4,967,642	A *	11/1990	Mihaita	89/126
D369,639	S	5/1996	Predazzer		
D400,954	S	11/1998	Ealovega		
D403,042	S	12/1998	Kozlovitz		
5,900,577	A	5/1999	Robinson et al.		

D443,912	S	6/2001	Henderson		
D510,401	S	10/2005	Murello et al.		
7,201,094	B2 *	4/2007	Jebsen et al.	89/189
D547,818	S	7/2007	Wolfe		
7,418,797	B1	9/2008	Crose		
7,493,721	B2	2/2009	Swan		
7,997,183	B2	8/2011	Jebsen		
2007/0199435	A1	8/2007	Hochstrate et al.		
2008/0155874	A1	7/2008	Jebsen et al.		

(Continued)

OTHER PUBLICATIONS

Attached PDF File Kriss 2.pdf image capture of Youtube Video uploaded on Oct. 22, 2007. At URL:<http://www.youtube.com/watch?v=vHrsQriJb5c>. Attached PDF File Kriss 3.pdf image capture of Youtube Video uploaded on Oct. 26, 2007. At URL:<http://www.youtube.com/watch?v=COZd55As1UM>.

(Continued)

Primary Examiner — Michael A Pratt

(74) *Attorney, Agent, or Firm* — Wiley Rein LLP

(57) **CLAIM**

The ornamental design for a firearm, as shown and described.

DESCRIPTION

FIG. 1 is a side elevational perspective of a firearm according to the novel design.

FIG. 2 is a side elevational perspective of a firearm according to the novel design.

FIG. 3 is a bottom perspective of a firearm according to a novel design.

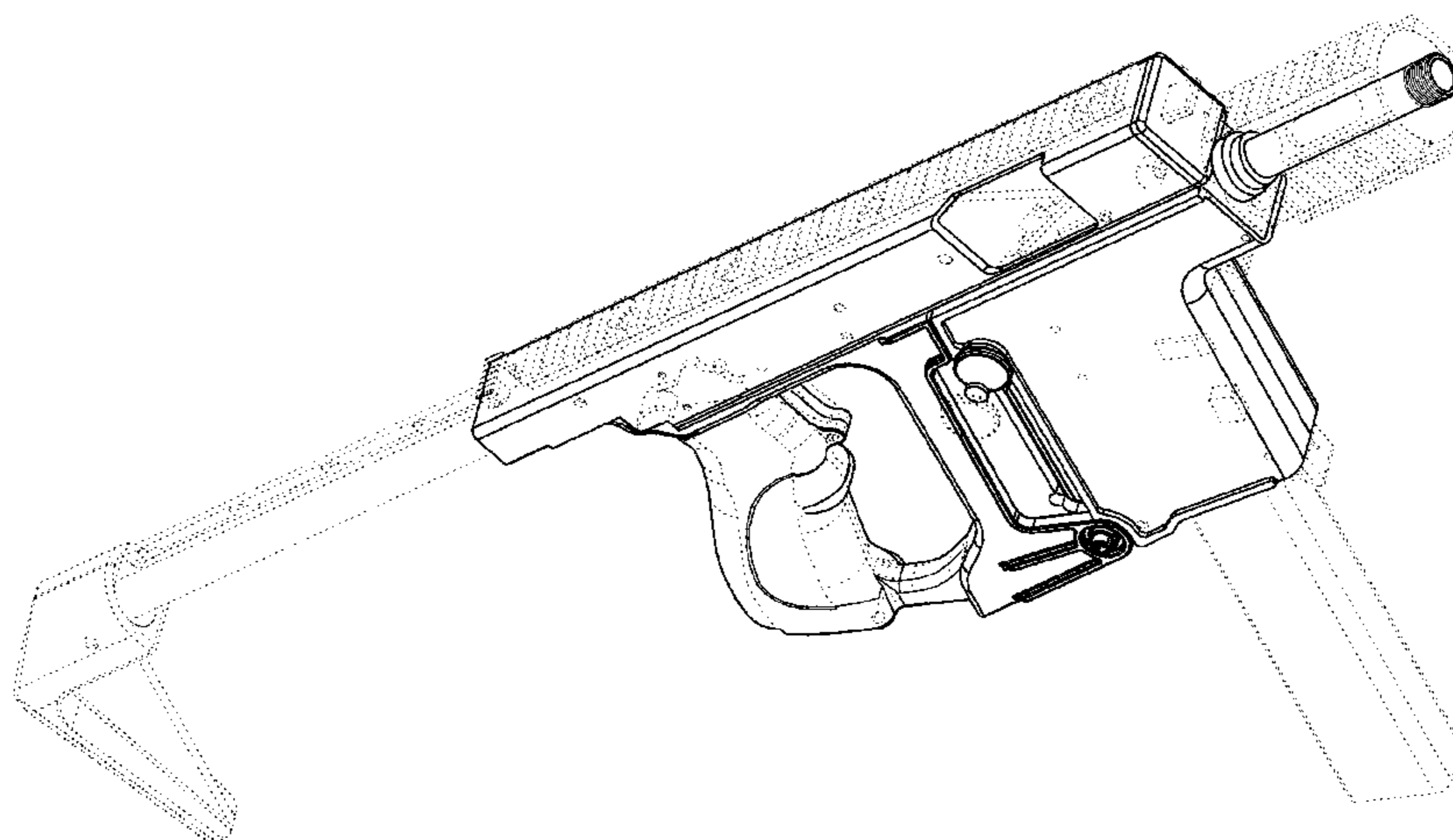
FIG. 4 is a top perspective of a firearm according to the novel design.

FIG. 5 is a side perspective of a firearm according to the novel design; and,

FIG. 6 is a front perspective of a firearm according to the novel design.

The broken lines included in the drawings depict elements that are not part of the claimed design.

1 Claim, 5 Drawing Sheets



(56)

References Cited

U.S. PATENT DOCUMENTS

2010/0077643 A1* 4/2010 Kerbrat et al. 42/1.06
2011/0030258 A1* 2/2011 Fistikchi et al. 42/1.06
2012/0260791 A1* 10/2012 Kerbrat et al. 89/1.4

OTHER PUBLICATIONS

Attached PDF File Kriss 4.pdf image capture of Youtube Video
uploaded on Oct. 26, 2007. At URL:[http://www.youtube.com/
watch?v=OAAFDIWnyUg](http://www.youtube.com/watch?v=OAAFDIWnyUg).

* cited by examiner

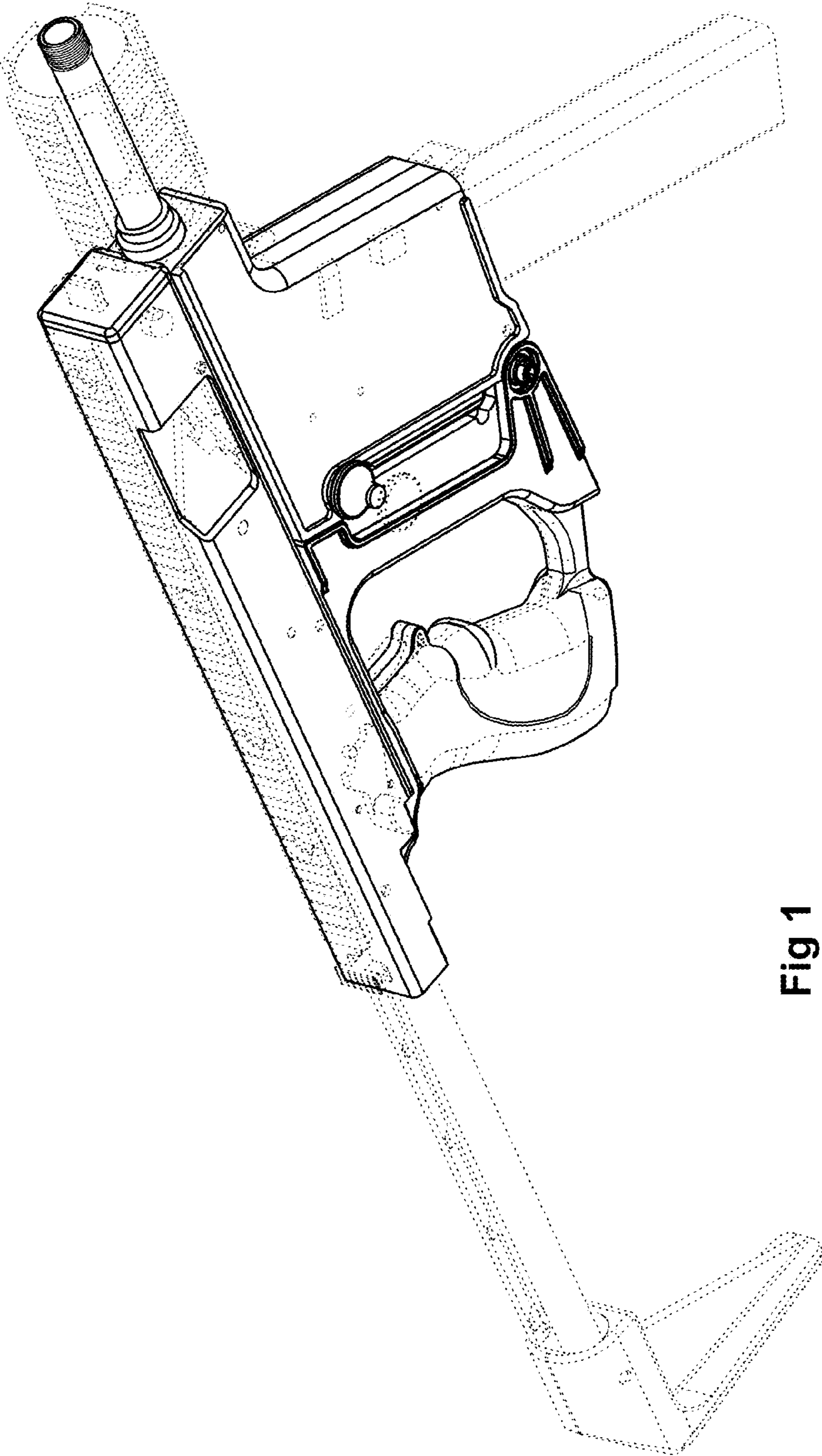


Fig 1

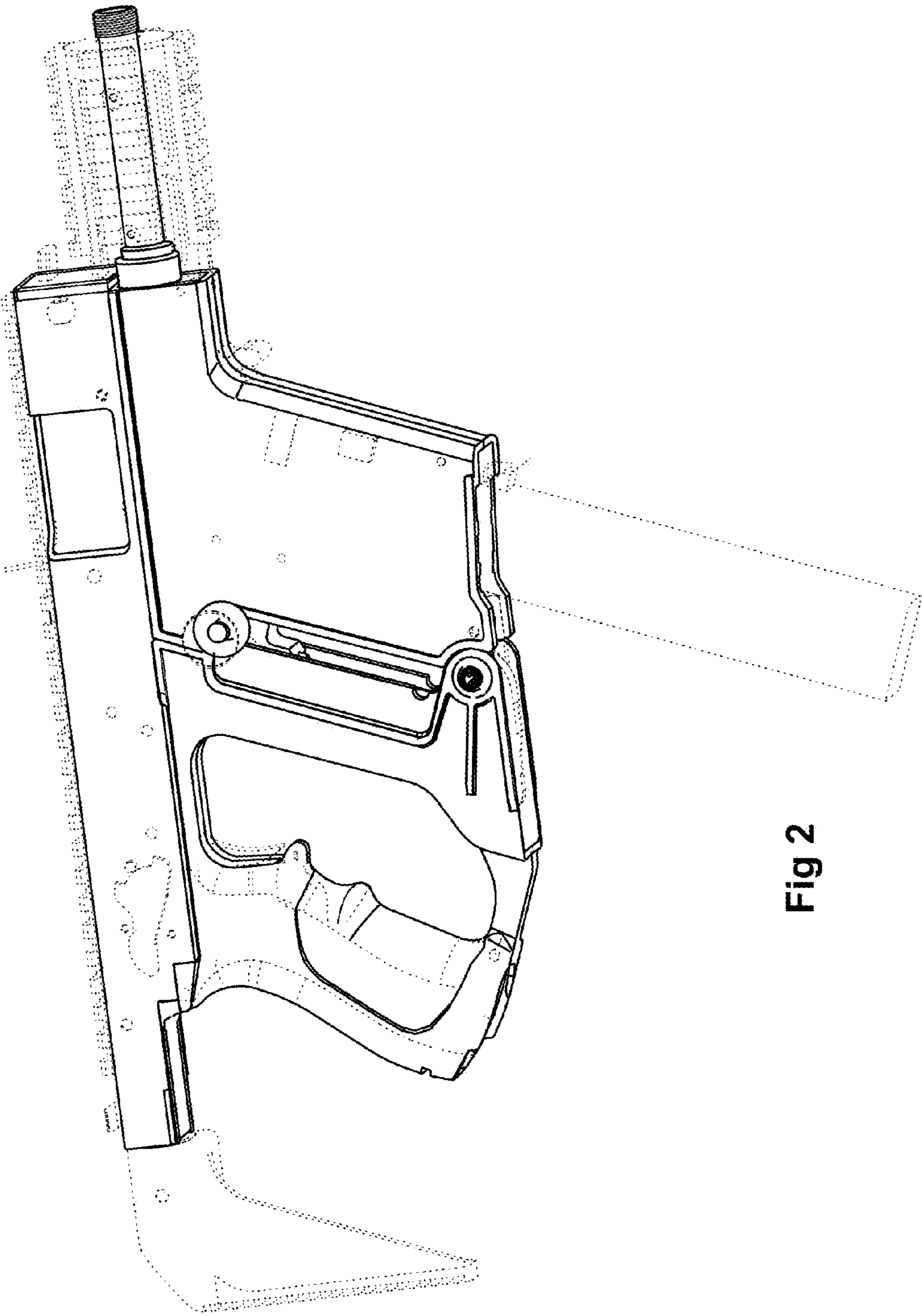


Fig 2

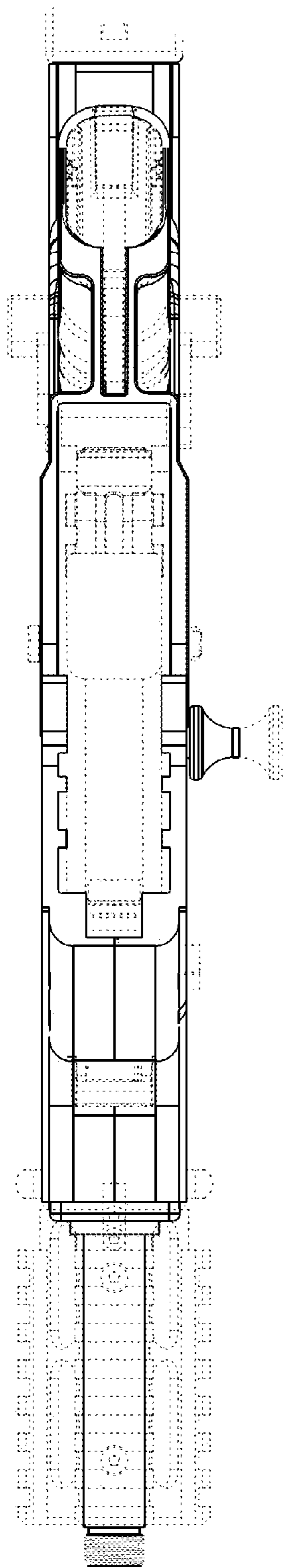


Fig 3

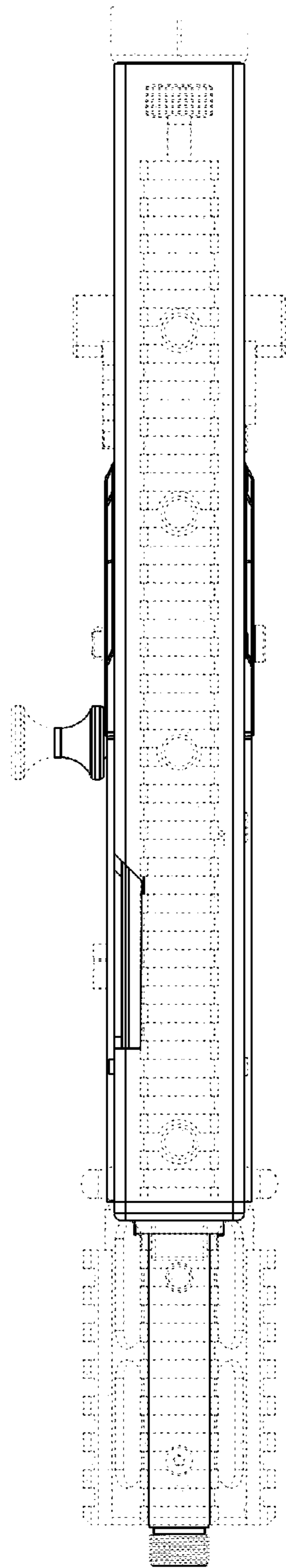


Fig 4

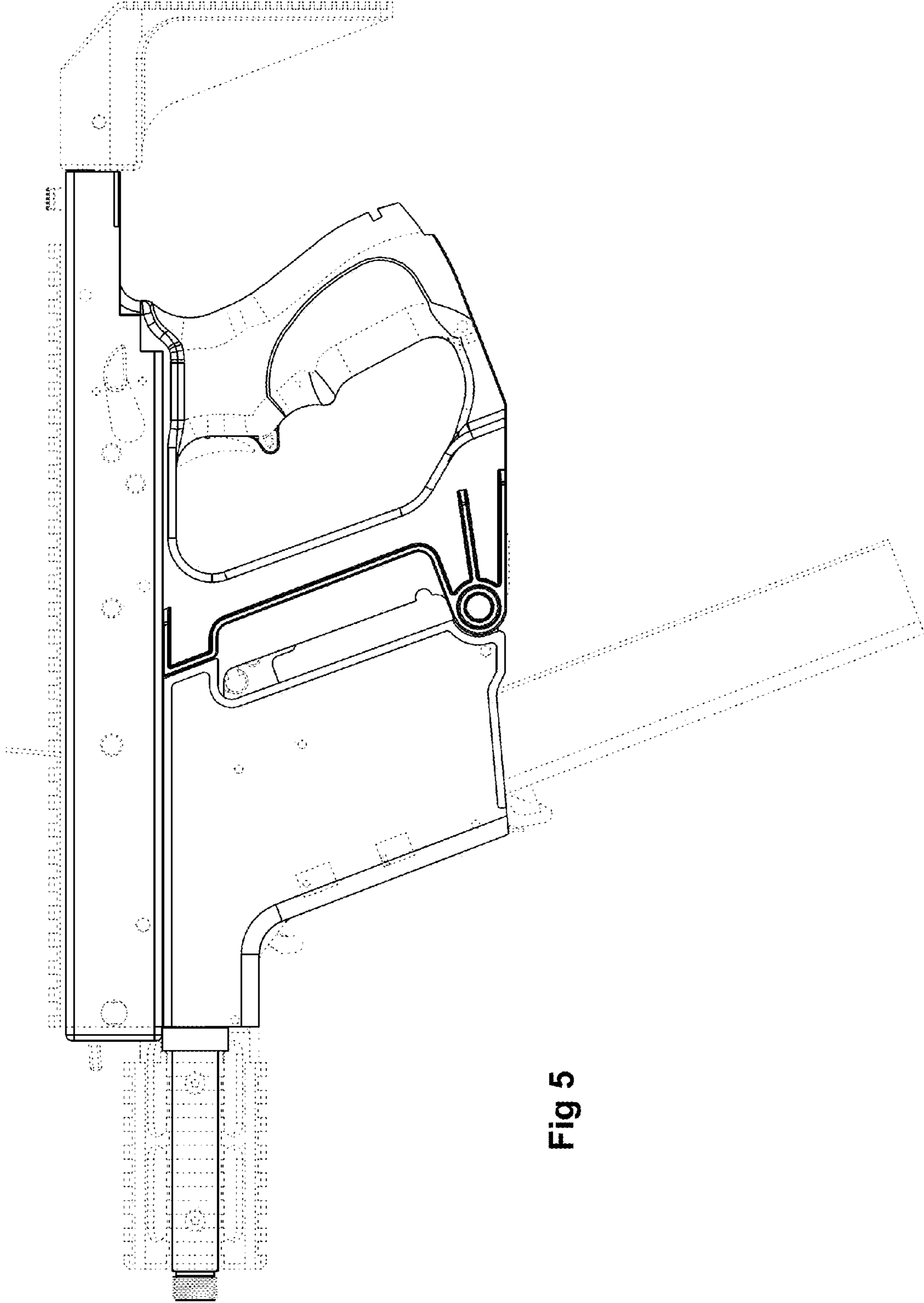


Fig 5

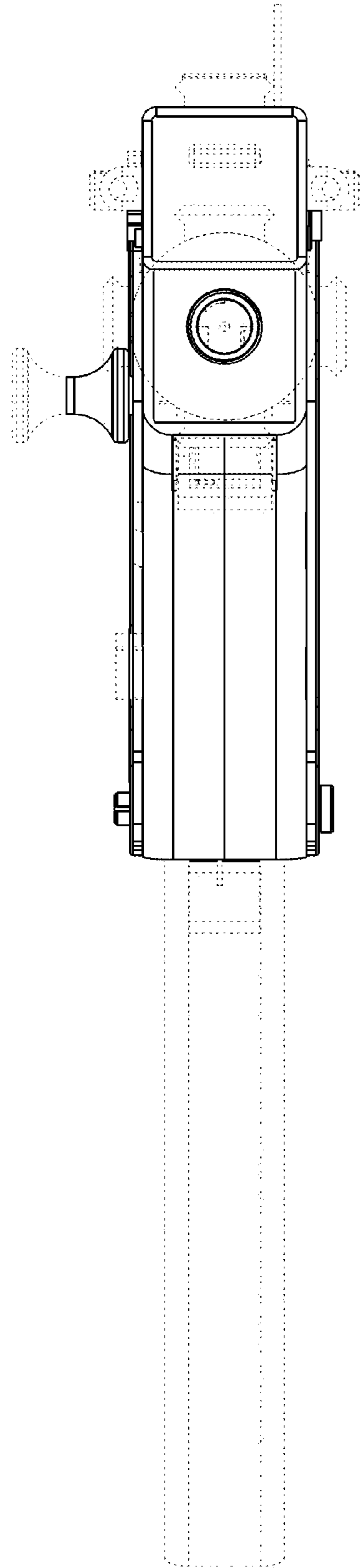


Fig 6