



US00D717898S

(12) **United States Design Patent**
Pfaff et al.

(10) **Patent No.:** **US D717,898 S**

(45) **Date of Patent:** **** Nov. 18, 2014**

(54) **GOLF SWING PLANE ALIGNMENT TOOL**

(71) Applicants: **Wayne K Pfaff**, Irving, TX (US); **David W Pfaff**, Irving, TX (US)

(72) Inventors: **Wayne K Pfaff**, Irving, TX (US); **David W Pfaff**, Irving, TX (US)

(73) Assignee: **Plastronics Socket Partners, Ltd.**, Irving, TX (US)

(**) Term: **14 Years**

(21) Appl. No.: **29/486,513**

(22) Filed: **Mar. 31, 2014**

(51) **LOC (10) Cl.** **21-02**

(52) **U.S. Cl.**
USPC **D21/791**

(58) **Field of Classification Search**
USPC D21/789-791; 473/150, 173, 174, 219,
473/251-257, 278, 265
See application file for complete search history.

(56) **References Cited**

U.S. PATENT DOCUMENTS

3,350,101	A *	10/1967	Bishop et al.	473/265
D277,886	S *	3/1985	Murphy	D21/792
D294,619	S *	3/1988	McCallister	D21/792
D311,568	S *	10/1990	Jacques	D21/791
D338,940	S *	8/1993	Pellington	D21/792
5,275,570	A *	1/1994	Hicks	434/252
5,294,124	A *	3/1994	Florian	473/267
5,443,265	A *	8/1995	Wheeler	473/257
D366,302	S *	1/1996	Marsh et al.	D21/792
D402,347	S *	12/1998	Murphy	D21/792
D402,730	S *	12/1998	Hicks	D21/791
D406,298	S *	3/1999	Murphy	D21/792
D407,773	S *	4/1999	Greig	D21/791
D436,639	S *	1/2001	Haliyo	D21/791

D446,276	S *	8/2001	Bankhead	D21/791
6,840,870	B1 *	1/2005	Froggatte	473/265
D502,241	S *	2/2005	Nevill	D21/791
D504,484	S *	4/2005	Loudon	D21/791
D508,547	S *	8/2005	Llewellyn	D21/791
D524,893	S *	7/2006	Rinaldi	D21/791
D529,568	S *	10/2006	Gauer	D21/791
D596,260	S *	7/2009	Hall, Sr.	D21/792
D632,750	S *	2/2011	Callowhill et al.	D21/791
D641,448	S *	7/2011	Sessions	D21/791
D670,348	S *	11/2012	Jacobson	D21/791
D692,512	S *	10/2013	Fanfelle	D21/791

* cited by examiner

Primary Examiner — Mitchell Siegel

(74) *Attorney, Agent, or Firm* — Mark W Handley

(57) **CLAIM**

The ornamental design for an golf swing plane alignment tool, as shown and described.

DESCRIPTION

FIG. 1 is a perspective view of a golf swing plane alignment tool embodying my design;

FIG. 2 is a front view of the golf swing plane alignment tool;

FIG. 3 is a rear view of the golf swing plane alignment tool;

FIG. 4 is a right side view of the golf swing plane alignment tool;

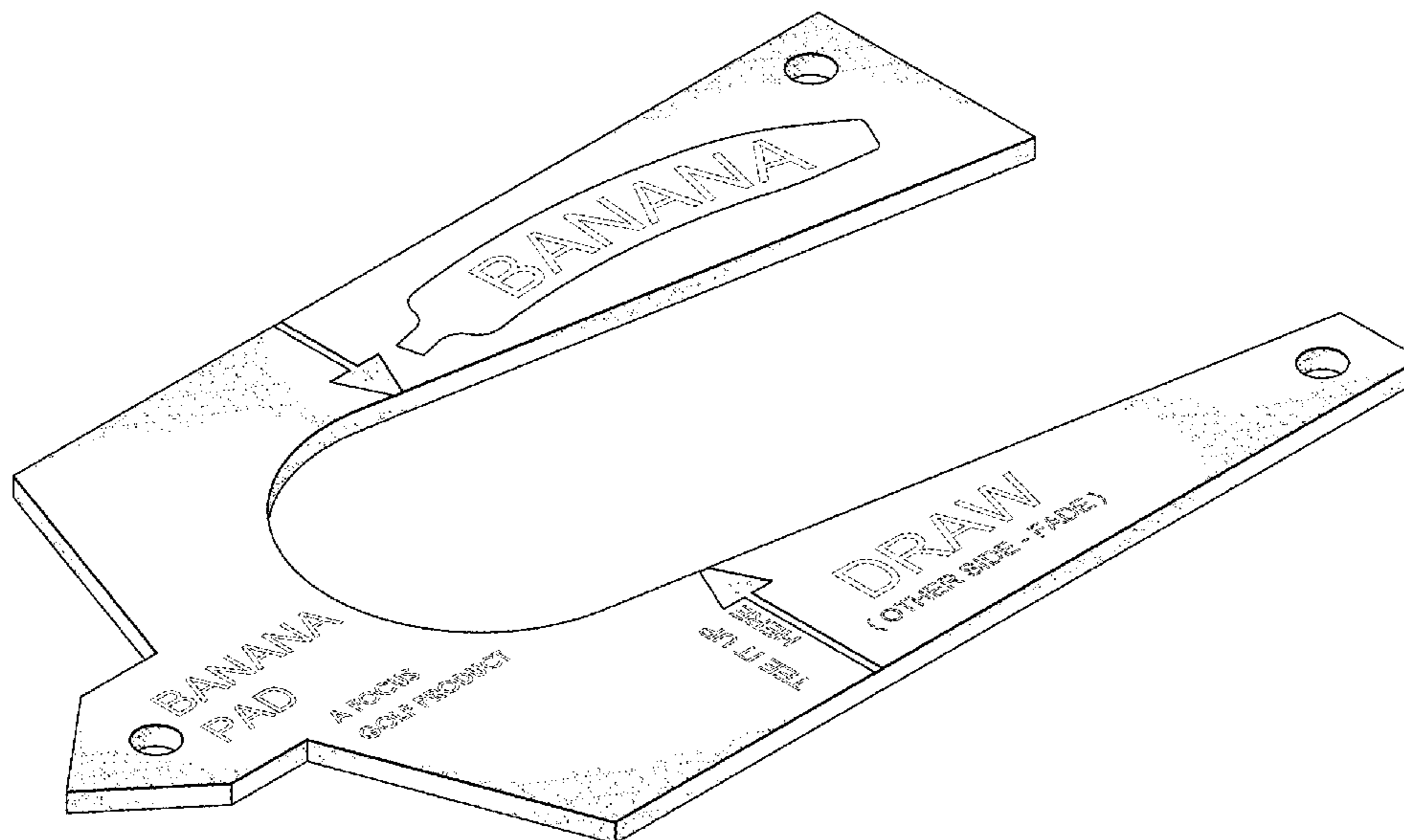
FIG. 5 is a left side view of the golf swing plane alignment tool;

FIG. 6 is a top view of the golf swing plane alignment tool; and,

FIG. 7 is a bottom view of the golf swing plane alignment tool.

The textual matter shown in broken lines in FIGS. 1, 6 and 7 illustrate the environment in which the claimed design is used. None of the broken-line matter forms a part of the claimed design.

1 Claim, 4 Drawing Sheets



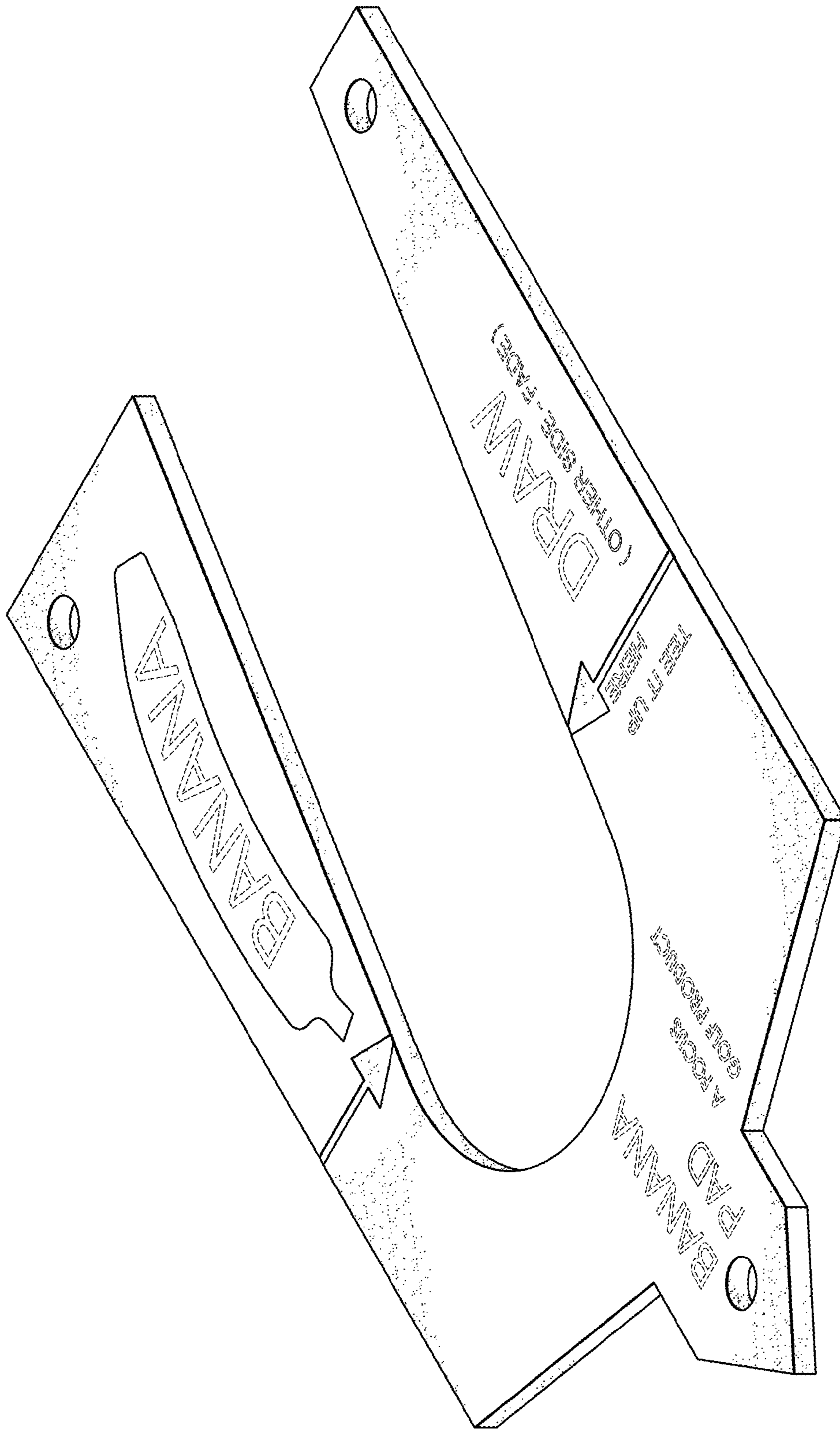


FIG. 1



FIG. 2



FIG. 3



FIG. 4



FIG. 5

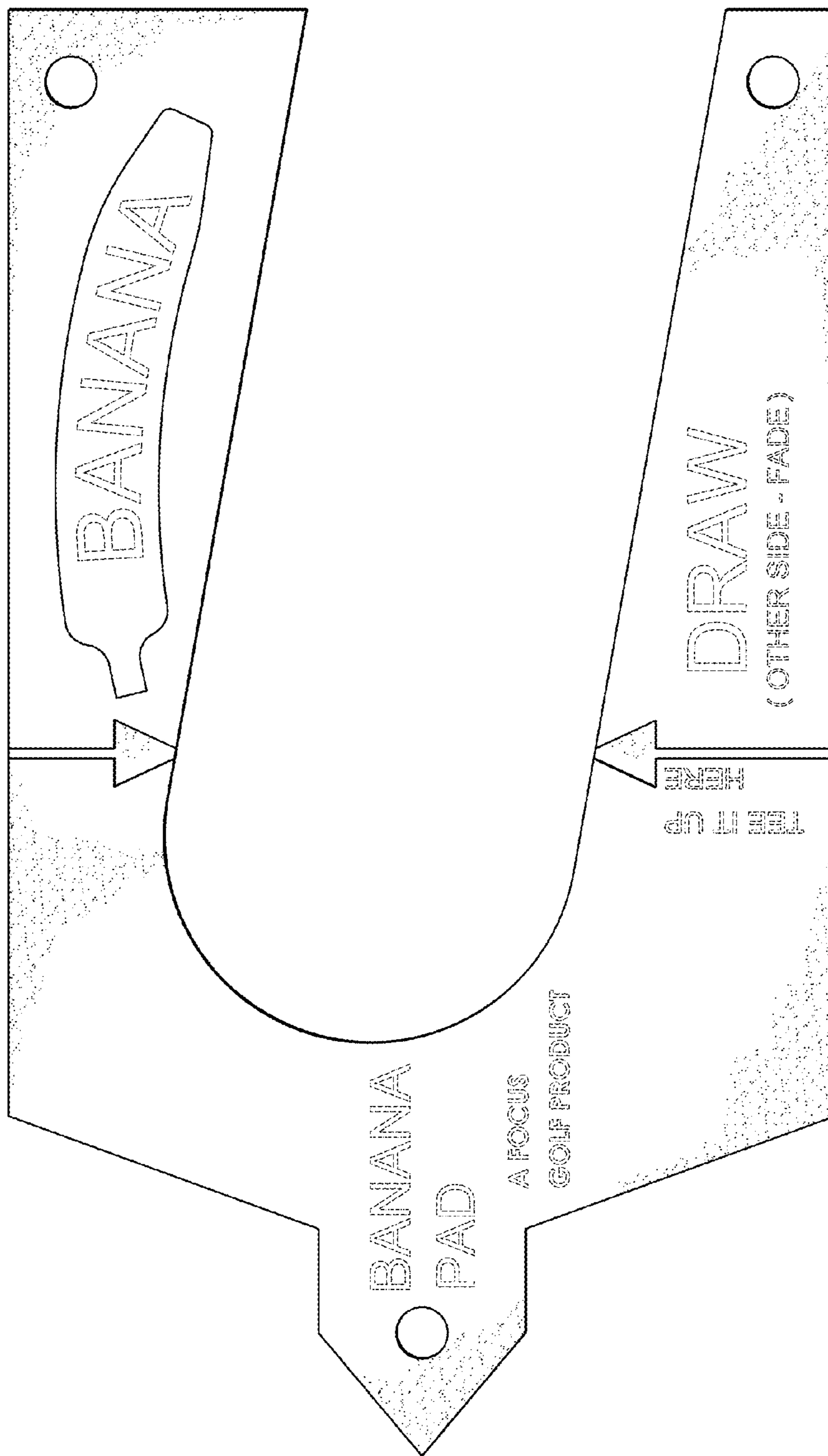


FIG. 6

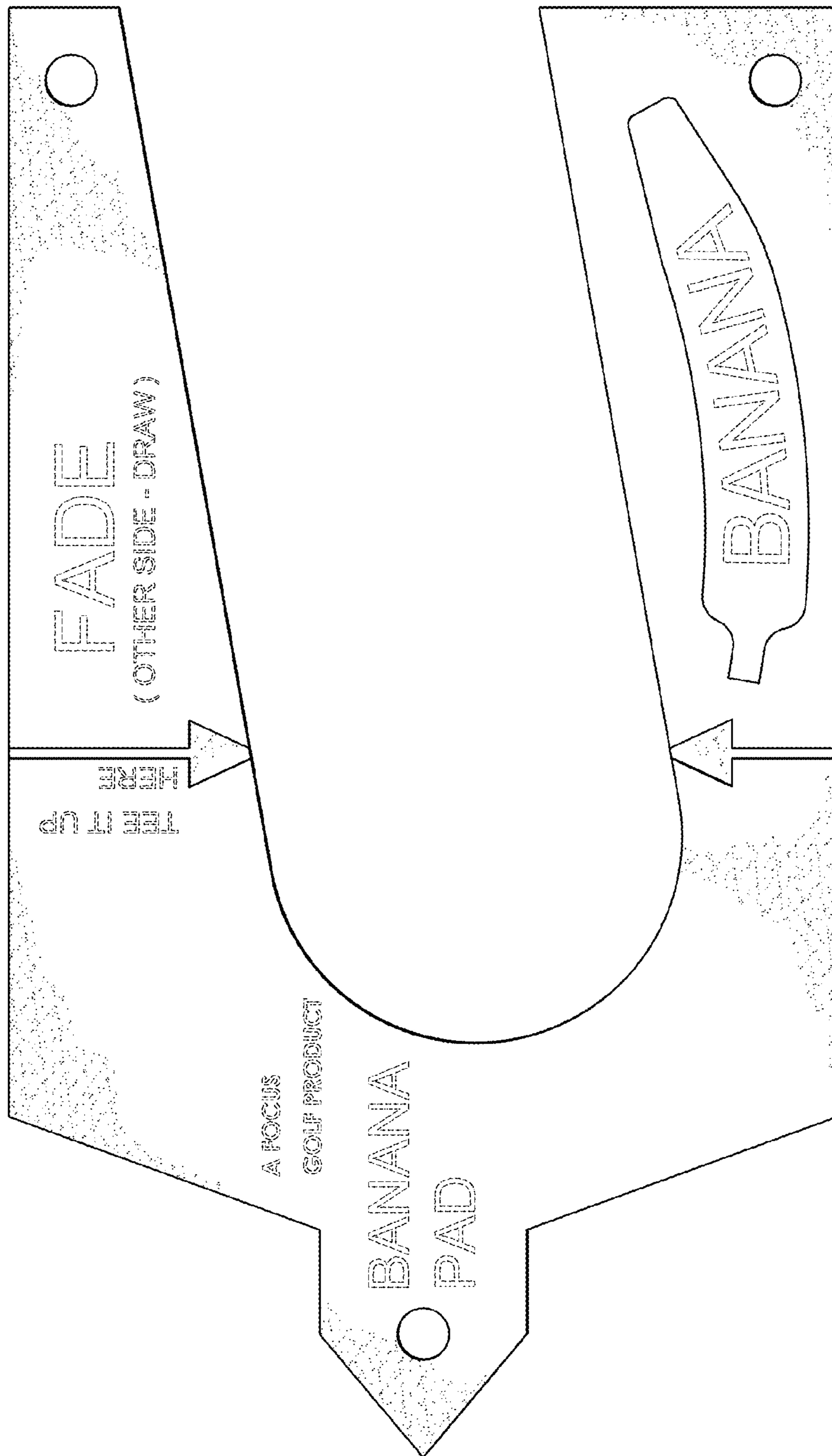


FIG. 7