



US00D717897S

(12) **United States Design Patent**
Spehar

(10) **Patent No.:** **US D717,897 S**

(45) **Date of Patent:** **** Nov. 18, 2014**

(54) **SKI TRAINING APPARATUS**

(71) Applicant: **Joseph C. Spehar**, Springfield, VA (US)

(72) Inventor: **Joseph C. Spehar**, Springfield, VA (US)

(**) Term: **14 Years**

(21) Appl. No.: **29/467,799**

(22) Filed: **Sep. 24, 2013**

(51) **LOC (10) Cl.** **21-02**

(52) **U.S. Cl.**

CPC **A63B 69/18** (2013.01)

USPC **D21/775**

(58) **Field of Classification Search**

CPC **A63B 69/18**

USPC **D21/771, 775; D3/7, 12, 16, 5, 6;**

280/819-824; 16/430, 421; 135/76

See application file for complete search history.

(56) **References Cited**

U.S. PATENT DOCUMENTS

3,885,805	A *	5/1975	Solymosi	280/606
4,214,382	A	7/1980	Matsutani		
4,445,866	A	5/1984	Cillieres		
4,505,681	A	3/1985	Jones		
4,993,704	A *	2/1991	Luczynski	482/70
5,074,795	A	12/1991	Clark		
5,120,227	A	6/1992	Born		

5,378,156	A	1/1995	Rohe		
8,235,423	B2	8/2012	Starry		
8,585,562	B2 *	11/2013	Chen	482/71
2006/0073942	A1 *	4/2006	Yang	482/53
2012/0058865	A1 *	3/2012	Scimone	482/129
2013/0095982	A1 *	4/2013	Chen	482/71

* cited by examiner

Primary Examiner — Zenia Bennett

(74) *Attorney, Agent, or Firm* — Dale J. Ream

(57) **CLAIM**

The ornamental design for a ski training apparatus, as shown and described.

DESCRIPTION

FIG. 1 is a perspective view of a ski training apparatus showing my new design;

FIG. 2 is a front view thereof;

FIG. 3 is a back view thereof;

FIG. 4 is a left side view thereof;

FIG. 5 is a right side view thereof;

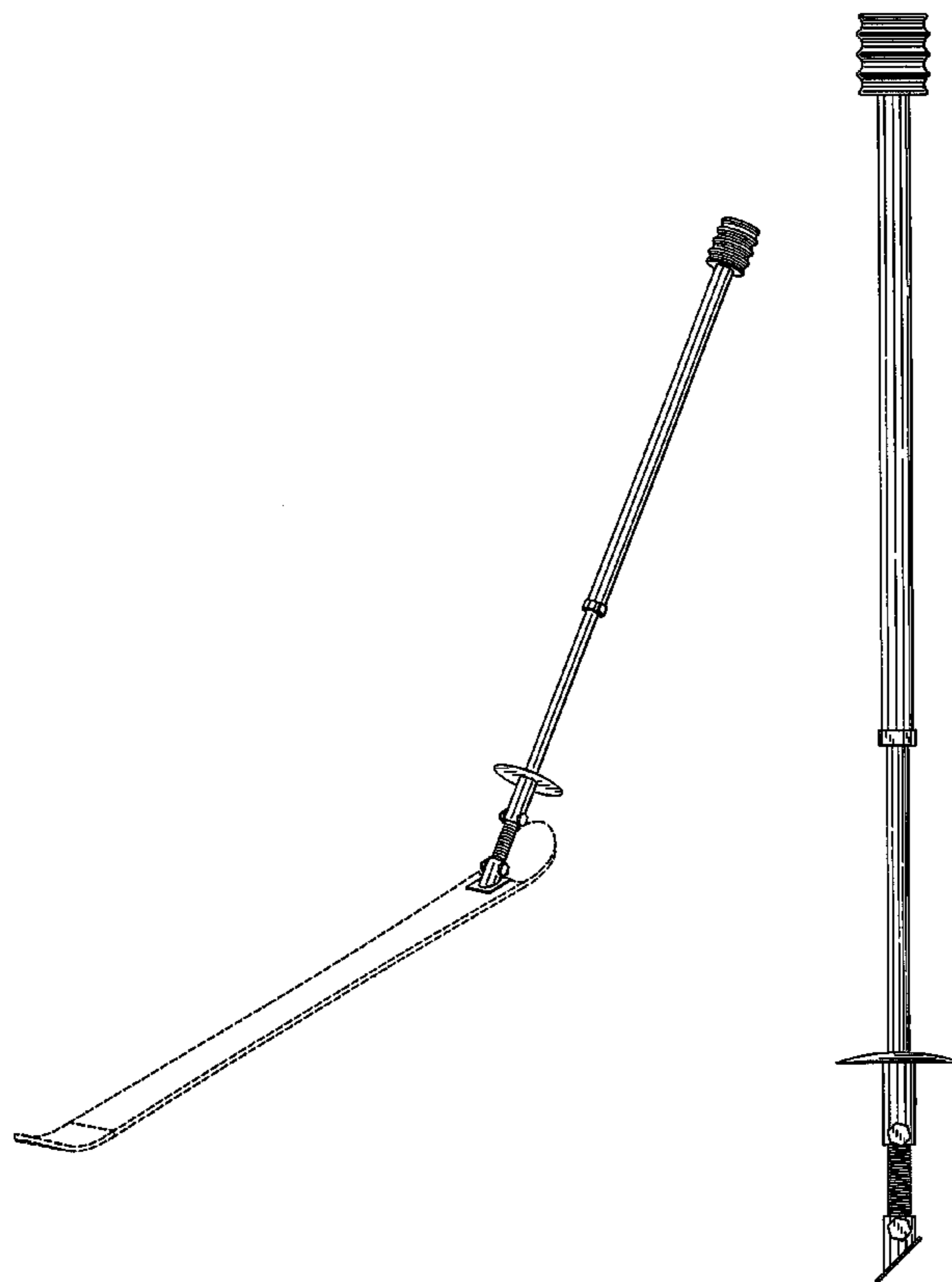
FIG. 6 is a top view thereof;

FIG. 7 is a bottom view thereof; and,

FIG. 8 is an isolated view on an enlarged scale taken from FIG. 2 of the ski training apparatus.

In the drawings, the broken lines showing a ski illustrate environment and form no part of the claimed design.

1 Claim, 4 Drawing Sheets



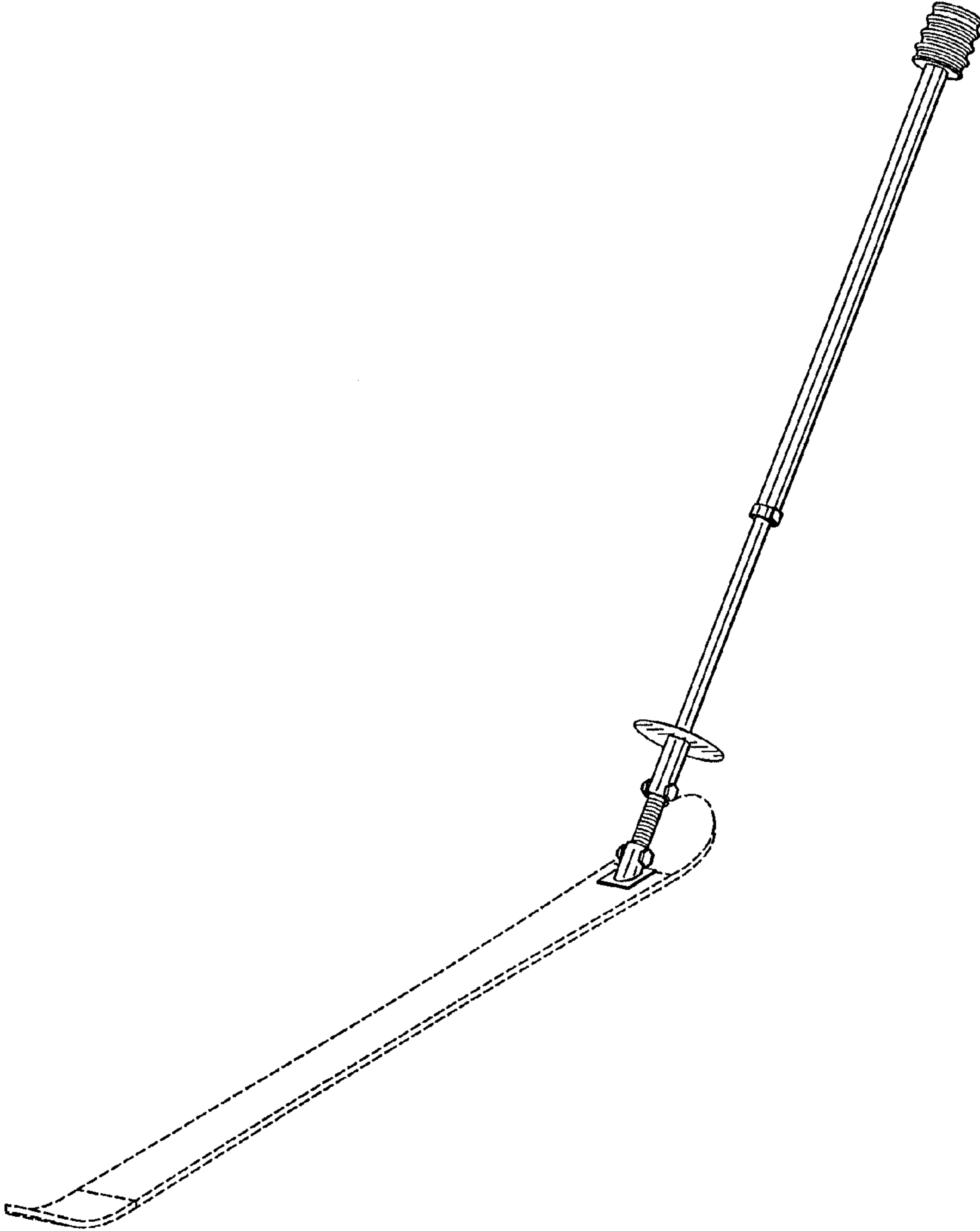


FIG. 1

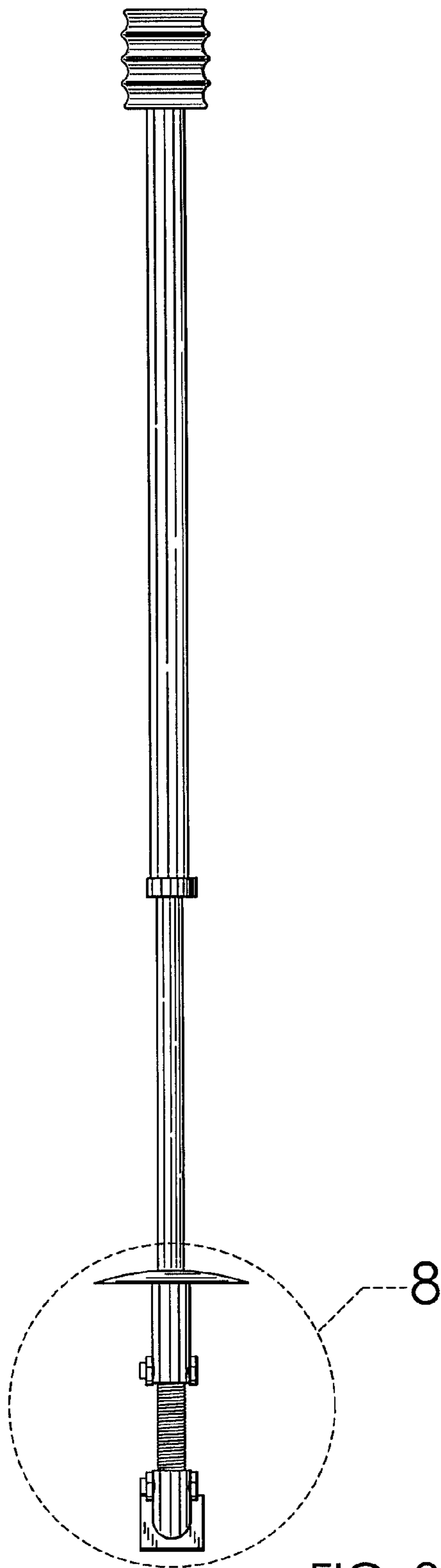


FIG. 2

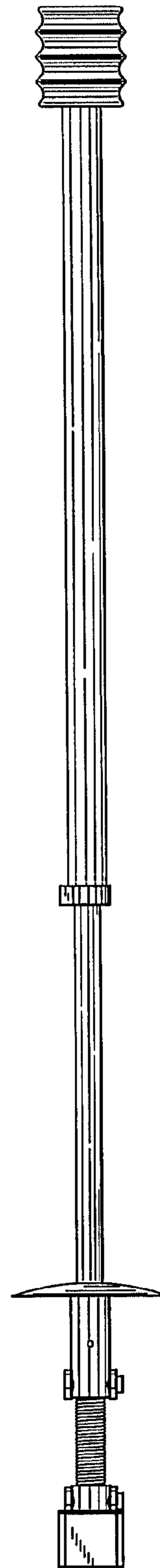


FIG. 3

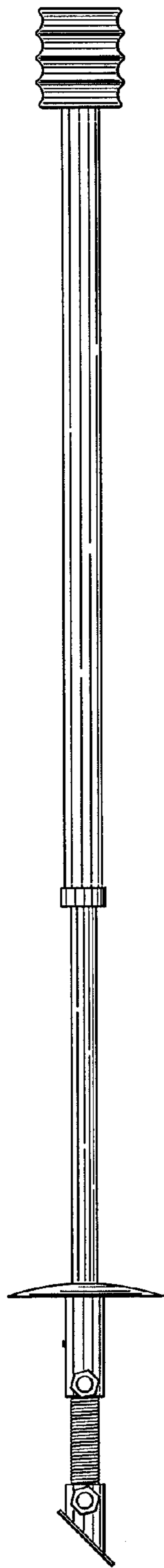


FIG. 4

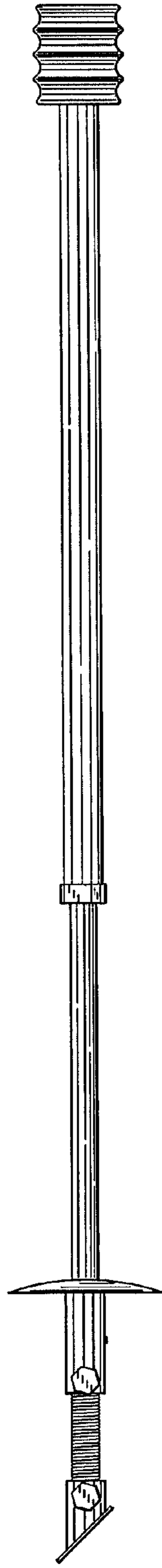


FIG. 5

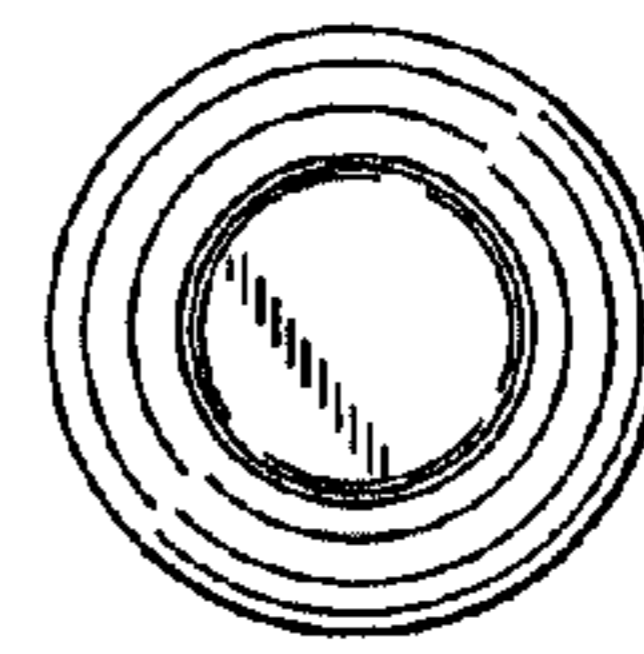


FIG. 6

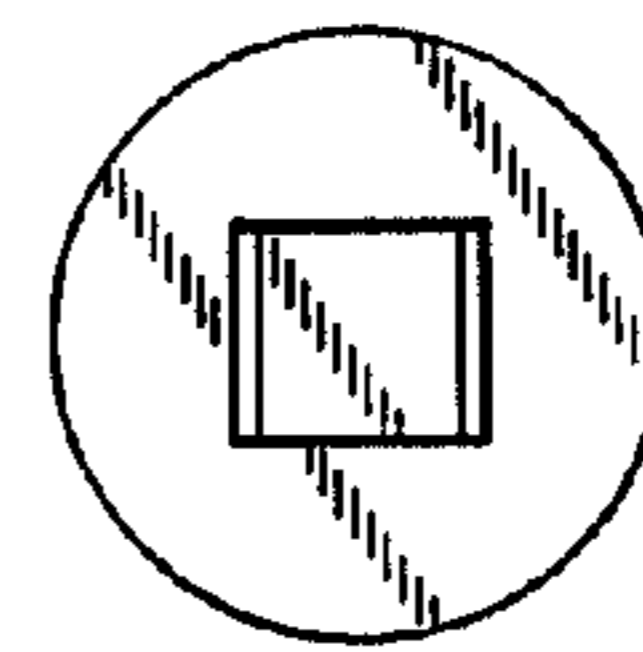


FIG. 7

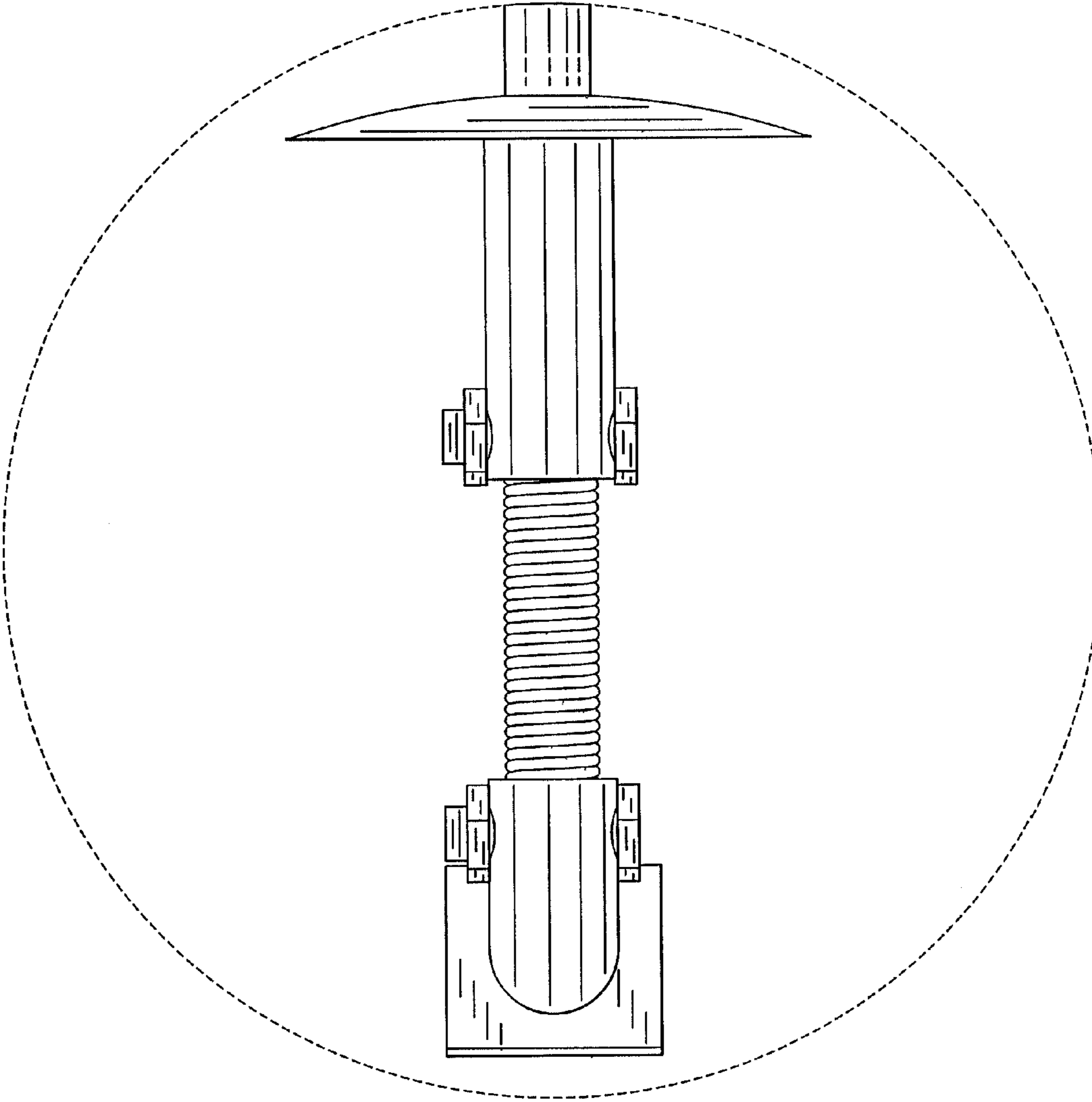


FIG. 8