



US00D717889S

(12) **United States Design Patent**  
**Alessandri et al.**

(10) **Patent No.:** **US D717,889 S**  
(45) **Date of Patent:** **\*\* Nov. 18, 2014**

- (54) **EXERCISE BICYCLE**
- (71) Applicant: **Technogym S.p.A.**, Gambettola (IT)
- (72) Inventors: **Nerio Alessandri**, Longiano (IT);  
**Simone Servadei**, Modigliana (IT);  
**Mario Fedriga**, Forli (IT)
- (73) Assignee: **Technogym S.p.A.**, Gambettola (FC)  
(IT)
- (\*\*) Term: **14 Years**
- (21) Appl. No.: **29/445,746**
- (22) Filed: **Feb. 15, 2013**

5,263,915 A	11/1993	Habing	
D353,422 S *	12/1994	Bostic et al.	D21/665
D355,684 S	2/1995	Rawls et al.	
5,417,633 A	5/1995	Habing	
D362,281 S	9/1995	Warehime et al.	
5,514,060 A	5/1996	Hu	
D392,352 S *	3/1998	Hill et al.	D21/663
5,865,711 A *	2/1999	Chen	482/57
6,132,347 A	10/2000	Alessandri	
6,152,864 A	11/2000	Giannelli	
6,171,219 B1	1/2001	Simonson	
D439,939 S	4/2001	Batca	
D445,853 S	7/2001	Batca et al.	
D457,580 S	5/2002	Webber	
6,422,980 B1	7/2002	Simonson	

(Continued)

- (30) **Foreign Application Priority Data**
- Aug. 16, 2012 (EM) ..... 002088559-0017
- (51) **LOC (10) Cl.** ..... **21-02**
- (52) **U.S. Cl.**
- USPC ..... **D21/663**
- (58) **Field of Classification Search**
- CPC ..... A63B 22/06; A63B 22/08; A63B 22/012
- USPC ..... D21/662, 663, 664, 665, 666, 667, 668,  
D21/671, 672; 482/51, 57, 58, 59, 60
- See application file for complete search history.

(56) **References Cited**  
U.S. PATENT DOCUMENTS

D204,397 S	4/1966	Marcyan et al.	
3,640,528 A	2/1972	Proctor	
D260,542 S	9/1981	Lambert, Jr.	
D262,813 S	1/1982	Lambert, Jr. et al.	
D298,641 S *	11/1988	Sheltra	D21/666
D306,892 S *	3/1990	Pitzen et al.	D21/665
D321,024 S	10/1991	Brentham	
5,054,773 A	10/1991	Parviainen	

**OTHER PUBLICATIONS**

Notice of Allowance mailed on Jul. 11, 2013 for U.S. Appl. No. 29/445,738, filed Feb. 15, 2013 in the name of Nerio Alessandri et al.

(Continued)

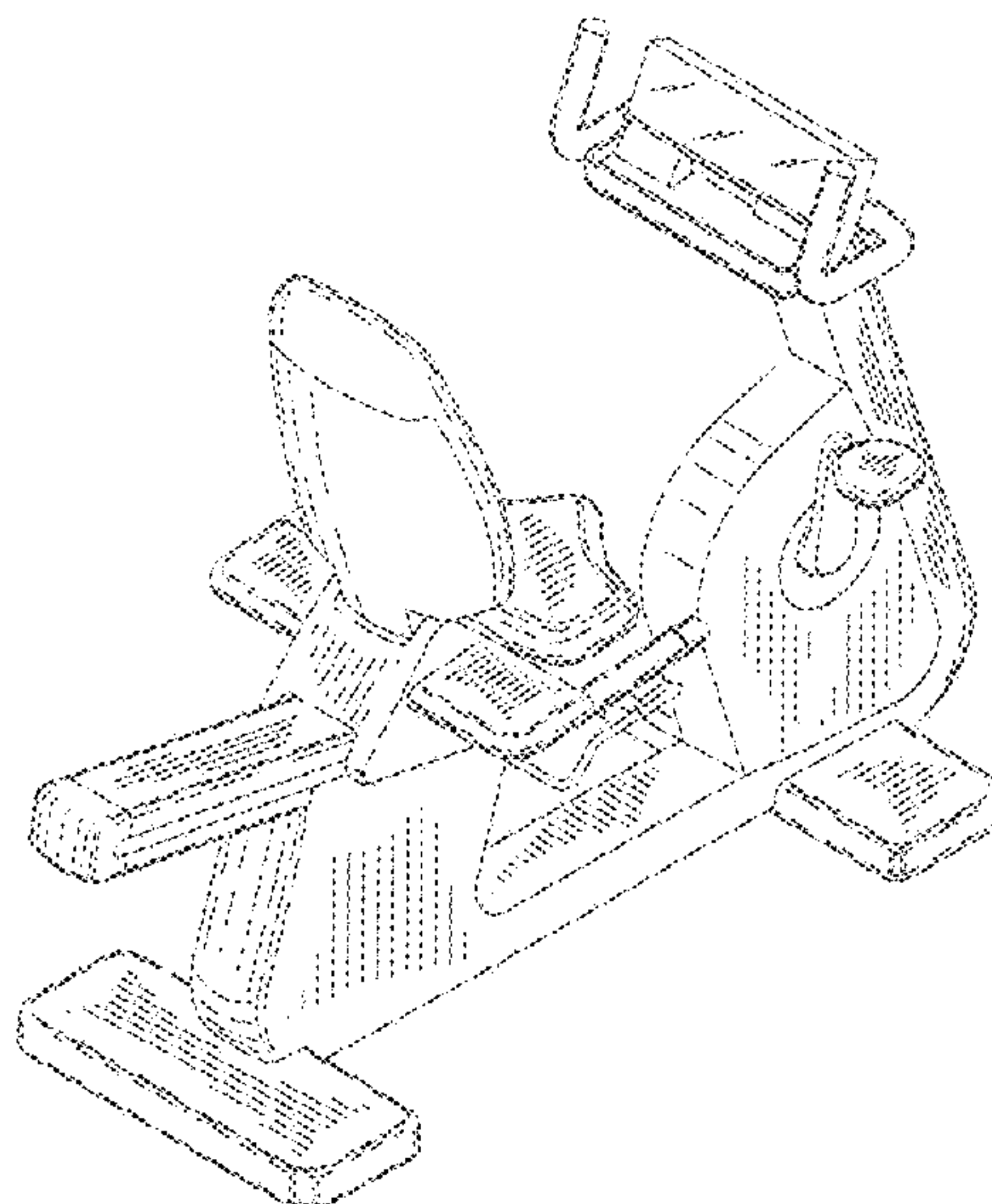
*Primary Examiner* — Phillip S Hyder  
(74) *Attorney, Agent, or Firm* — Steinfl & Bruno, LLP

(57) **CLAIM**  
The ornamental design for an exercise bicycle, as shown and described.

**DESCRIPTION**

FIG. 1 is a top, rear and side perspective view of the exercise bicycle.  
FIG. 2 is a front view of the exercise bicycle.  
FIG. 3 is a rear view of the exercise bicycle.  
FIG. 4 is a right side view of the exercise bicycle.  
FIG. 5 is a left side view of the exercise bicycle; and,  
FIG. 6 is a top view of the exercise bicycle.

**1 Claim, 6 Drawing Sheets**



(56)

**References Cited**

U.S. PATENT DOCUMENTS

6,477,430 B1 11/2002 Feuersanger  
 D472,945 S 4/2003 Panatta  
 D491,237 S 6/2004 Giannelli et al.  
 D493,854 S 8/2004 Grider  
 D511,189 S 11/2005 Panatta  
 D513,287 S 12/2005 Panatta  
 D513,288 S 12/2005 Panatta  
 D516,140 S 2/2006 Panatta  
 D516,142 S 2/2006 Panatta  
 D517,134 S 3/2006 Panatta  
 D520,085 S 5/2006 Willardon et al.  
 D523,496 S 6/2006 Grider  
 7,108,641 B2 9/2006 Pertegaz-Esteban  
 7,128,695 B2 10/2006 Panatta  
 7,364,535 B1 4/2008 Rosenow et al.  
 7,445,583 B2\* 11/2008 Chen ..... 482/57  
 D599,418 S 9/2009 Fenster et al.  
 7,608,024 B2 10/2009 Sechrest et al.  
 7,654,938 B2 2/2010 Webber et al.  
 D612,437 S 3/2010 Fenster  
 D613,350 S 4/2010 Fenster  
 7,717,833 B1 5/2010 Nelson et al.  
 7,766,803 B2 8/2010 Carter

7,775,945 B2 8/2010 Smith  
 7,905,819 B2 3/2011 Alessandri et al.  
 7,909,742 B2 3/2011 Ish, III  
 7,955,235 B2 6/2011 Keiser  
 D647,981 S \* 11/2011 Chen ..... D21/663  
 D650,870 S \* 12/2011 Citterio ..... D21/663  
 8,177,693 B2 5/2012 Webber et al.  
 8,262,543 B1 9/2012 Batca  
 D672,827 S \* 12/2012 Alessandri et al. .... D21/663  
 D675,266 S 1/2013 Alessandri et al.  
 D679,764 S 4/2013 Alessandri et al.  
 D692,967 S 11/2013 Alessandri et al.  
 D692,968 S 11/2013 Alessandri et al.  
 D692,971 S 11/2013 Alessandri et al.  
 D692,972 S 11/2013 Alessandri et al.  
 2002/0035017 A1 3/2002 Pertegaz-Esteban

OTHER PUBLICATIONS

Notice of Allowance mailed on Jul. 17, 2013 for U.S. Appl. No. 29/445,739, filed Feb. 15, 2013 in the name of Nerio Alessandri et al.  
 Notice of Allowance mailed on Jul. 22, 2013 for U.S. Appl. No. 29/445,740, filed Feb. 15, 2013 in the name of Nerio Alessandri et al.  
 Notice of Allowance mailed on Jul. 11, 2013 for U.S. Appl. No. 29/445,743, filed Feb. 15, 2013 in the name of Nerio Alessandri et al.

\* cited by examiner

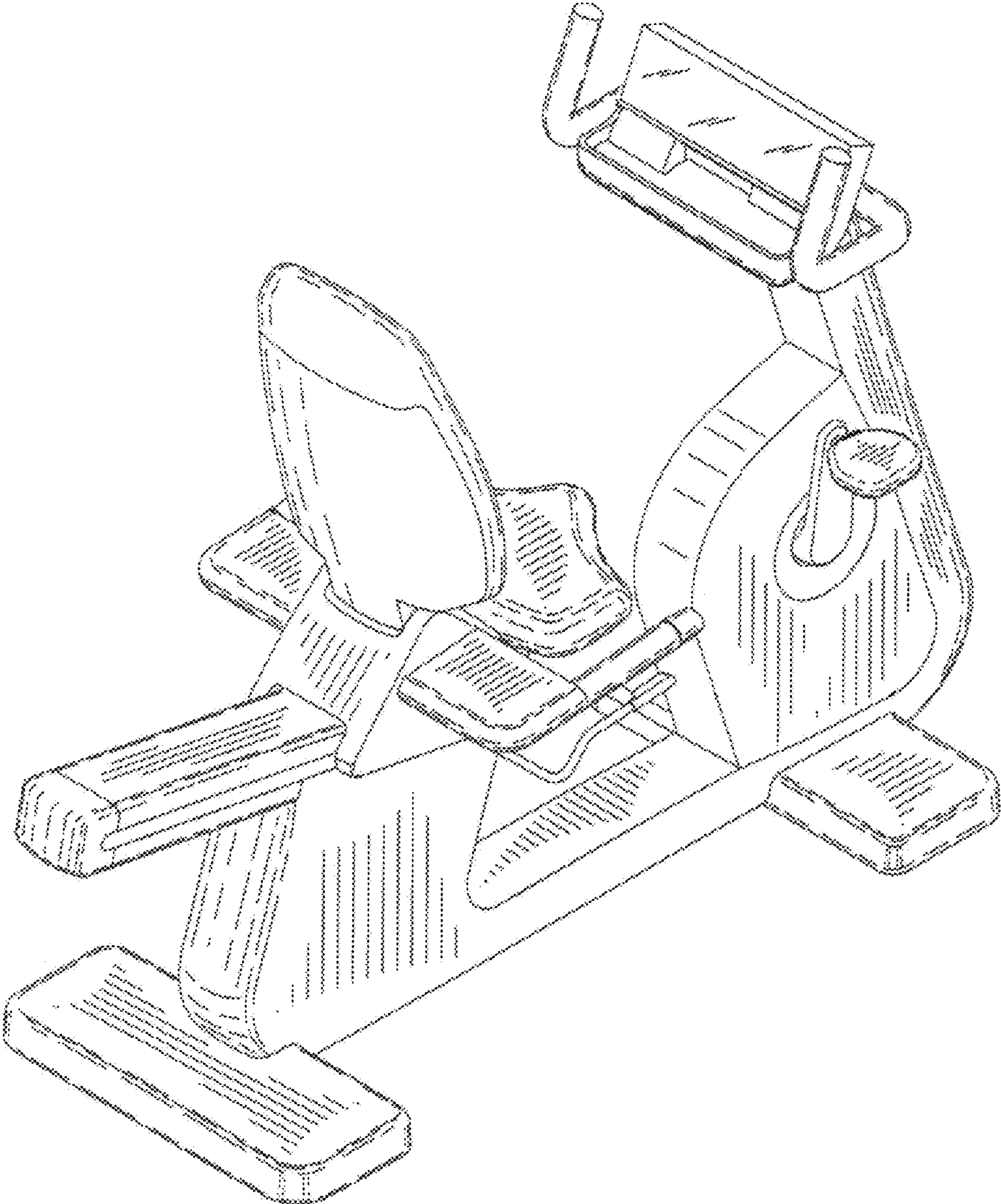


Fig. 1



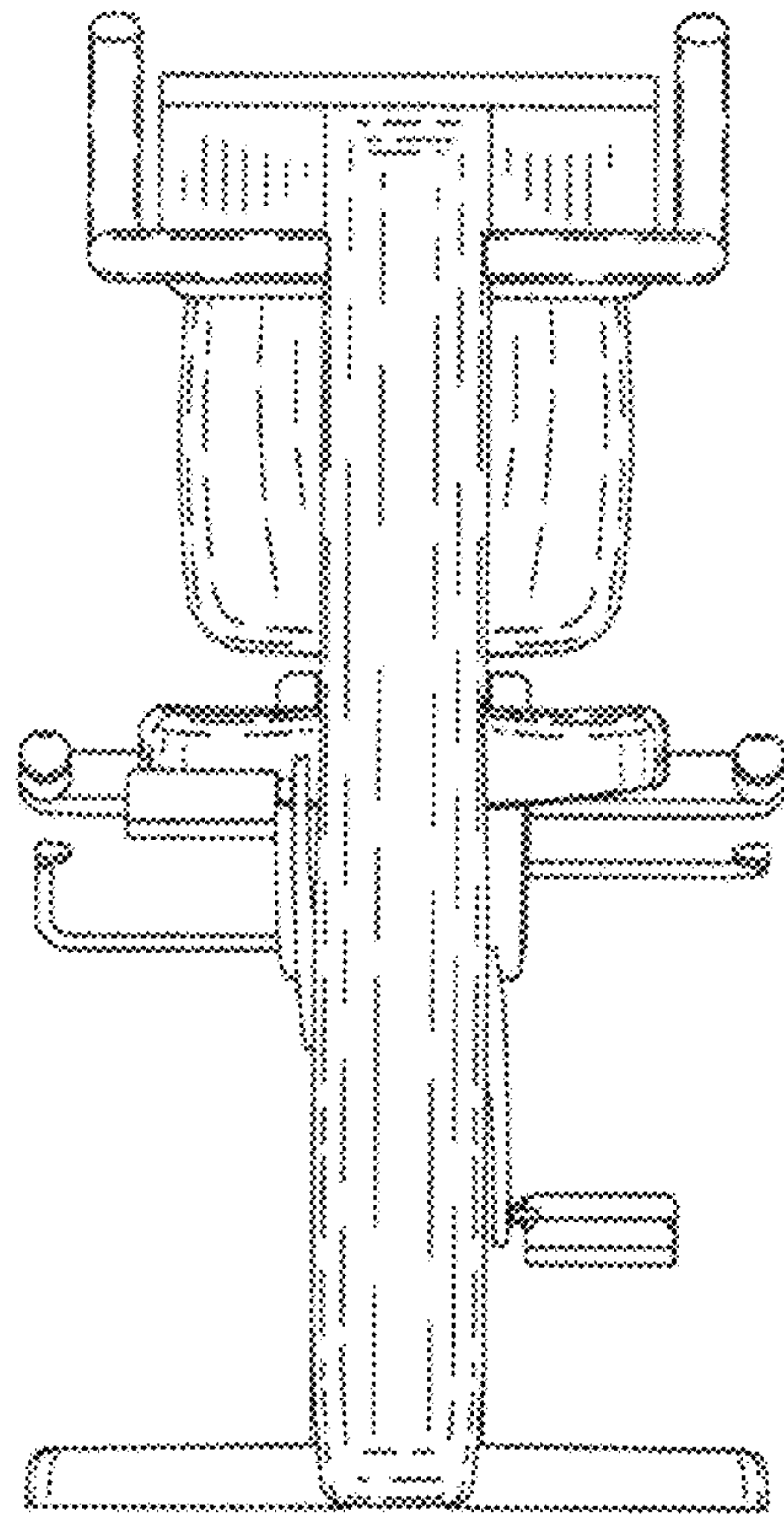


Fig. 2

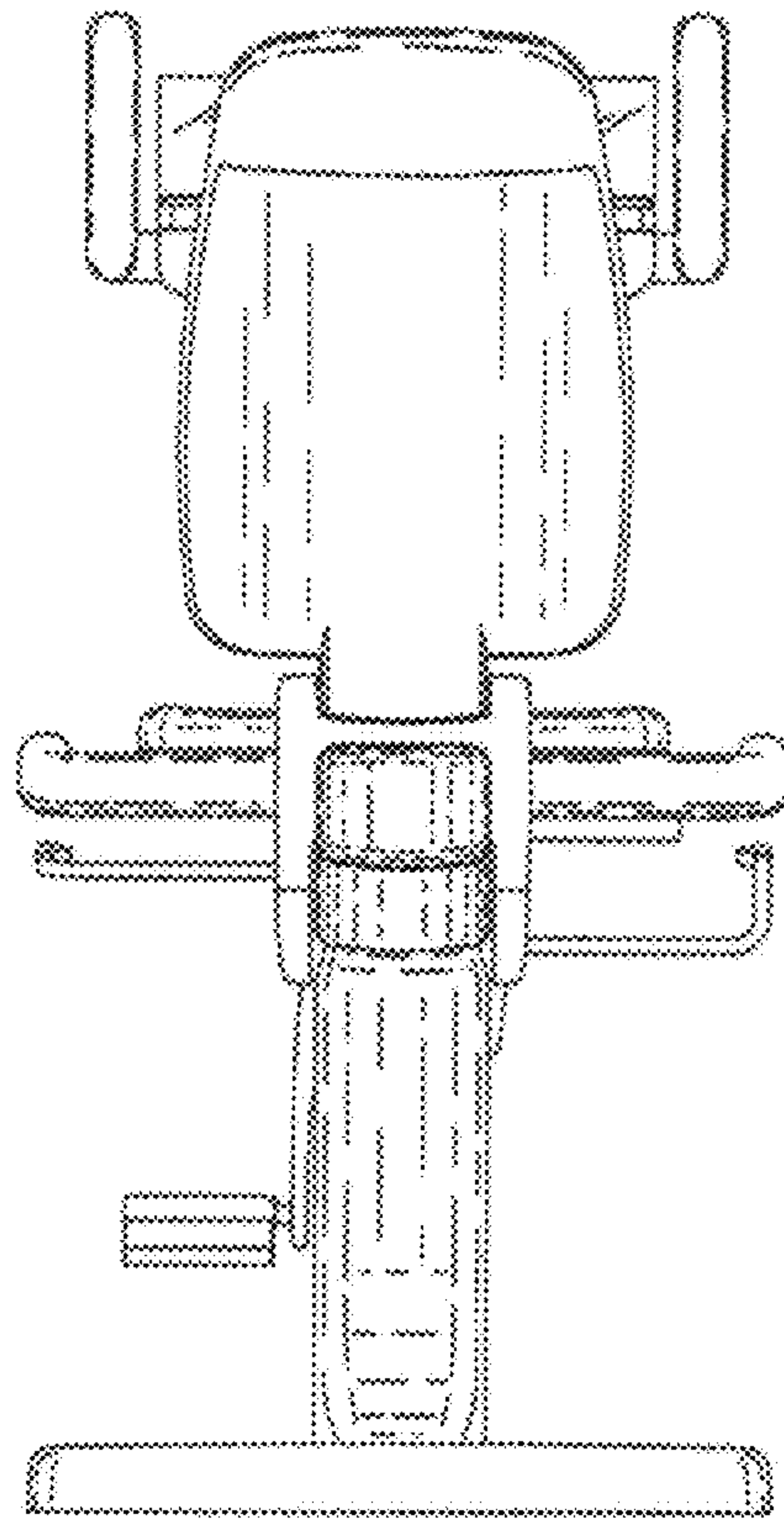


Fig. 3

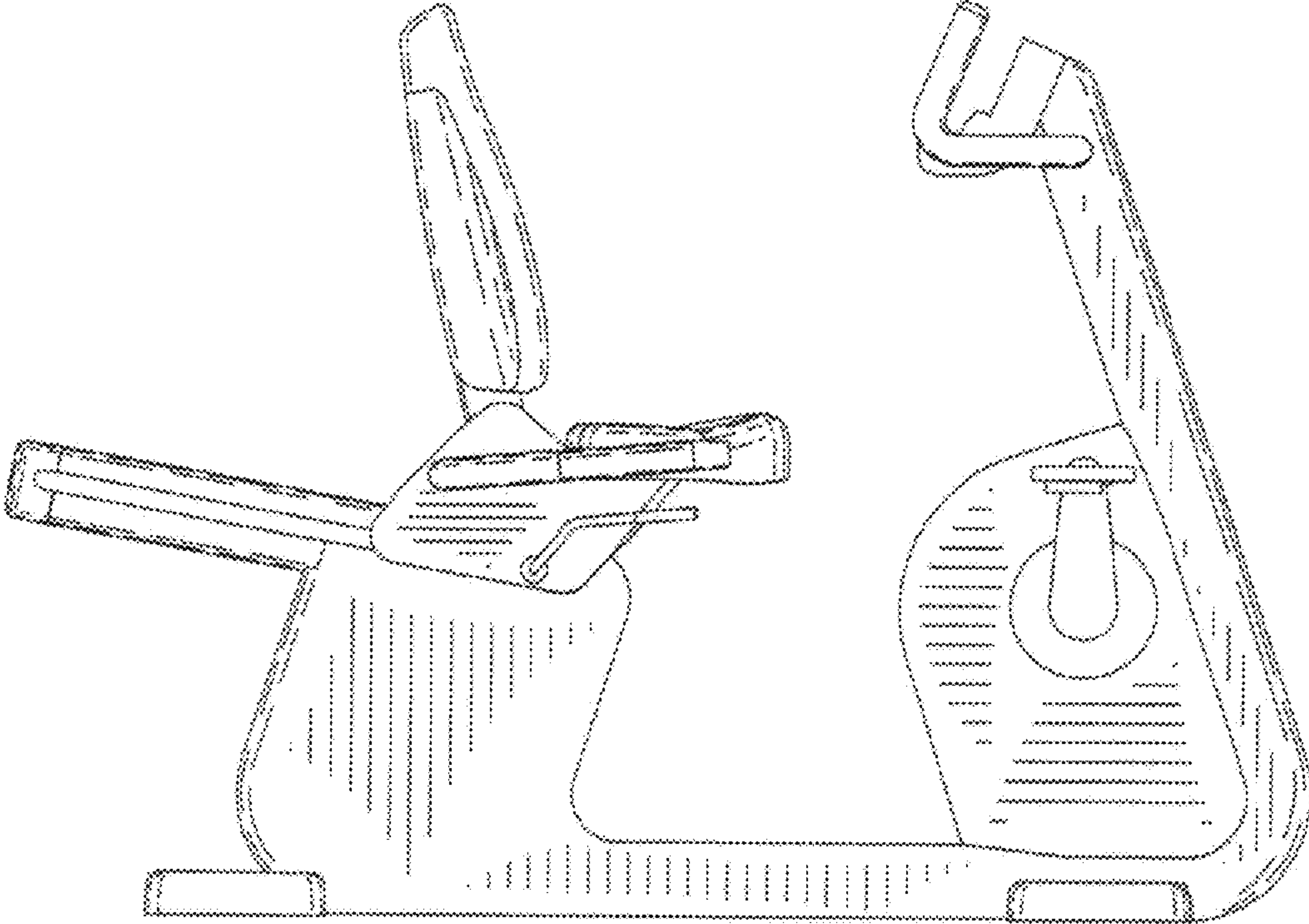


Fig. 4

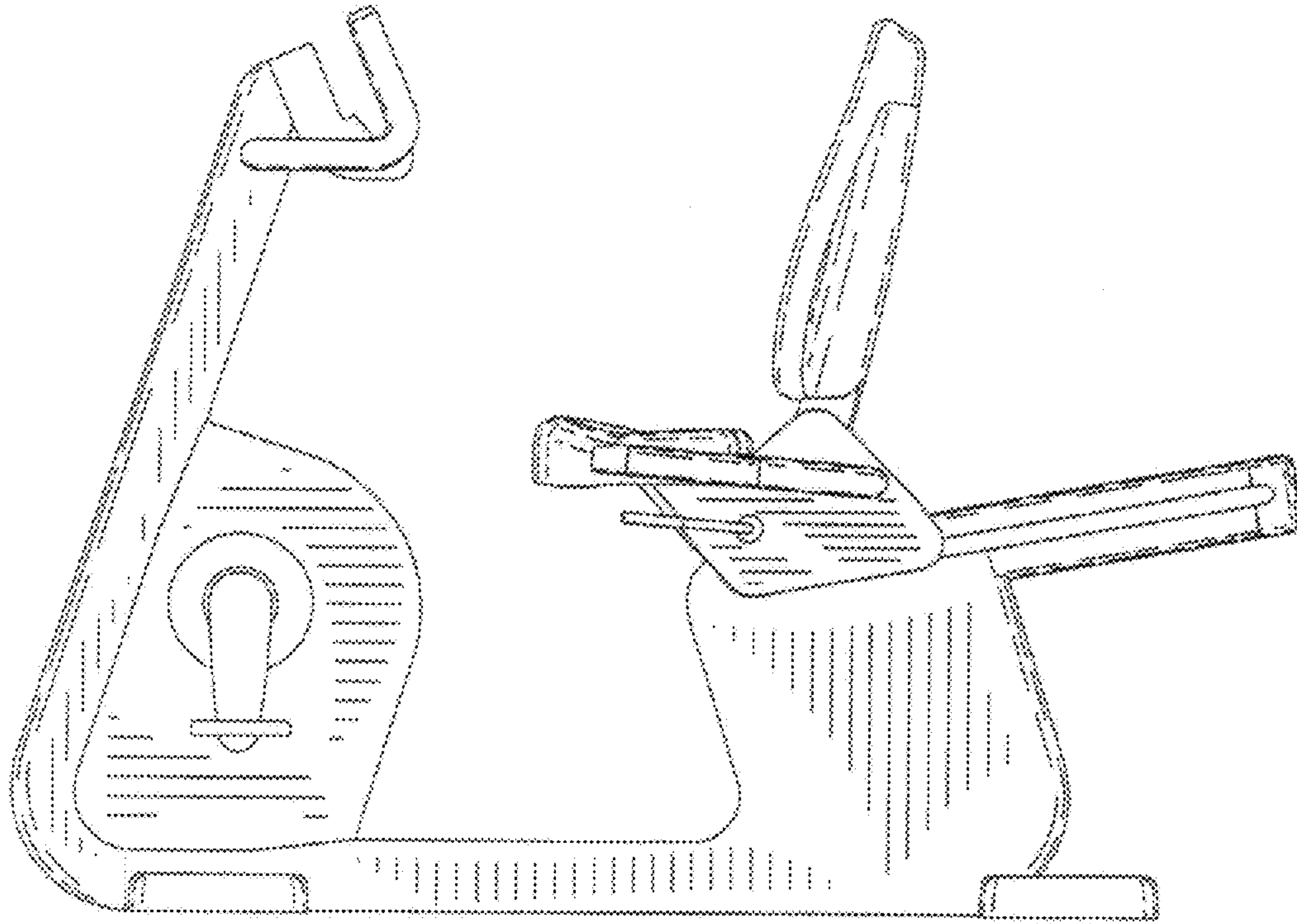


Fig. 5

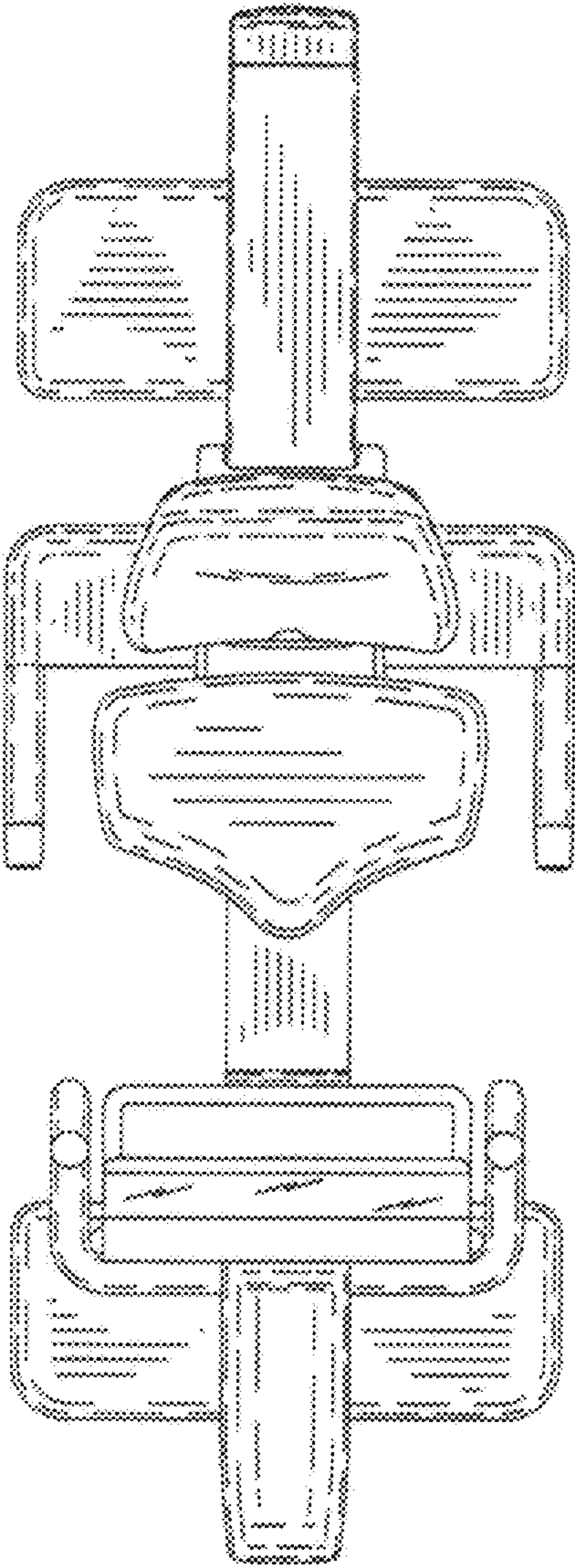


Fig. 6