



US00D717886S

(12) **United States Design Patent**  
**Mimlitch, III et al.**

(10) **Patent No.:** **US D717,886 S**  
(45) **Date of Patent:** **\*\* Nov. 18, 2014**

(54) **TOY POLICE CAR**

FOREIGN PATENT DOCUMENTS

(75) Inventors: **Robert H. Mimlitch, III**, Rowlett, TX (US); **David Anthony Norman**, Greenville, TX (US); **Douglas Michael Galletti**, Allen, TX (US); **Raul Olivera**, Greenville, TX (US); **Gregory Lavender**, Rockwall, TX (US); **Gregory Needel**, Rockwall, TX (US); **Jeffrey Russell Waegelin**, Rockwall, TX (US)

AU 146475 1/2002  
CA 87782 10/1999

(Continued)

OTHER PUBLICATIONS

TTPM. "Tagamoto Enforcer Road Set from Innovation First." YouTube., Dec. 4, 2012 [online], [retrieved on Jul. 14, 2014]. Retrieved from the Internet <URL: <http://www.youtube.com/watch?v=Et3sXOlyBps>>.\*

(Continued)

(73) Assignee: **Innovation First, Inc.**, Greenville, TX (US)

(\*\*) Term: **14 Years**

*Primary Examiner* — Philip S Hyder

*Assistant Examiner* — Darlington Ly

(21) Appl. No.: **29/428,458**

(74) *Attorney, Agent, or Firm* — Adam K. Sacharoff; Much Shelist

(22) Filed: **Jul. 31, 2012**

(51) **LOC (10) Cl.** ..... **21-01**

(52) **U.S. Cl.**  
USPC ..... **D21/550**

(58) **Field of Classification Search**  
CPC ..... A63H 17/004; A63H 17/28; A63H 17/32; A63H 19/00; A63H 33/003  
USPC ..... D2/433, 533, 548, 549, 550, 561, 562, D2/563; D12/82, 86, 88, 89, 90, 91, 92, D12/93; 446/444-447, 452, 465, 468, 470, 446/471, 431, 454-456; 254/423; 238/10 F; D21/433, 533, 548, 549, 550, 561, 562  
See application file for complete search history.

(57) **CLAIM**

The ornamental design for a toy police car, as shown and described.

**DESCRIPTION**

FIG. 1 is a front-top perspective view showing a toy police car;  
FIG. 2 is a rear-top perspective view of FIG. 1;  
FIG. 3 is a bottom-front perspective view of FIG. 1;  
FIG. 4 is a bottom-rear perspective view of FIG. 1;  
FIG. 5 is a top plan view of FIG. 1;  
FIG. 6 is a bottom plan view of FIG. 1;  
FIG. 7 is a front elevation view of FIG. 1;  
FIG. 8 is a rear elevation view of FIG. 1;  
FIG. 9 is a left side view of FIG. 1; and,  
FIG. 10 is a right side view of FIG. 1.

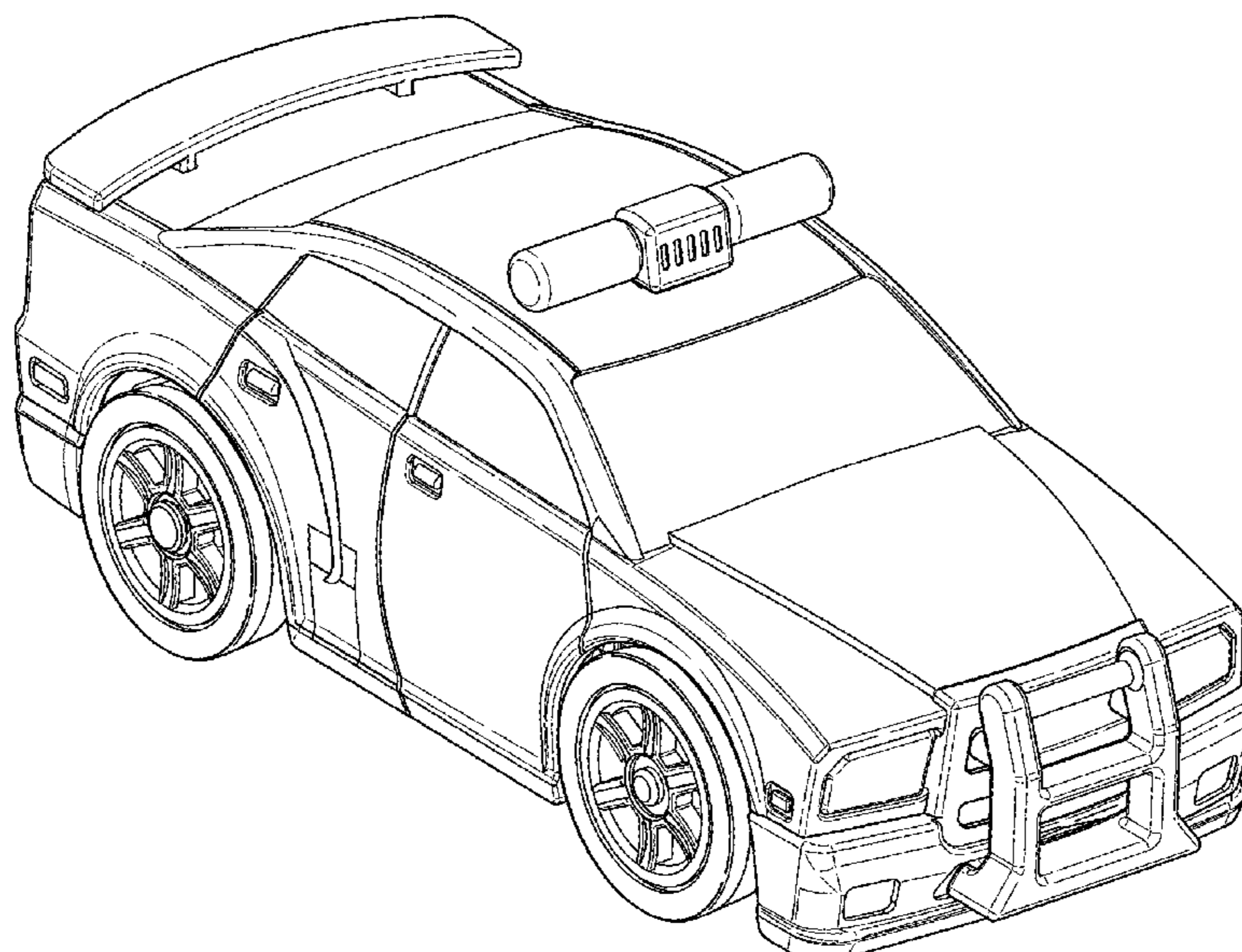
(56) **References Cited**

U.S. PATENT DOCUMENTS

3,064,994 A 11/1962 Limmer  
D212,324 S \* 10/1968 House ..... D12/12  
3,535,821 A \* 10/1970 Ieda ..... 446/441  
D224,744 S \* 9/1972 Spiegel ..... D21/548

(Continued)

**1 Claim, 10 Drawing Sheets**



(56)

References Cited

U.S. PATENT DOCUMENTS

3,860,216 A 1/1975 Brown  
 3,948,520 A \* 4/1976 Barlow ..... 446/446  
 3,950,889 A \* 4/1976 Dabney ..... 446/444  
 D243,235 S 2/1977 Buxbom  
 4,021,962 A \* 5/1977 Axryd ..... 446/445  
 4,099,628 A 7/1978 Richardson  
 4,193,223 A \* 3/1980 D'Andrade et al. .... 446/438  
 4,326,465 A \* 4/1982 Forrest ..... 104/165  
 D266,778 S \* 11/1982 Hilko ..... D21/551  
 D272,482 S 1/1984 Verschoor  
 D276,740 S 12/1984 Stockvis  
 4,568,300 A \* 2/1986 Rasmussen et al. .... 446/129  
 D295,301 S \* 4/1988 Matsumoto ..... D21/581  
 4,795,154 A \* 1/1989 Lahr ..... 238/10 F  
 D301,655 S 6/1989 Otte  
 5,165,347 A \* 11/1992 Wagner ..... 446/444  
 D335,740 S 5/1993 Fujimoto et al.  
 5,232,154 A \* 8/1993 Jenkins et al. .... 238/10 F  
 5,722,641 A \* 3/1998 Martin et al. .... 254/423  
 D393,304 S \* 4/1998 Yeh ..... D21/548  
 D457,576 S \* 5/2002 Zweiback et al. .... D21/548  
 6,439,955 B1 \* 8/2002 Feketo ..... 446/444  
 6,648,723 B2 \* 11/2003 Clark et al. .... 446/444  
 6,758,718 B1 \* 7/2004 Morris ..... 446/431  
 6,895,648 B1 5/2005 Willett  
 6,910,680 B1 \* 6/2005 Geller ..... 254/423  
 6,991,221 B1 1/2006 Rodriguez  
 7,025,656 B2 \* 4/2006 Bailey ..... 446/444

D533,606 S \* 12/2006 Kaminski ..... D21/548  
 7,290,799 B2 \* 11/2007 Santos ..... 254/423  
 7,637,797 B2 \* 12/2009 Dieckmann ..... 446/444  
 D667,509 S \* 9/2012 Mimlitch et al. .... D21/550  
 D699,301 S \* 2/2014 Pak ..... D21/548  
 2002/0100901 A1 \* 8/2002 Topelberg et al. .... 254/423  
 2005/0127343 A1 \* 6/2005 Jackson et al. .... 254/423  
 2012/0077411 A1 \* 3/2012 Amireh ..... 446/456  
 2013/0109273 A1 \* 5/2013 Koshida et al. .... 446/465

FOREIGN PATENT DOCUMENTS

EC 000100938-0001 11/2003  
 EC 000516661-0001 4/2006  
 EC 001258917-0016 5/2011  
 JP 09099177 A \* 4/1997 ..... A63H 3/00  
 JP 2011067231 A \* 4/2011 ..... A63H 17/00  
 JP 2013116309 A \* 6/2013 ..... A63H 17/00

OTHER PUBLICATIONS

Blurrz. "New Toy Galleries: Human Alliance Barricade with Frenzy." Seibertron., Dec. 31, 2009 [online], [retrieved on Jul. 14, 2014]. Retrieved from the Internet <URL: <http://www.seibertron.com/trans-formers/news/new-toy-galleries-human-alliance-barricade-with-frenzy/17606/>>.\*  
 Shantou GoldRosita Intelligent Electronic Toys Industrial Co., Lit., Scoot Micro-Robotic Vehicles, pictures of product, product available over the Internet; manufactured in Guangdong, China.

\* cited by examiner



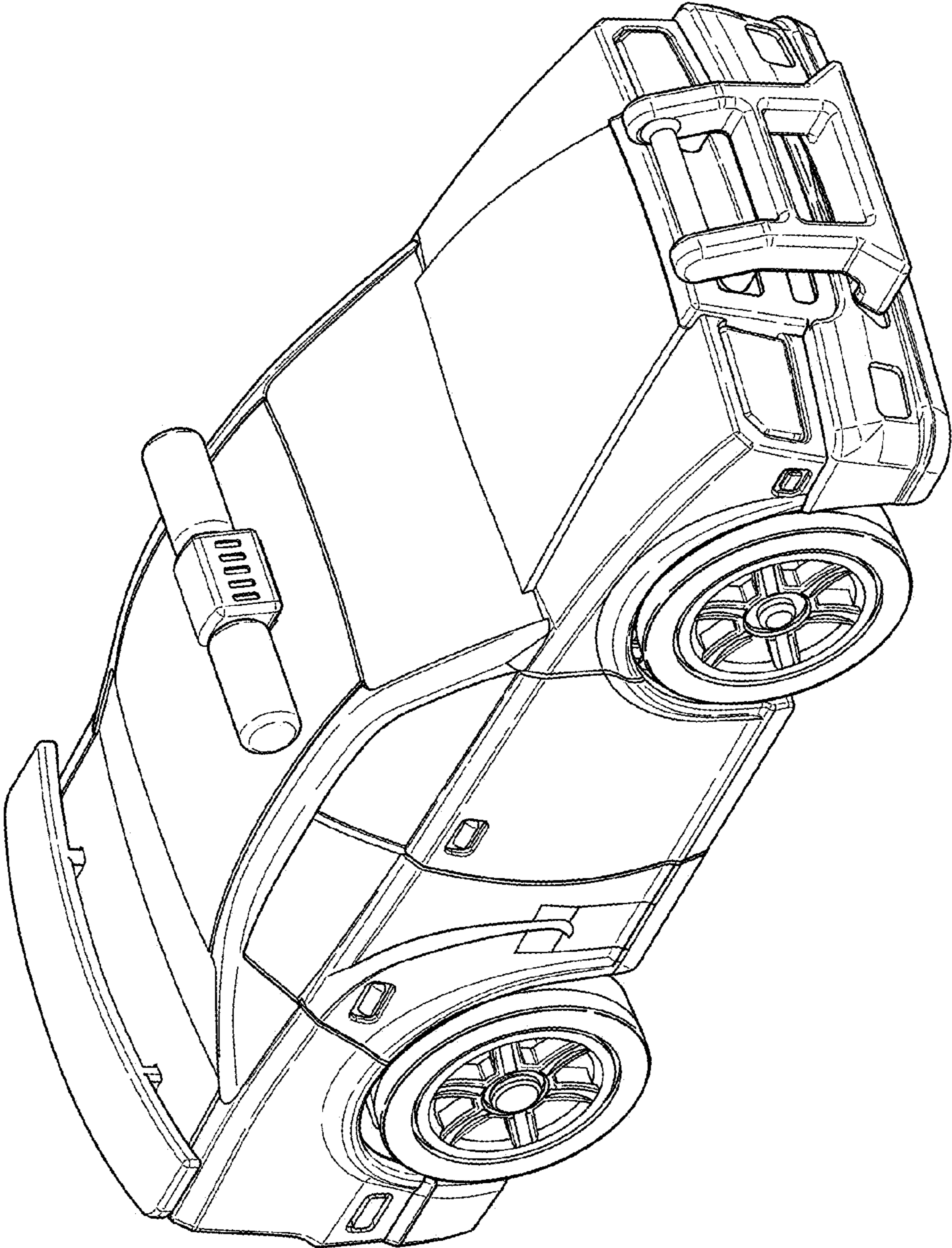


FIG. 1

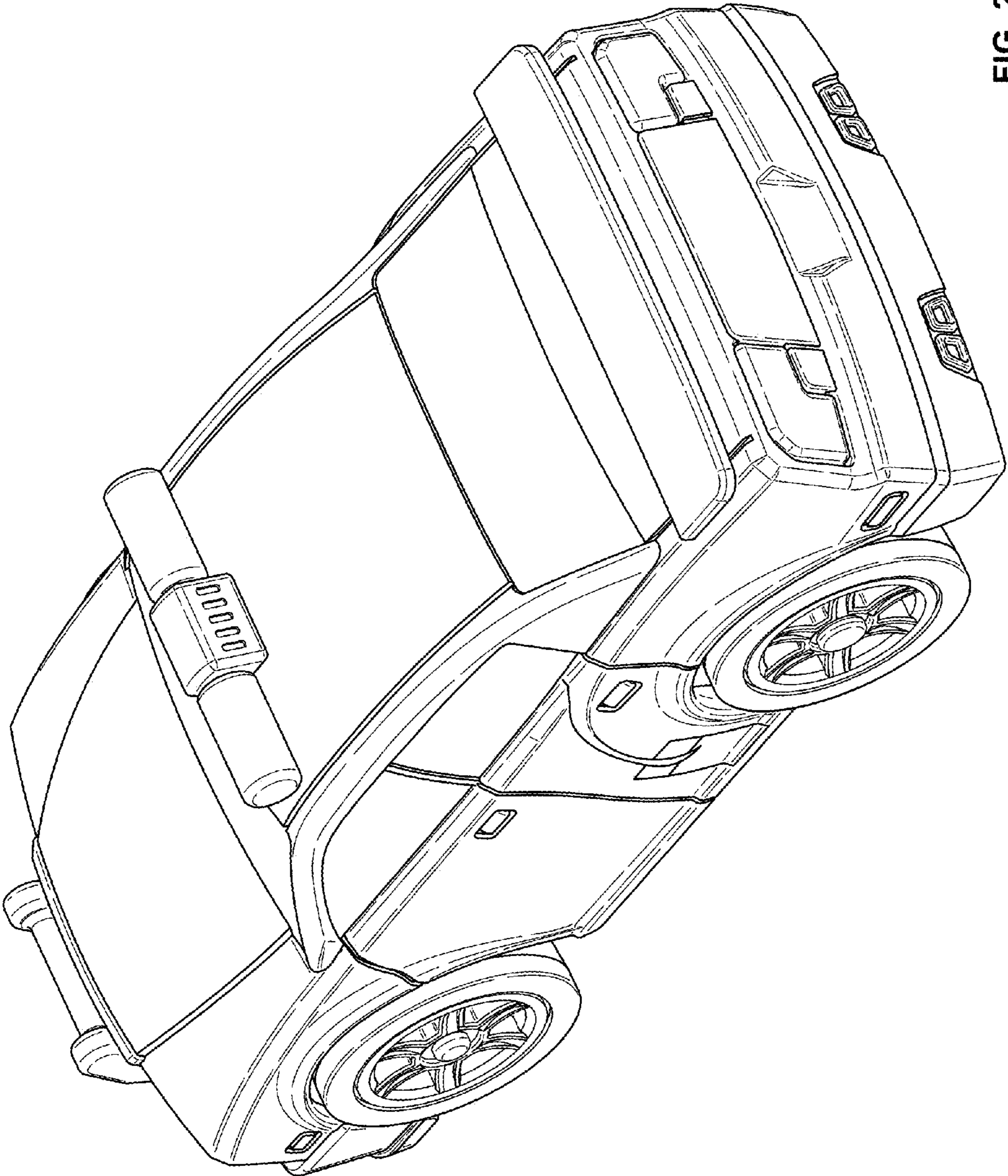


FIG. 2



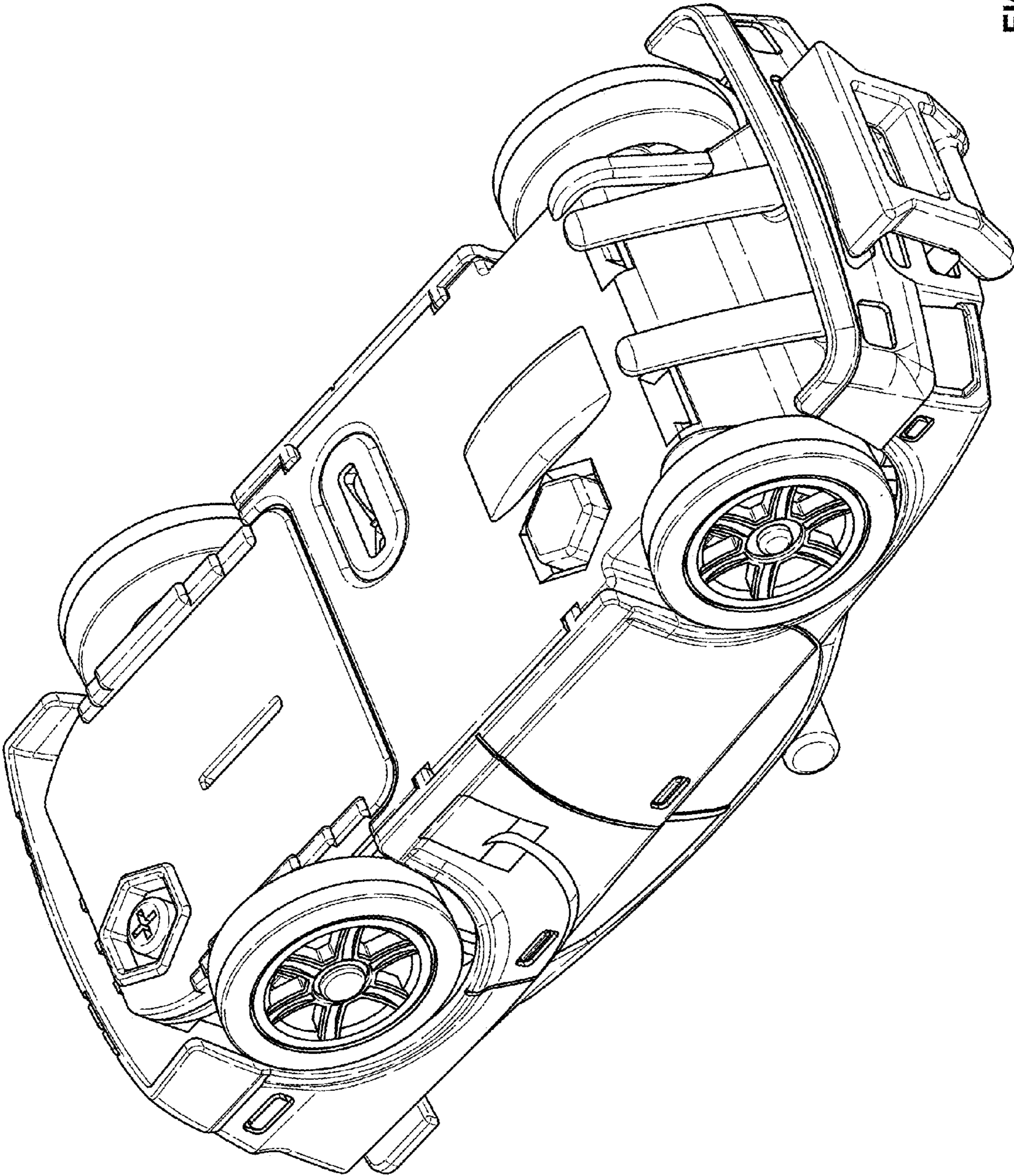


FIG. 3

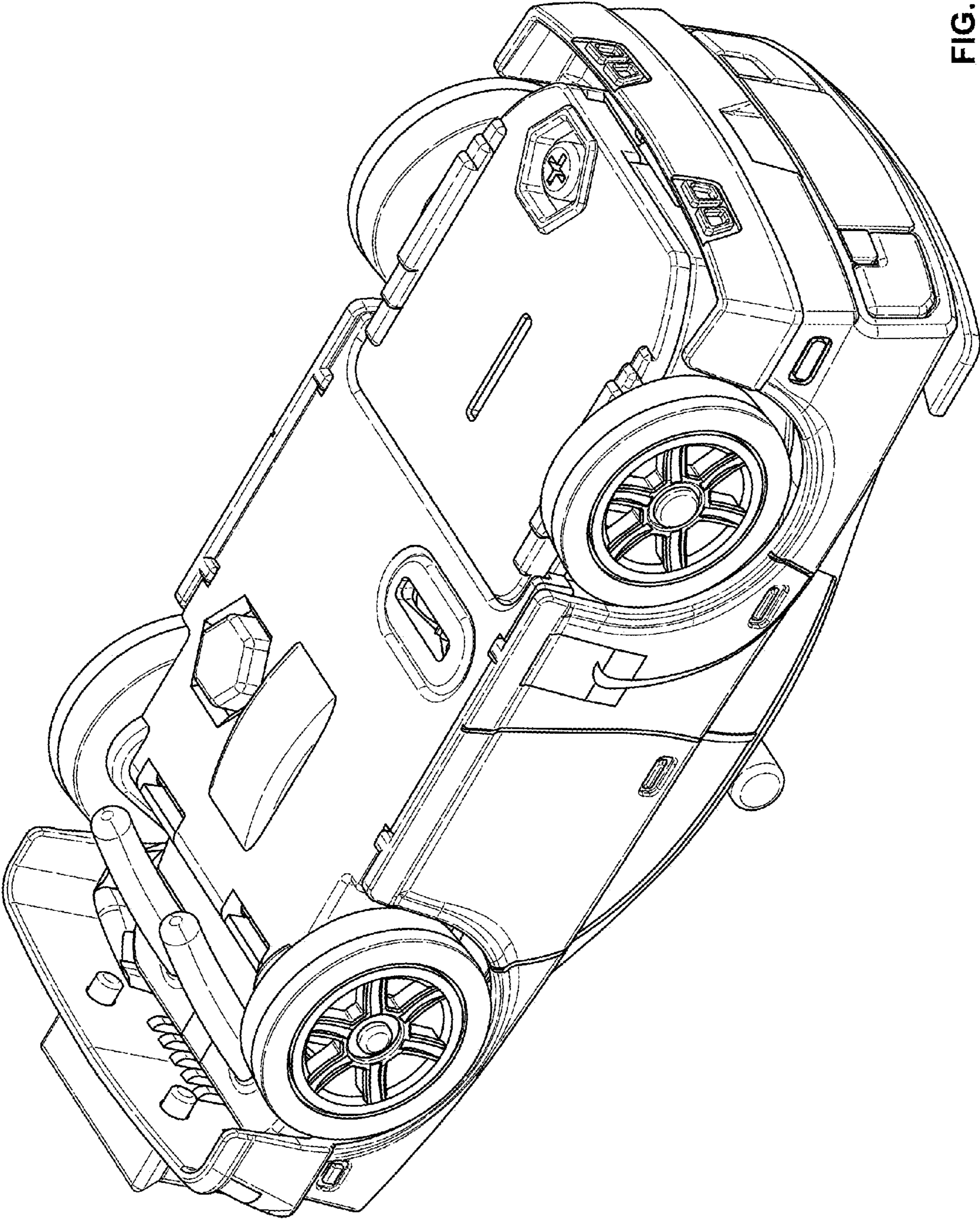


FIG. 4



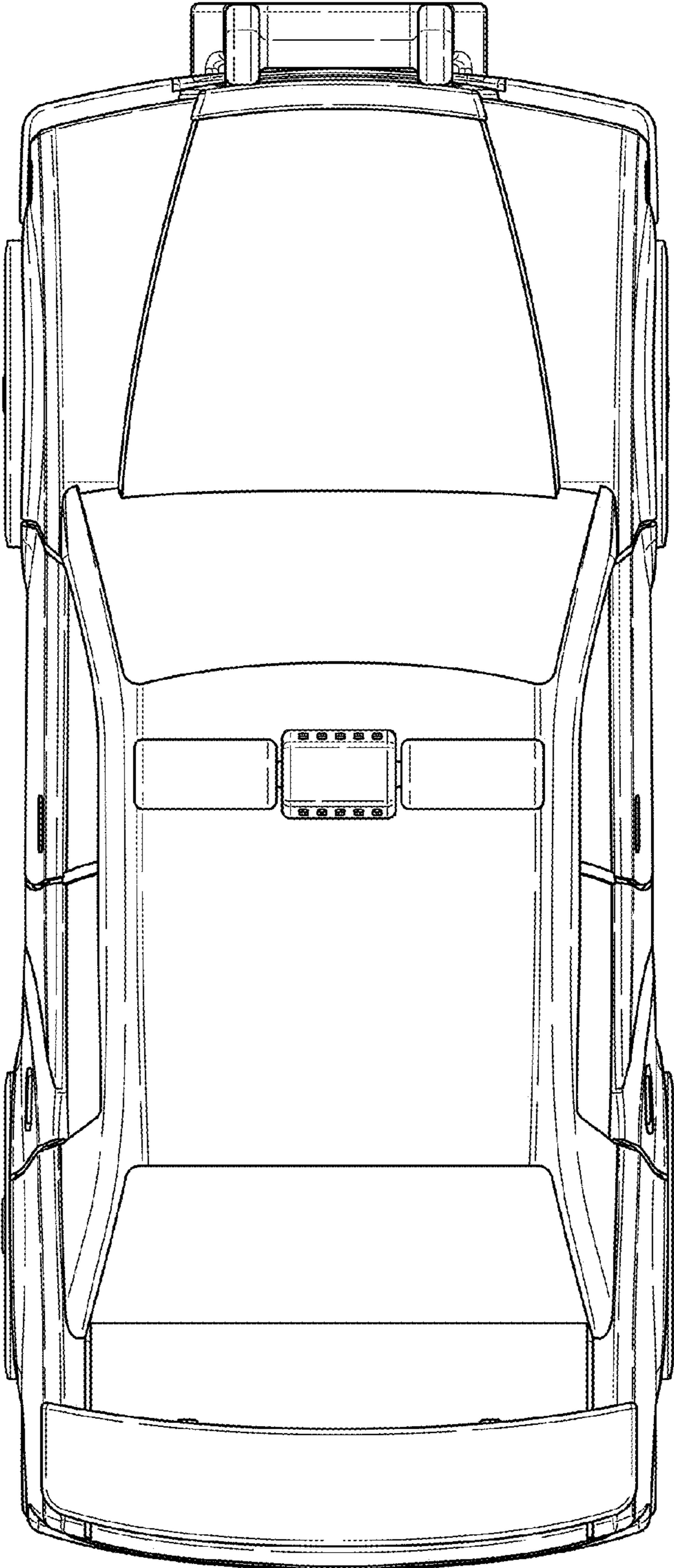


FIG. 5

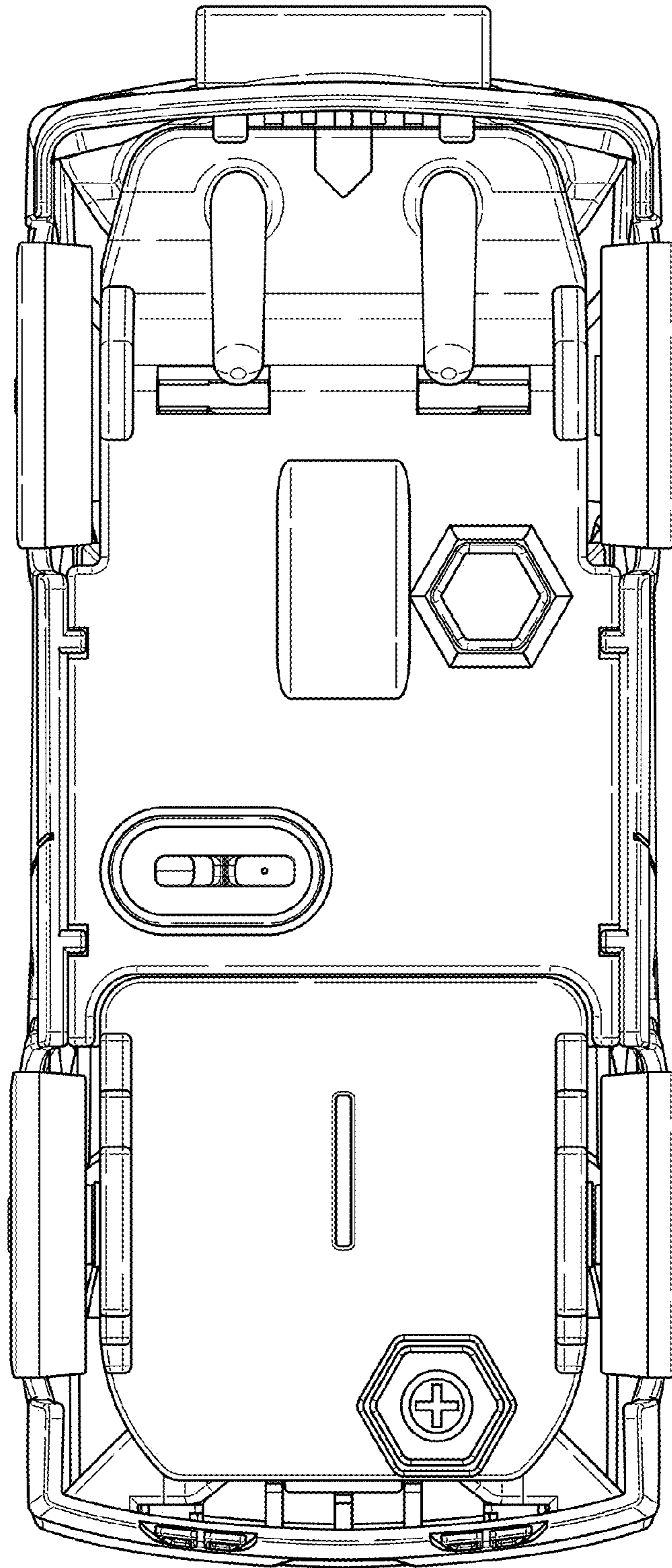


FIG. 6



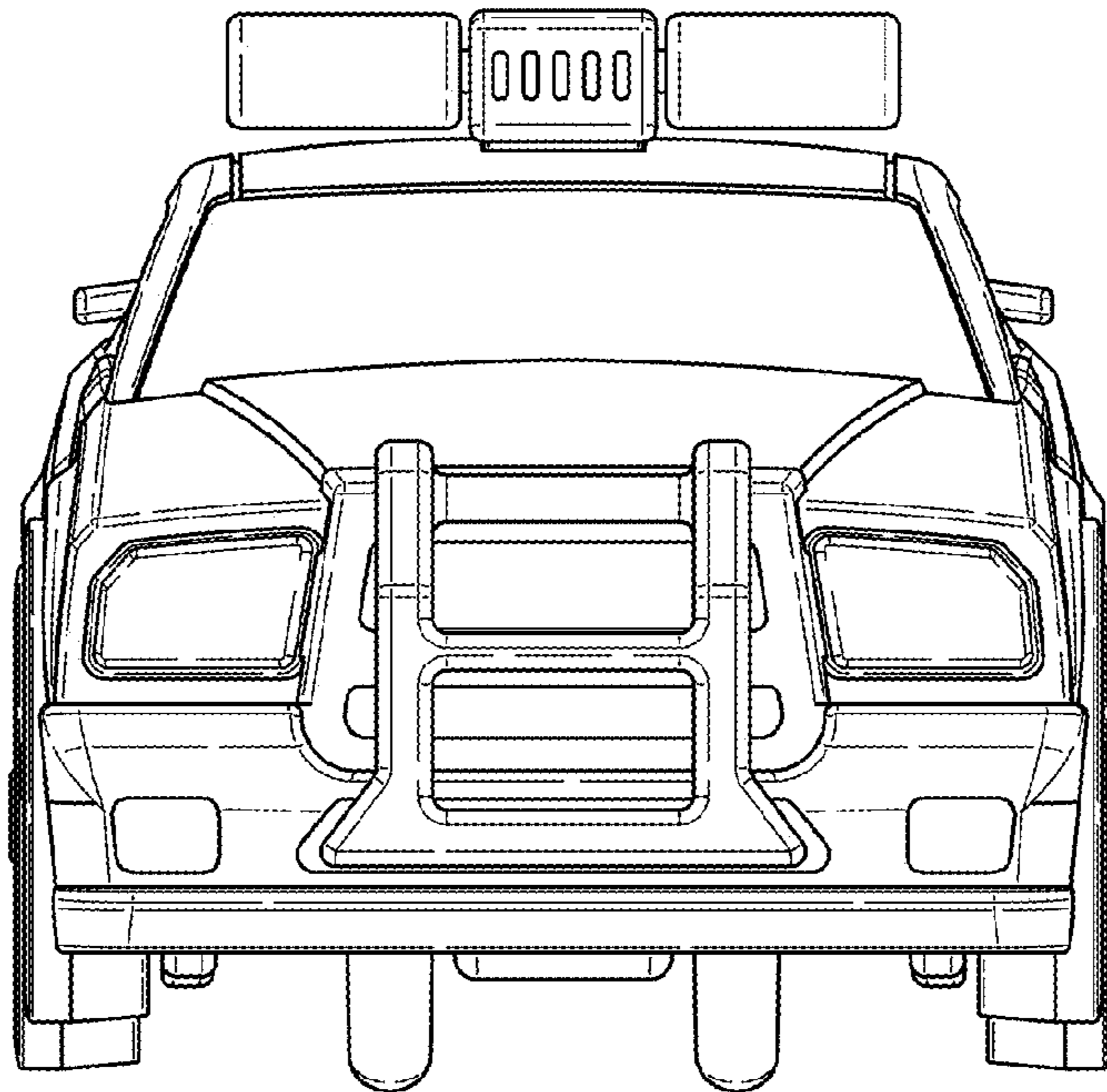


FIG. 7

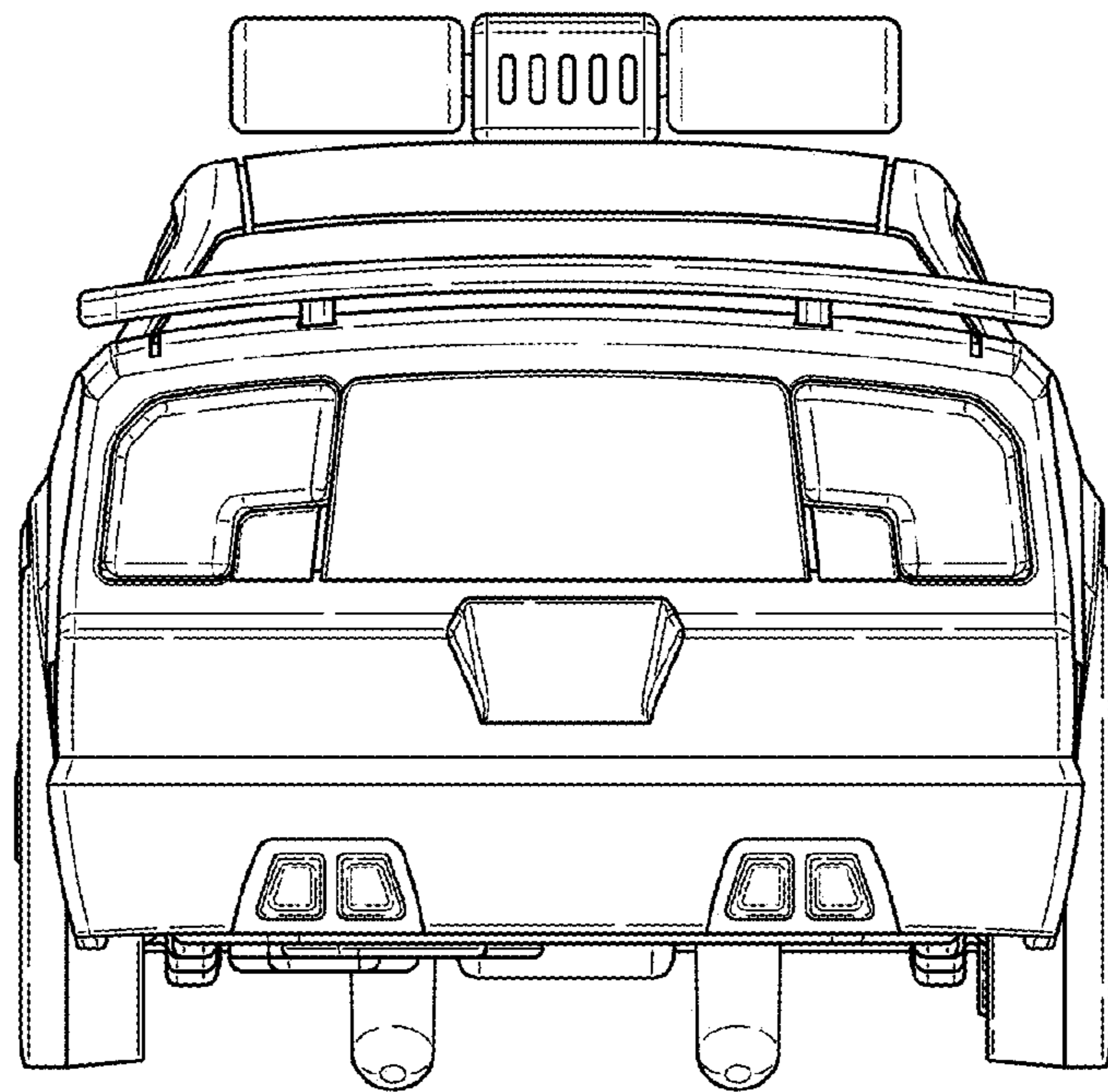


FIG. 8

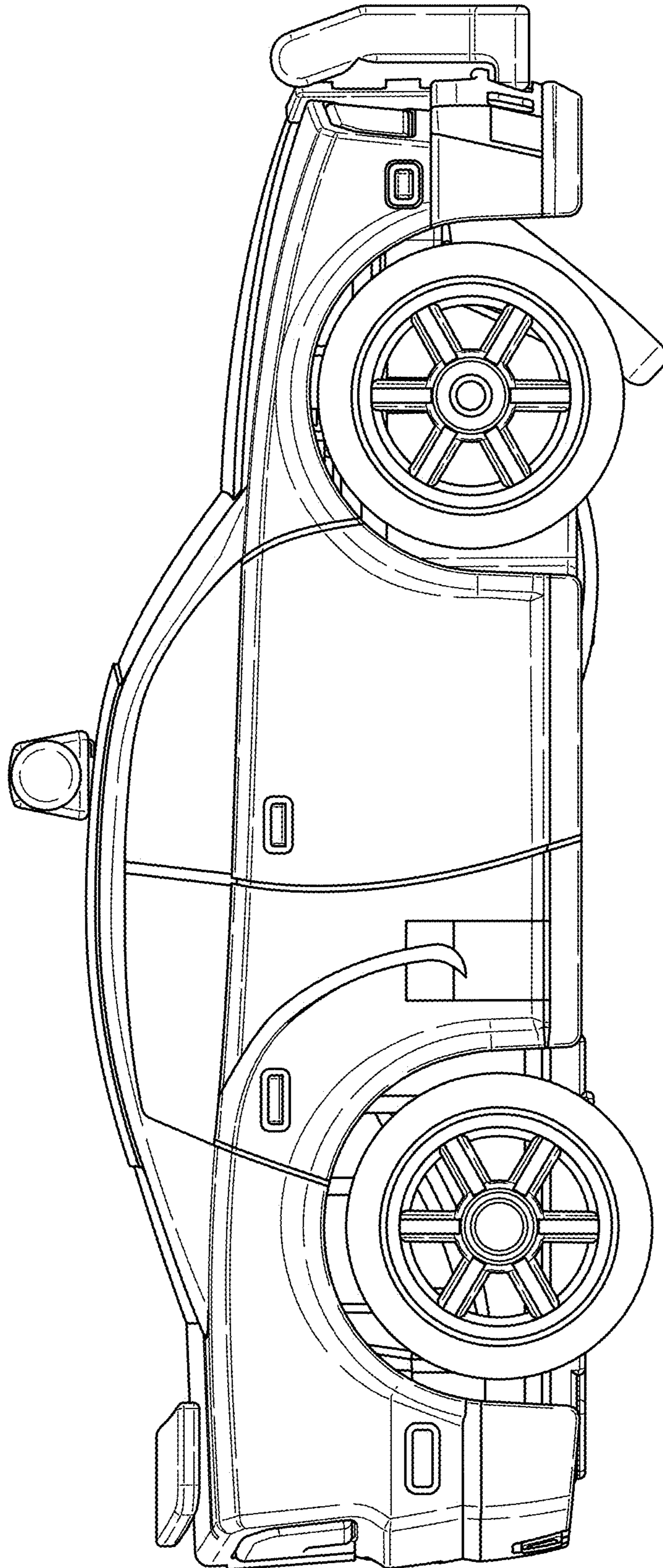


FIG. 9



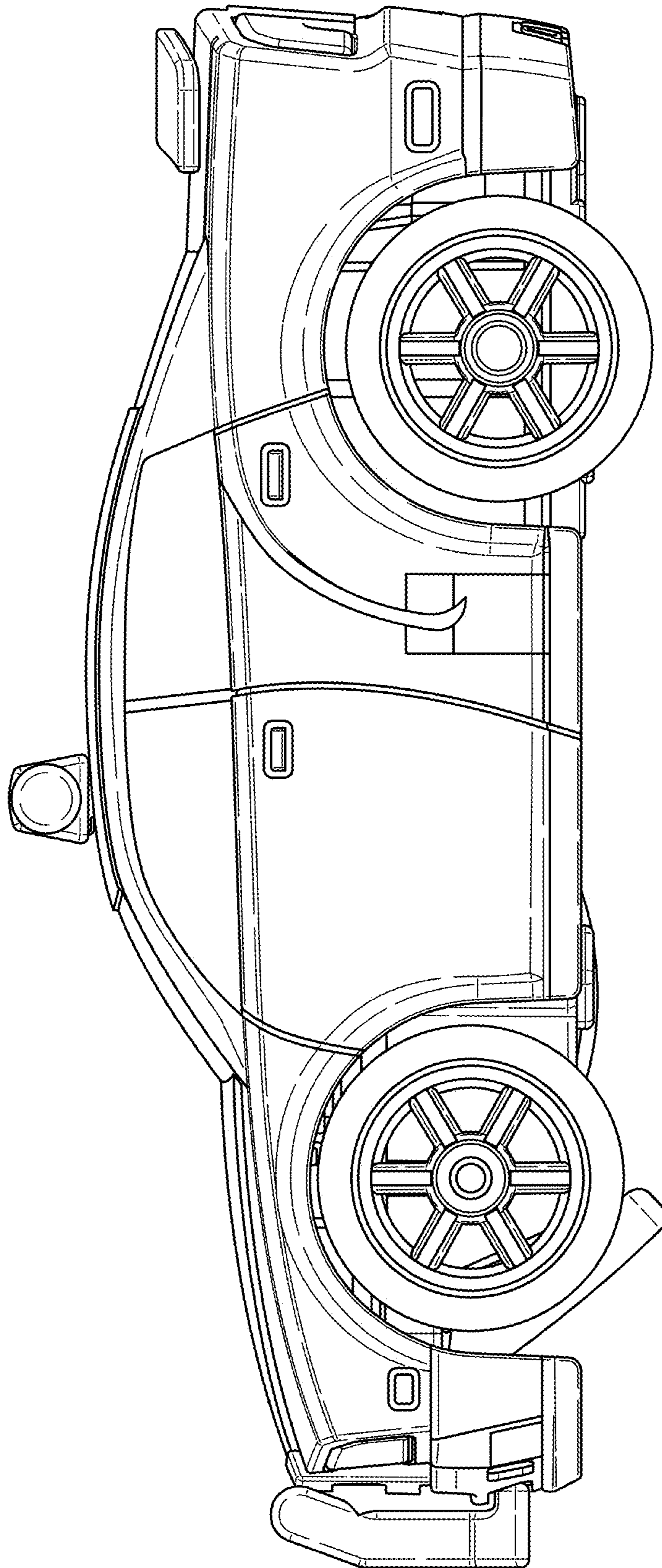


FIG. 10