



US00D717884S

(12) **United States Design Patent**
Duriez

(10) **Patent No.:** **US D717,884 S**

(45) **Date of Patent:** **** Nov. 18, 2014**

(54) **COMPONENT OF A CONSTRUCTOR SET**

(71) Applicant: **Paul Duriez**, La Faute sur Mer (FR)

(72) Inventor: **Paul Duriez**, La Faute sur Mer (FR)

(**) Term: **14 Years**

(21) Appl. No.: **29/475,948**

(22) Filed: **Dec. 9, 2013**

(30) **Foreign Application Priority Data**

Jun. 7, 2013 (EM) 002252049-0001

(51) **LOC (10) Cl.** **21-01**

(52) **U.S. Cl.**
USPC **D21/501**; D21/491

(58) **Field of Classification Search**
USPC D21/386, 484–485, 488, 490–495, 498,
D21/500–505, 561, 563; 434/259, 208, 403;
446/69, 89, 90, 92, 102–128, 437, 256;
464/150; D9/430, 432, 433
See application file for complete search history.

(56) **References Cited**

U.S. PATENT DOCUMENTS

294,607	A *	3/1884	Frost	446/124
2,414,716	A *	1/1947	Carson	446/112
3,855,748	A *	12/1974	Thomas	446/115
3,940,100	A *	2/1976	Haug	446/114
D255,473	S *	6/1980	Chase et al.	D21/499
D258,744	S *	3/1981	Ruga	D21/484
4,454,678	A *	6/1984	Duvivier	446/112
5,281,185	A *	1/1994	Lee	446/488

D351,425	S *	10/1994	Seiler	D21/337
5,895,045	A *	4/1999	Vilar	273/160
6,684,591	B2 *	2/2004	Jean	273/156

* cited by examiner

Primary Examiner — Cynthia M Chin

(74) *Attorney, Agent, or Firm* — Young & Thompson

(57) **CLAIM**

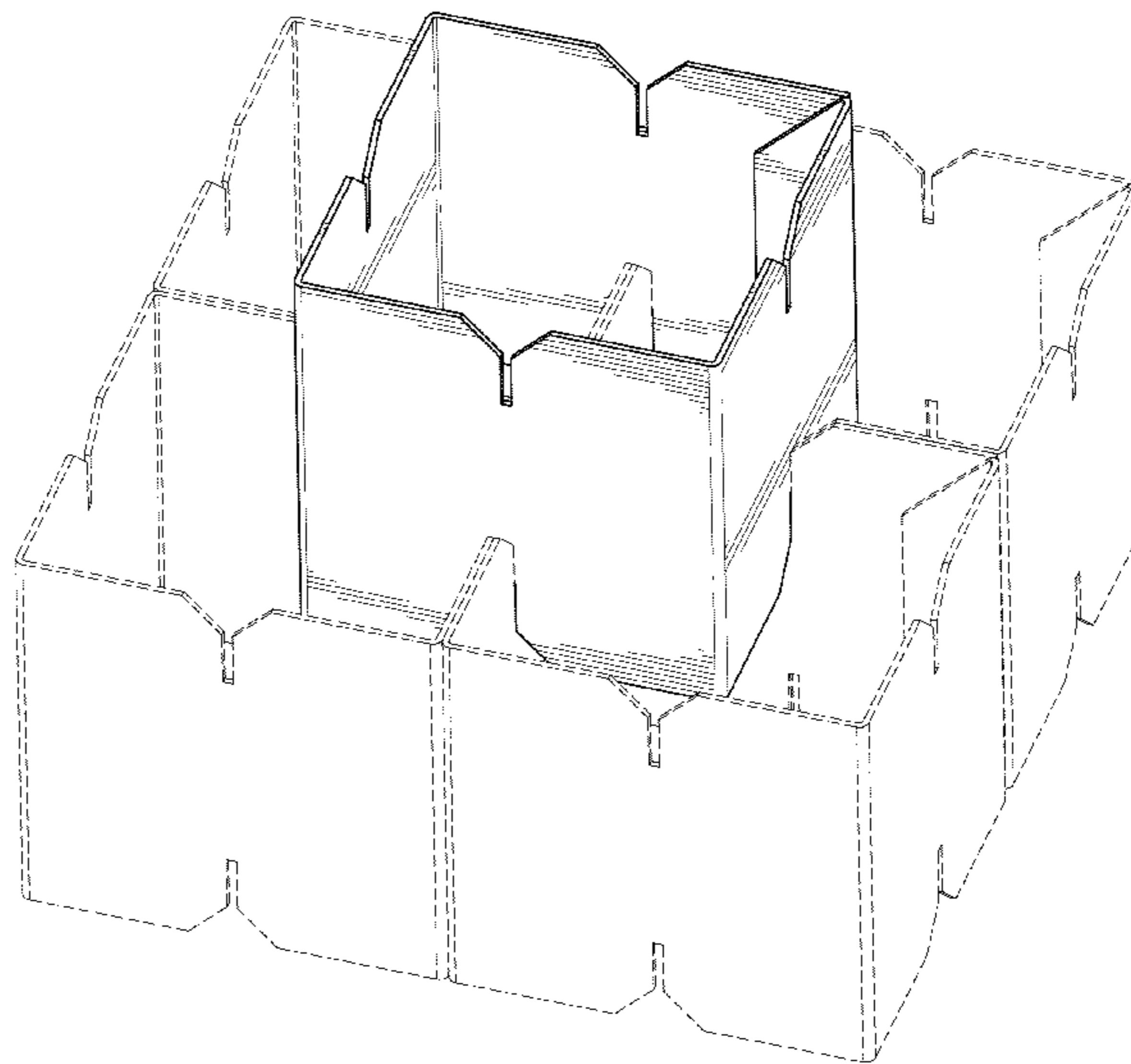
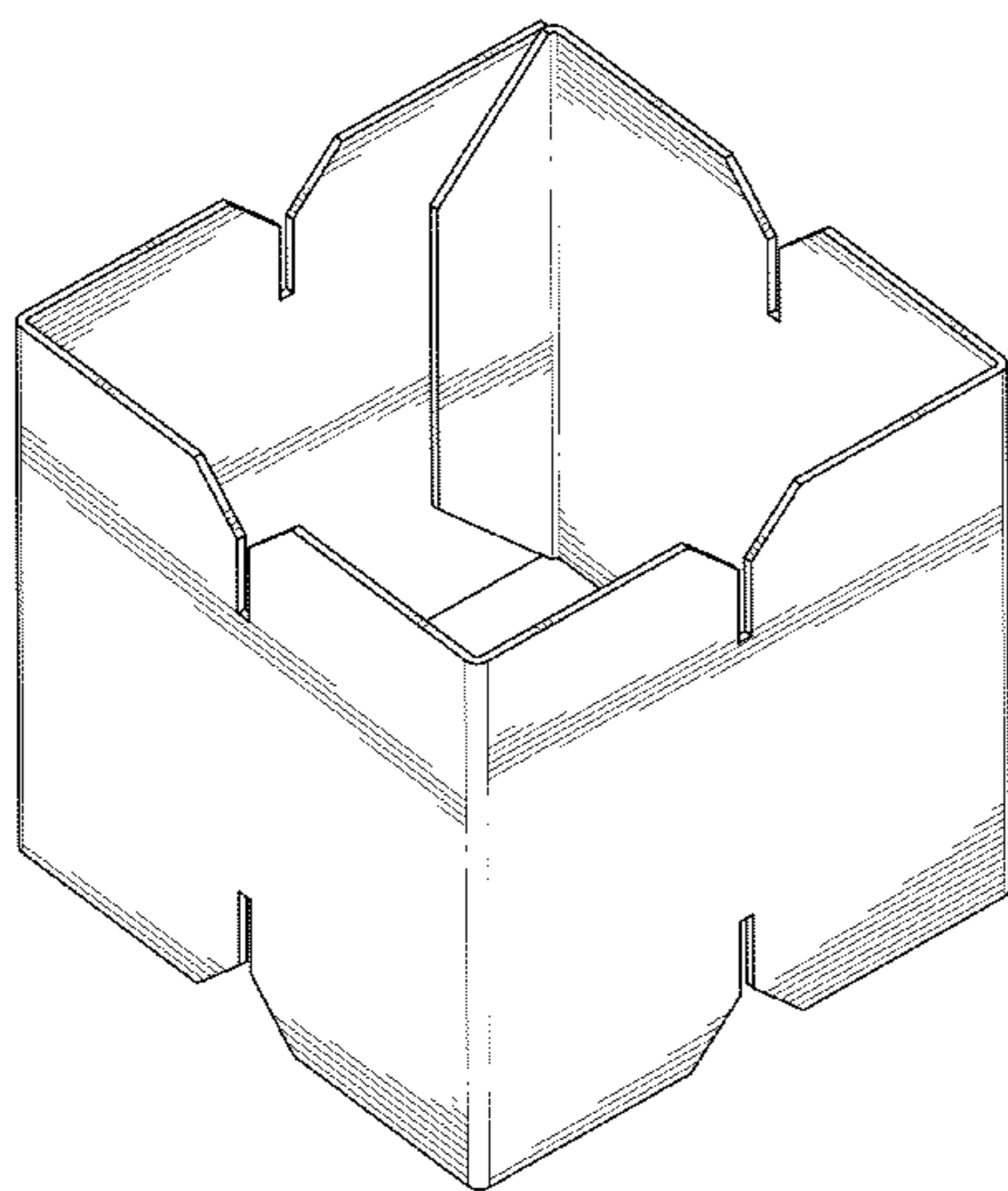
The ornamental design for a component of a constructor set, as shown and described.

DESCRIPTION

FIG. 1 is a top perspective view of a component of a constructor set showing the new design;
FIG. 2 is a front elevation view thereof;
FIG. 3 is a rear elevation view thereof;
FIG. 4 is a left side elevation view thereof;
FIG. 5 is a right side elevation view thereof;
FIG. 6 is a top plan view thereof;
FIG. 7 is a bottom plan view thereof;
FIG. 8 is a top perspective view thereof in use with other components of a constructor set; and,
FIG. 9 is an alternate configuration thereof wherein the ends of the component are separated and the component is filed flat.

The portions of the design shown in broken lines in FIG. 8 show unclaimed subject matter. The broken lines shown in FIG. 9 are claimed and show the creases that form the corners in the primary configuration.

1 Claim, 6 Drawing Sheets



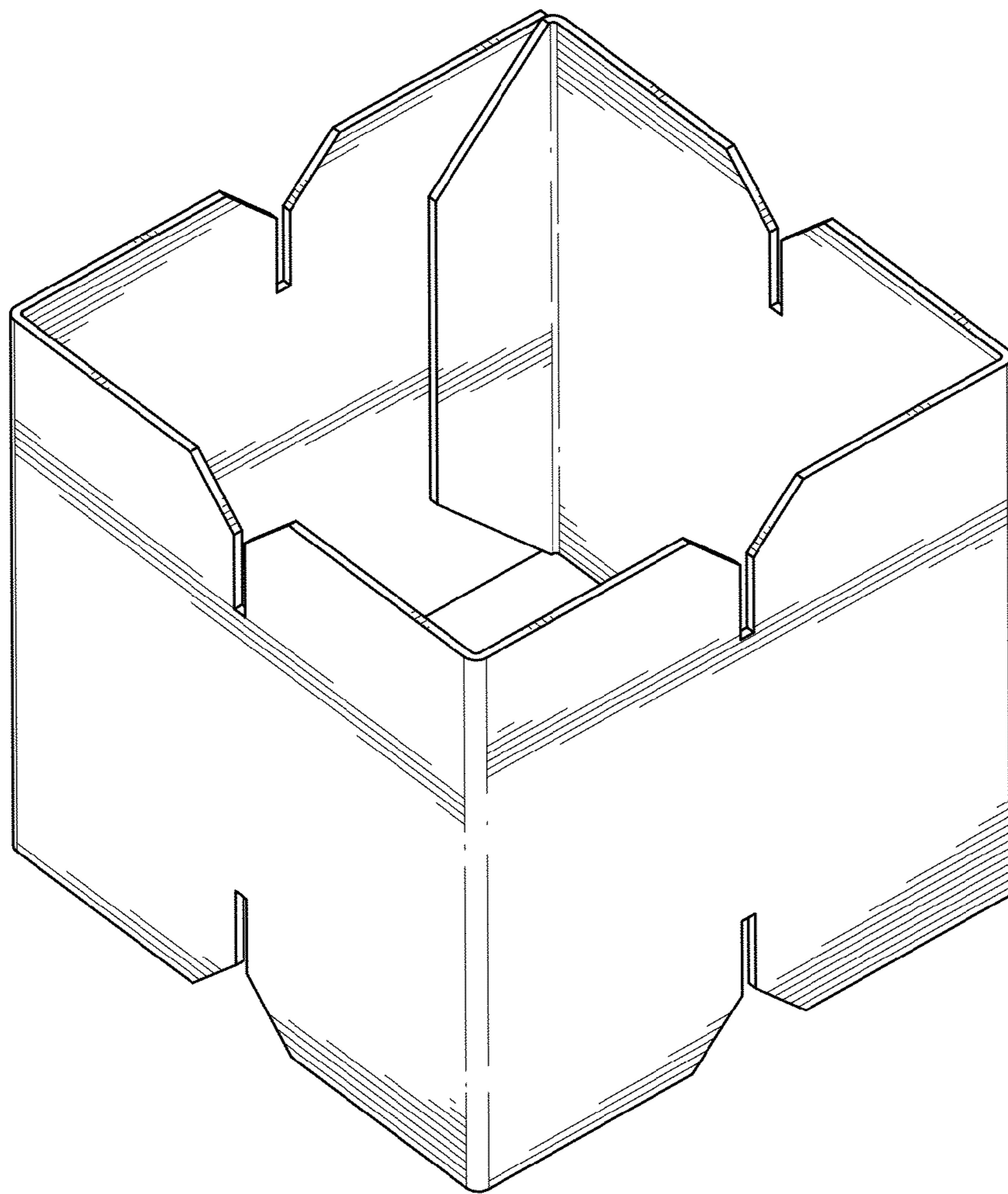


FIG. 1

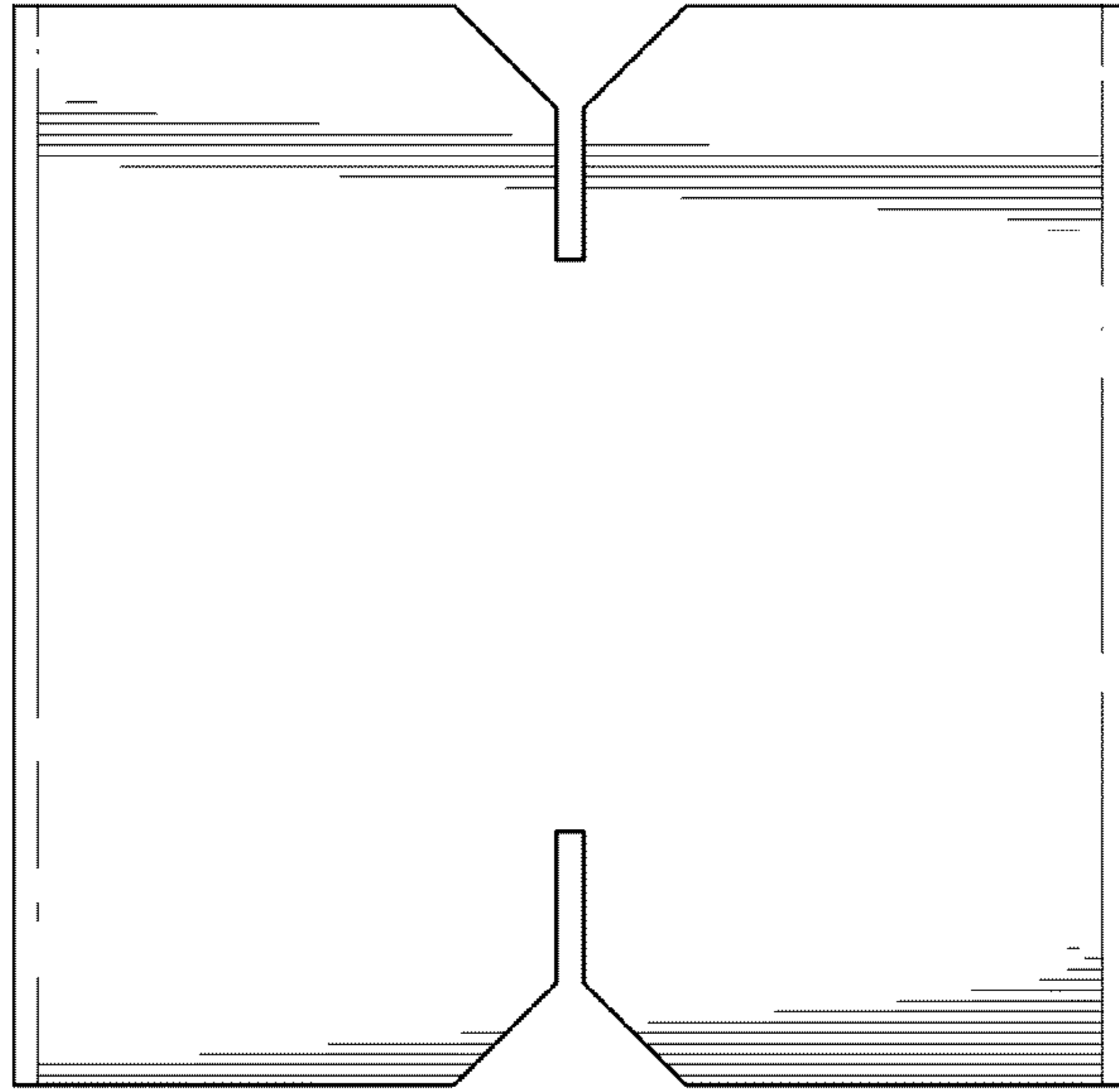


FIG. 2

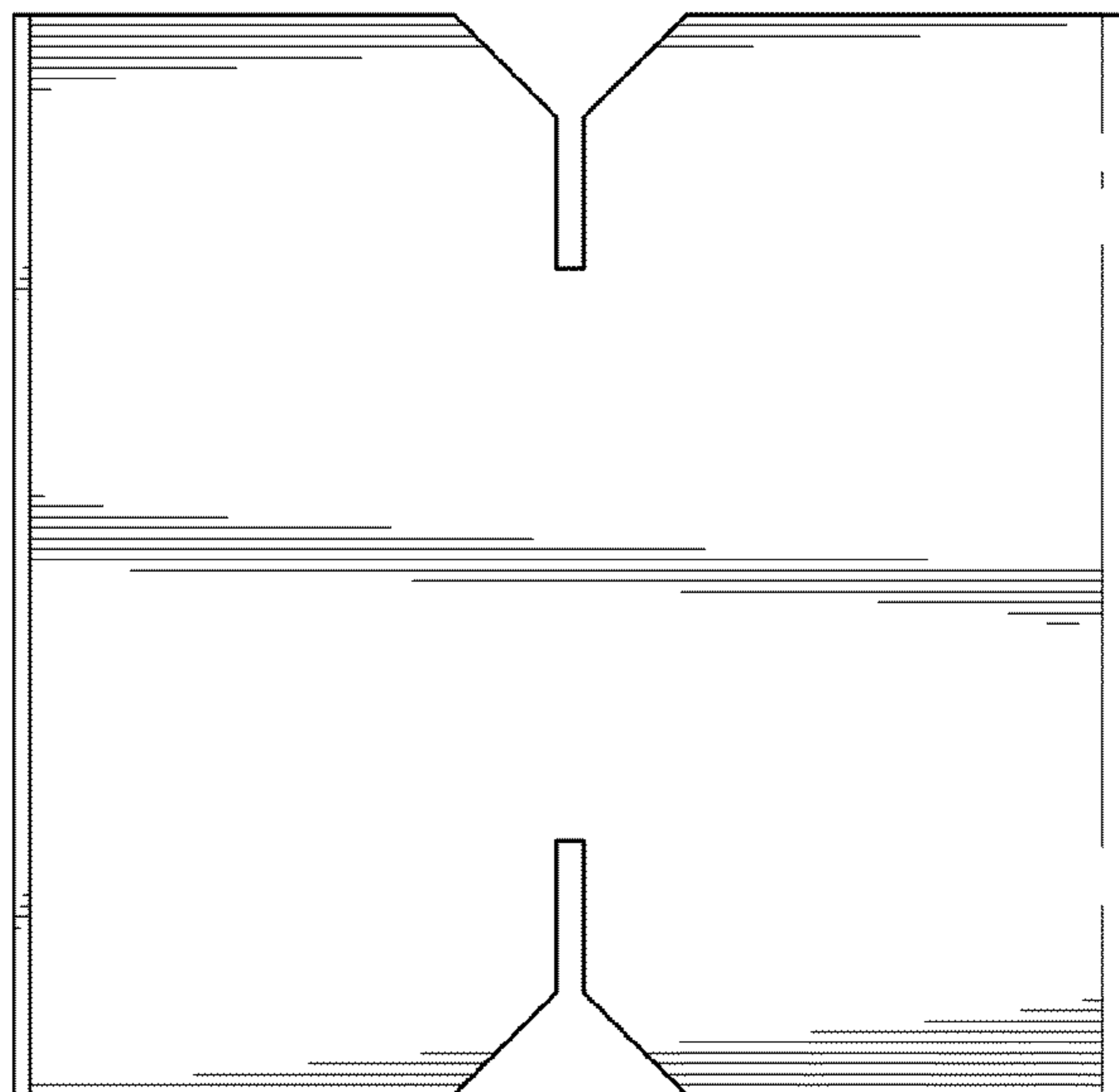


FIG. 3

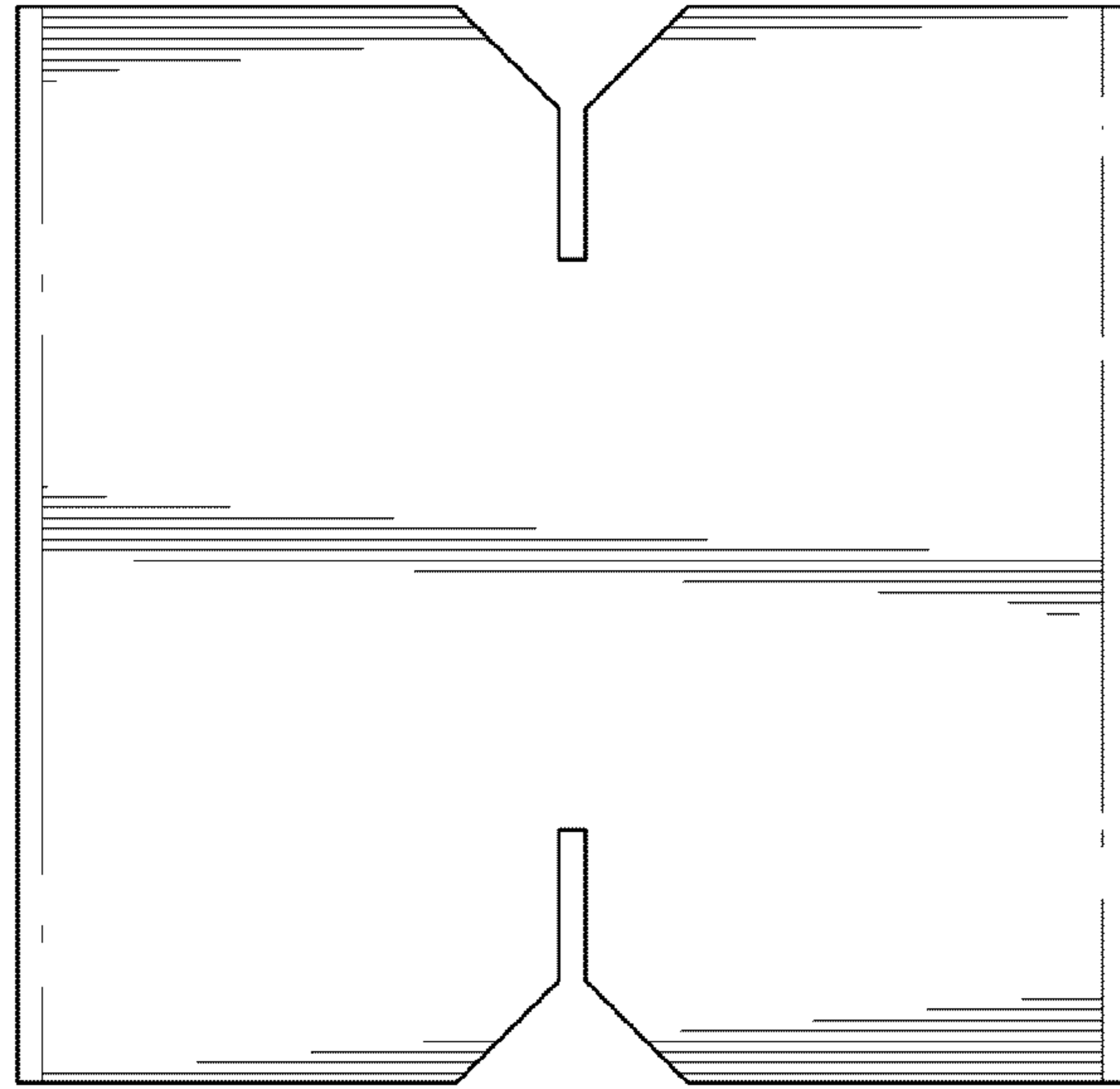


FIG. 4

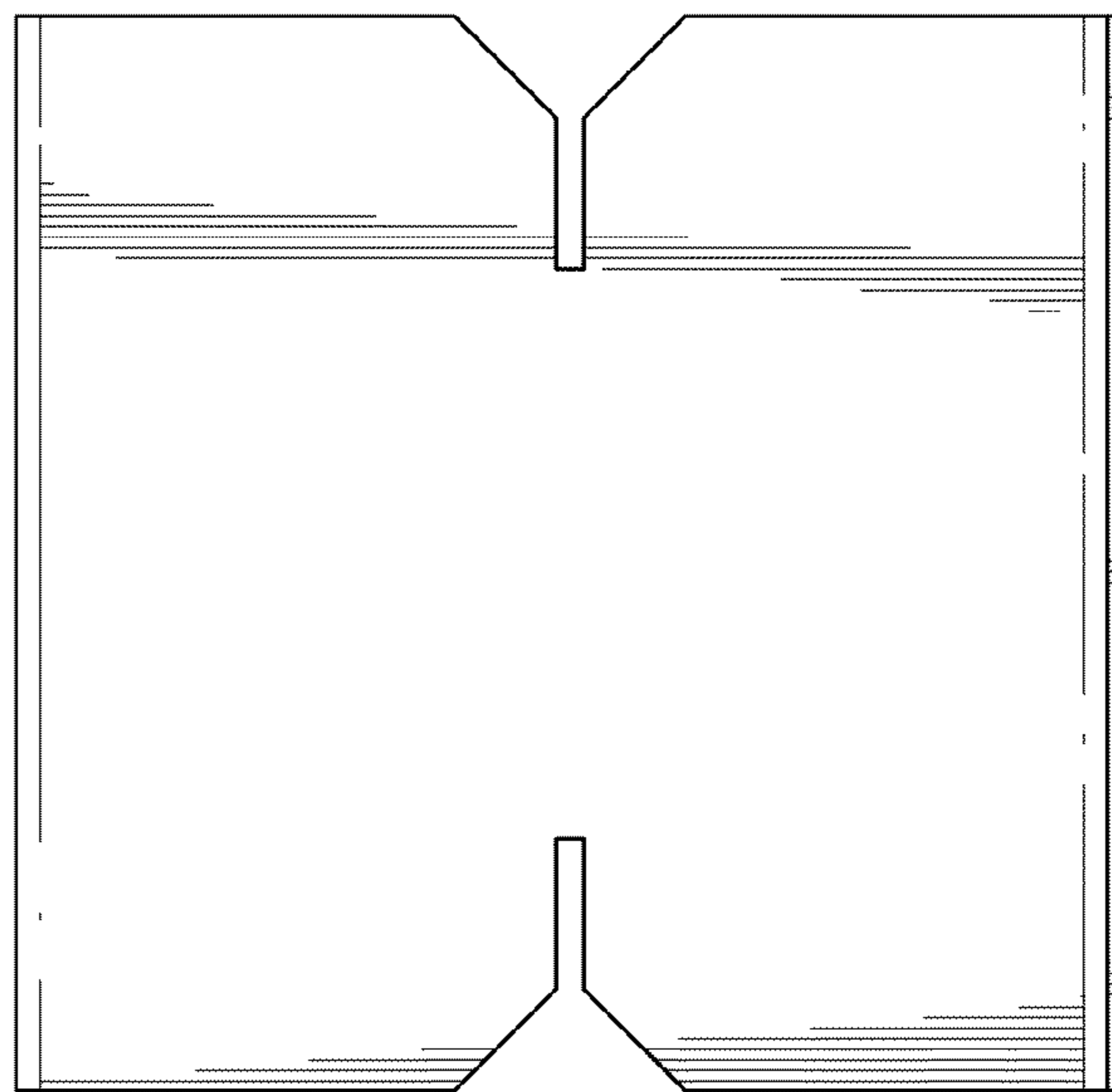


FIG. 5

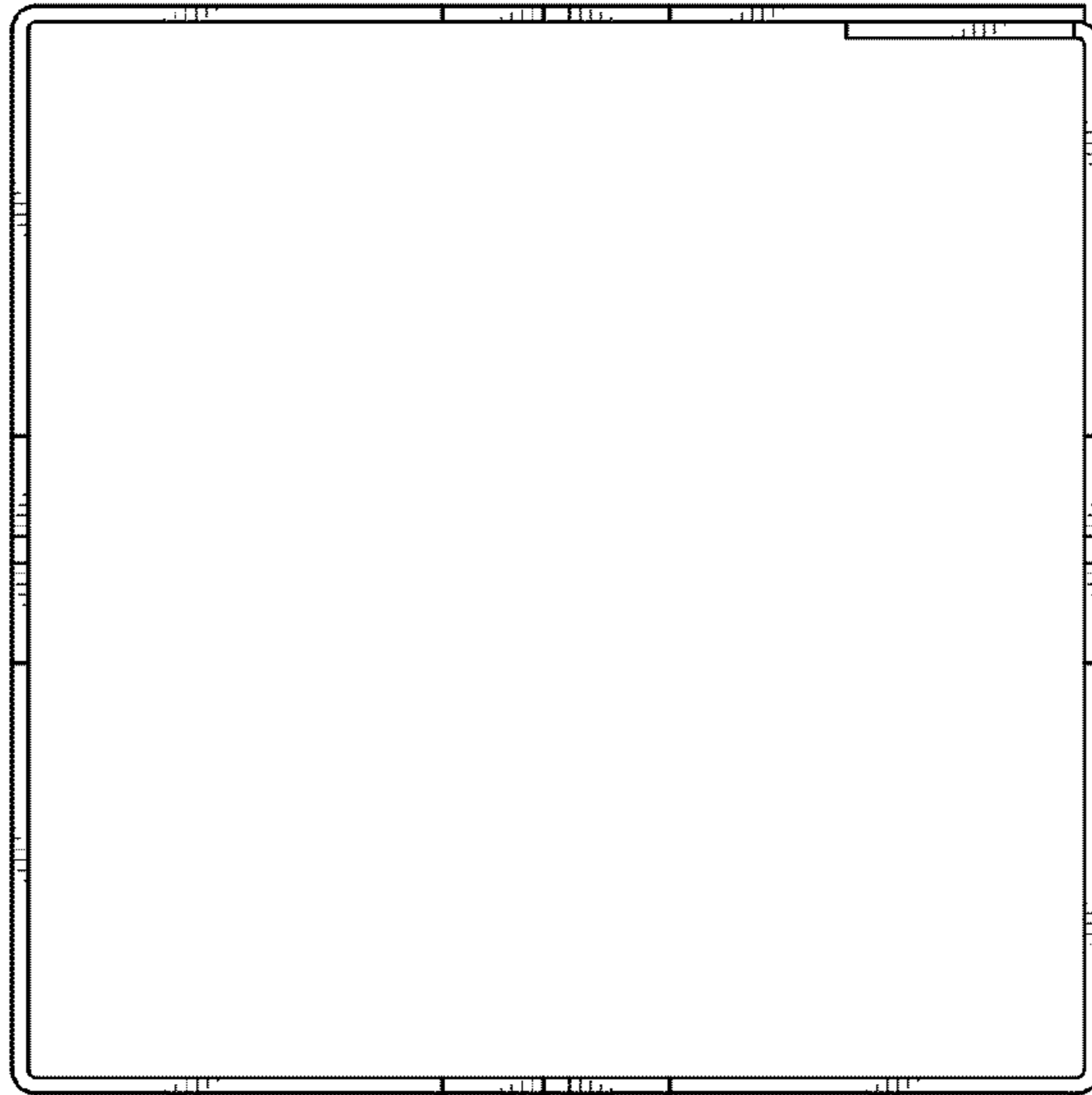


FIG. 6

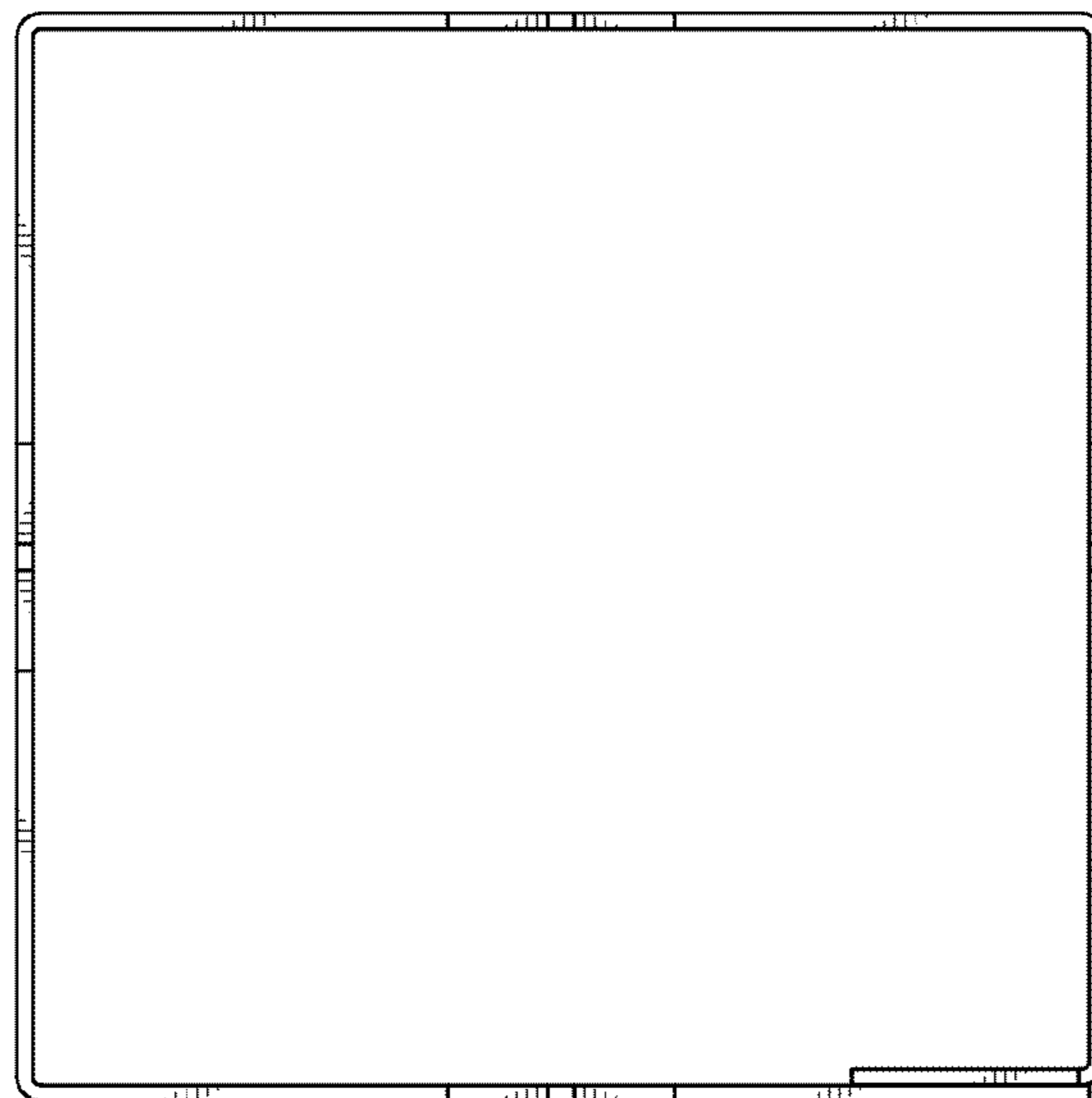


FIG. 7

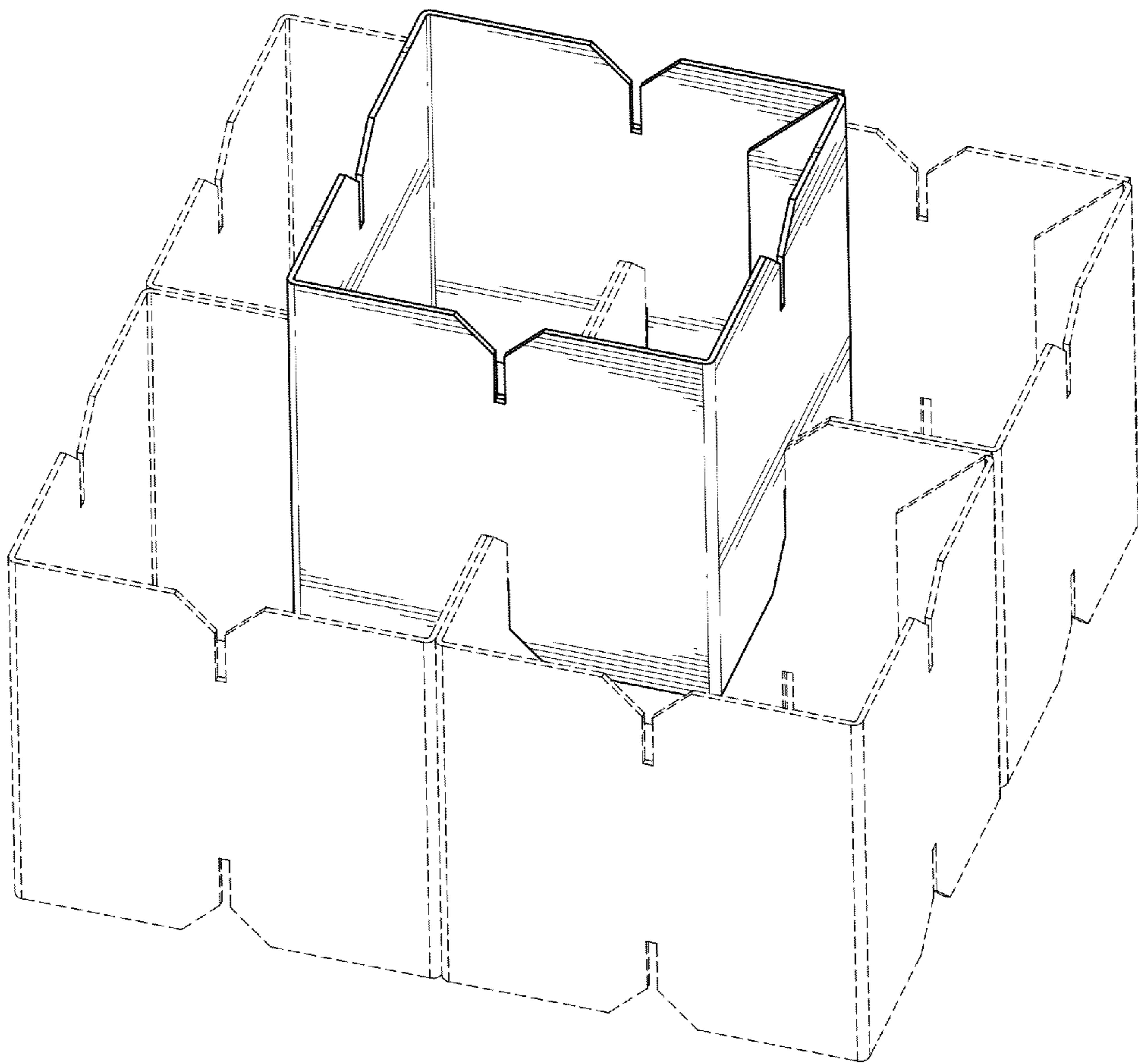


FIG. 8

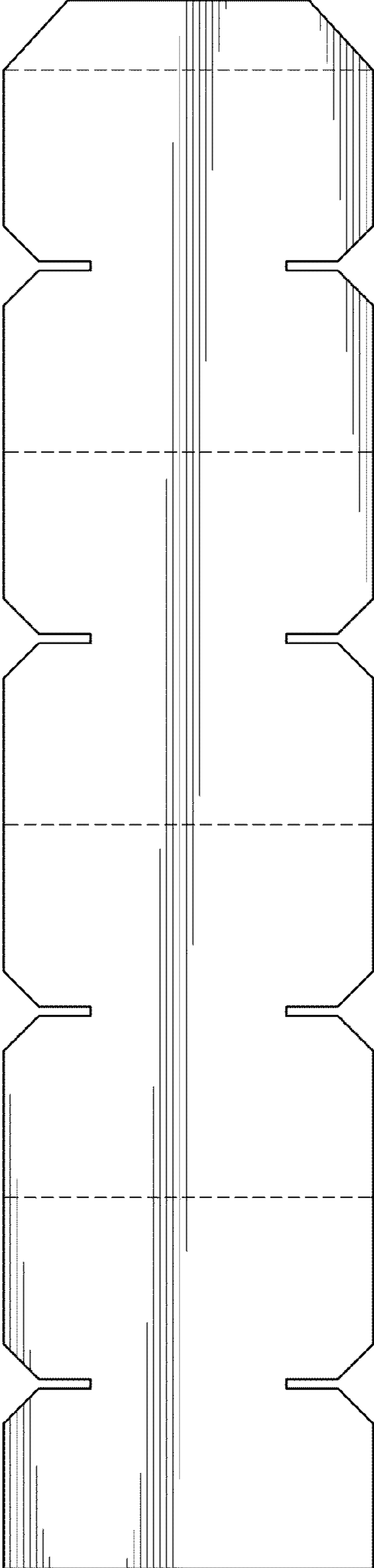


FIG. 9