



US00D717882S

(12) **United States Design Patent**
Chase et al.

(10) **Patent No.:** **US D717,882 S**

(45) **Date of Patent:** **** Nov. 18, 2014**

(54) **TOY**

(75) Inventors: **Mark Chase**, Minneapolis, MN (US);
Daniel J. Hoyord, St. Paul, MN (US);
Justin F. Wood, Minneapolis, MN (US);
Christopher T. Sodt, Plymouth, MN
(US); **Joel T. Bodkin**, Minneapolis, MN
(US); **Wanda Dent**, Chanhassen, MN
(US)

(73) Assignee: **Target Brands, Inc.**, Minneapolis, MN
(US)

(**) Term: **14 Years**

(21) Appl. No.: **29/427,832**

(22) Filed: **Jul. 23, 2012**

(51) **LOC (10) Cl.** **21-01**

(52) **U.S. Cl.**

USPC **D21/468**

(58) **Field of Classification Search**

CPC . A63F 2007/4081; A63F 9/34; A63F 7/3622;
A63F 9/0666; A63F 9/0876; A63H 33/00
USPC D21/337, 350, 392, 393, 395, 397, 398,
D21/404, 465, 466, 467, 468, 475, 476, 478,
D21/482, 484, 485, 488, 489, 490, 492, 493,
D21/495, 533-560; D11/133; D19/59, 62,
D19/64; D20/35; 446/117, 129, 131, 137,
446/138, 227, 489; 273/239, 241, 264, 271,
273/272, 281, 287, 153 R, 157 R, 158, 159,
273/153 S; 434/128, 203, 208, 247, 259,
434/393, 403, 429

See application file for complete search history.

(56) **References Cited**

U.S. PATENT DOCUMENTS

843,490 A * 2/1907 Pusey 273/159
1,028,380 A * 6/1912 Okamoto 273/159
D142,020 S 8/1945 Davidson

D142,021 S * 8/1945 Davidson D21/542
2,577,309 A * 12/1951 Carwile 446/486
D218,248 S * 8/1970 Gompes et al. D21/479
3,581,408 A * 6/1971 Mohier 434/258
3,609,606 A * 9/1971 Podesto 335/209
4,062,543 A 12/1977 Loeffler
4,597,743 A * 7/1986 Becker et al. 446/71
D309,165 S 7/1990 Kaplan et al.
5,112,268 A 5/1992 Klaus

(Continued)

OTHER PUBLICATIONS

Office Action from Canadian Patent Application No. 148469, mailed
Sep. 10, 2013 (1 page).

(Continued)

Primary Examiner — Catherine Tuttle

(74) *Attorney, Agent, or Firm* — Griffiths & Seaton PLLC;
JoAnn M. Seaton

(57) **CLAIM**

The ornamental design for a toy, as shown and described.

DESCRIPTION

FIG. 1 is a top and front perspective view of a toy showing our
new design;

FIG. 2 is a front view thereof;

FIG. 3 is a rear view thereof;

FIG. 4 is a right side view thereof;

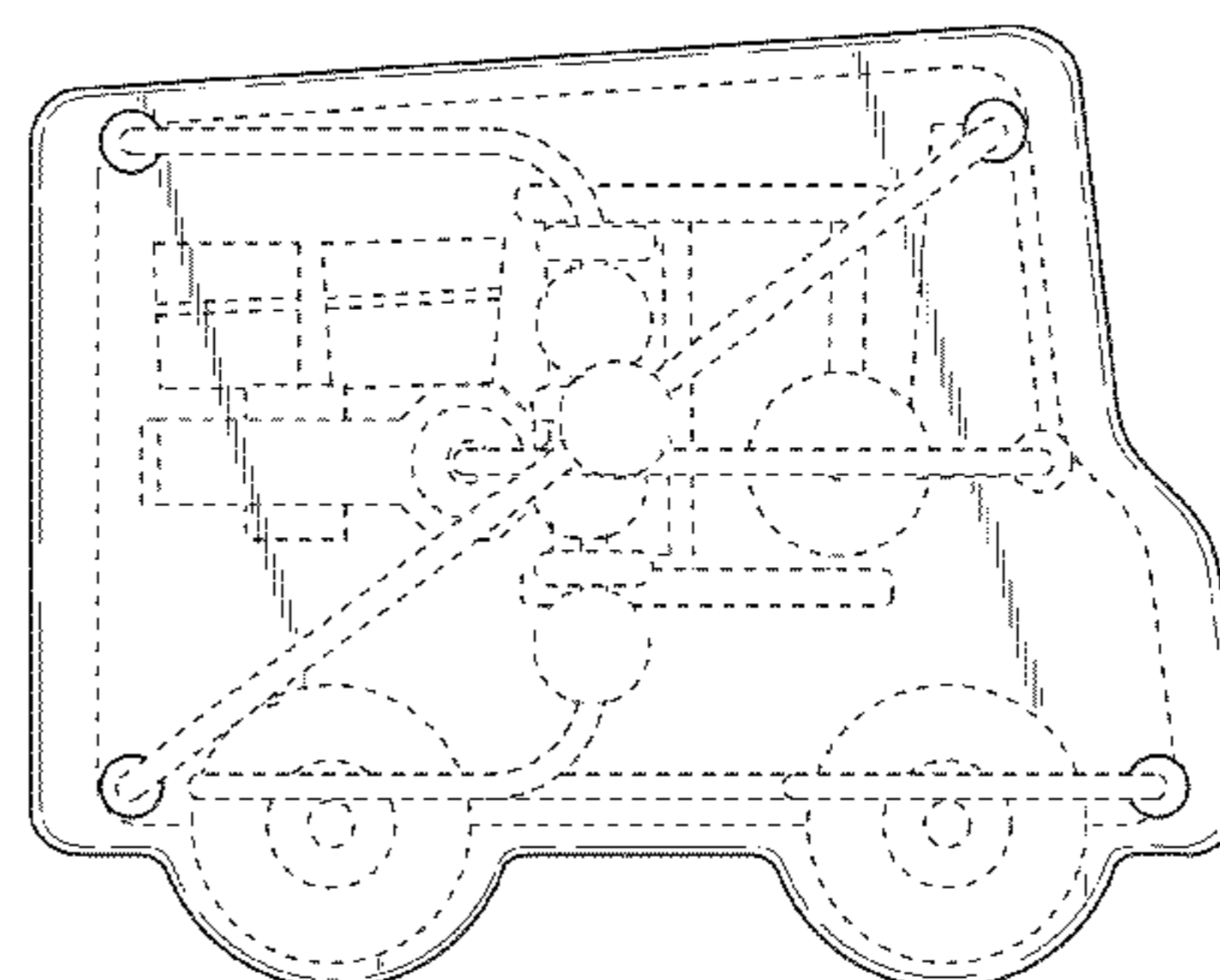
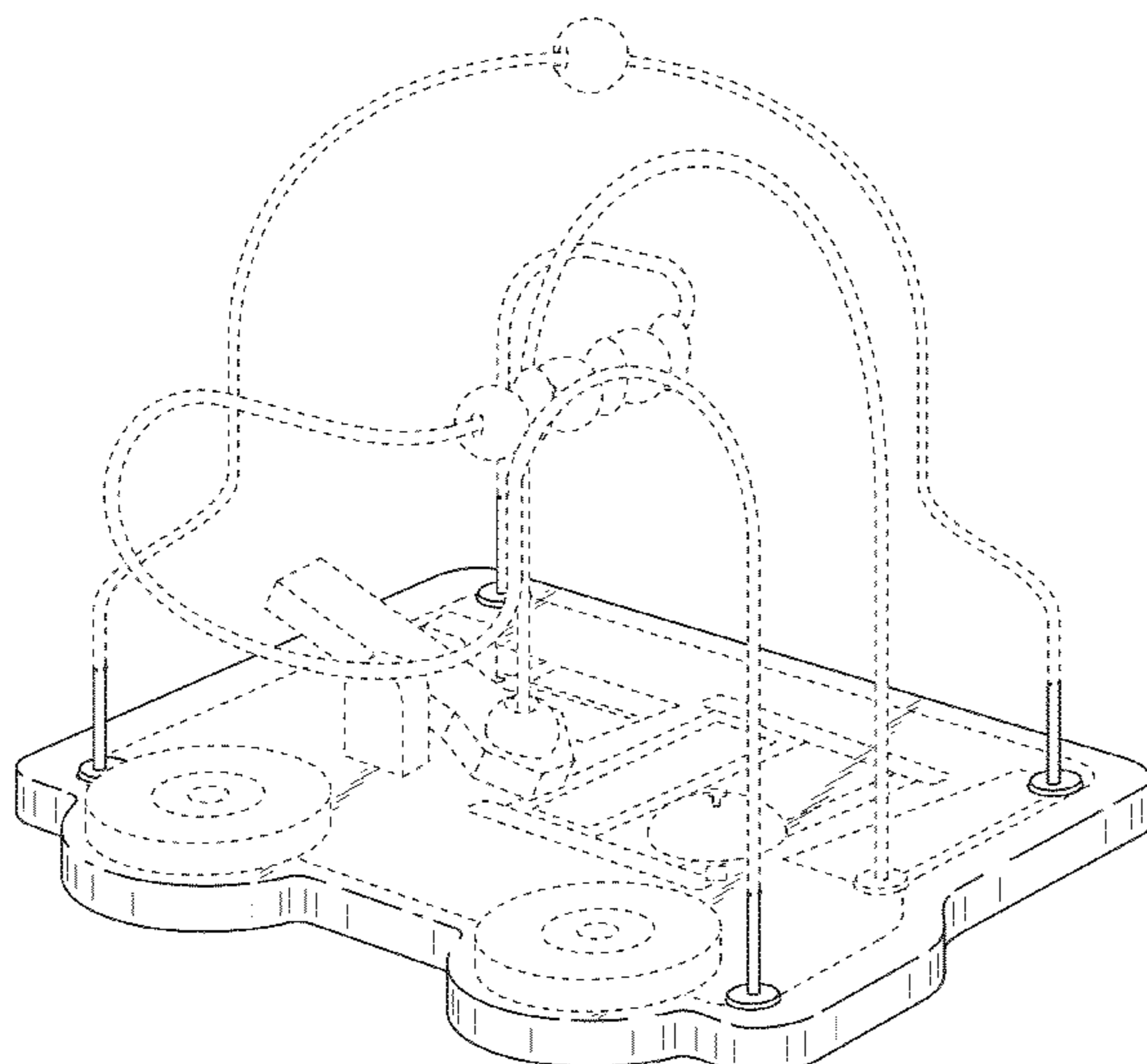
FIG. 5 is a left side view thereof;

FIG. 6 is a top view thereof; and,

FIG. 7 is a bottom view.

The features shown in broken lines are portions of the toy
forming no part of the claimed design. The bolded broken
lines between the solid and broken line portions of the wires
indicate the bounds of the claimed design and otherwise form
no part of the claimed design.

1 Claim, 7 Drawing Sheets



(56)

References Cited

U.S. PATENT DOCUMENTS

5,133,684	A	7/1992	Rhodes et al.	
D333,495	S	2/1993	Klaus	
5,195,919	A *	3/1993	Hasegawa	446/397
5,213,504	A *	5/1993	Lee et al.	434/84
D345,176	S *	3/1994	Monzyk	D19/42
D361,605	S	8/1995	Flemons	
D382,922	S *	8/1997	Dirden	D21/552
D393,889	S *	4/1998	Chesler	D21/468
D397,743	S *	9/1998	Chesler	D21/548
D402,336	S *	12/1998	Thomas	D21/552
D419,911	S *	2/2000	Bonde	D11/133
D451,969	S *	12/2001	Chesler	D21/468
D484,543	S *	12/2003	Lachner, Sr.	D20/35
D565,117	S *	3/2008	Jones	D20/35
D622,764	S	8/2010	Halbur et al.	
2004/0185949	A1 *	9/2004	Bromley	472/135
2009/0111351	A1 *	4/2009	Krochak et al.	446/137
2011/0136404	A1	6/2011	Silvergate et al.	

OTHER PUBLICATIONS

“Boikido Wooden Marine Maze,” printed from www.toysrus.com/product/index.jsp?productId=4086530 on Jan. 24, 2012 (3 pages).
 “Children’s Educational Mouse Family Maze Wooden Beads Toy Set,” printed from www.dinodirect.com/wooden-beads-toy-mouse-family-maze-childrens-educational.html?cur=USD&AFFID=11&DinoDirect on Jan. 24, 2012 (4 pages).
 “Circle of Fun by Anatex,” printed from www.amazon.com in Jan. 2012 (6 pages).
 “Circus Wire & Bead Toy,” printed from www.sensoryedge.com/circus-wire-bead-toy.html on Jan. 24, 2012 (2 pages).

“Everearth Busy Pond Activity Center,” printed from www.toysrus.com in Nov. 2011 (4 pages).
 “City Beads Urban Themed Wired Bead Maze by Wonderworld,” publicly available from www.woodentoddler toys.com at least as early as 2011 (4 pages).
 Photograph of Imaginarium Wooden School Bus Shape Sorter and Bead Maze available publicly for sale at least as early as Nov. 2011 (1 page).
 “Loopty Loo Wood Bead Maze Toy,” printed from www.onestepahead.com/catalog/product.jsp?productId=53819...rderType=none&utm_source=none&utm_medium=none&utm_campaign=none in Jun. 2012 (2 pages).
 “Melissa & Doug Multi-Activity Bead Maze,” printed from www.amazon.com in Nov. 2011 (1 page).
 “Numerical Shape Sorter,” available from www.gamtrek.ca/index.php?main_page=product_info&cPath=3_118&products_id=1823 as early as 2009 (2 pages).
 “Space Shuttle Rollercoaster Play Table,” www.sensoryedge.com/space-shuttler-rollercoaster-table.html available at least as early as Jan. 5, 2011 per www.internetarchive.org (2 pages).
 “Submarine Rollercoaster Bead Table,” www.sensoryedge.com/anatex-submarine-play-table.html available at least as early as Jan. 5, 2011 per www.internetarchive.org (2 pages).
 “Submarine Wall Panel Toy,” www.sensoryedge.com/submarine-wall-panel-toy.html#topofpage available at least as early as Jan. 6, 2011 per www.internetarchive.org (2 pages).
 “EverEarth Eco-Friendly Amazon Bead Fun,” printed from www.target.com in Jan. 2012 (3 pages).
 “Traffic Jam Rollercoaster Bead Table,” printed from www.sensoryedge.com/traffic-jam-rollercoaster-bead-table.html in Jan. 2012 (2 pages).
 “Zany Zoo,” printed from www.amazon.com in Nov. 2011 (2 pages).

* cited by examiner

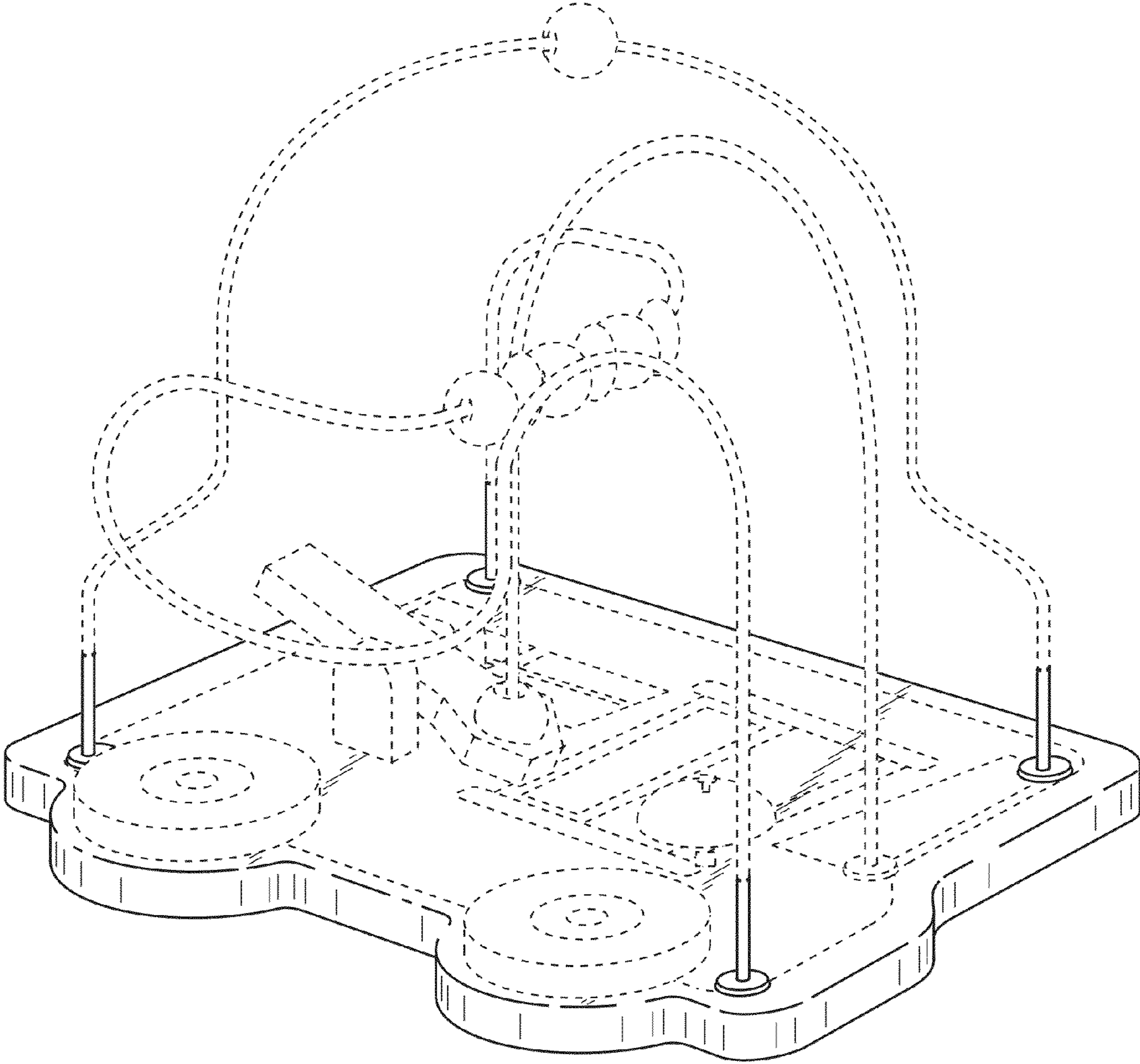


FIG. 1

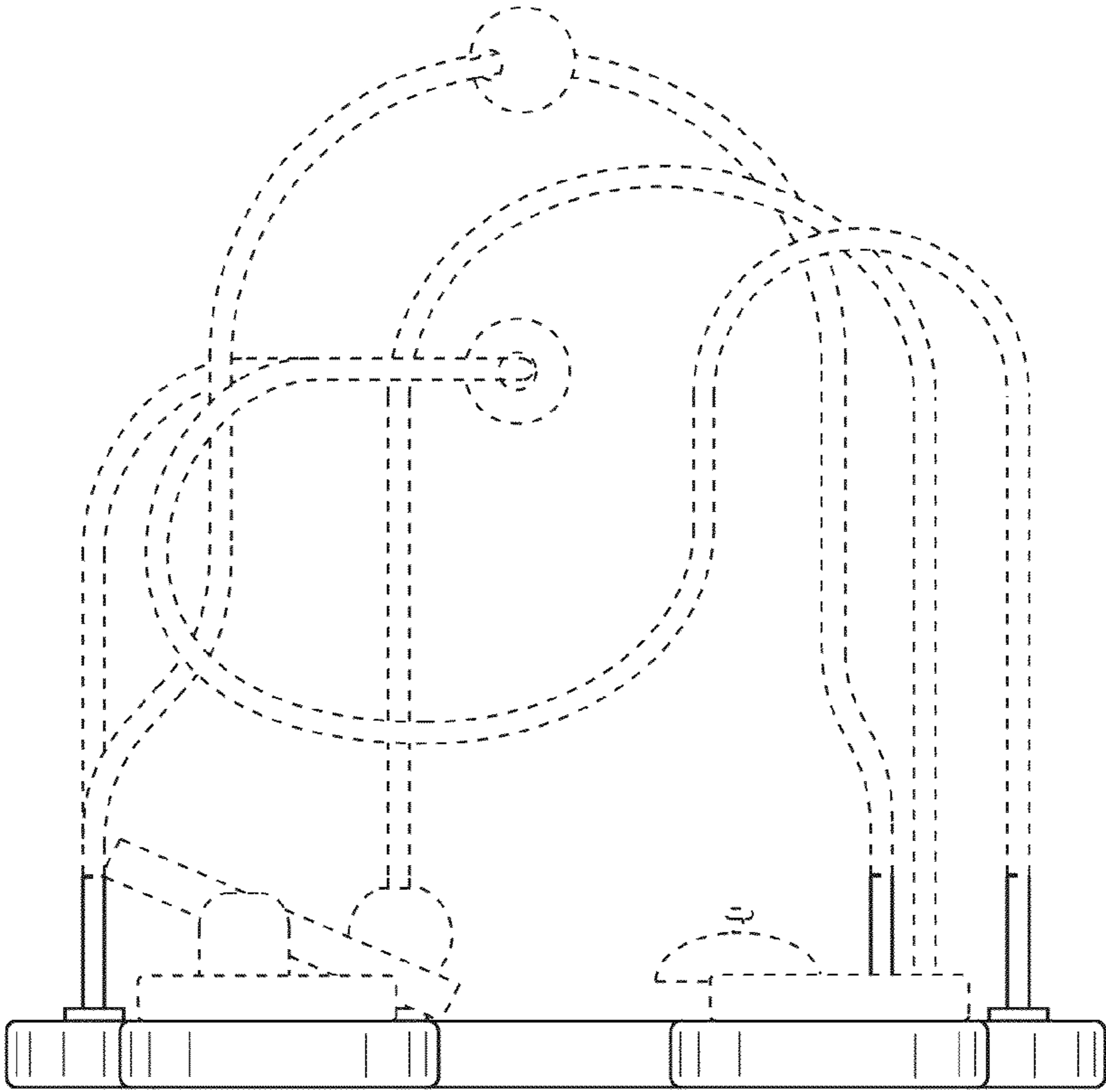


FIG. 2

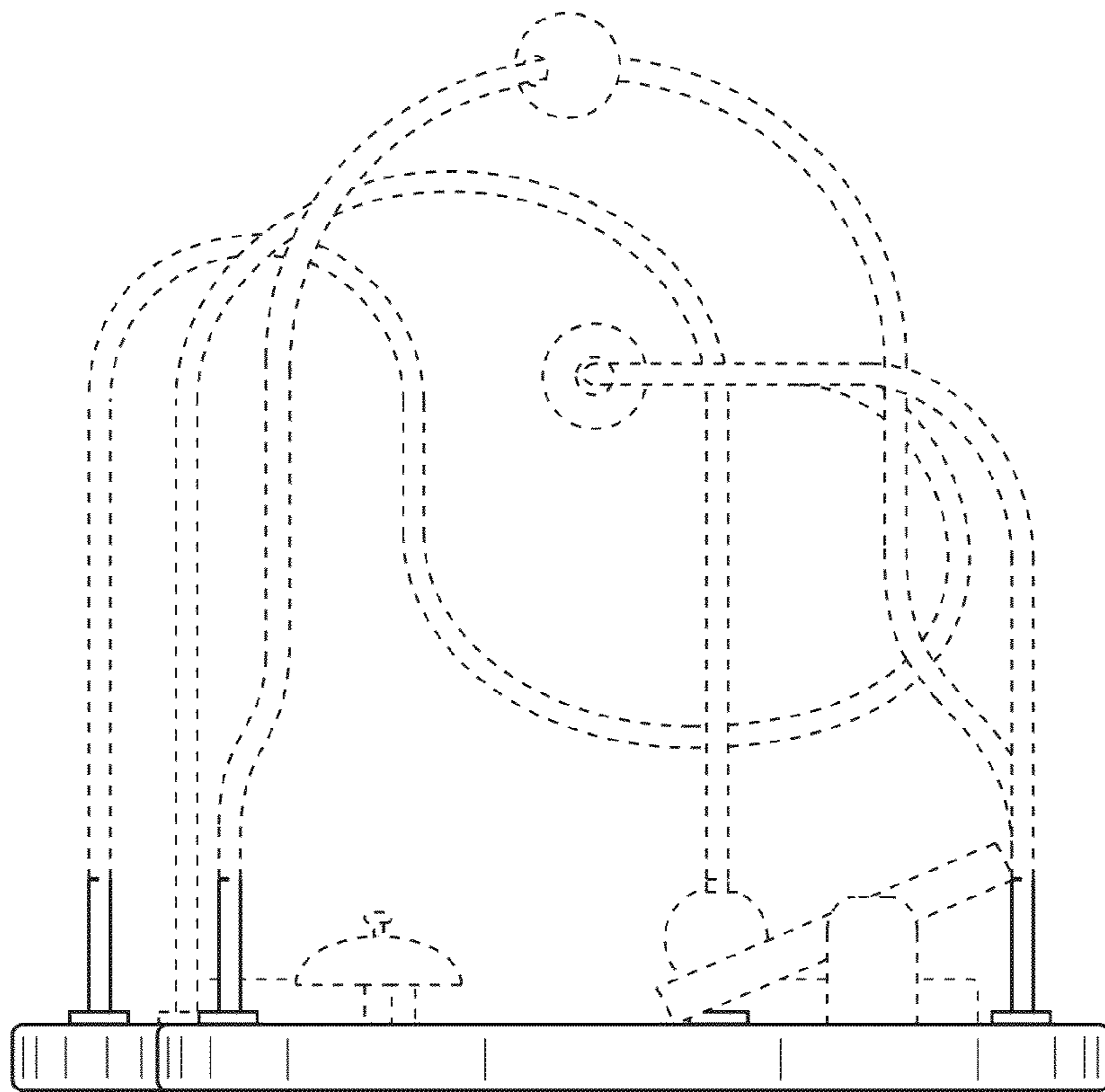


FIG. 3

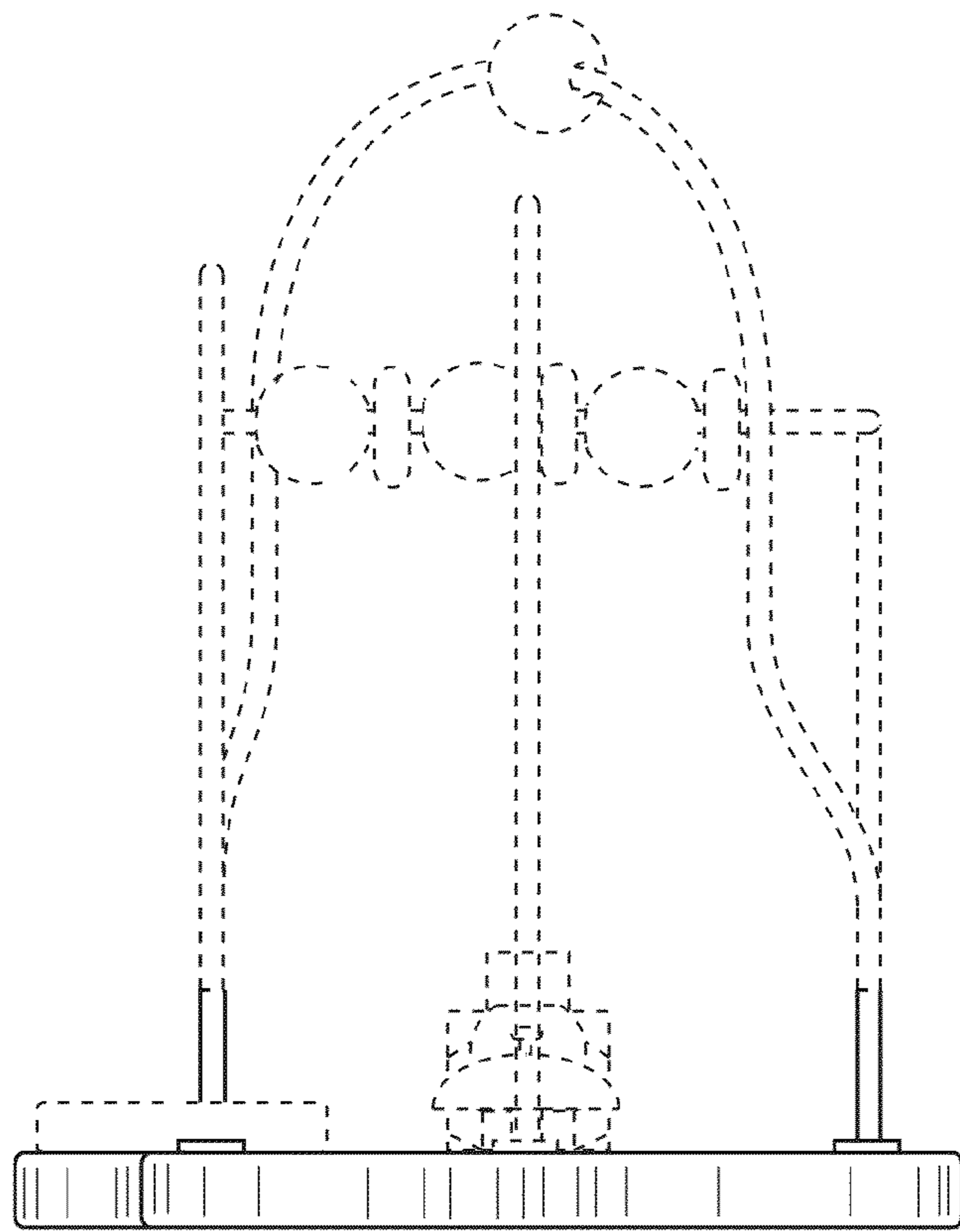


FIG. 4

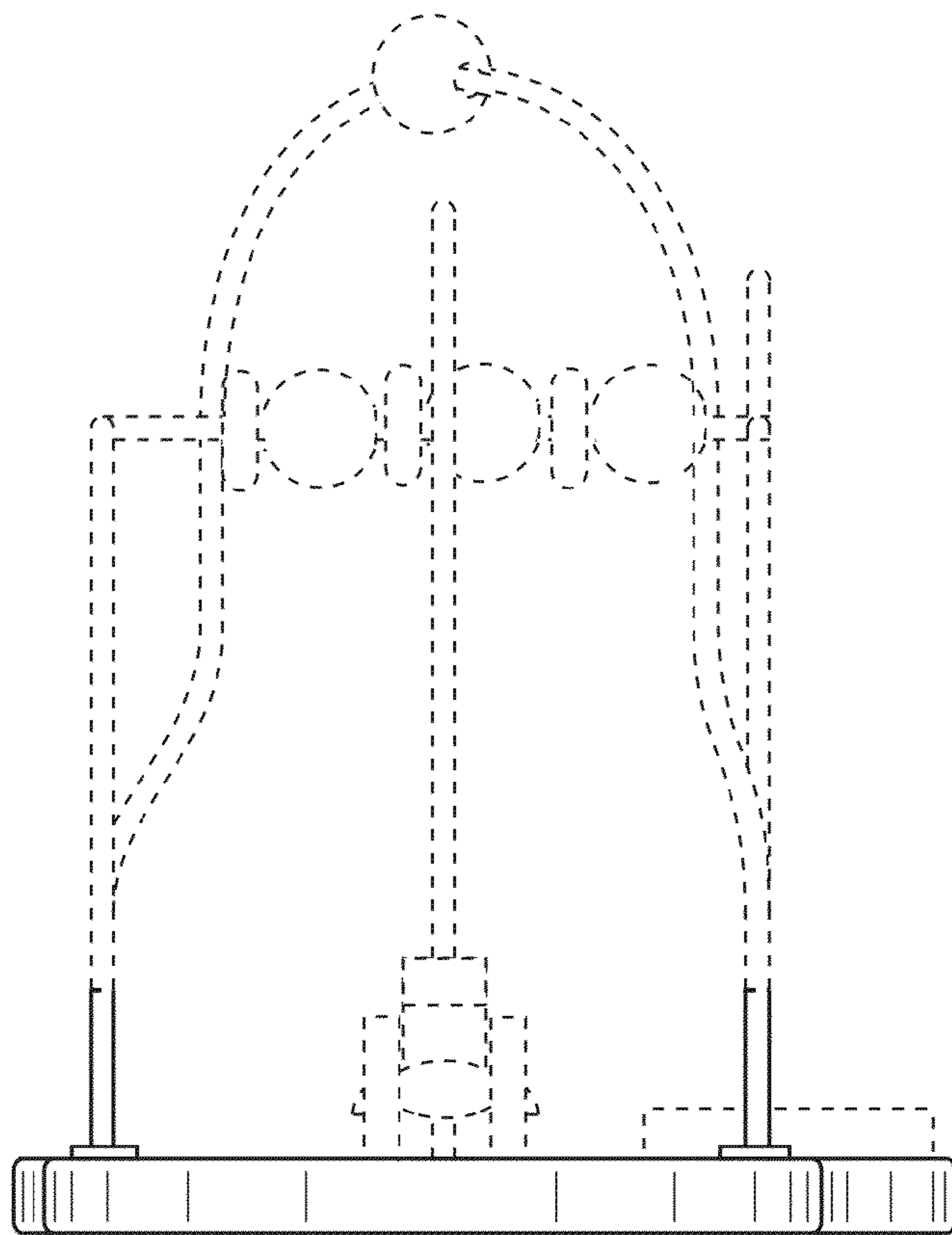


FIG. 5

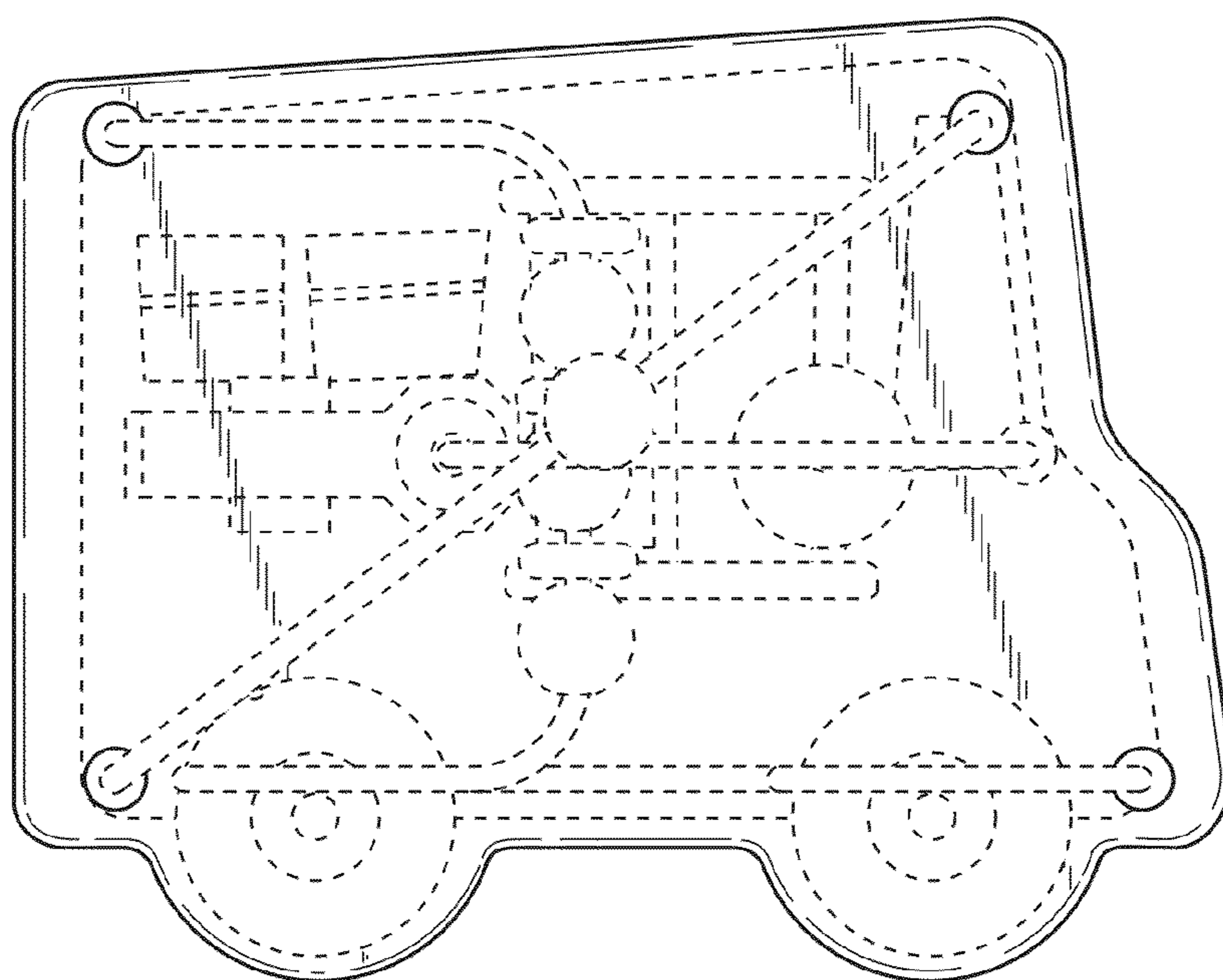


FIG. 6

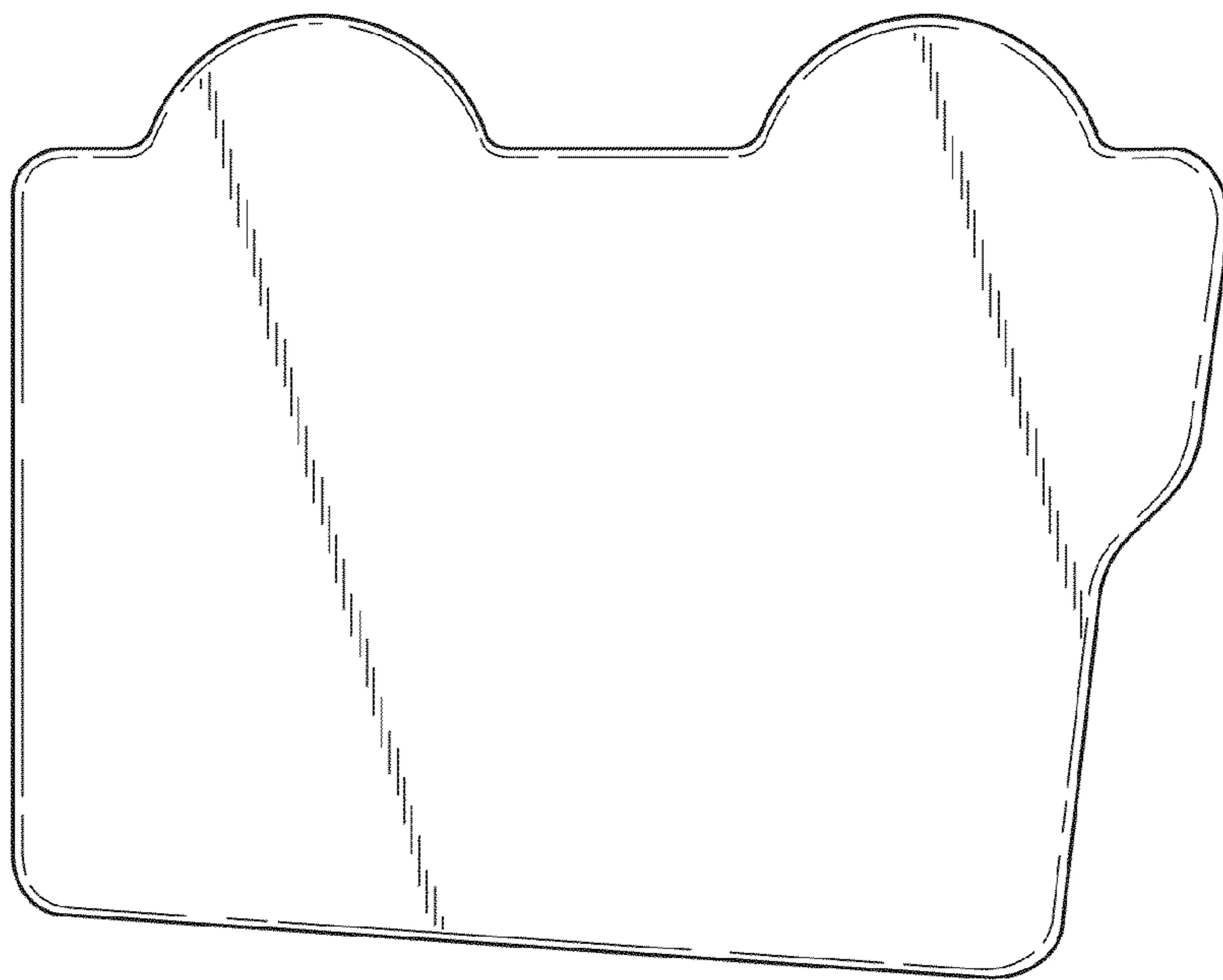


FIG. 7