



US00D717881S

(12) **United States Design Patent**  
**Radtke et al.**

(10) **Patent No.:** **US D717,881 S**  
(45) **Date of Patent:** **\*\* Nov. 18, 2014**

- (54) **SCOOTER**
- (71) Applicant: **Razor USA LLC**, Cerritos, CA (US)
- (72) Inventors: **John Radtke**, Pomona, CA (US);  
**William Griggs**, Anaheim, CA (US);  
**Robert Hadley**, Yorba Linda, CA (US)
- (73) Assignee: **Razor USA LLC**, Cerritos, CA (US)
- (\*\*) Term: **14 Years**
- (21) Appl. No.: **29/471,704**
- (22) Filed: **Nov. 4, 2013**

- 1,570,189 A 1/1926 Sturm
- 1,658,068 A 2/1928 White
- 1,687,953 A 10/1928 Starks
- 1,968,975 A 8/1934 Upsacker et al.
- 2,546,711 A 3/1951 Amendt
- 3,396,928 A 8/1968 Lay
- 4,144,822 A 3/1979 Roberts et al.
- 4,584,735 A 4/1986 Garber
- 4,707,884 A 11/1987 Chang
- 4,735,392 A 4/1988 Farmer
- 4,905,946 A 3/1990 Wang
- 5,102,079 A 4/1992 Lee
- 5,183,129 A 2/1993 Powell
- 5,238,082 A 8/1993 Stegeman et al.
- 5,437,425 A 8/1995 Hou
- 5,630,633 A 5/1997 Dupre et al.
- 5,692,761 A 12/1997 Havlovitz

(Continued)

**Related U.S. Application Data**

- (63) Continuation of application No. 29/430,885, filed on Aug. 30, 2012, now Pat. No. Des. 692,963.
- (51) **LOC (10) Cl.** ..... **21-01**
- (52) **U.S. Cl.**  
USPC ..... **D21/423**
- (58) **Field of Classification Search**  
CPC ..... B62K 3/002; B62K 9/00; B62K 9/02;  
B62K 13/00; B62K 2202/00  
USPC ..... D21/419, 421, 423, 426, 769, 760, 765,  
D21/771, 803; D12/1, 8; 280/14.21, 14.25,  
280/14.26, 87.041, 87.042, 263, 288.1,  
280/288.2, 288.4, 200, 214, 809; 180/180,  
180/181  
See application file for complete search history.

*Primary Examiner* — Cynthia M Chin

(74) *Attorney, Agent, or Firm* — Knobbe Martens Olson & Bear, LLP

(57) **CLAIM**

The ornamental design for a scooter, as shown and described.

**DESCRIPTION**

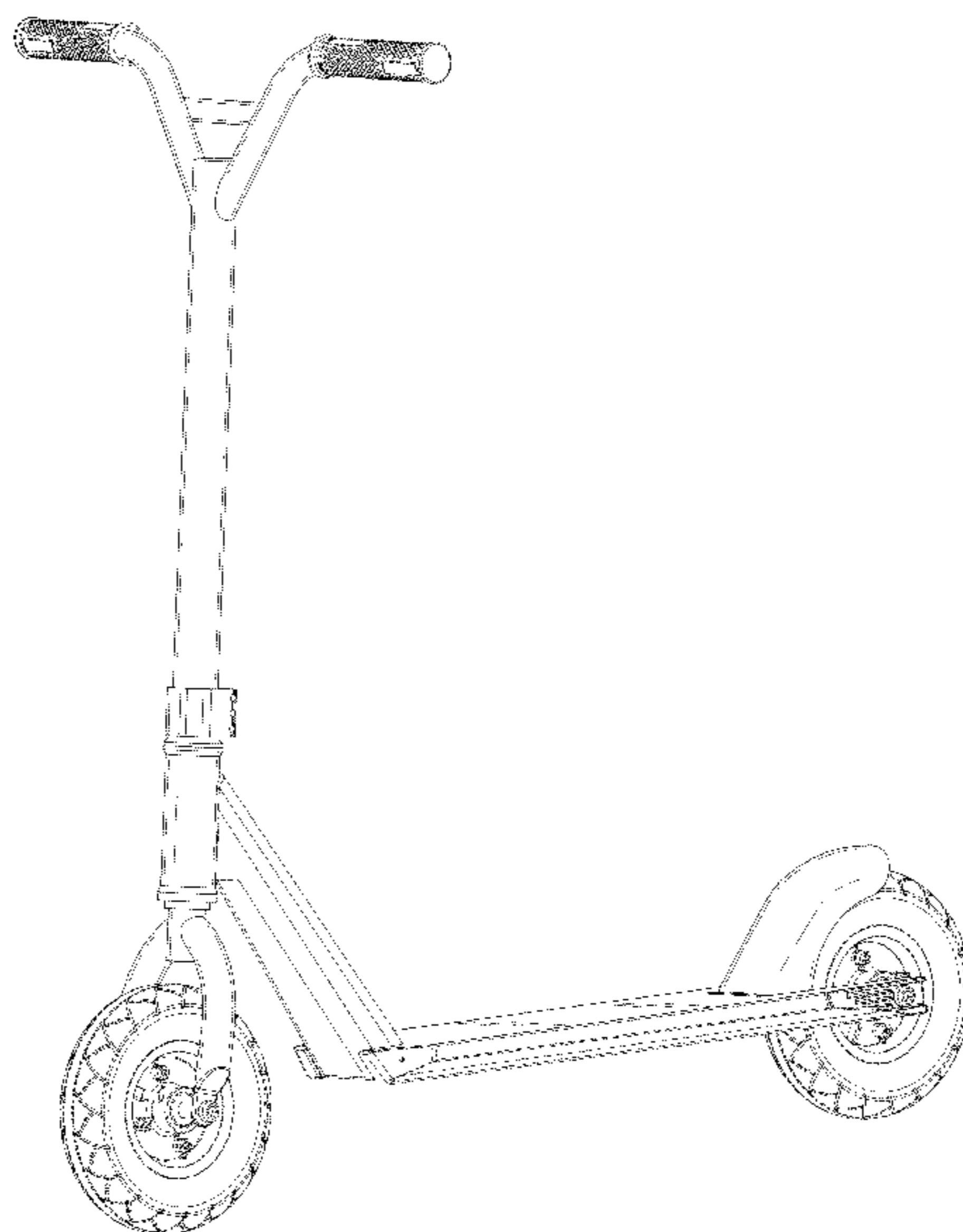
FIG. 1 is a perspective view of a scooter.  
 FIG. 2 is another perspective view of the scooter of FIG. 1.  
 FIG. 3 is a front view of the scooter of FIG. 1.  
 FIG. 4 is a rear view of the scooter of FIG. 1.  
 FIG. 5 is a top side view of the scooter of FIG. 1.  
 FIG. 6 is a bottom side view of the scooter of FIG. 1.  
 FIG. 7 is a left side view of the scooter of FIG. 1; and,  
 FIG. 8 is a right side view of the scooter of FIG. 1.  
 Where utilized, the broken lines show portions of the scooter that form no part of the claimed design.

(56) **References Cited**

**U.S. PATENT DOCUMENTS**

- 1,297,282 A 3/1919 White
- 1,391,312 A 9/1921 Gebhardt

**1 Claim, 6 Drawing Sheets**



(56)

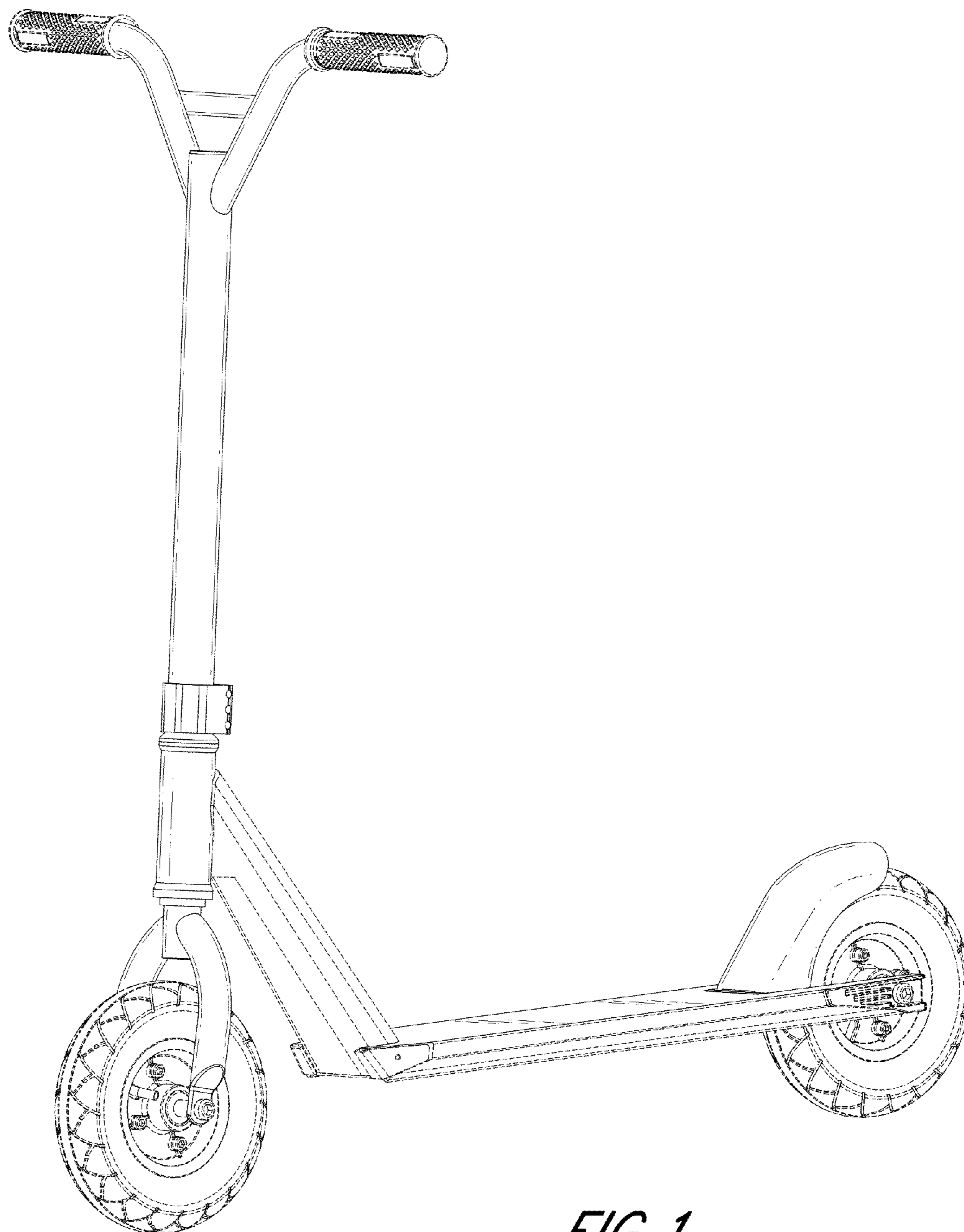
**References Cited**

U.S. PATENT DOCUMENTS

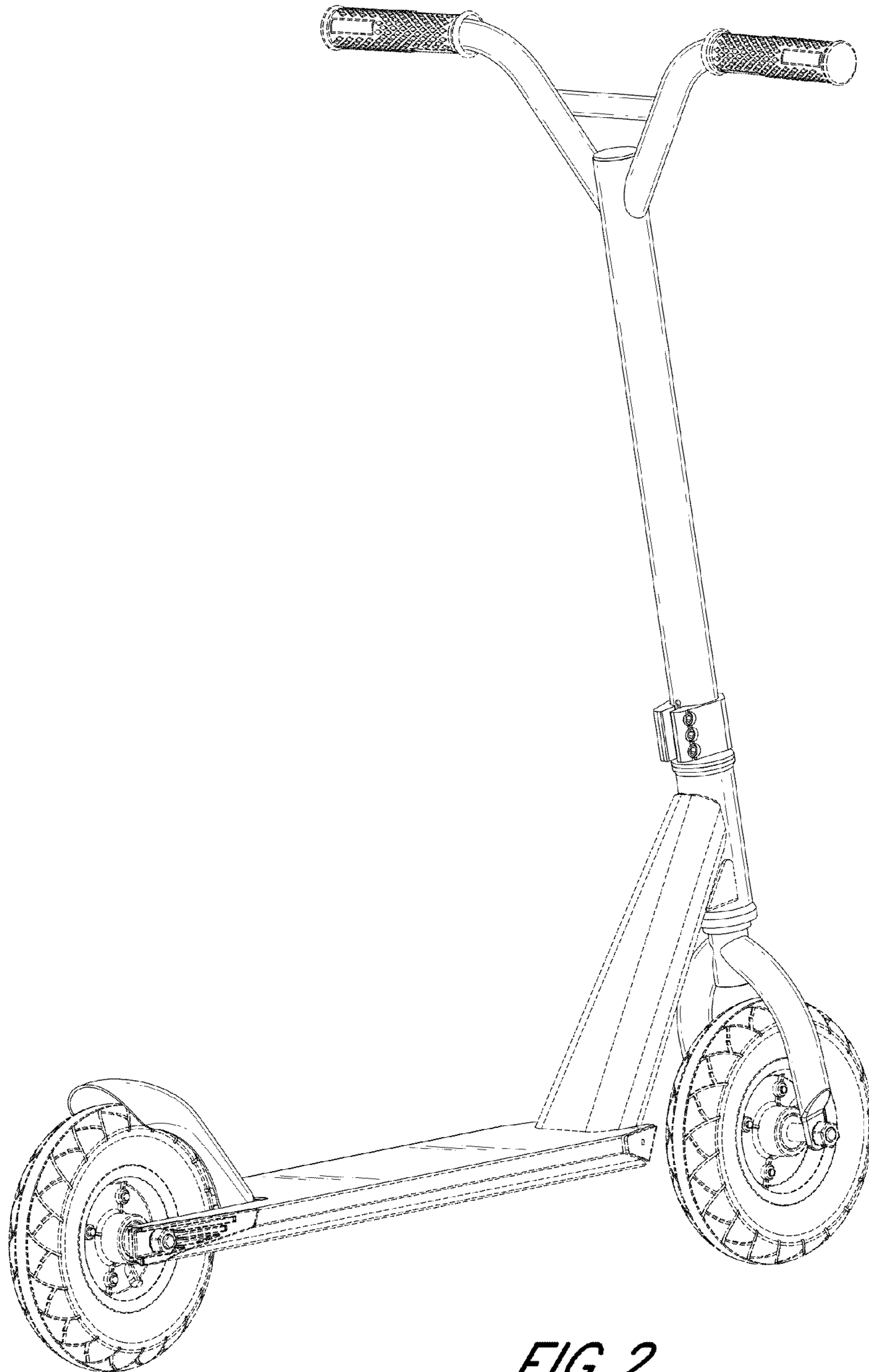
5,816,614 A 10/1998 Kramer, Jr. et al.  
5,848,660 A 12/1998 McGreen  
5,927,733 A 7/1999 Banda  
5,938,223 A 8/1999 Kotlier  
5,992,566 A 11/1999 Yeh  
6,120,044 A 9/2000 Tsai  
D435,873 S \* 1/2001 Lee ..... D21/423  
D435,874 S \* 1/2001 Cheng ..... D21/423  
6,173,976 B1 \* 1/2001 Lee ..... 280/87.041  
6,182,988 B1 2/2001 Wu

D438,912 S \* 3/2001 Barrera ..... D21/423  
6,206,387 B1 3/2001 Tsai  
D446,259 S \* 8/2001 Udwin et al. .... D21/423  
D452,284 S \* 12/2001 McGinnis ..... D21/423  
6,378,880 B1 \* 4/2002 Lin ..... 280/87.05  
6,431,567 B2 8/2002 Tsai  
D463,508 S \* 9/2002 Stroppiana ..... D21/423  
D467,625 S \* 12/2002 Clark et al. .... D21/423  
7,976,035 B2 \* 7/2011 Chan ..... 280/87.05  
D654,963 S \* 2/2012 Powers et al. .... D21/423  
8,113,525 B2 \* 2/2012 Lin ..... 280/87.041  
D684,217 S \* 6/2013 Hadley ..... D21/423

\* cited by examiner

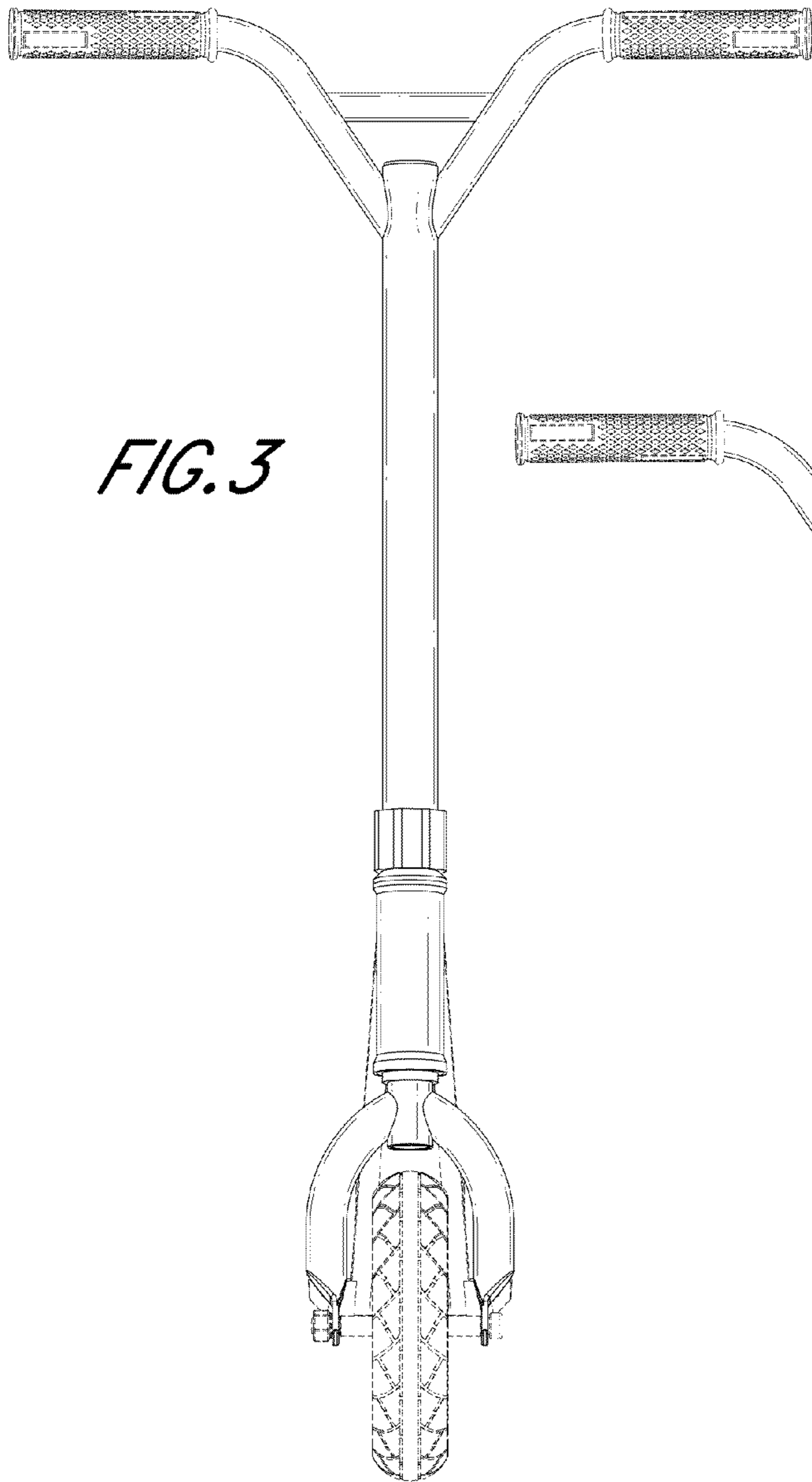


*FIG. 1*

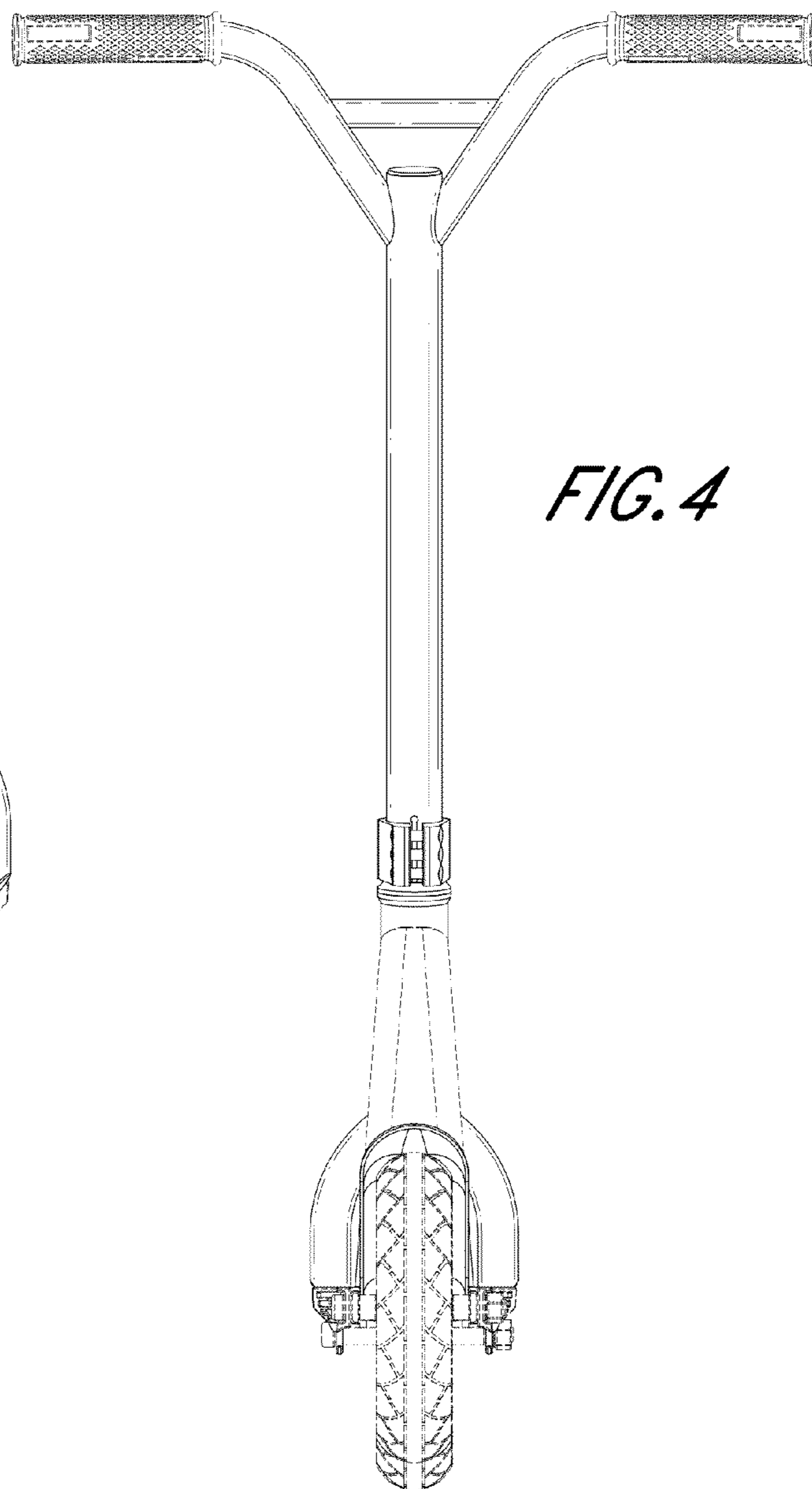


*FIG. 2*

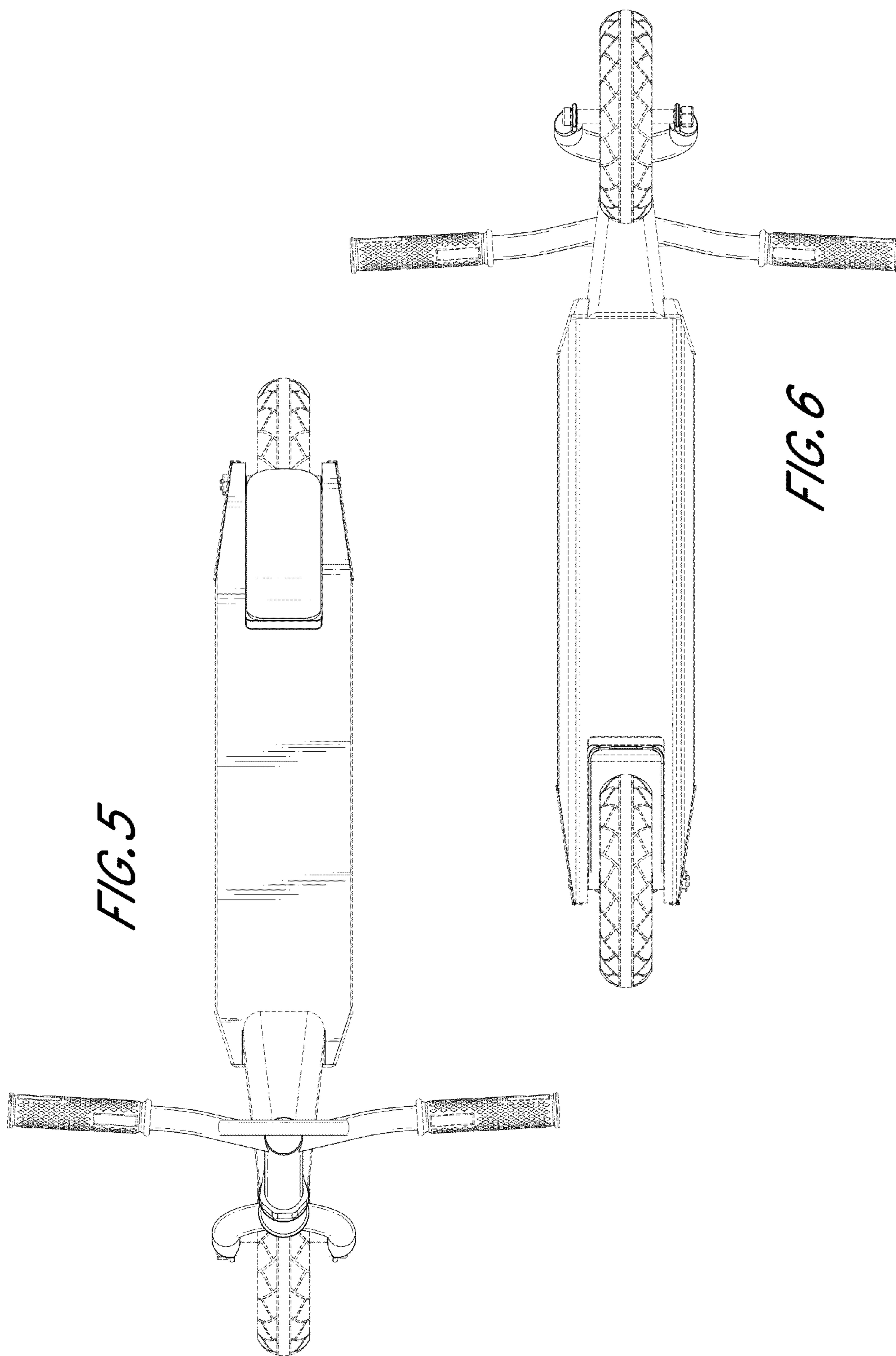




*FIG. 3*

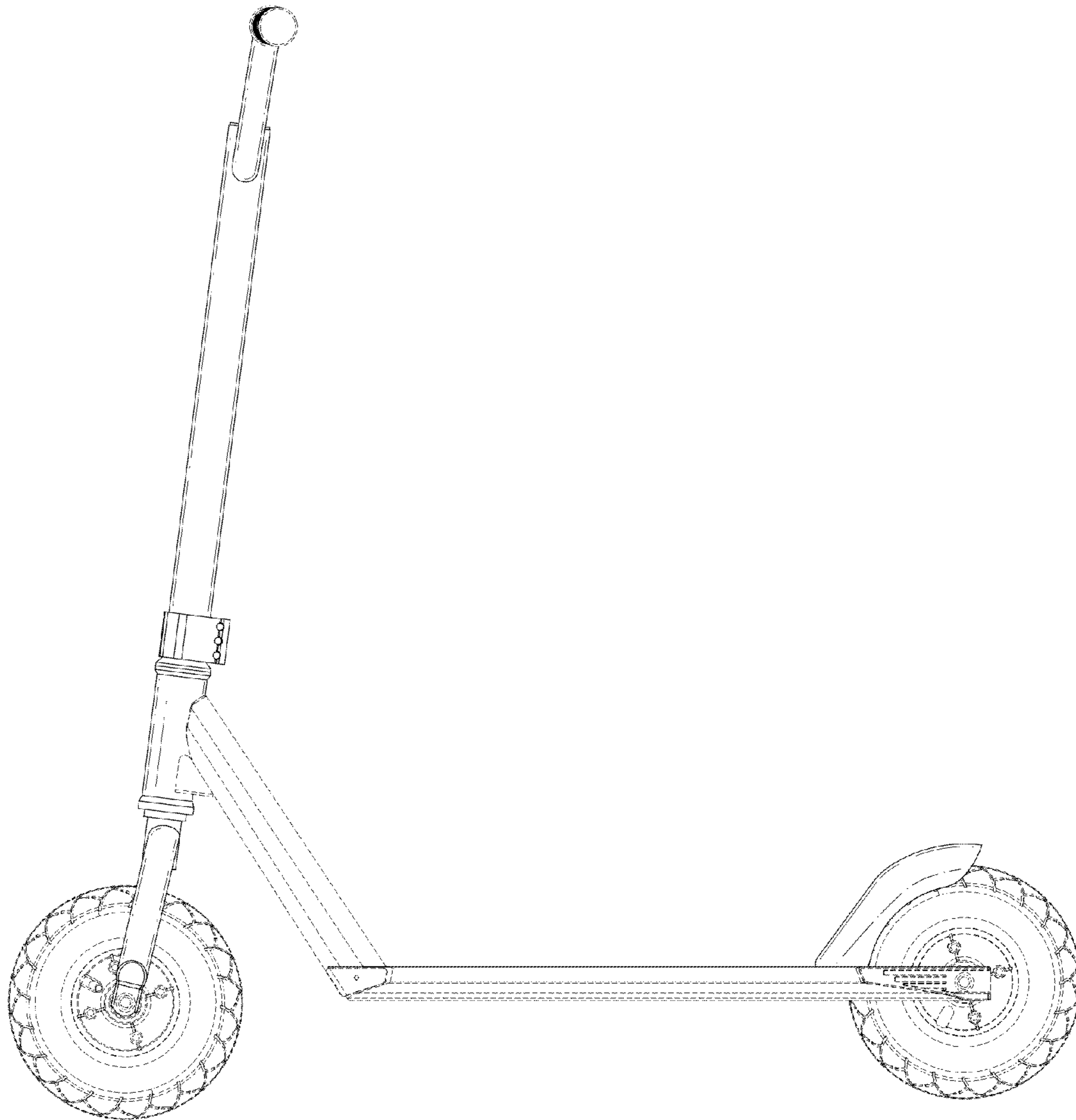


*FIG. 4*

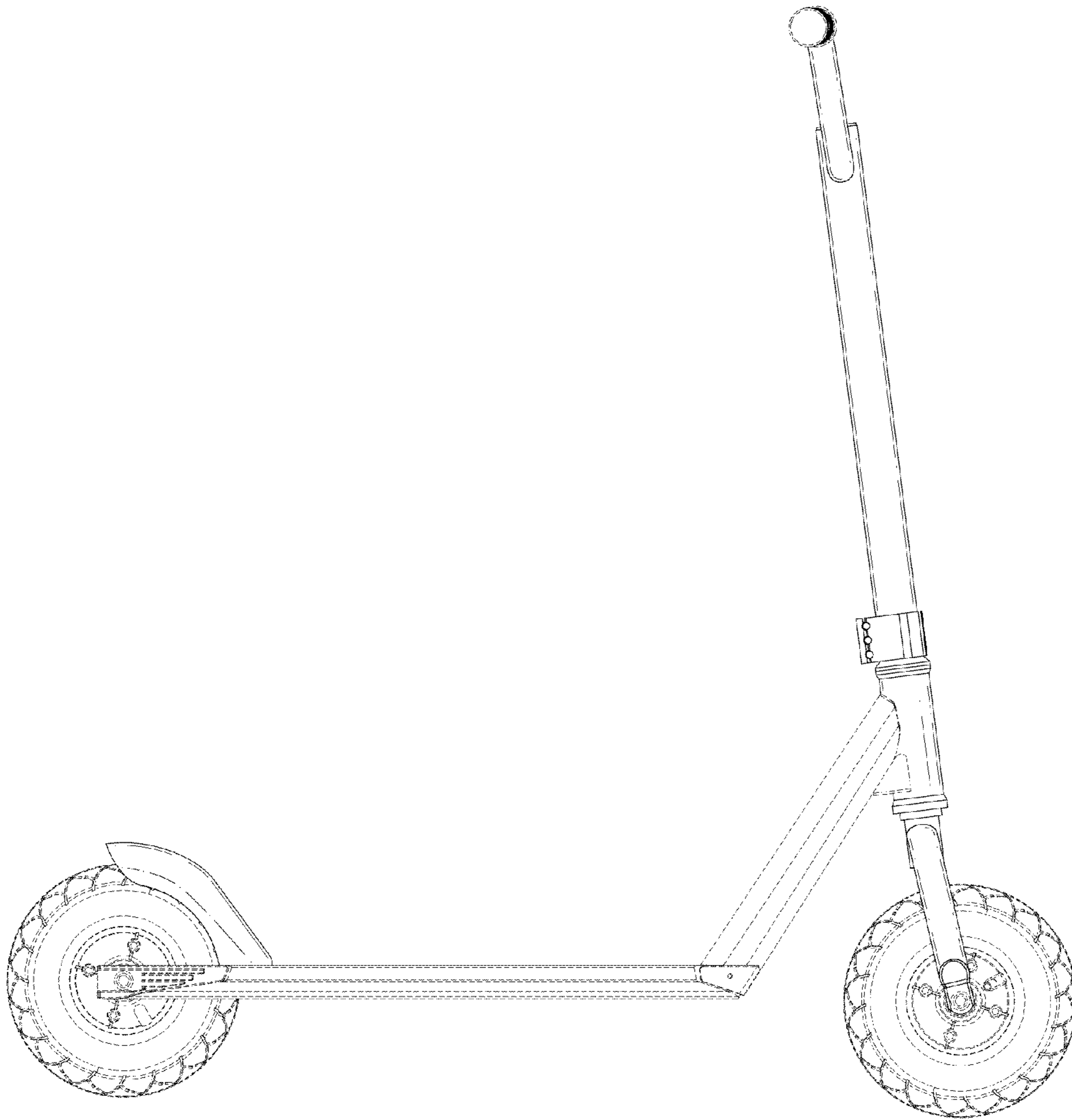


*FIG. 5*

*FIG. 6*



*FIG. 7*



*FIG. 8*