



US00D717880S

(12) **United States Design Patent**  
**Chen**

(10) **Patent No.:** **US D717,880 S**

(45) **Date of Patent:** **\*\* Nov. 18, 2014**

(54) **BUBBLE MAKER TOY**

(71) Applicant: **Bo Chen**, Shantou (CN)

(72) Inventor: **Bo Chen**, Shantou (CN)

(\*\*) Term: **14 Years**

(21) Appl. No.: **29/461,032**

(22) Filed: **Jul. 17, 2013**

(51) **LOC (10) Cl.** ..... **21-01**

(52) **U.S. Cl.**  
USPC ..... **D21/401**

(58) **Field of Classification Search**  
USPC ..... D21/398, 401, 405, 483, 516, 523-528;  
446/15-21, 74, 81, 144, 145, 178, 201,  
446/217, 218, 267, 475, 479, 481, 483  
See application file for complete search history.

(56) **References Cited**

**U.S. PATENT DOCUMENTS**

D153,814	S *	5/1949	Margolis	.....	D20/32
2,547,825	A *	4/1951	King	.....	446/16
3,021,639	A *	2/1962	Allen et al.	.....	446/17
3,399,485	A	9/1968	Cashavelly et al.		
4,044,496	A *	8/1977	Jernstrom	.....	446/16
4,334,383	A	6/1982	Melotti		
5,074,437	A	12/1991	D'Andrade et al.		
D331,609	S	12/1992	LaFata		
5,234,129	A	8/1993	Lau		
5,613,890	A	3/1997	DeMars		
5,730,325	A	3/1998	Cheung		
5,975,358	A	11/1999	Zheng et al.		
6,077,143	A *	6/2000	Gutierrez	.....	446/16
6,682,570	B2	1/2004	Thai		
D490,861	S *	6/2004	Buzzelli	.....	D21/401
6,969,293	B2	11/2005	Thai		
D514,173	S	1/2006	McBride et al.		
7,059,930	B2	6/2006	Choi		
7,144,291	B2 *	12/2006	Thai	.....	446/15
7,172,484	B2 *	2/2007	Thai	.....	446/15
7,172,485	B2	2/2007	Thai		

7,731,064	B2	6/2010	Chuang et al.		
7,780,497	B2 *	8/2010	Thai	.....	446/15
7,922,039	B2	4/2011	Jablonski et al.		
D643,477	S *	8/2011	Lo et al.	.....	D21/401
D678,421	S *	3/2013	Hedeen et al.	.....	D21/401
2002/0132557	A1	9/2002	Yu		
2006/0163278	A1	7/2006	Yeung		
2008/0274662	A1 *	11/2008	Lo et al.	.....	446/16
2012/0220184	A1 *	8/2012	Orem et al.	.....	446/16
2012/0270462	A1	10/2012	Lo		

**FOREIGN PATENT DOCUMENTS**

CN	301695048	*	10/2011
CN	302021631	*	8/2012

\* cited by examiner

*Primary Examiner* — Catherine Tuttle

(74) *Attorney, Agent, or Firm* — Minder Law Group; Willy H. Wong

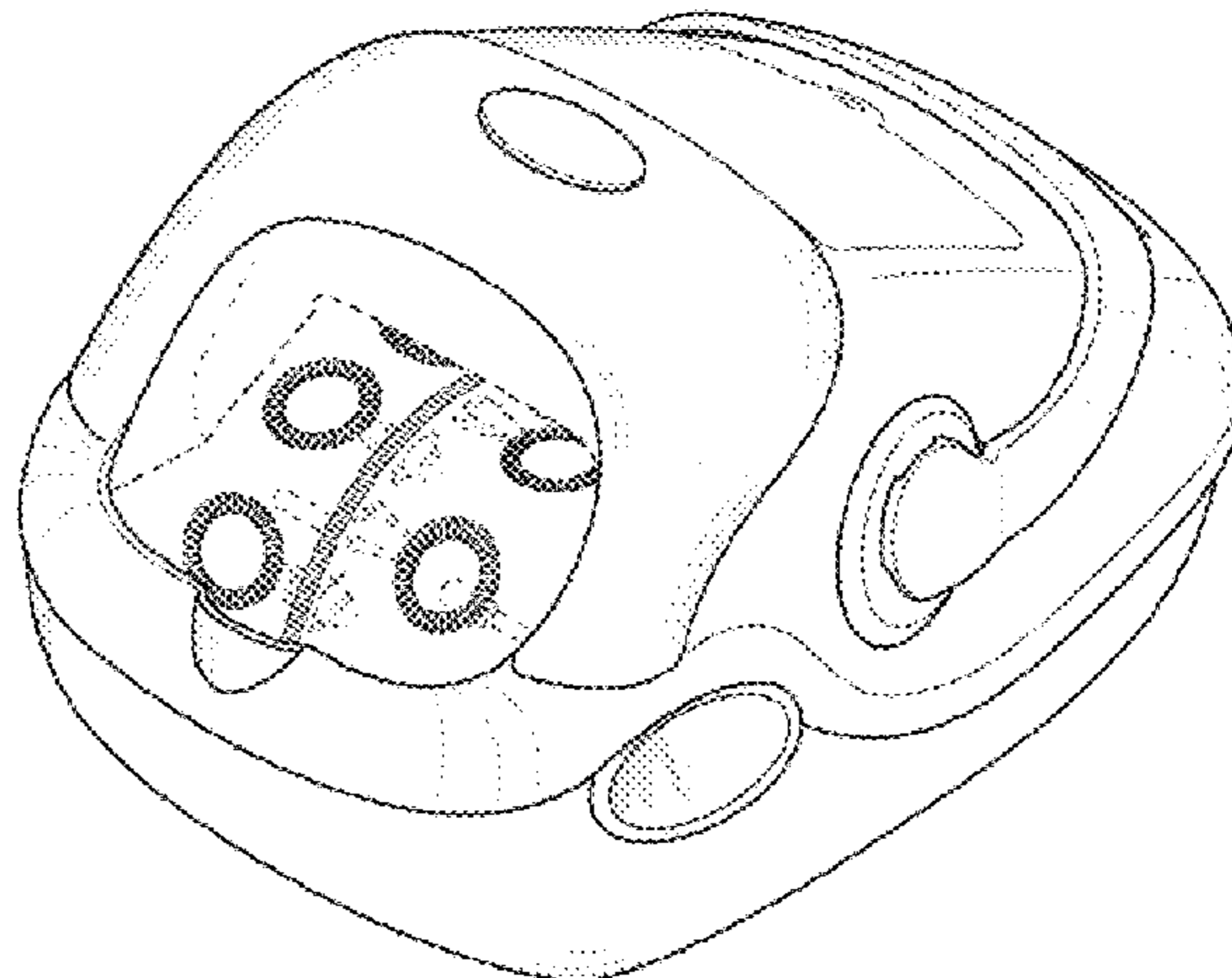
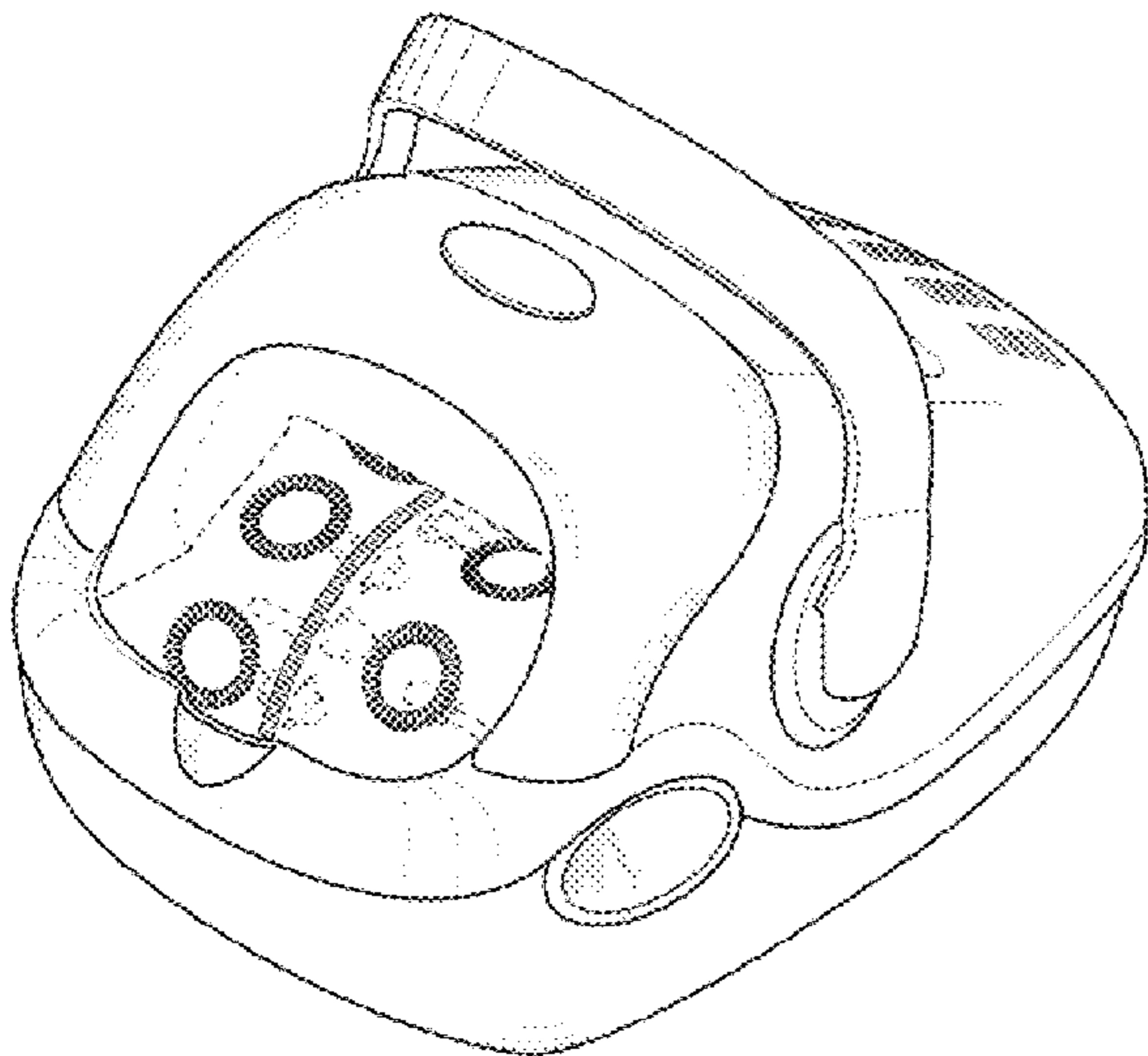
(57) **CLAIM**

The ornamental design for a bubble maker toy, as shown and described.

**DESCRIPTION**

FIG. 1 is a right side view of a bubble maker toy showing my new design;  
FIG. 2 is a left side view thereof;  
FIG. 3 is a front view thereof;  
FIG. 4 is a rear view thereof;  
FIG. 5 is a top view thereof;  
FIG. 6 is a bottom view thereof;  
FIG. 7 is a front perspective view thereof with the handle element in an alternate raised position; and,  
FIG. 8 is a front perspective view thereof showing the handle in a lowered position as in FIGS. 1-5.  
The broken lines are included for the purpose of illustrating portions of the bubble maker toy that form no part of the claimed design.

**1 Claim, 8 Drawing Sheets**



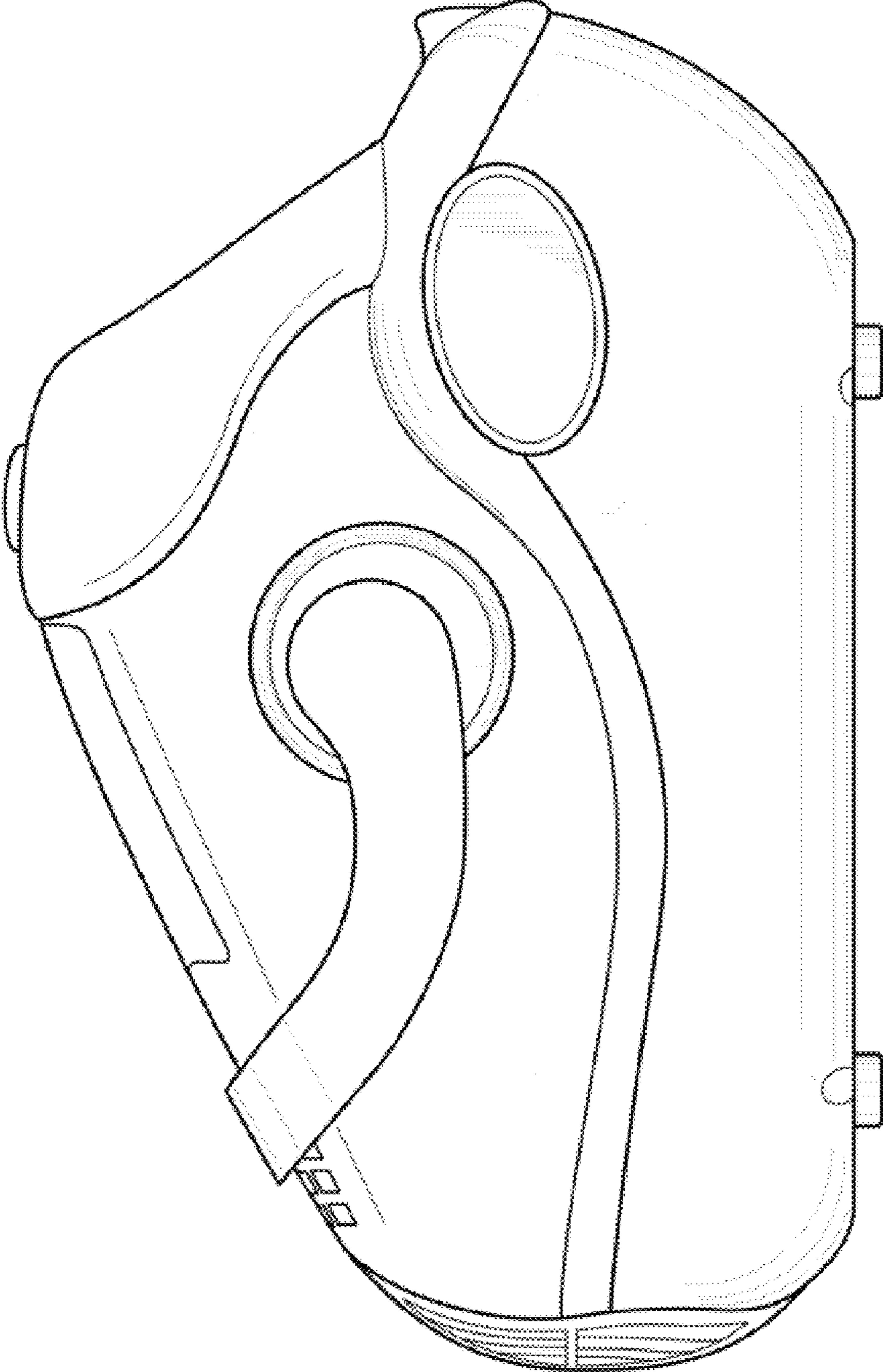


Fig. 1

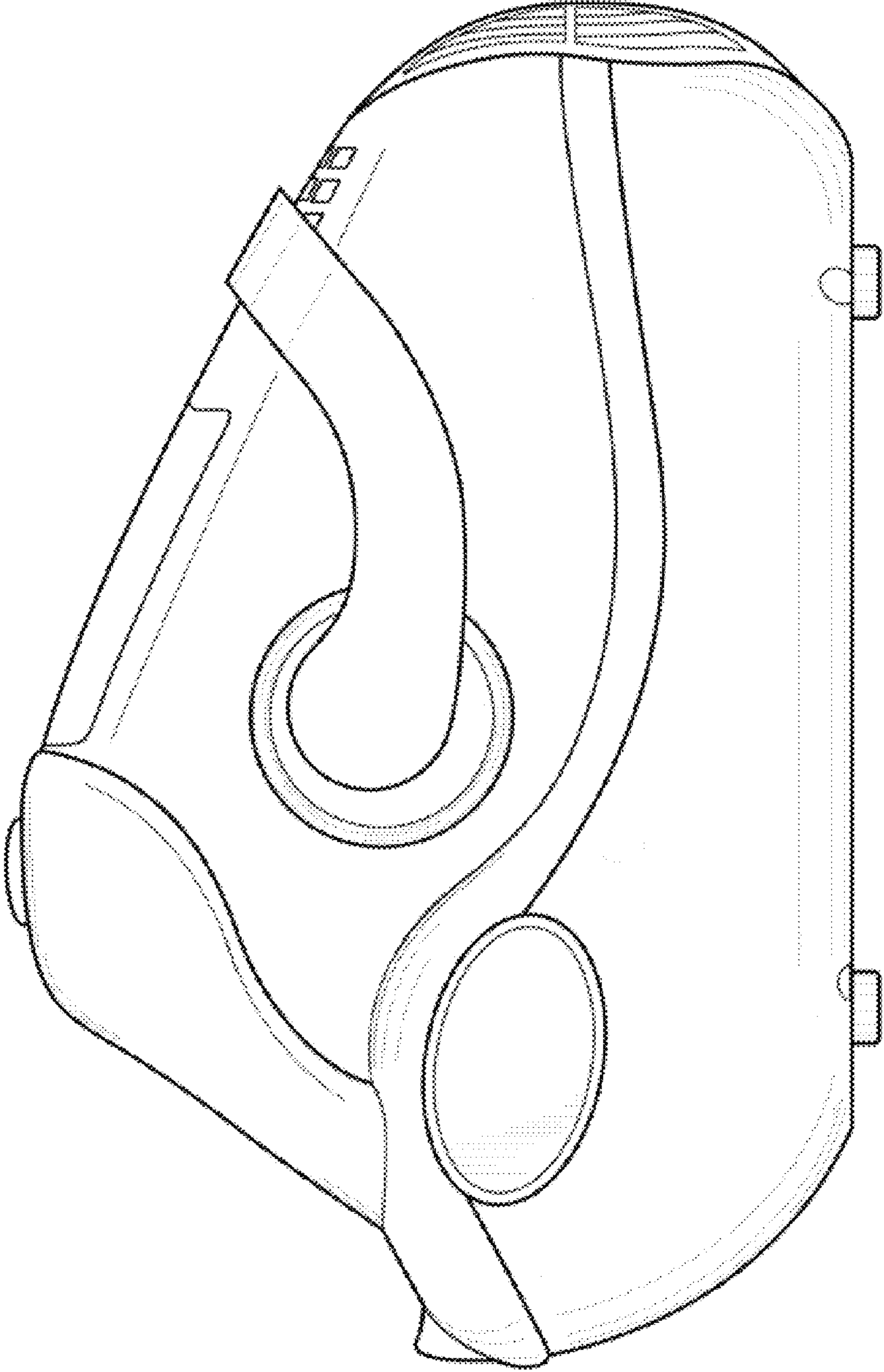


Fig. 2

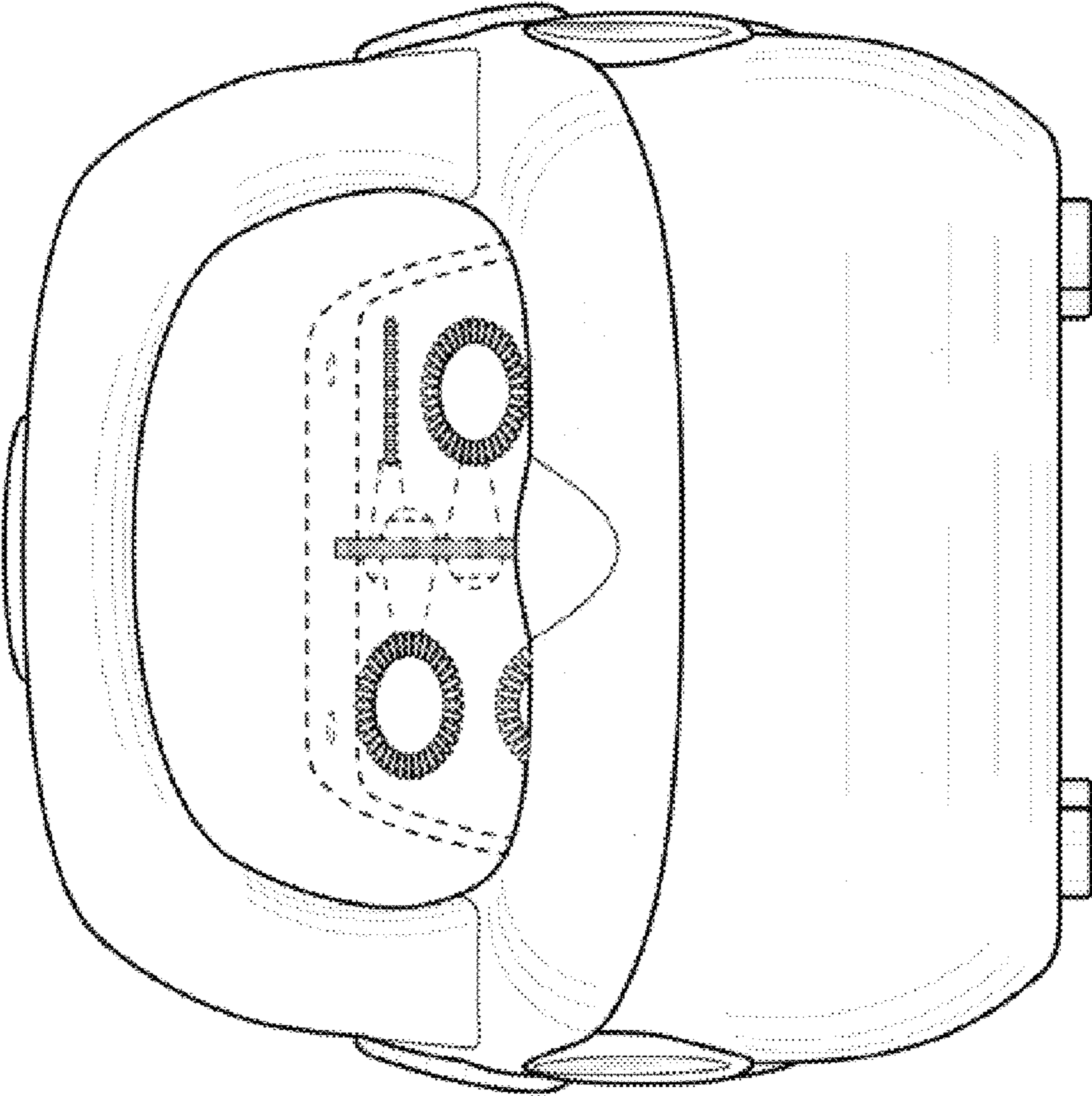


Fig. 3

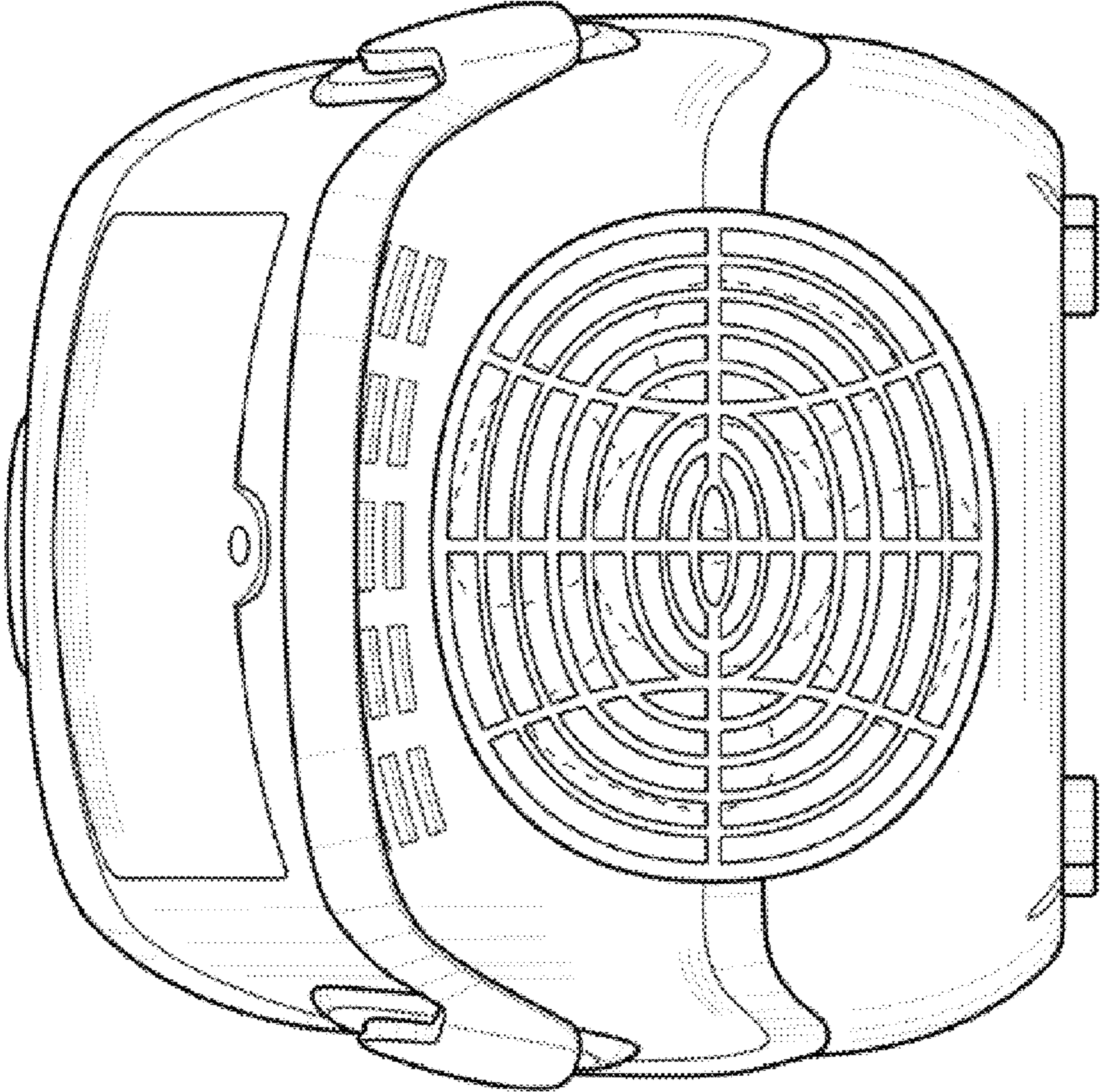


Fig. 4

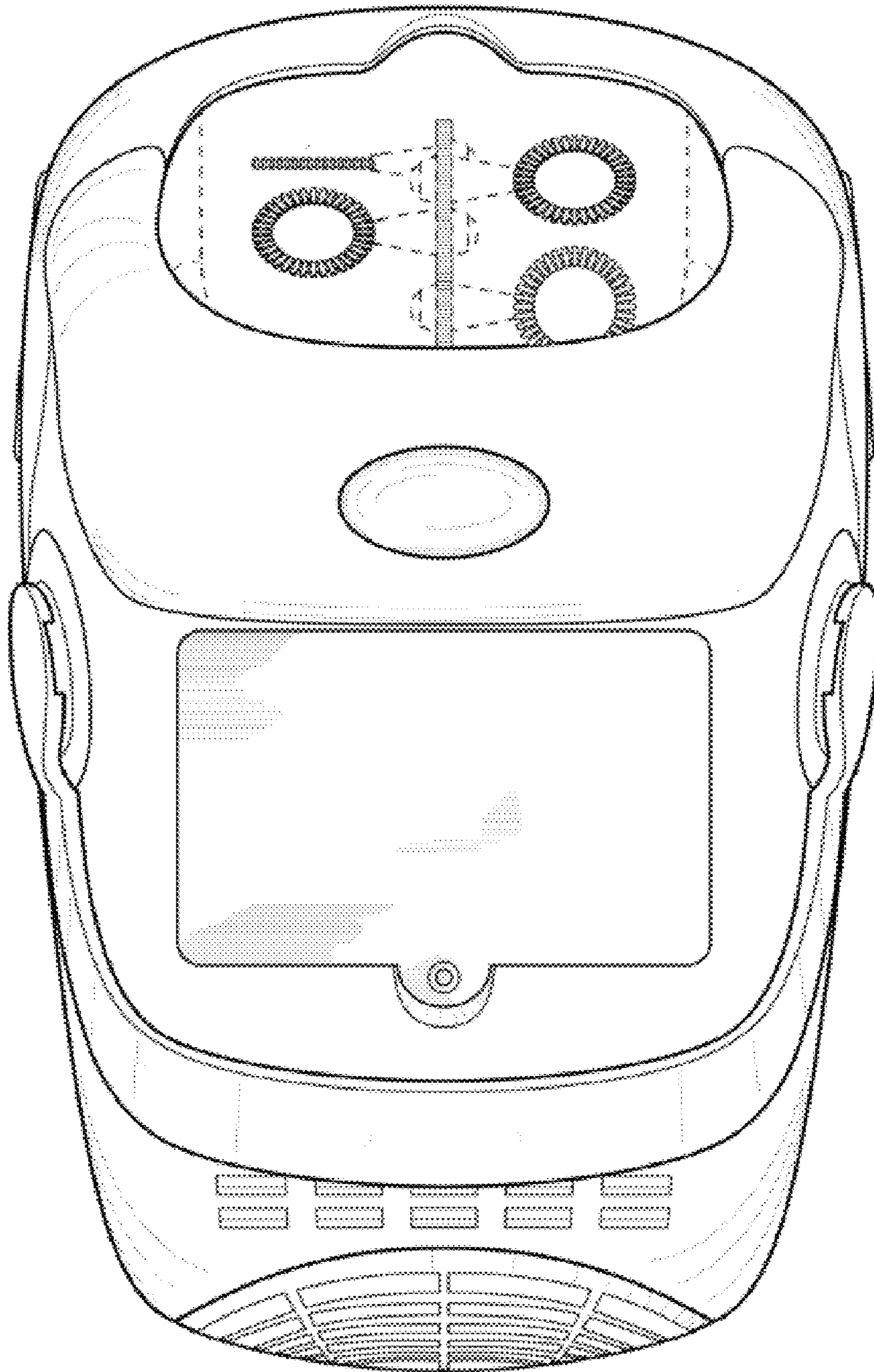


Fig. 5

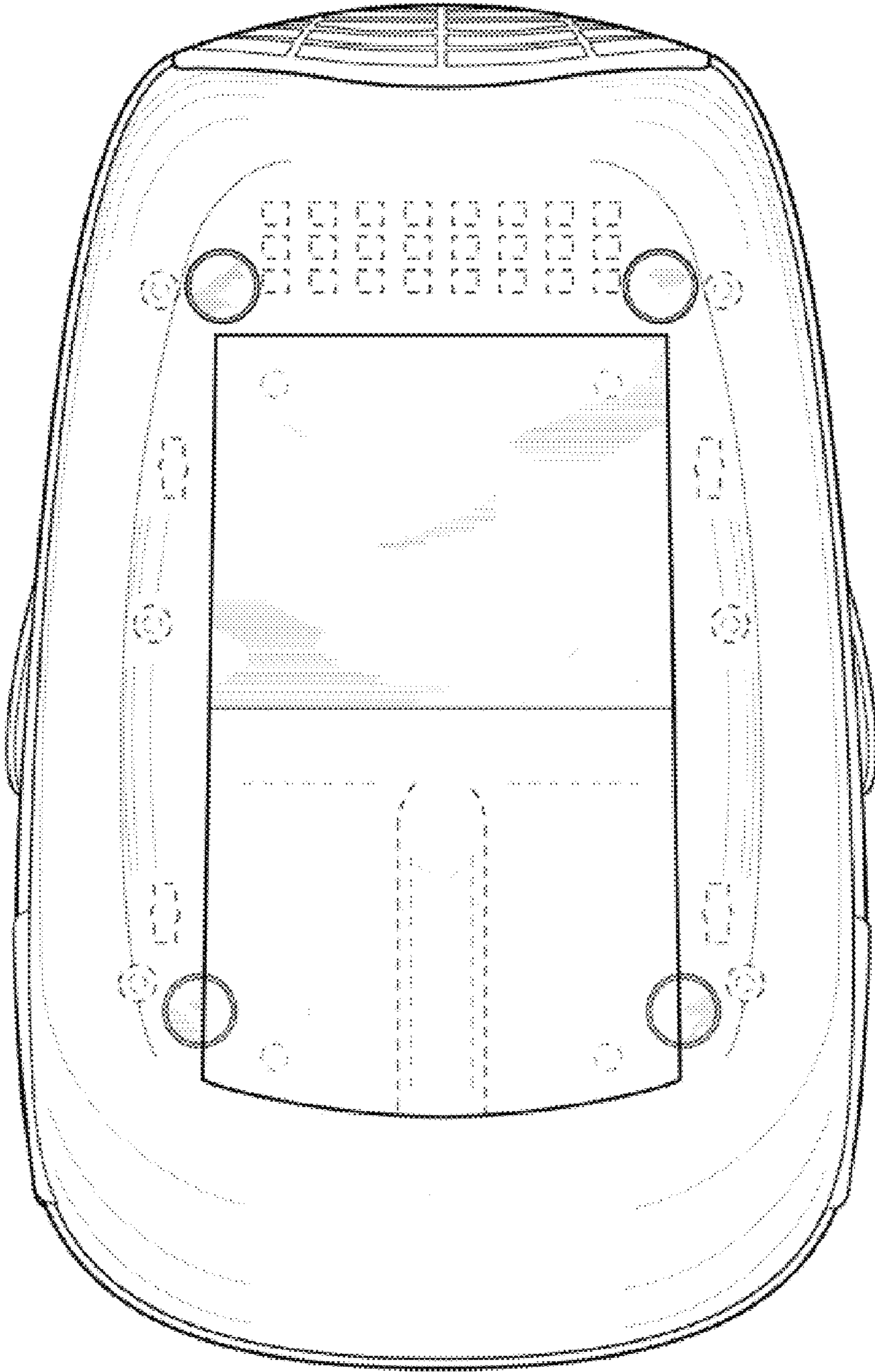


Fig. 6

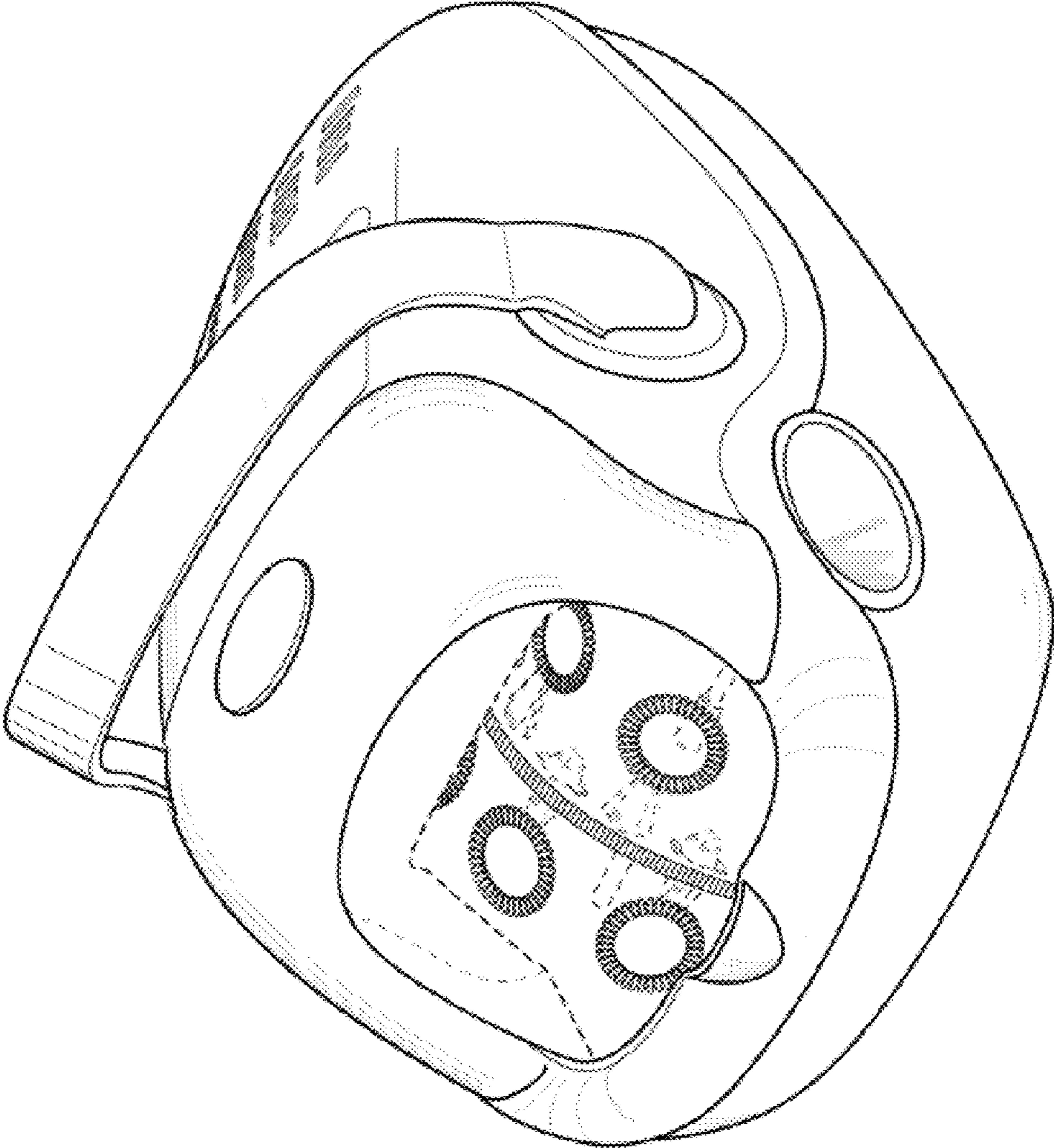


Fig. 7



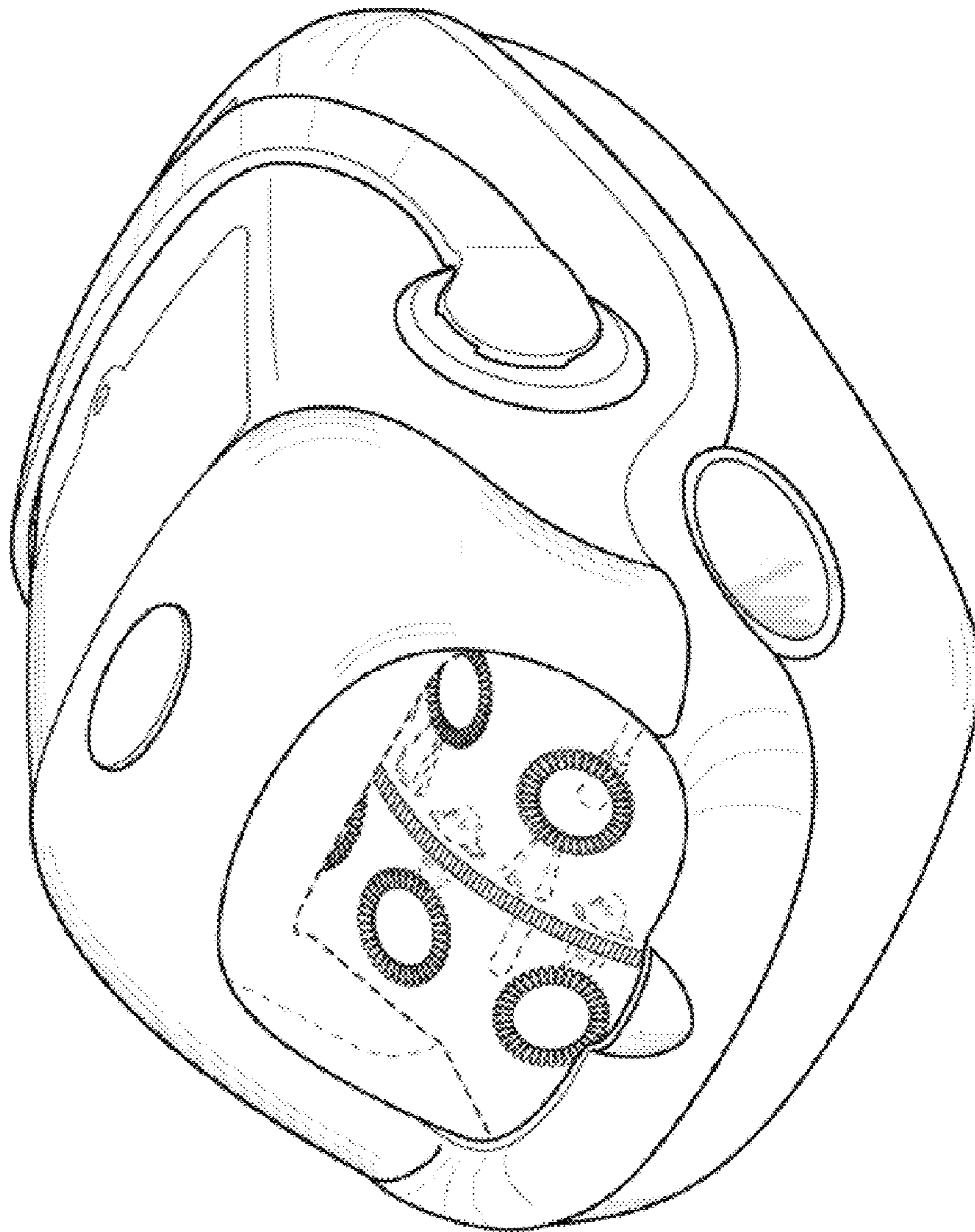


Fig. 8