



US00D717873S

(12) **United States Design Patent**
Uhrman et al.

(10) **Patent No.:** **US D717,873 S**
(45) **Date of Patent:** **** Nov. 18, 2014**

- (54) **VIDEO GAME CONSOLE**
- (71) Applicant: **Ouya, Inc.**, Santa Monica, CA (US)
- (72) Inventors: **Julie Uhrman**, Los Angeles, CA (US);
Yves Behar, San Francisco, CA (US);
Muffi Ghadiali, Campbell, CA (US)
- (73) Assignee: **Ouya, Inc.**, Santa Monica, CA (US)
- (**) Term: **14 Years**
- (21) Appl. No.: **29/459,736**
- (22) Filed: **Jul. 2, 2013**
- (51) **LOC (10) Cl.** **21-01**
- (52) **U.S. Cl.**
USPC **D21/324; D21/333**
- (58) **Field of Classification Search**
CPC A63F 13/00; A63F 13/02; A63F 9/24;
A63F 13/06; G06F 17/00; G06F 19/00
USPC D21/324, 332, 333, 328; 273/148 B;
463/1, 29-35, 46, 47; D14/496;
345/156-161
See application file for complete search history.

- D603,457 S * 11/2009 Julskjer et al. D21/324
- D613,341 S * 4/2010 Mar et al. D21/329
- D657,426 S * 4/2012 Gomez D21/330
- D658,234 S * 4/2012 Mercier et al. D21/332
- 8,523,674 B2 * 9/2013 Kaldahl 463/37
- 8,523,675 B2 * 9/2013 Young et al. 463/37
- 8,606,896 B2 * 12/2013 Jing et al. 709/223

* cited by examiner

Primary Examiner — Prabhakar Deshmukh
(74) *Attorney, Agent, or Firm* — Fenwick & West LLP

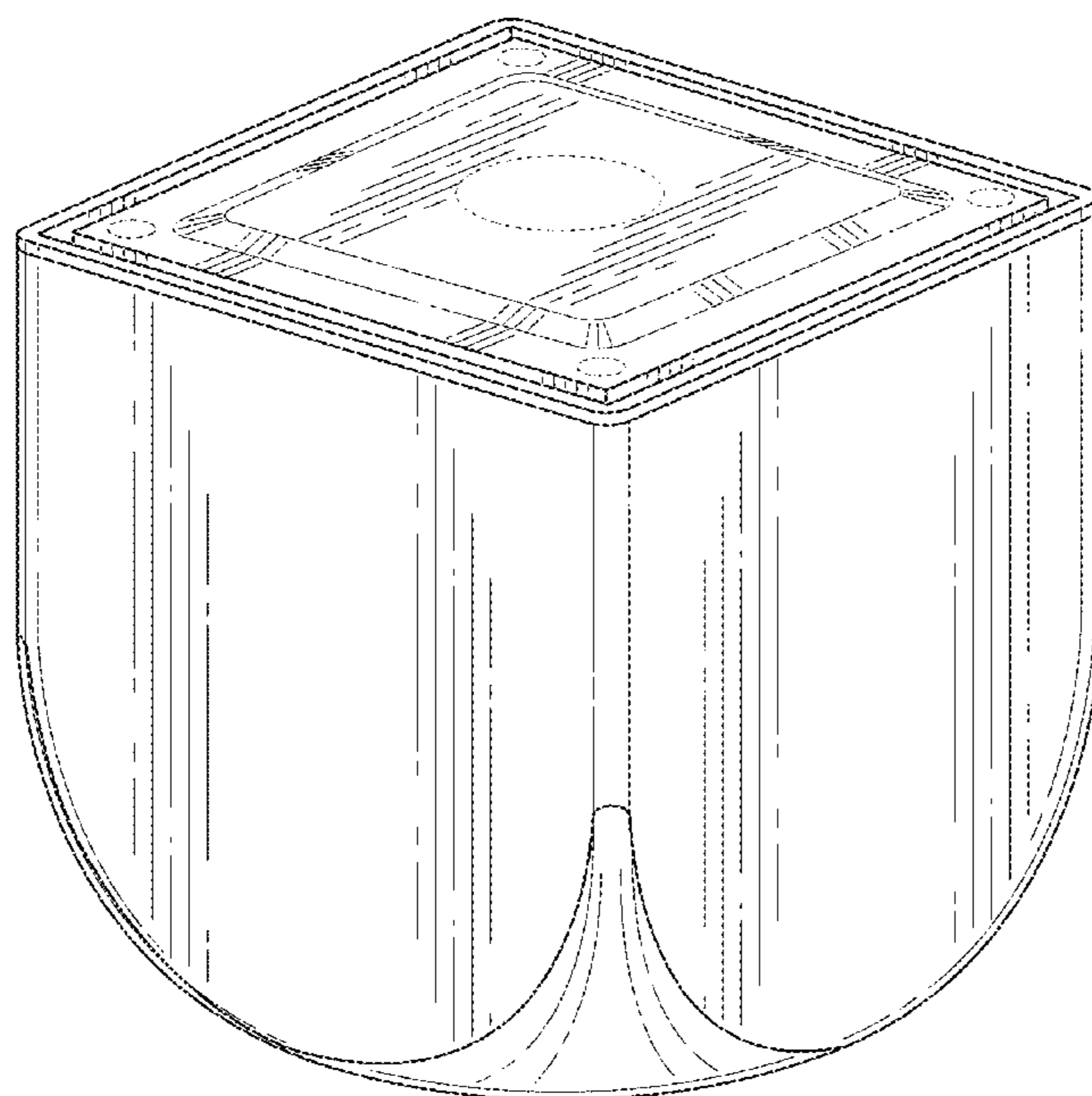
(57) **CLAIM**
We claim the ornamental design for a video game console, as shown and described.

DESCRIPTION

FIG. 1 is a top, front, and left perspective view of a video game console showing our new design.
 FIG. 2 is a front elevational view of the video game console of FIG. 1.
 FIG. 3 is a rear elevational view of the video game console of FIG. 1.
 FIG. 4 is a left elevational view of the video game console of FIG. 1.
 FIG. 5 is a right elevational view of the video game console of FIG. 1.
 FIG. 6 is a top elevational view of the video game console of FIG. 1; and,
 FIG. 7 is a bottom elevational view of the video game console of FIG. 1.
 The broken lines shown in the figures are for illustrative purposes only and form no part of the claimed design.

1 Claim, 7 Drawing Sheets

- (56) **References Cited**
U.S. PATENT DOCUMENTS
5,888,134 A * 3/1999 McNair, Jr. 454/184
D483,809 S * 12/2003 Lim D21/324
6,872,139 B2 * 3/2005 Sato et al. 463/39
D538,858 S * 3/2007 Mak Pui See et al. D21/324
D547,384 S * 7/2007 Lau et al. D21/324
D565,554 S * 4/2008 Fan D14/218



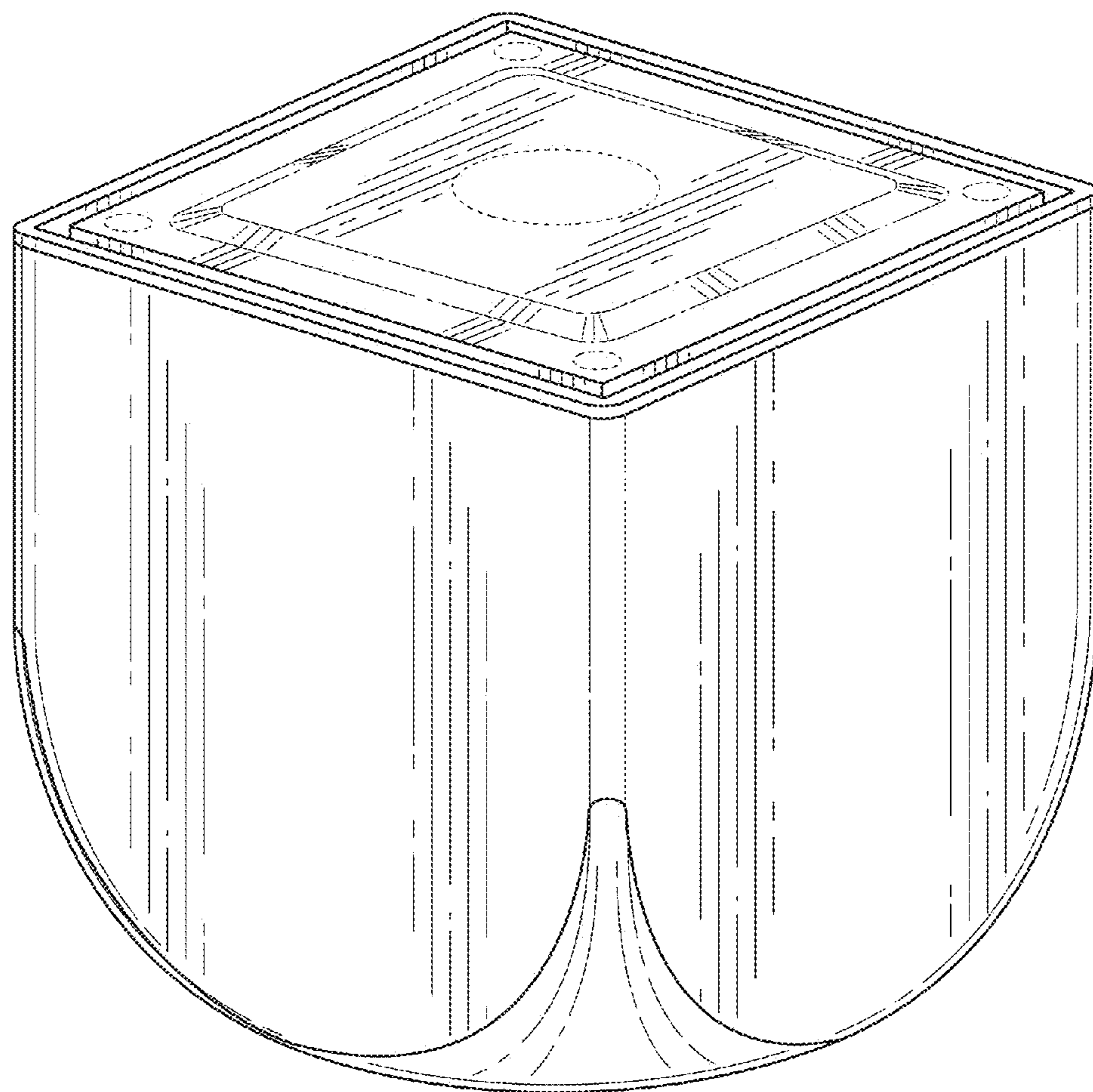


FIG. 1

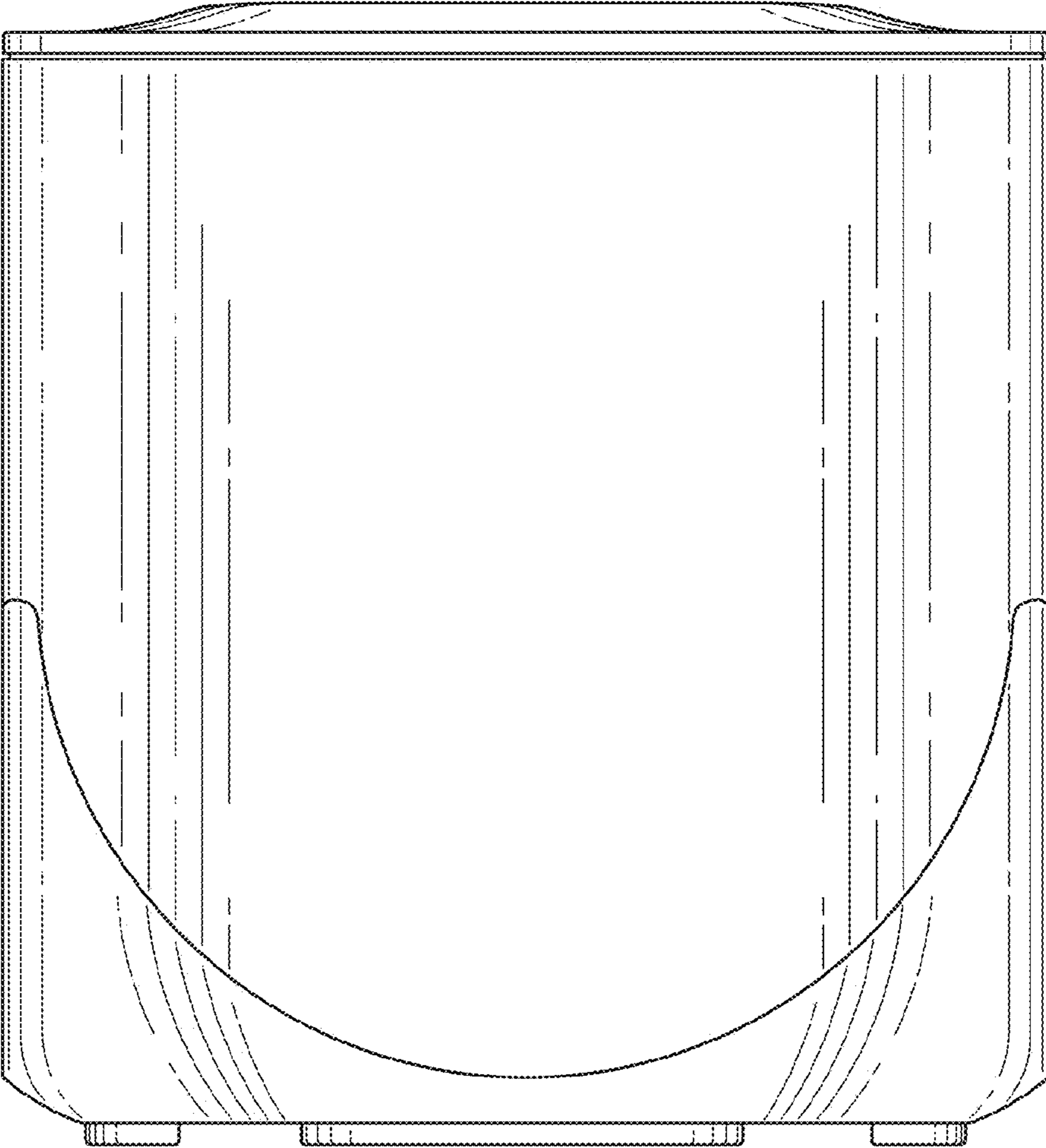


FIG. 2

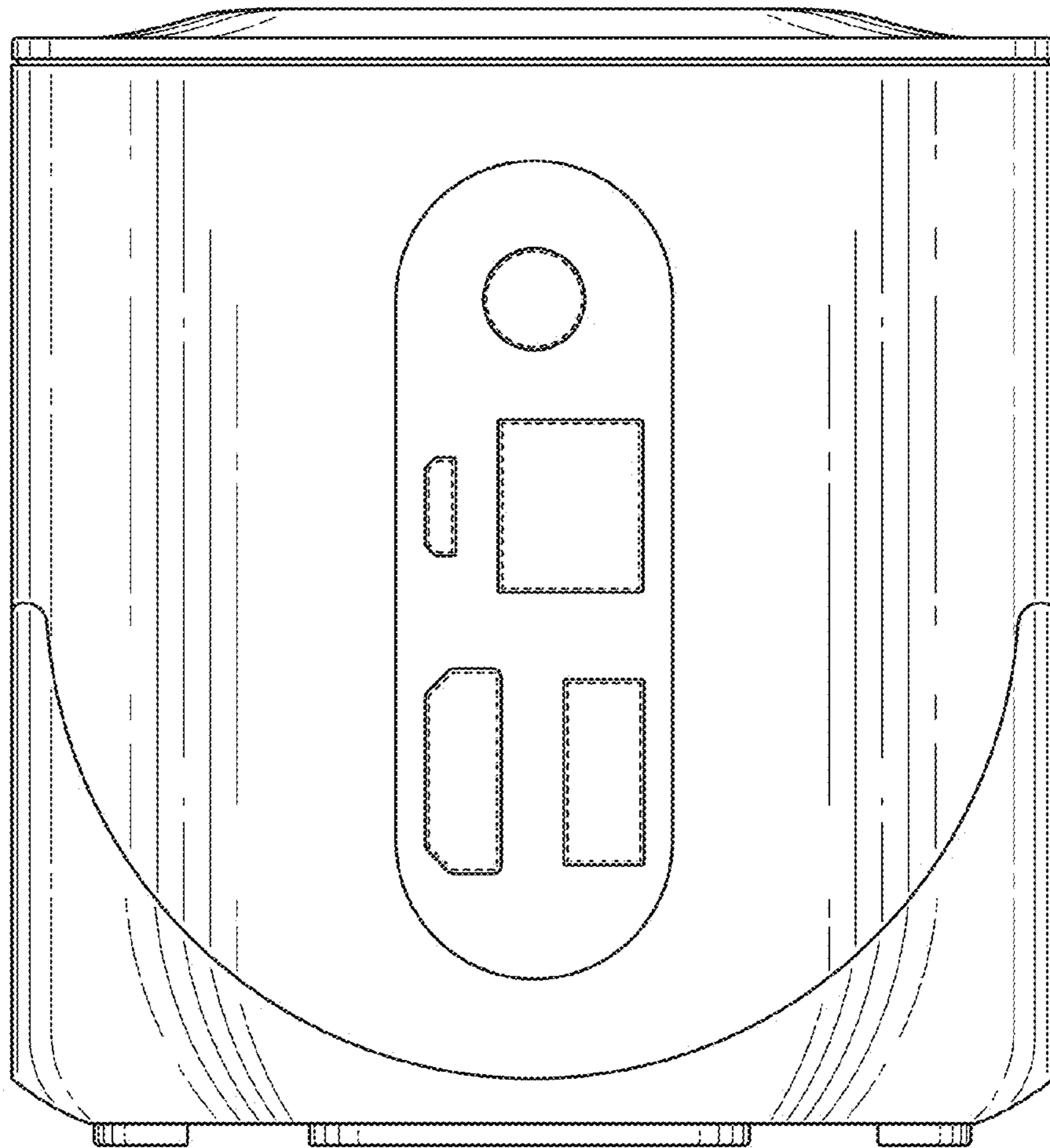


FIG. 3

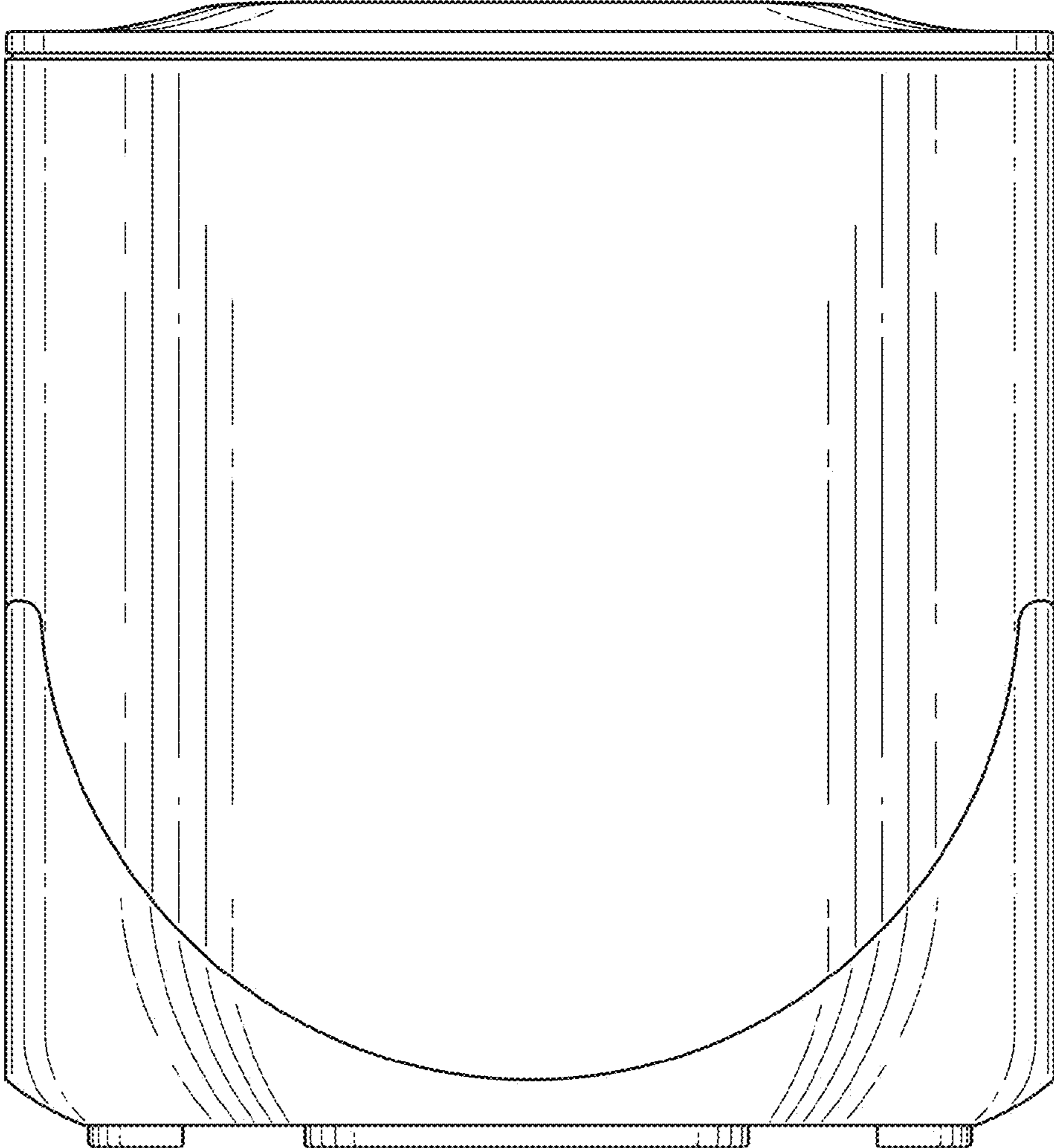


FIG. 4

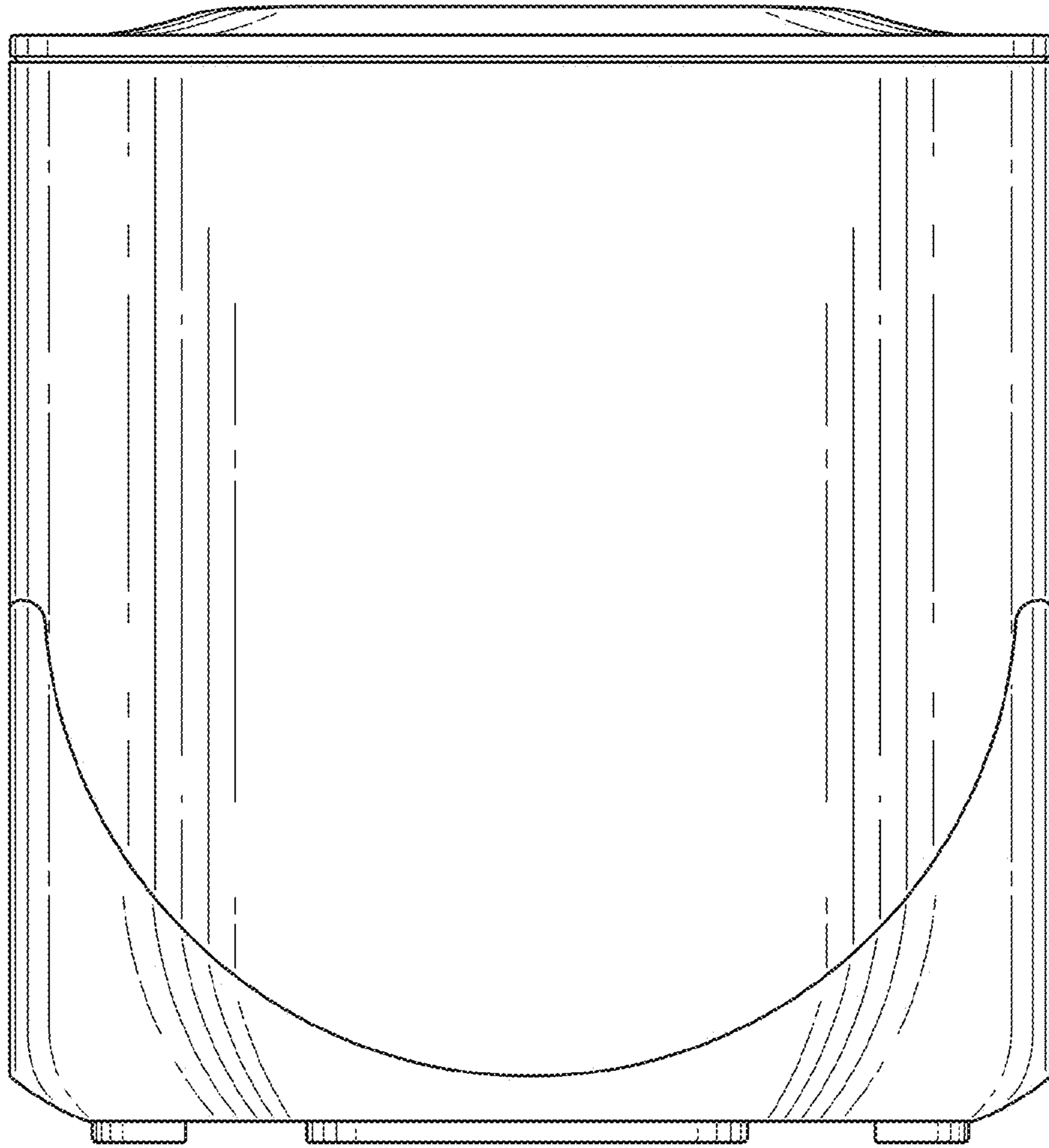


FIG. 5

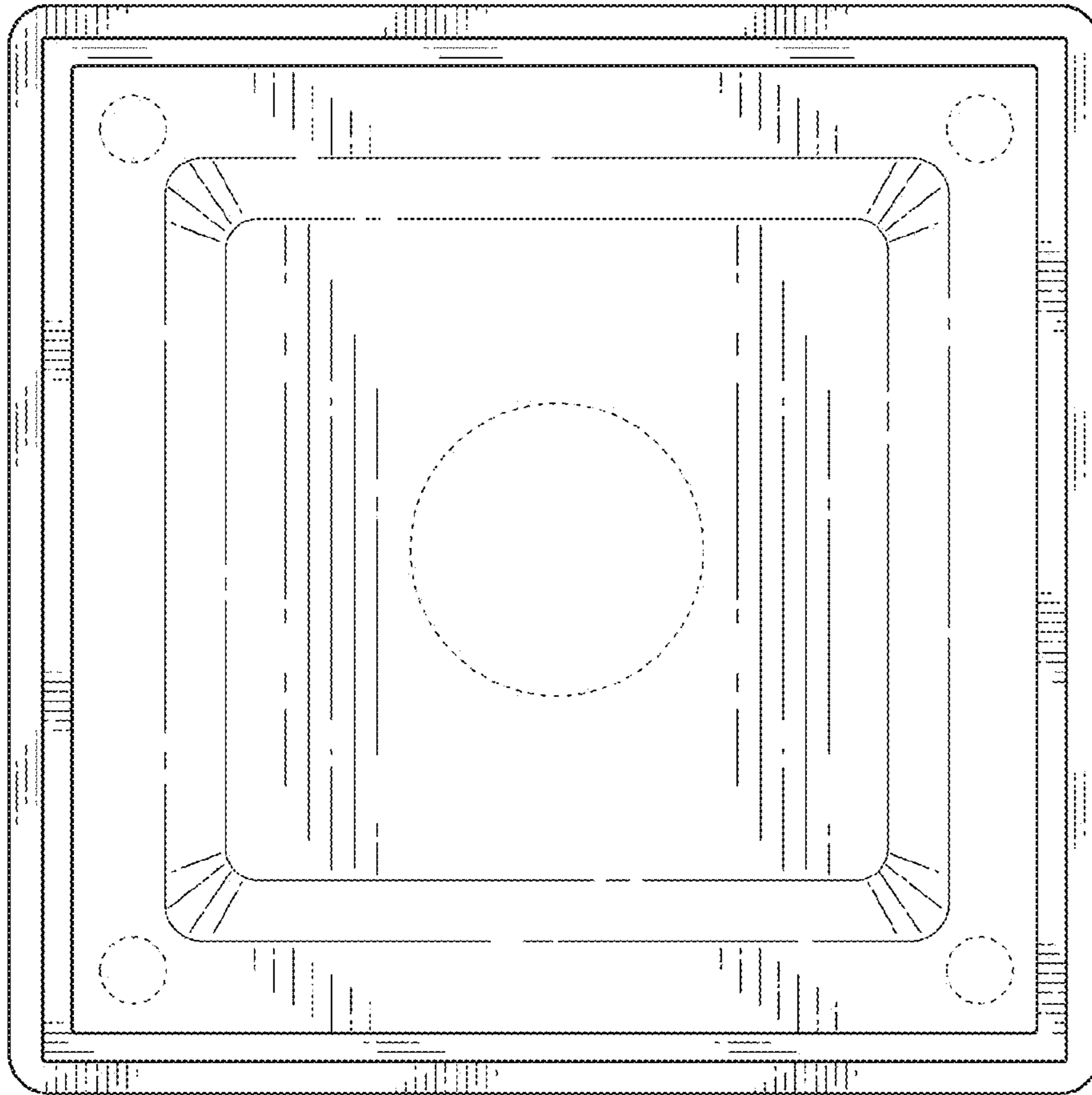


FIG. 6

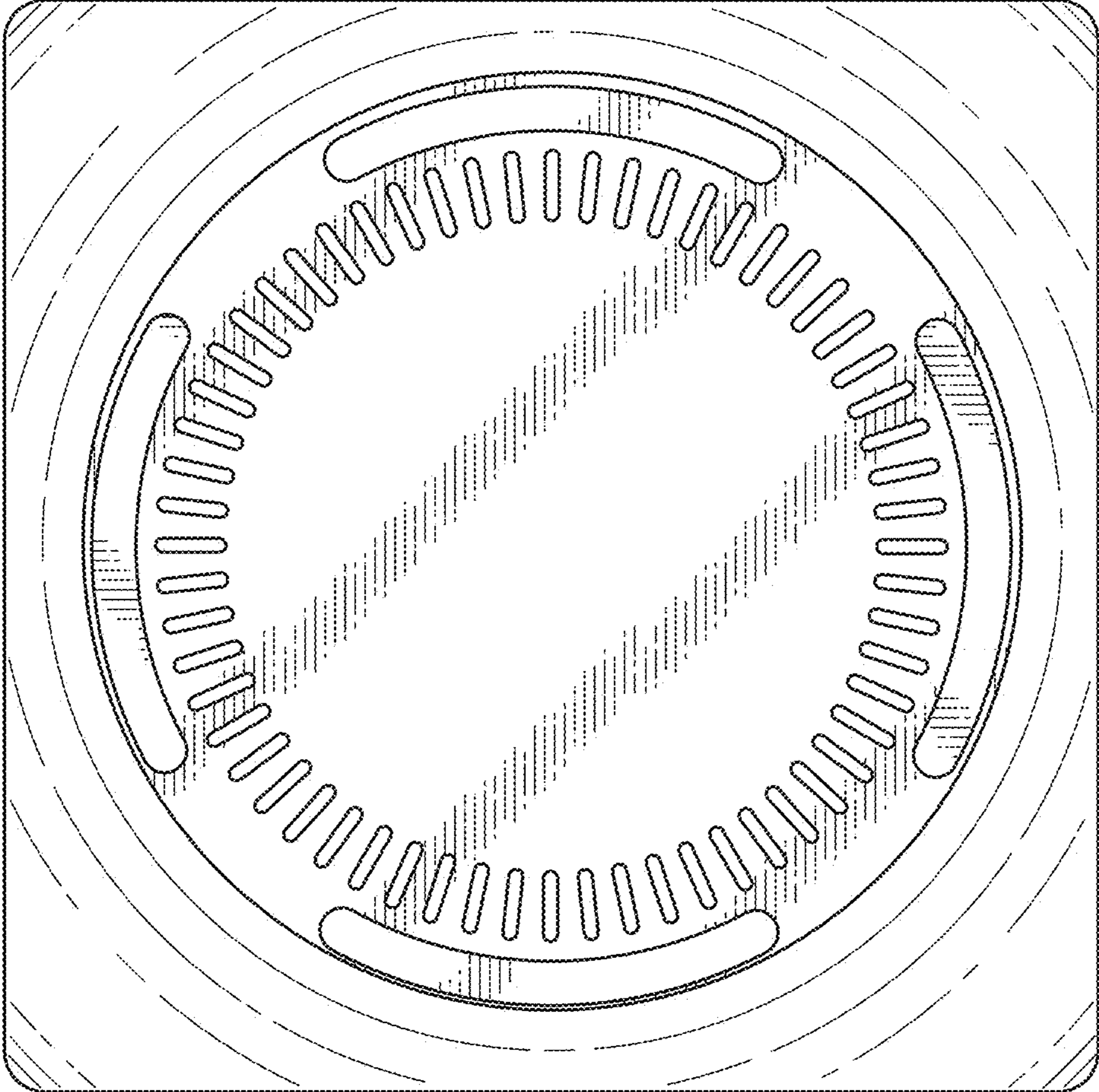


FIG. 7