



US00D717872S

(12) **United States Design Patent**  
**Byford et al.**

(10) **Patent No.:** **US D717,872 S**  
(45) **Date of Patent:** **\*\* Nov. 18, 2014**

(54) **SIGN HOLDER WITH A MULTIPLE USE  
ADHESIVE SURFACE**

(71) Applicants: **Amanda J. Byford**, Houston, TX (US);  
**Stephanie H. Warren**, Houston, TX  
(US)

(72) Inventors: **Amanda J. Byford**, Houston, TX (US);  
**Stephanie H. Warren**, Houston, TX  
(US)

(\*\*) Term: **14 Years**

(21) Appl. No.: **29/465,395**

(22) Filed: **Aug. 27, 2013**

(51) **LOC (10) Cl.** ..... **20-03**

(52) **U.S. Cl.**  
USPC ..... **D20/43**

(58) **Field of Classification Search**

CPC ..... G09F 3/08; G09F 3/16; G09F 3/18;  
G09F 3/20; G09F 3/201; G09F 3/202; G09F  
3/203; G09F 3/204; G09F 7/02; G09F 7/04;  
G09F 7/08; G09F 7/18; G09F 7/20; G09F  
1/10; G09F 21/00; G09F 21/02; G09F 21/04;  
G09F 21/048; A45C 13/42; B65D 33/2541;  
B65D 33/2558; B65D 33/2566; B65D 33/20  
USPC ..... D20/10, 19, 22, 27, 28, 43, 44, 99;  
40/124.06, 124.191, 209, 586, 591,  
40/642.02, 643, 644, 647, 649-655, 658,  
40/661, 661.01, 661.03, 661.05-661.09,  
40/662, 666, 667; D3/201, 247, 269;  
D9/703, 705; D19/3; 150/147;  
224/277, 281, 482; 229/68.1, 82, 84;  
383/61.2, 63, 65, 93; 428/35.2, 35.5,  
428/35.6

See application file for complete search history.

(56) **References Cited**

**U.S. PATENT DOCUMENTS**

822,354 A 6/1906 Duncan  
2,269,535 A 1/1942 Keck  
D202,759 S 11/1965 Fisher

3,293,779 A 12/1966 Vogeli  
D303,403 S 9/1989 Barcom  
4,955,153 A 9/1990 Albrecht  
4,988,547 A \* 1/1991 Voto et al. .... 428/35.2  
5,077,925 A 1/1992 Herrera et al.  
5,241,768 A 9/1993 Thompson  
5,403,094 A \* 4/1995 Tomic ..... 383/63

(Continued)

*Primary Examiner* — Mary Ann Calabrese

(74) *Attorney, Agent, or Firm* — Andrew W. Chu; Craft Chu  
PLLC

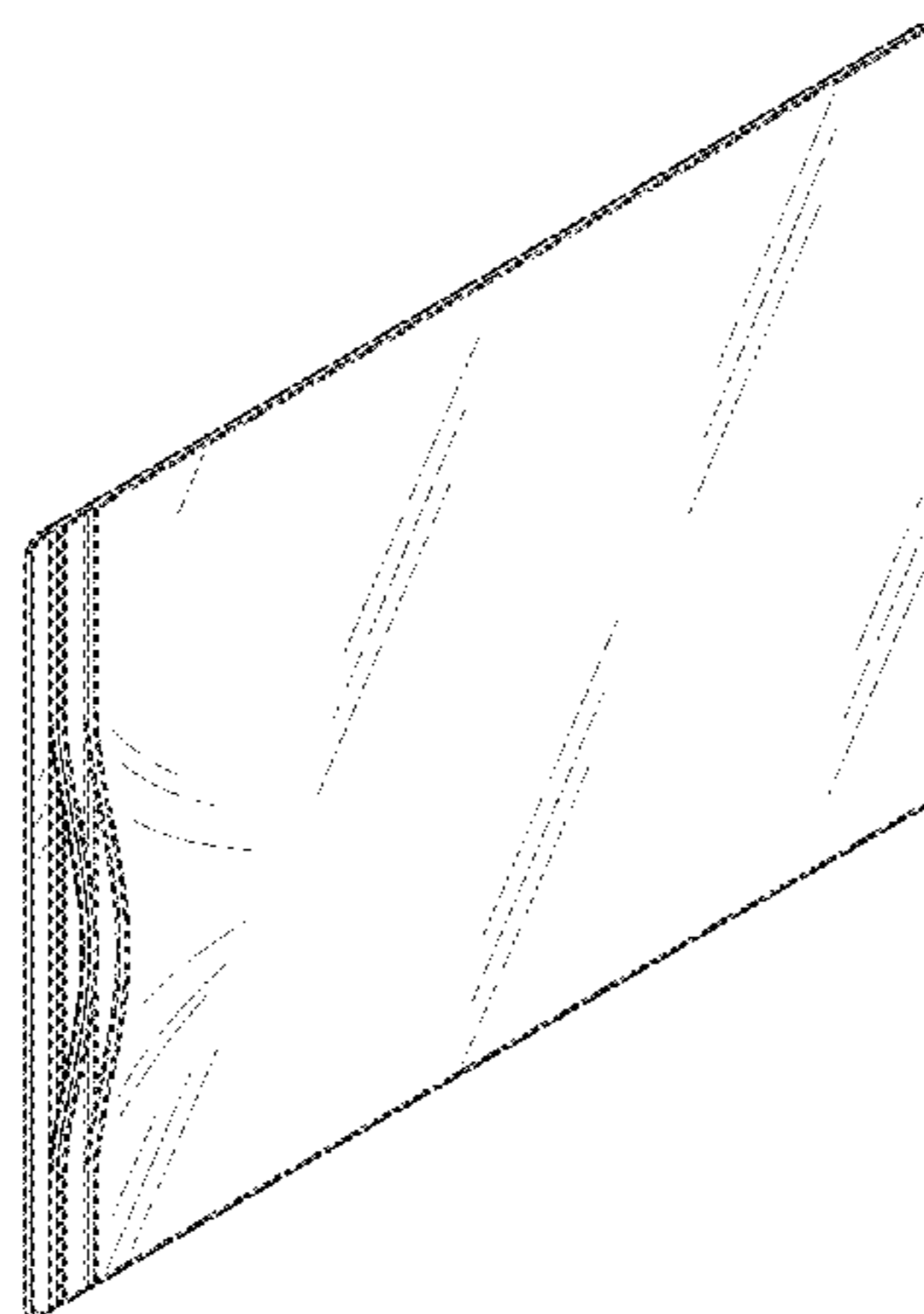
(57) **CLAIM**

The ornamental design for a sign holder with a multiple use  
adhesive surface, as shown and described.

**DESCRIPTION**

FIG. 1 is an upper perspective view of the sign holder with a  
multiple use adhesive surface showing my design.  
FIG. 2 is a front elevation view thereof,  
FIG. 3 is a back elevation view thereof;  
FIG. 4 is a side elevation view thereof;  
FIG. 5 is an opposite side view thereof;  
FIG. 6 is a top plan view thereof;  
FIG. 7 is a bottom plan view thereof;  
FIG. 8 is still another upper perspective view thereof, show-  
ing an opened position of an end thereof;  
FIG. 9 is a second embodiment of FIG. 1, the only difference  
being the dimensions of width and length, it being understood  
that all other views of surfaces are the same as those of the first  
embodiment with corresponding dimensions;  
FIG. 10 is a third embodiment of FIG. 1, the only difference  
being the dimensions of width and length, it being understood  
that all other views of surfaces are the same as those of the first  
embodiment with corresponding dimensions; and,  
FIG. 11 is a fourth embodiment of FIG. 1, the only difference  
being the dimensions of width and length, it being understood  
that all other views of surfaces are the same as those of the first  
embodiment with corresponding dimensions.  
The pattern on the back surface in FIG. 3 represents a tacky  
surface.

**1 Claim, 4 Drawing Sheets**



(56)

**References Cited**

U.S. PATENT DOCUMENTS

5,771,619	A	6/1998	Wells				
D399,264	S	10/1998	Klink				
5,839,831	A *	11/1998	Mazzocchi	.....	383/65		
6,012,844	A *	1/2000	Huseman et al.	.....	383/93		
6,397,504	B1 *	6/2002	McFetridge	.....	40/591		
6,446,375	B1	9/2002	Davis				
6,449,889	B1	9/2002	Hottenstein				
D473,268	S	4/2003	Mosher et al.				
6,748,682	B1	6/2004	Sims				
7,131,224	B1	11/2006	Elliott et al.				
7,137,736	B2 *	11/2006	Pawloski et al.	.....	383/61.2		
D540,393	S	4/2007	Longo				
7,452,131	B2 *	11/2008	Kettner et al.	.....	383/63		
D658,233	S	4/2012	Byford				
8,234,802	B2 *	8/2012	Volpe	.....	40/209		
D670,343	S	11/2012	Byford				
D688,564	S *	8/2013	LaFauci	.....	D9/703		
D694,007	S *	11/2013	D'Amore et al.	.....	D3/247		
D698,393	S *	1/2014	Marukos	.....	D20/43		
2007/0289186	A1 *	12/2007	Wallace	.....	40/661		
2013/0037187	A1 *	2/2013	D'Amore et al.	.....	150/147		

\* cited by examiner

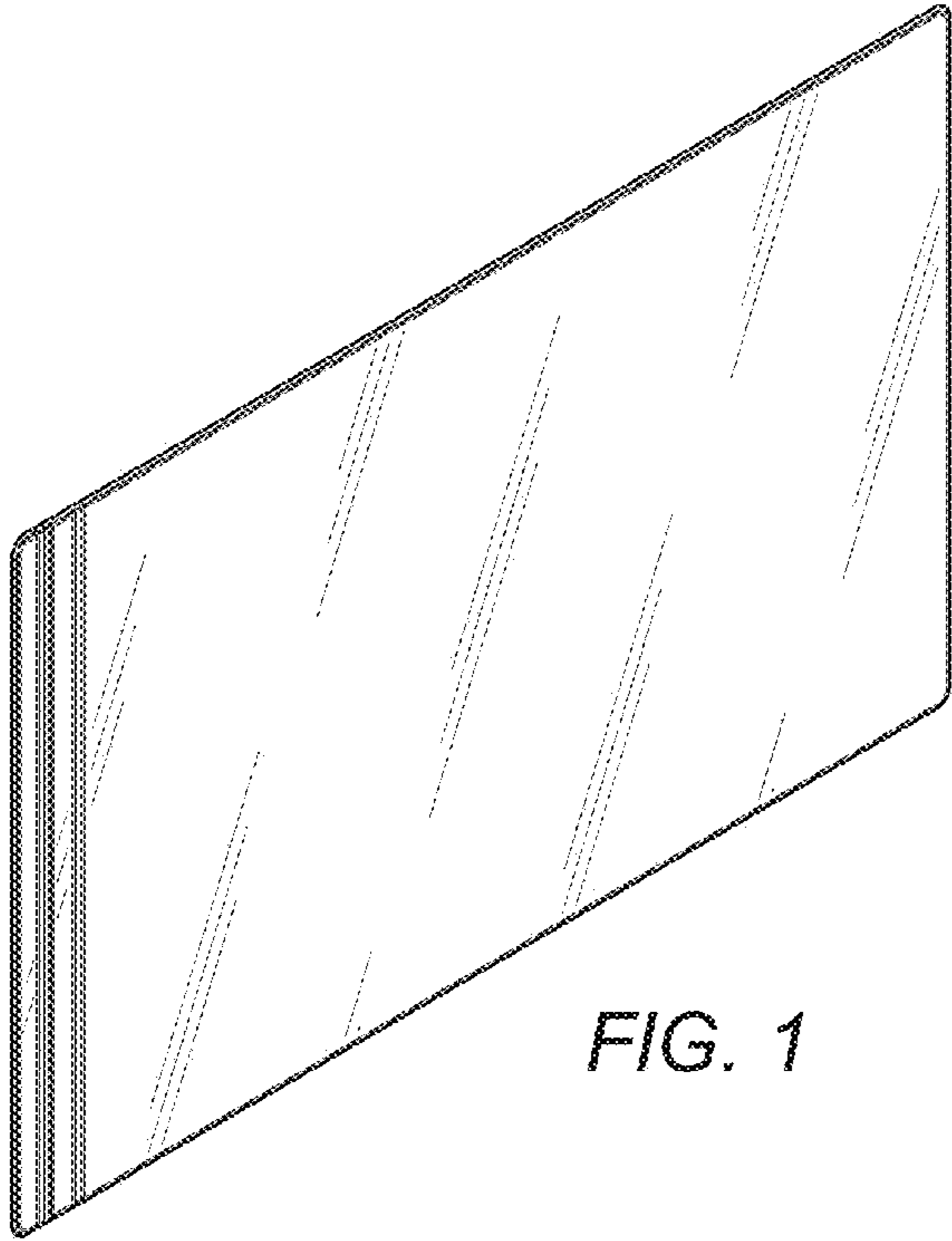


FIG. 1

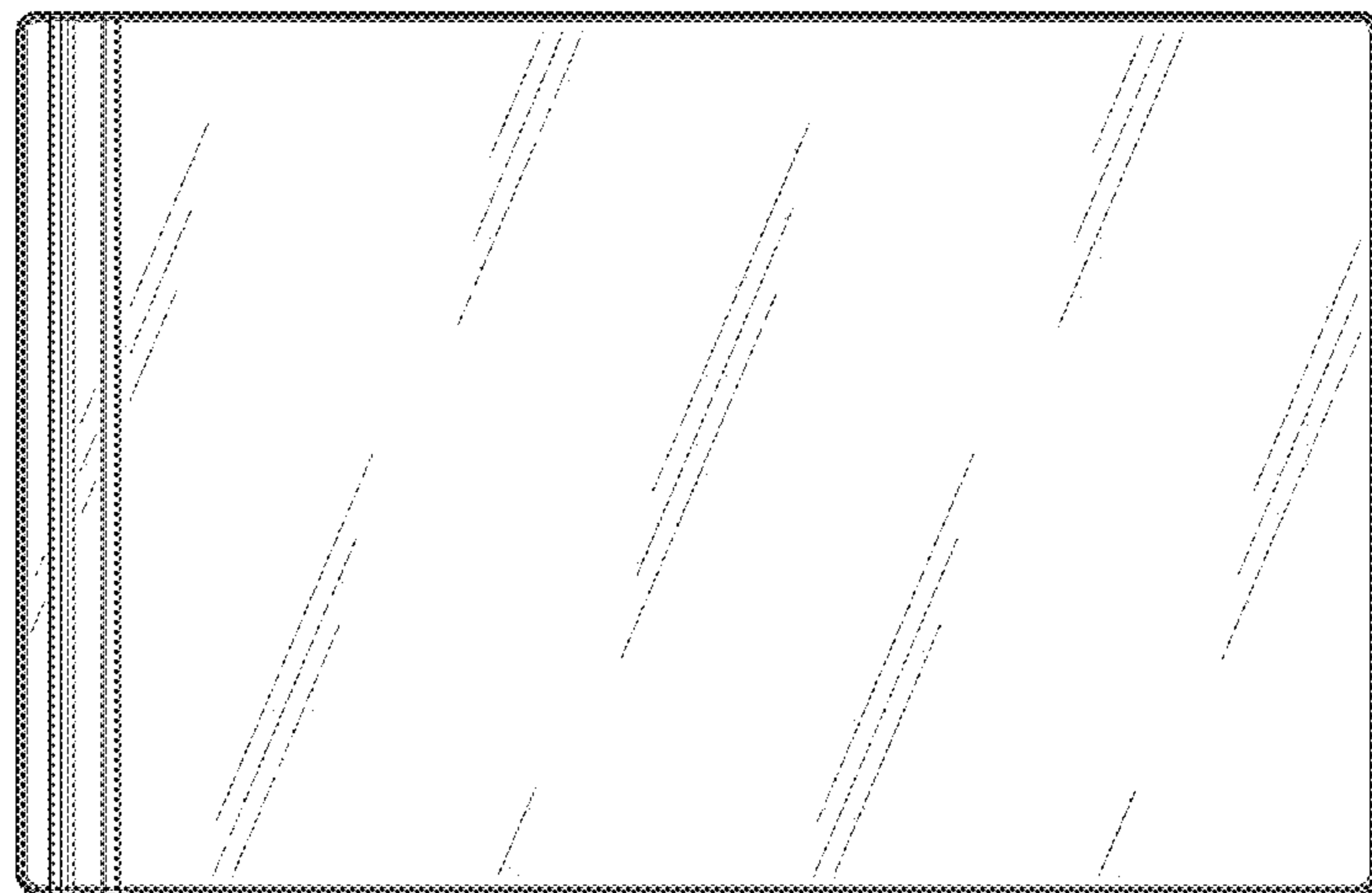


FIG. 2

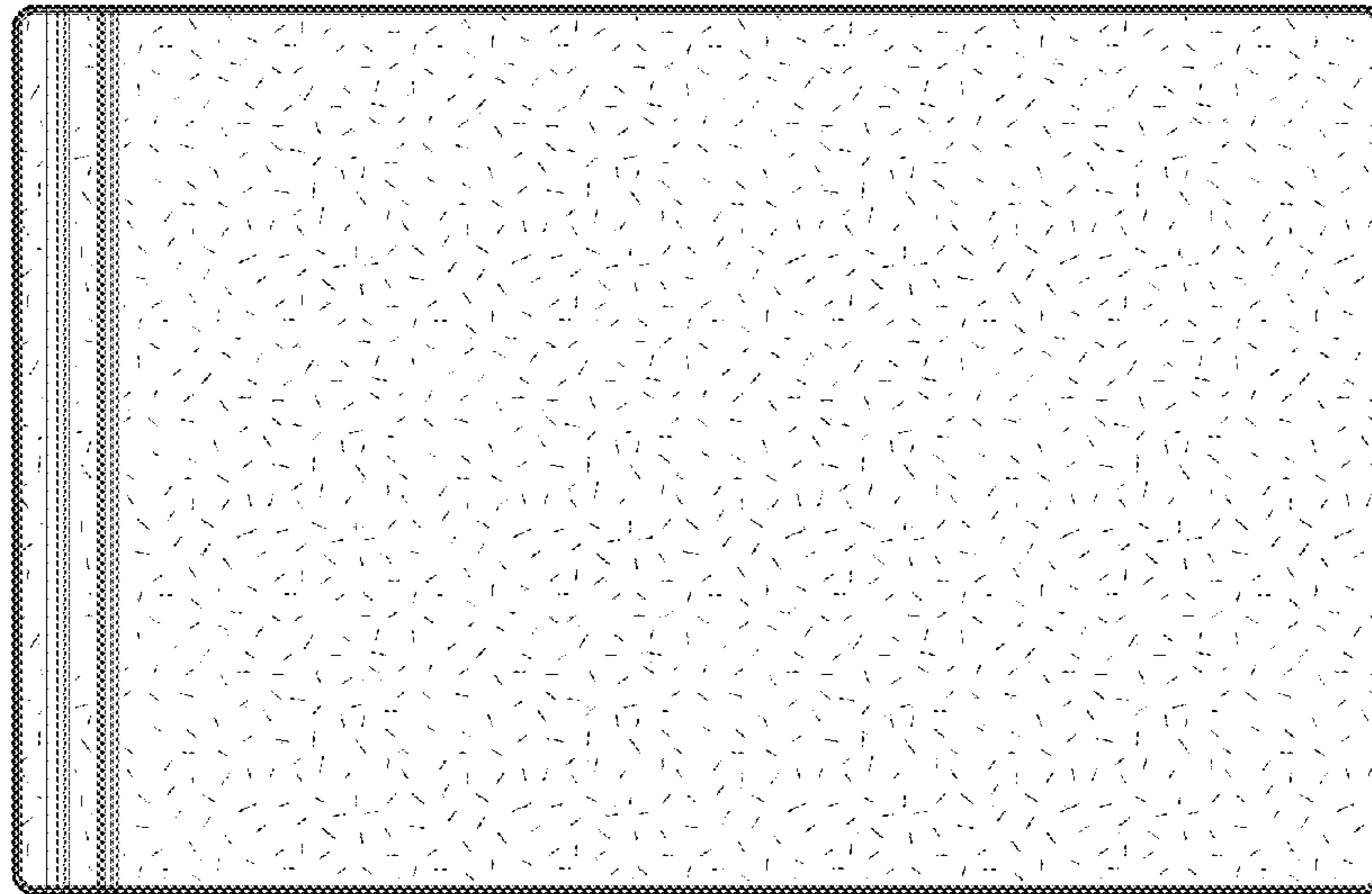


FIG. 3



FIG. 4



FIG. 5

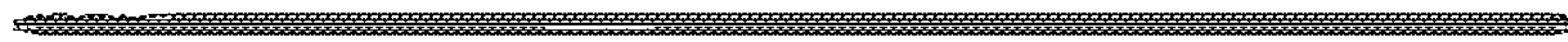


FIG. 6



FIG. 7

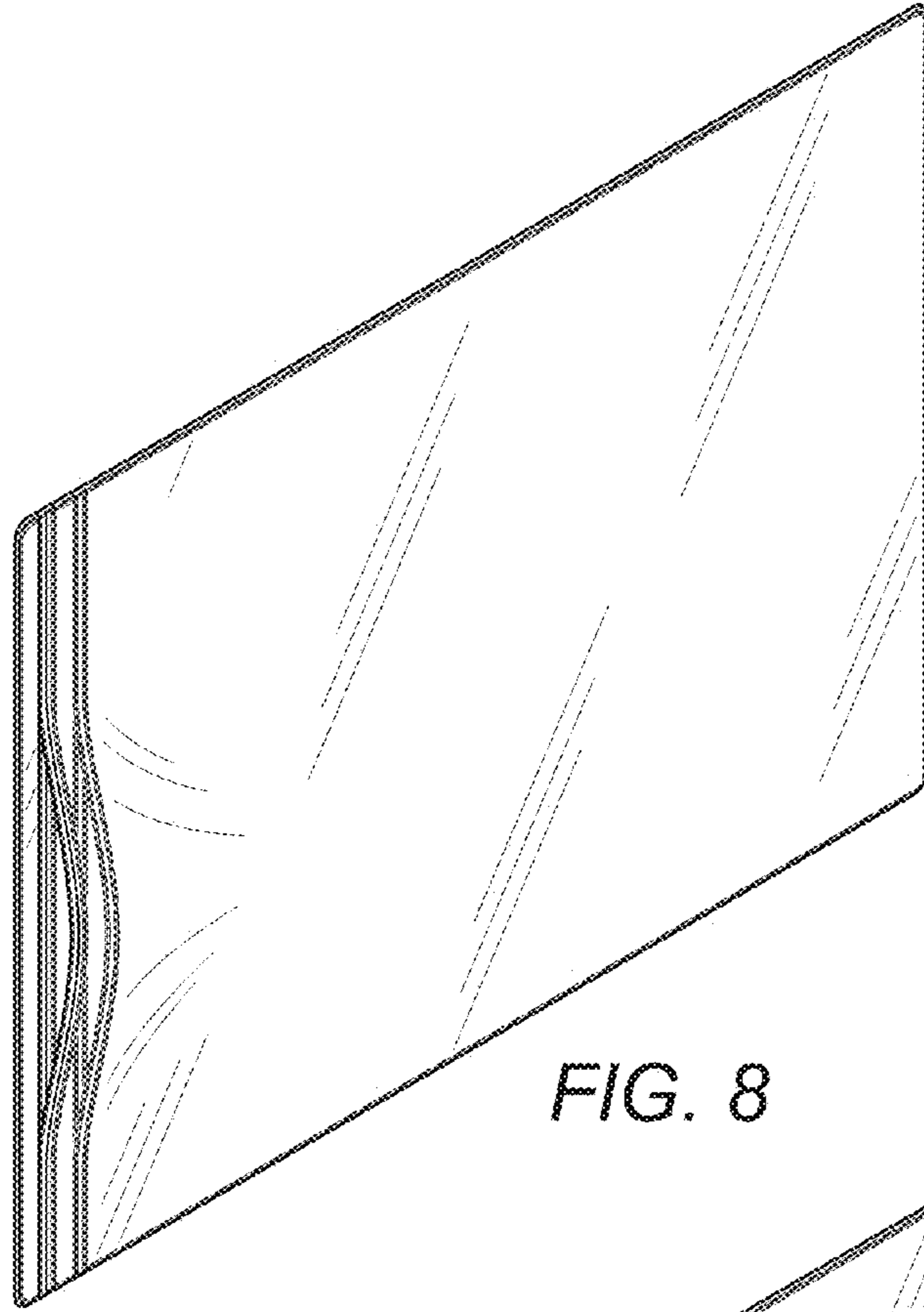


FIG. 8

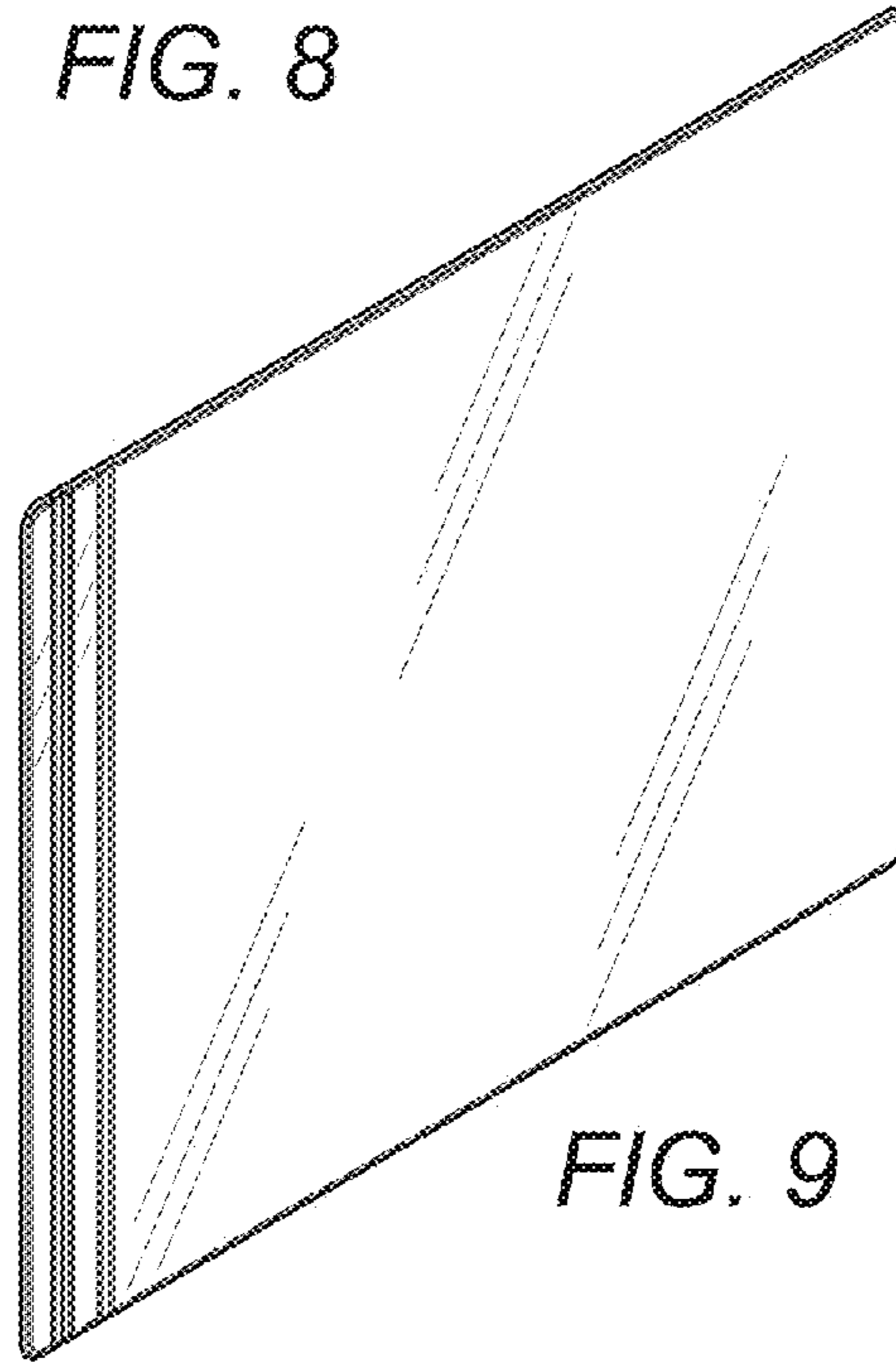


FIG. 9

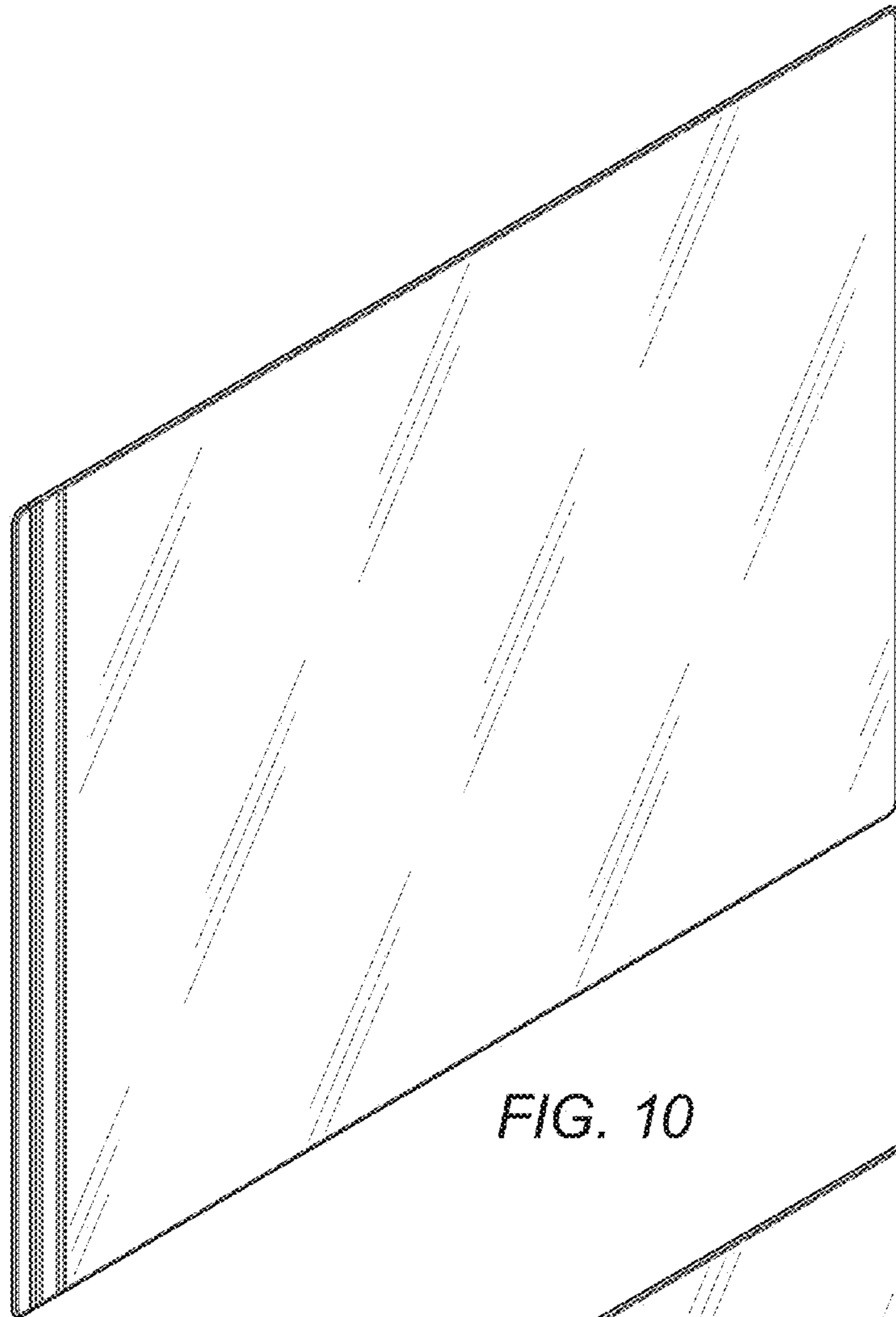


FIG. 10

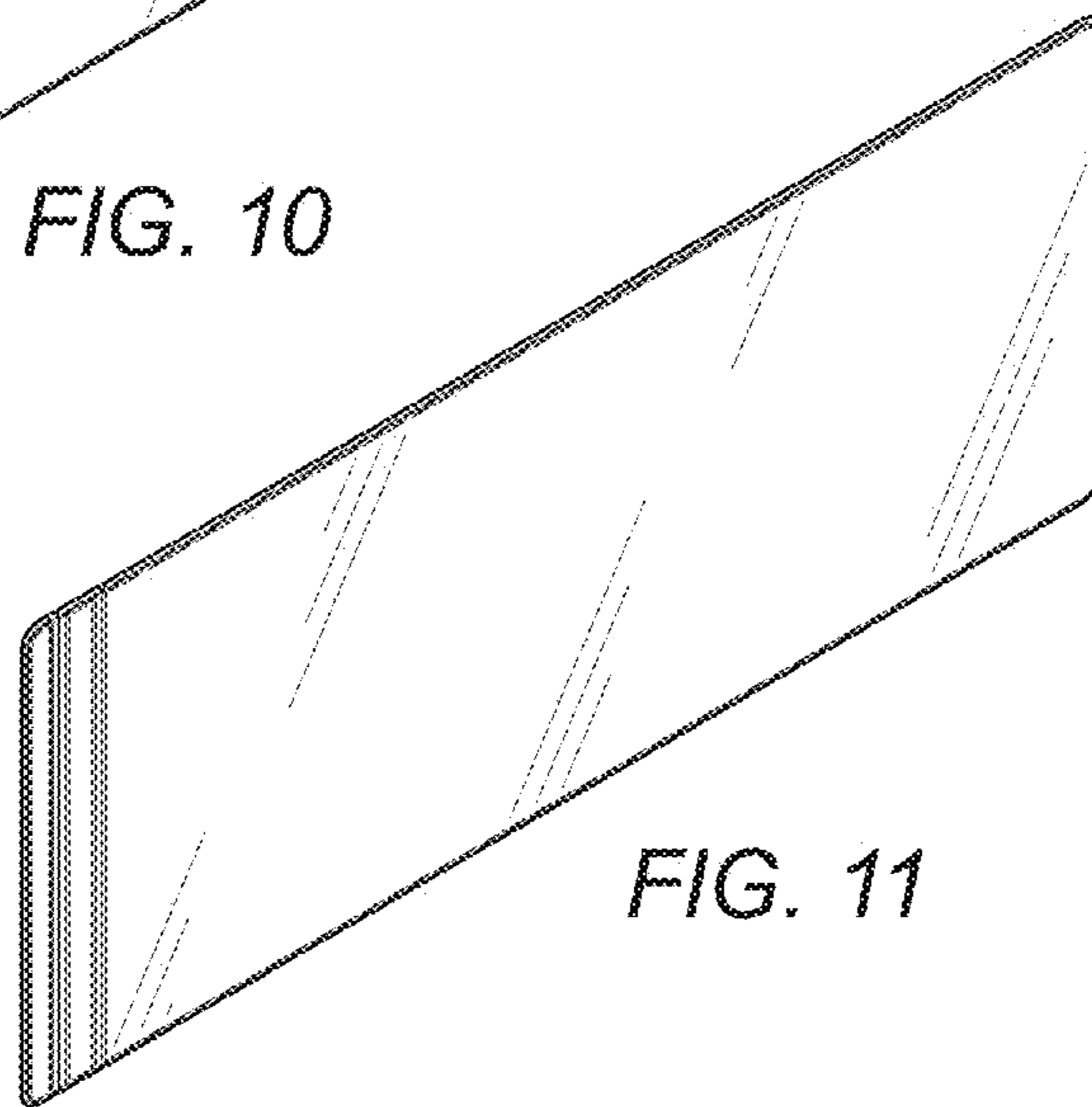


FIG. 11