



US00D717870S

(12) **United States Design Patent**
Wamble

(10) **Patent No.:** **US D717,870 S**

(45) **Date of Patent:** **** Nov. 18, 2014**

(54) **SIGN WITH INDIVIDUALIZED LETTERS**

(71) Applicant: **Architectural Safety Components, LLC**, Houston, TX (US)

(72) Inventor: **Mark Scott Wamble**, Houston, TX (US)

(73) Assignee: **Architectural Safety Components, LLC**, Houston, TX (US)

(**) Term: **14 Years**

(21) Appl. No.: **29/464,061**

(22) Filed: **Aug. 12, 2013**

(51) **LOC (10) Cl.** **20-03**

(52) **U.S. Cl.**

USPC **D20/12**; D20/42

(58) **Field of Classification Search**

CPC G09F 13/00; G09F 13/04; G09F 13/0404;
G09F 13/0413; G09F 13/20; G09F 13/26;
G09F 13/28; G09F 13/44; G09F 19/12;
G09F 2013/04; G09F 2013/222; G09F
2013/00; G09F 2013/0459; G08B 7/062;
G08B 7/064; G08B 7/066

USPC D20/10, 12, 19, 39-42, 99; 40/446,
40/447, 452, 538-542, 545, 549, 552, 570,
40/576, 584, 594, 596, 600, 606.18, 617;
D10/109.1, 109.2, 113.4; 362/559, 812

See application file for complete search history.

(56) **References Cited**

U.S. PATENT DOCUMENTS

D242,087 S * 10/1976 Reeves D20/42
D555,738 S * 11/2007 Goldberg et al. D20/42
D611,547 S * 3/2010 Mirica et al. D20/42
D625,363 S * 10/2010 Lee D20/42

D659,194 S * 5/2012 Hetrick D20/42
8,341,859 B2 * 1/2013 Culiver et al. 40/606.01
2006/0225326 A1 * 10/2006 Robinson et al. 40/542
2010/0107462 A1 * 5/2010 Lee 40/546

OTHER PUBLICATIONS

Phillips Lightolier, TX2 Thermoplastic Exit Series, <http://www.lightolier.com/MKACatpdfs/TX2.PDF>, printed Nov. 8, 2013.
Lithonia Lighting, TLE Signature Thin Die-Cast Aluminum Exits with LED Lamps, <http://www.lithonia.com/commercial/tle.html#Un1A8nDkuzw>, printed Nov. 8, 2013.
Lithonia Lighting, LRP EL N Precise Edge-Lit Exit, <http://www.acuitybrandslighting.com/library/II/documents/specsheets/lrp-el-n.pdf>, printed Nov. 8, 2013.
Phillips Lightolier, EX2 Series Steel Edge-Lit LED Exit, <http://www.lightolier.com/MKACatpdfs/EX2.PDF>, printed Nov. 8, 2013.

(Continued)

Primary Examiner — Mary Ann Calabrese

(74) *Attorney, Agent, or Firm* — Hitchcock Evert LLP

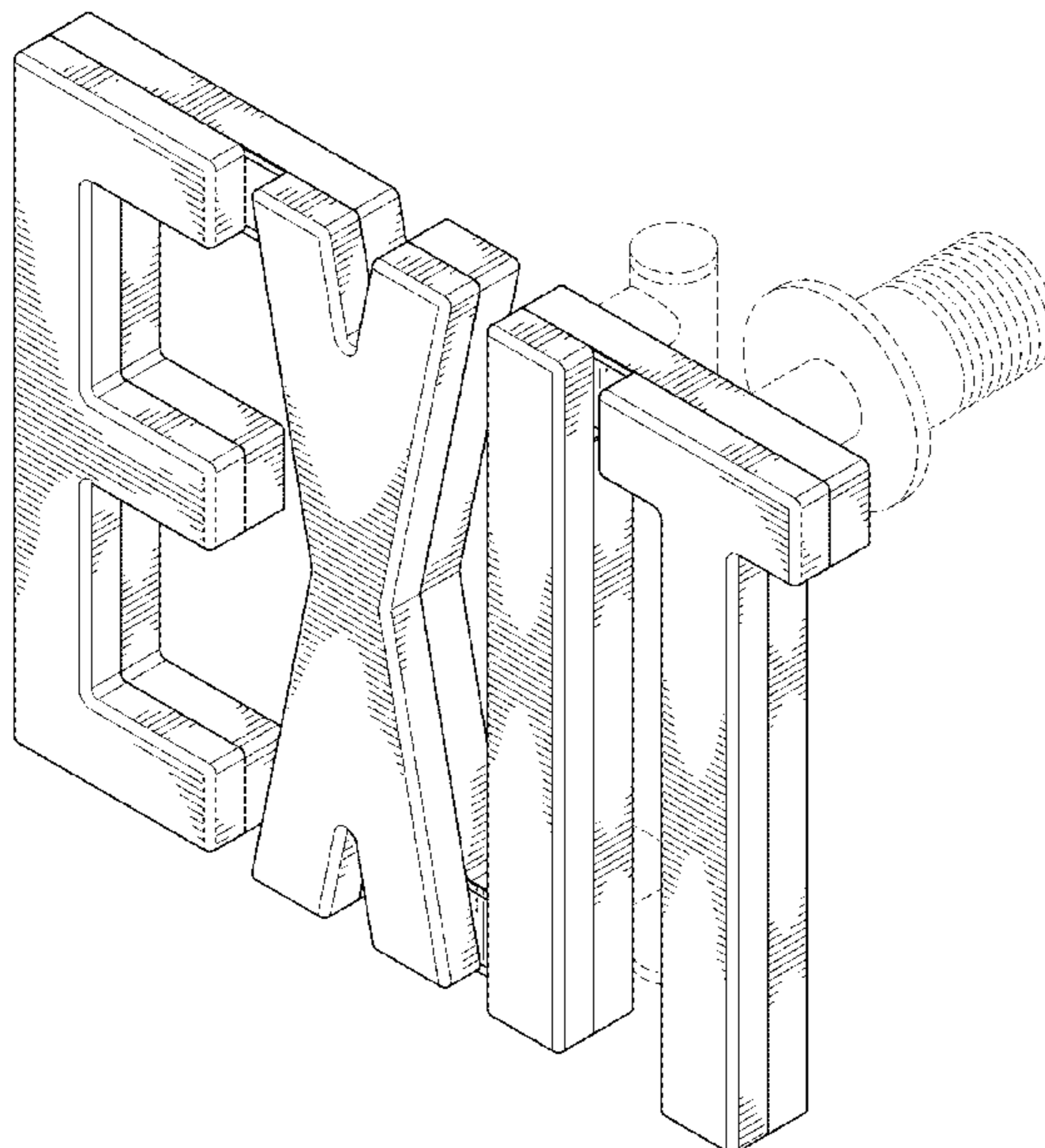
(57) **CLAIM**

The ornamental design for a sign with individualized letters, as shown and described.

DESCRIPTION

FIG. 1 is a perspective view from the top of the sign with individualized letters;
FIG. 2 is a front view thereof;
FIG. 3 is a back view thereof;
FIG. 4 is a right side view thereof;
FIG. 5 is a left side view thereof;
FIG. 6 is a top view thereof;
FIG. 7 is a bottom view thereof; and,
FIG. 8 is a perspective view from the bottom thereof.
The broken lines are for illustrative purposes only and form no part of the claimed design.

1 Claim, 7 Drawing Sheets



(56)

References Cited

OTHER PUBLICATIONS

Phillips Lightolier, TE Series Self-Luminous Exit, <http://www.lightolier.com/MKACatpdfs/TE.PDF>, printed Nov. 8, 2013.

Interloop-Architecture, E-X-I-T, <http://www.interlooparchitecture.net/e-x-i-t/>, printed Apr. 10, 2014.

Dawn Finley, Assuming Risk, Log 5, Summer/Spring 2005, at 37.
Transmaterial: A Catalog of Materials That Redefine Our Physical Environment 205 (Blaine Brownell ed., Princeton Architectural Press 2006).

* cited by examiner

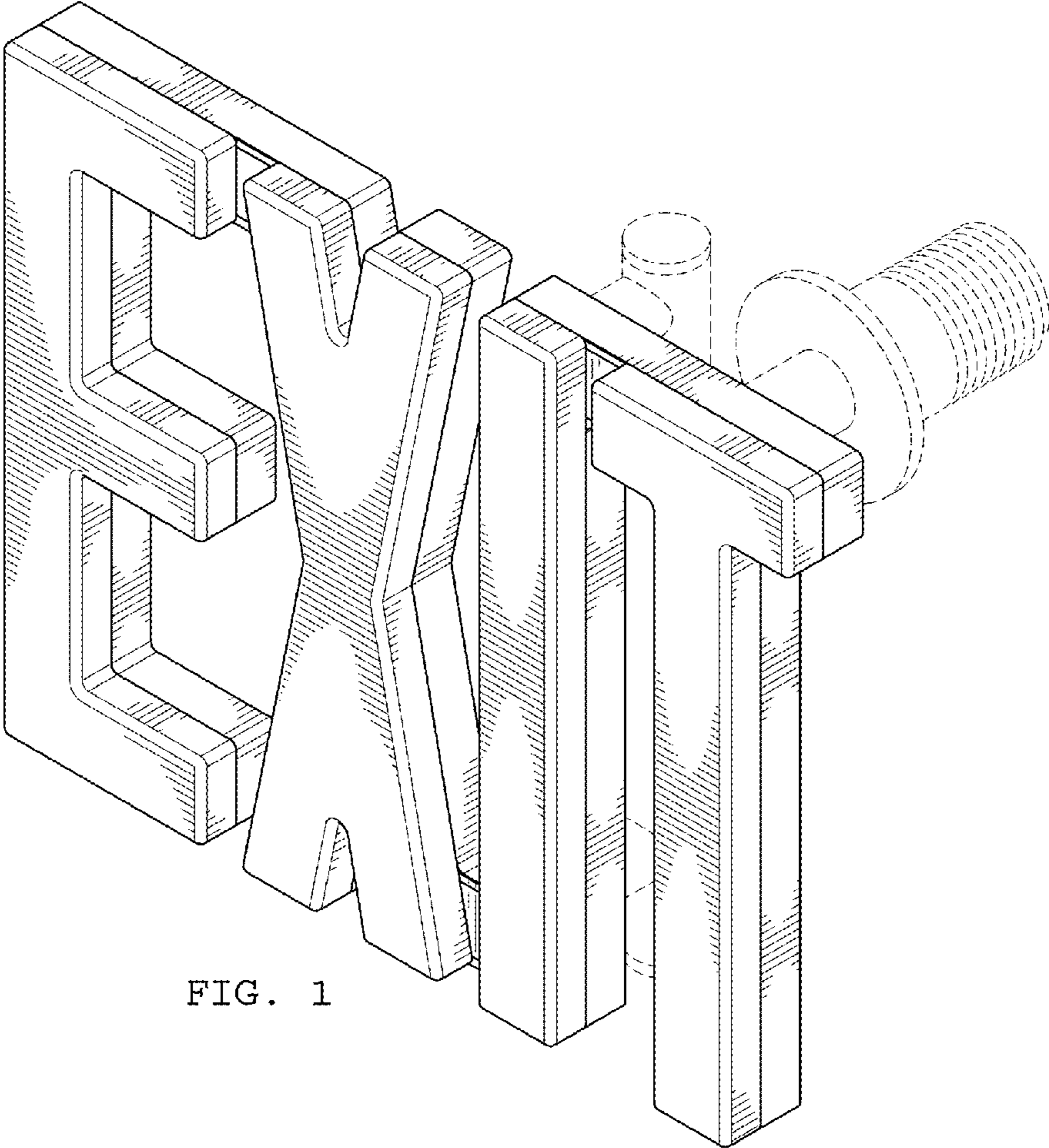


FIG. 1

FIG. 2

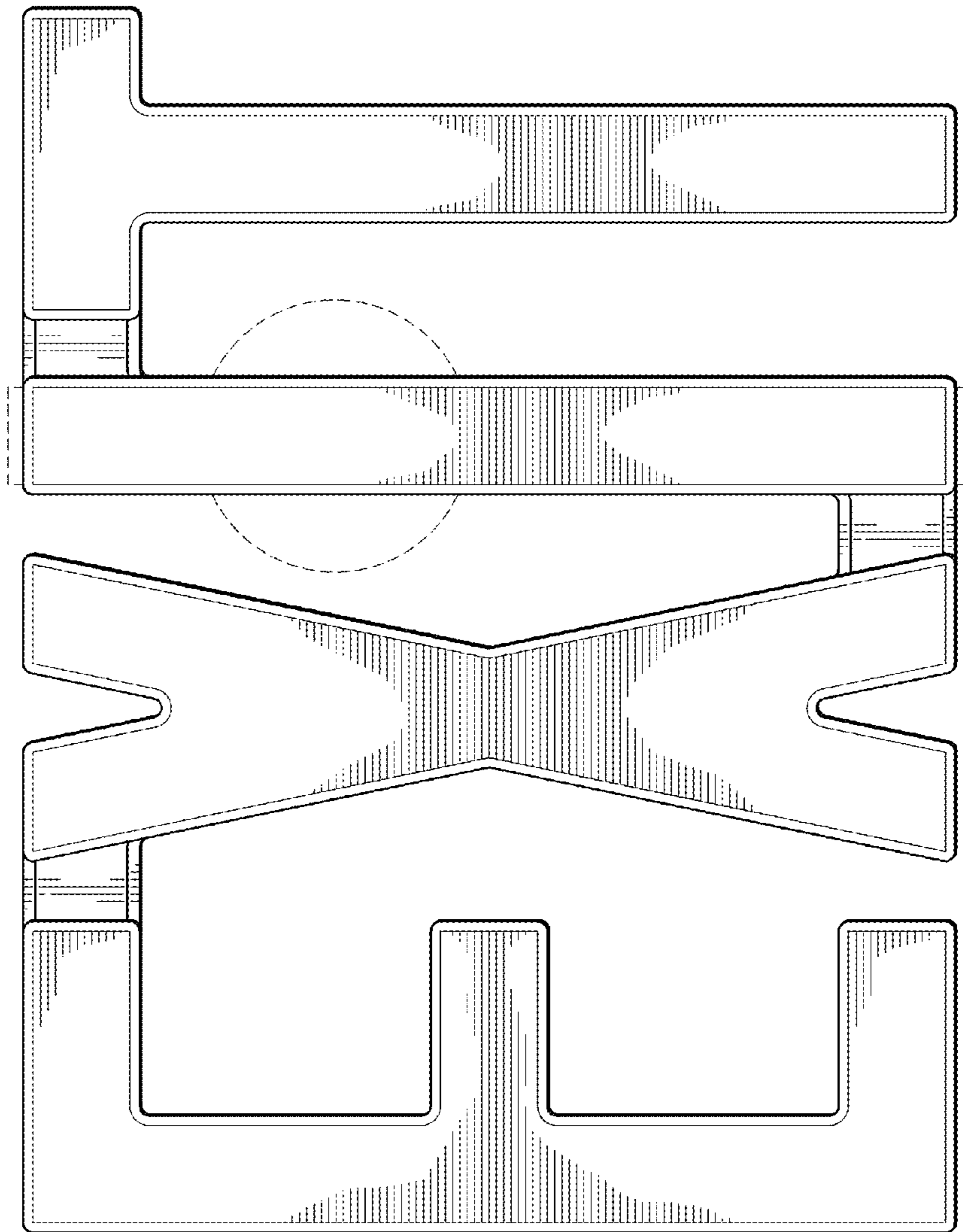


FIG. 3

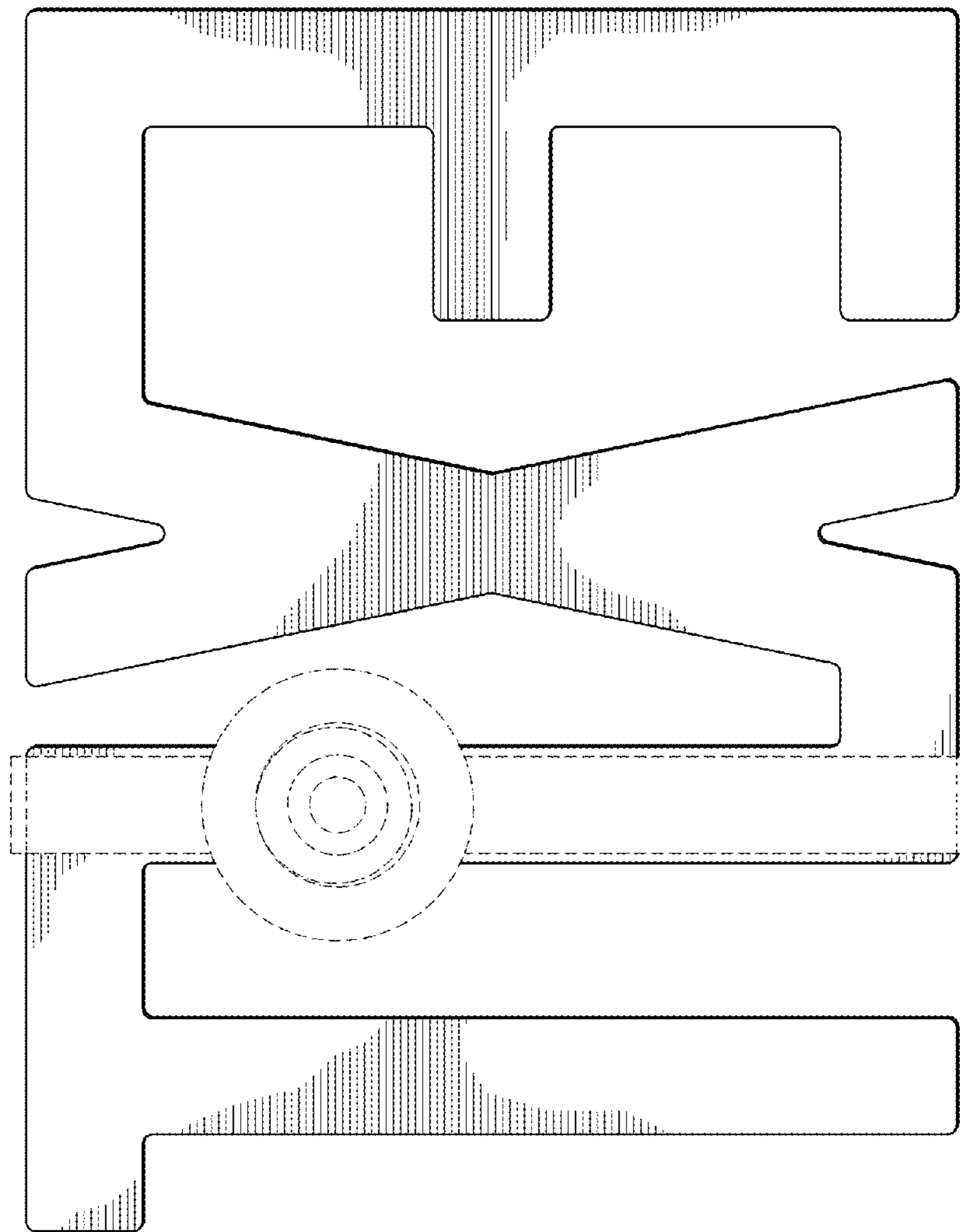


FIG. 5

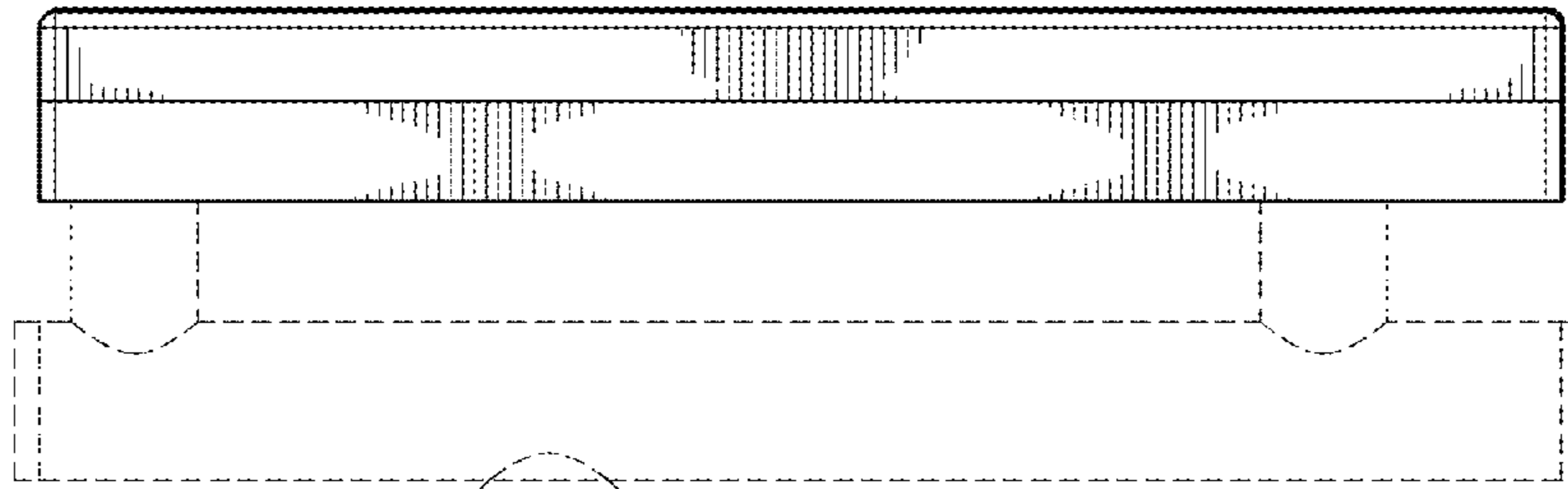


FIG. 4

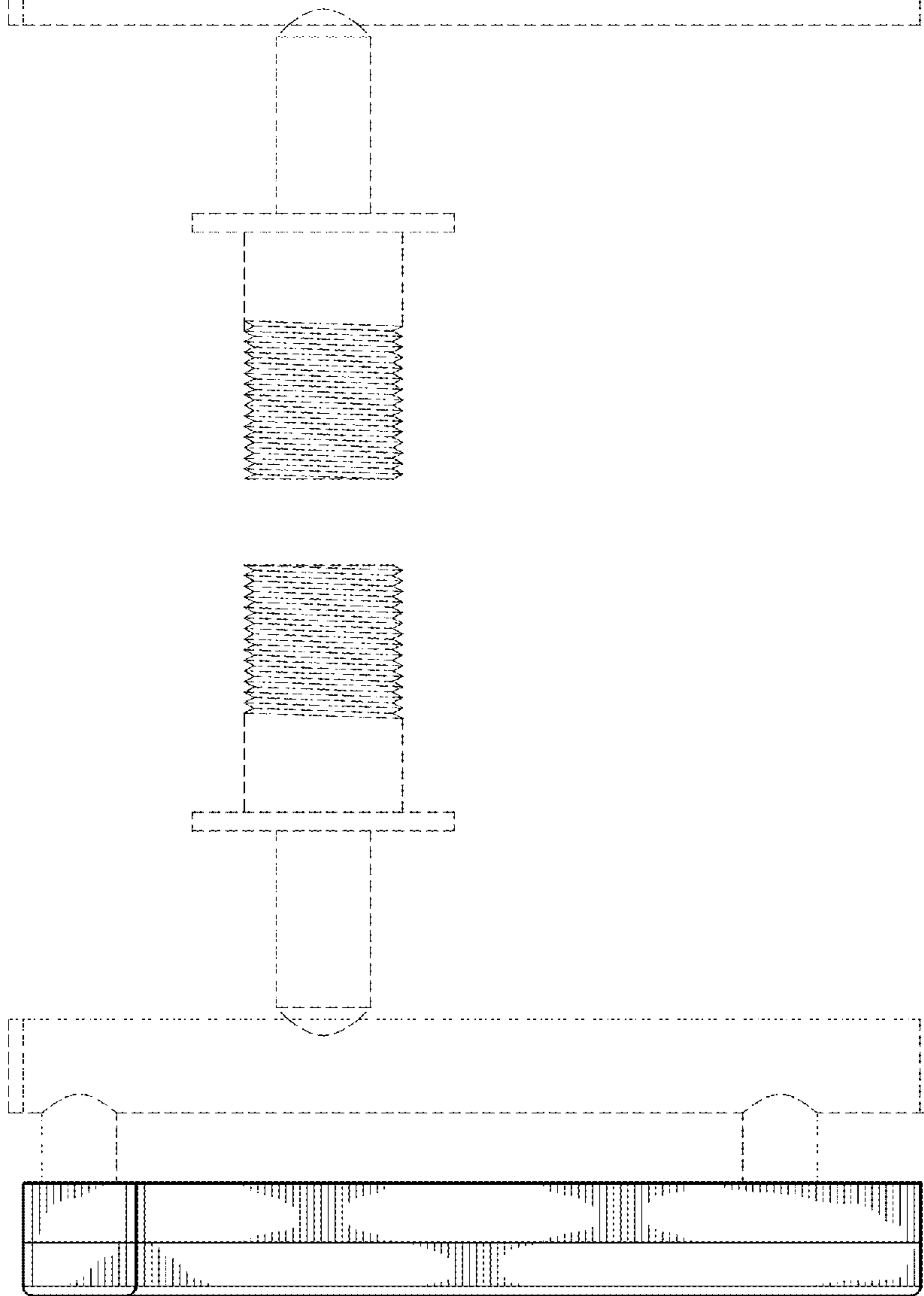
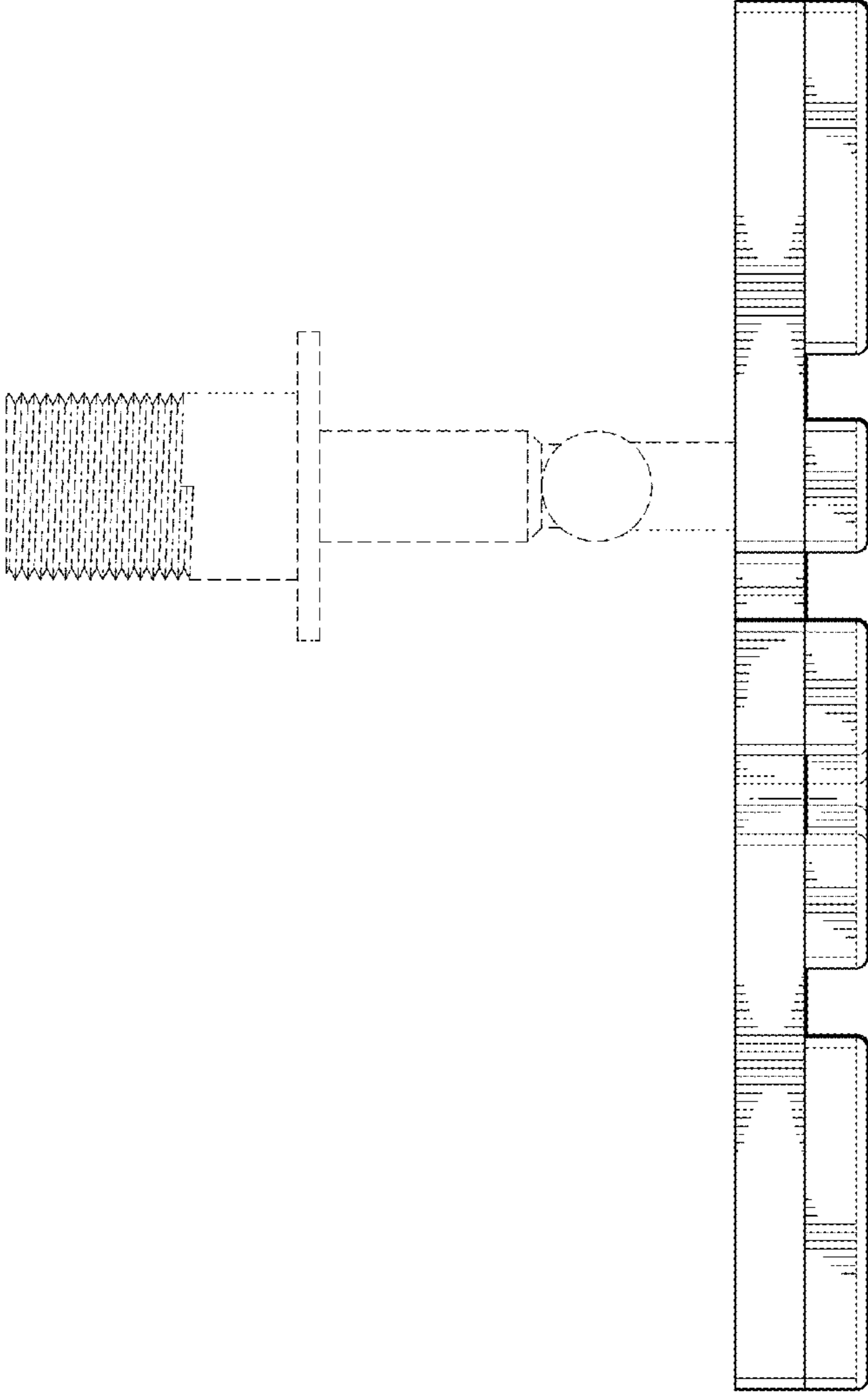


FIG. 6



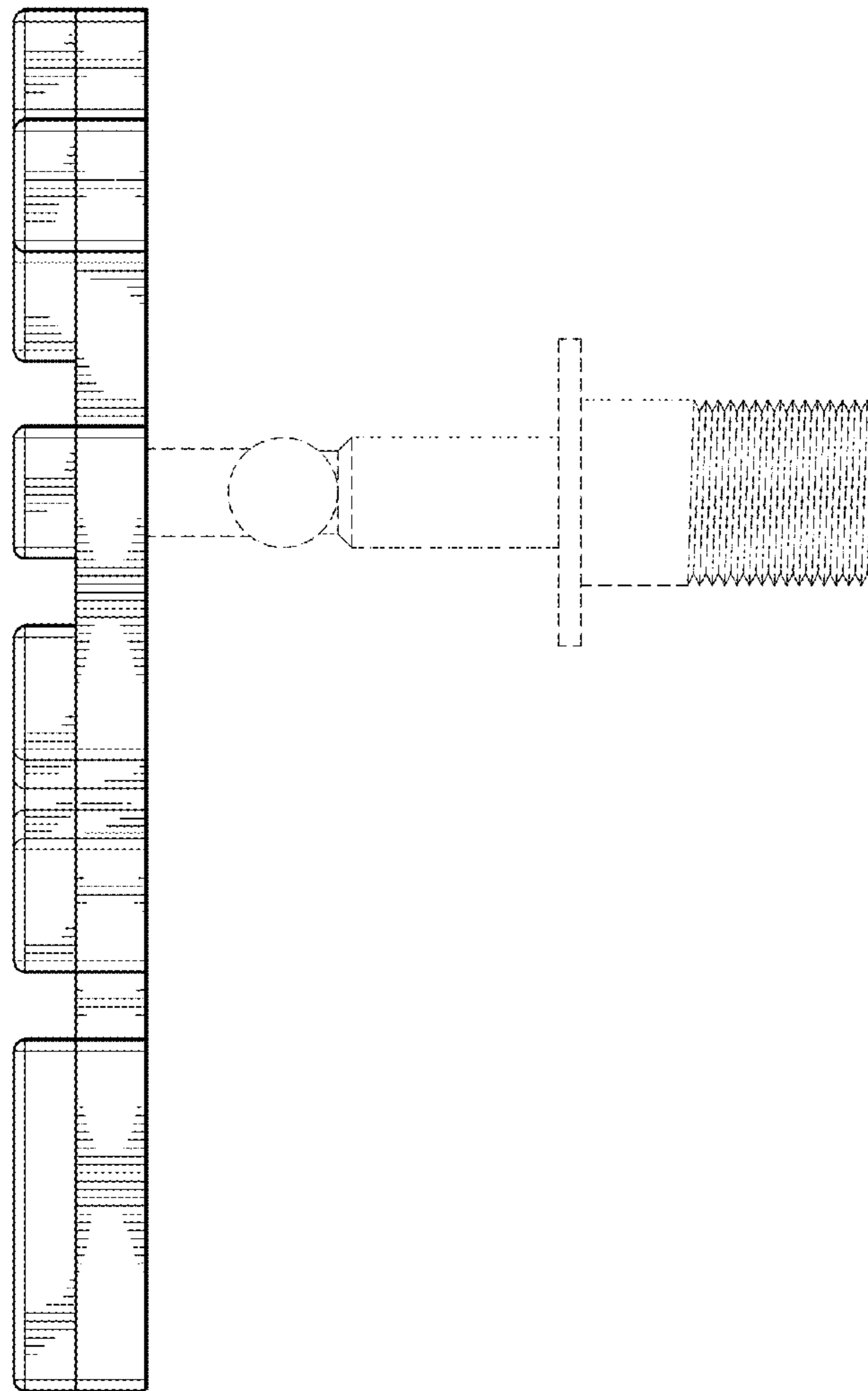


FIG. 7

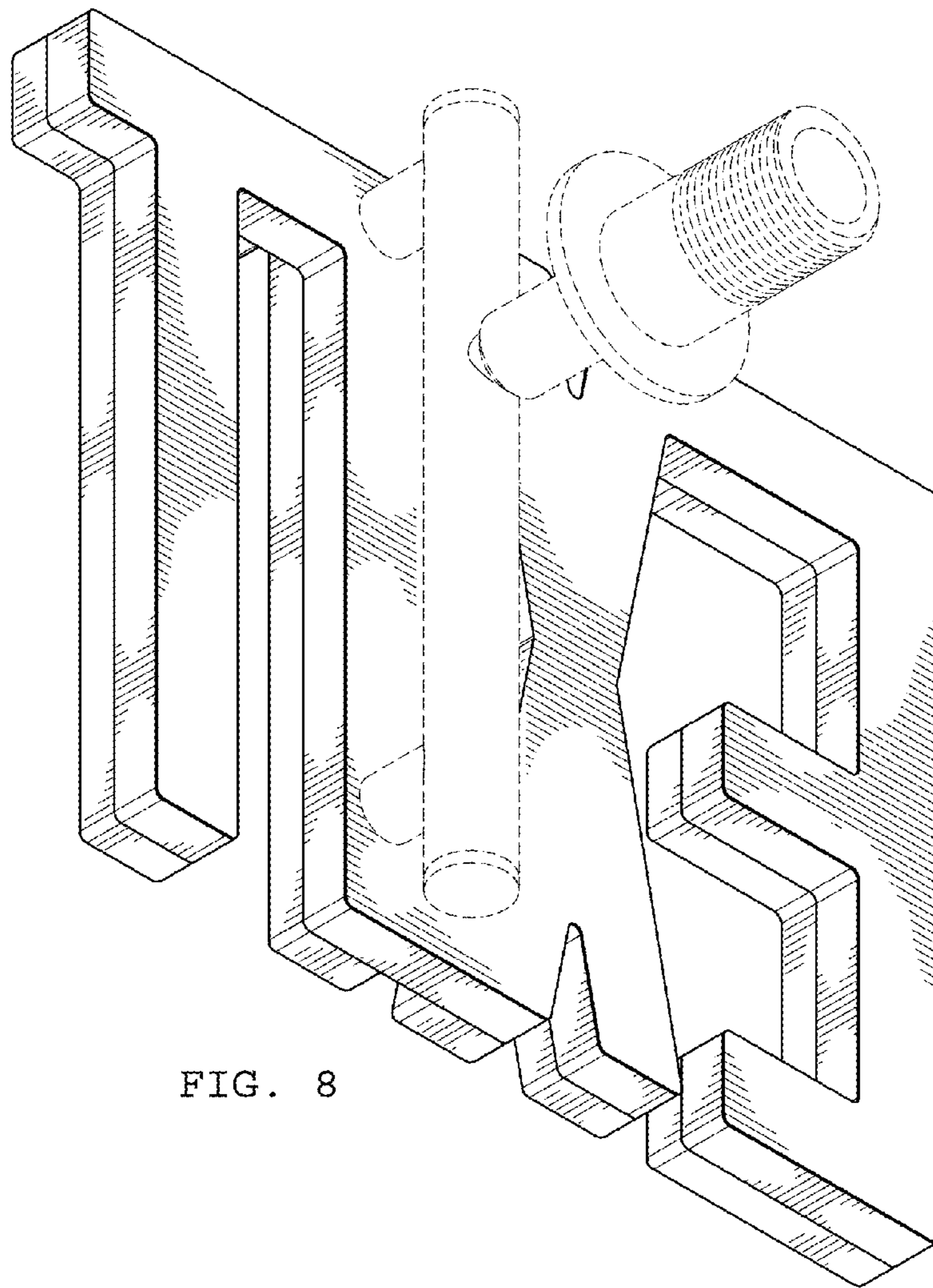


FIG. 8