



US00D717868S

(12) **United States Design Patent**
Chuang

(10) **Patent No.:** **US D717,868 S**

(45) **Date of Patent:** **** Nov. 18, 2014**

(54) **HOLE PUNCH**

(71) Applicant: **Officemate International Corporation,**
Edison, NJ (US)

(72) Inventor: **Chih-Wei Chuang,** Bridgewater, NJ
(US)

(73) Assignee: **Officemate International Corporation,**
Edison, NJ (US)

(**) Term: **14 Years**

(21) Appl. No.: **29/478,219**

(22) Filed: **Jan. 2, 2014**

(51) **LOC (10) Cl.** **19-02**

(52) **U.S. Cl.**
USPC **D19/72**

(58) **Field of Classification Search**
USPC D8/98; D19/72, 73; 83/167, 582, 588,
83/613, 618, 633, 684, 686, 687
See application file for complete search history.

(56) **References Cited**

U.S. PATENT DOCUMENTS

1,995,887	A *	3/1935	Kimball	30/289
D169,080	S *	3/1953	Marano	D19/72
3,392,913	A	7/1968	Nielsen		
4,724,734	A	2/1988	Hse		
5,588,344	A	12/1996	Chun		
5,611,254	A	3/1997	Rall		
5,628,502	A	5/1997	Amarakoon		
5,778,750	A	7/1998	Drzewiecki et al.		
5,787,783	A	8/1998	Evans et al.		
5,797,308	A	8/1998	Evans et al.		
5,829,334	A *	11/1998	Evans et al.	83/618
D414,091	S *	9/1999	Rellinger	D8/50
6,032,566	A *	3/2000	Evans et al.	83/618
6,065,379	A	5/2000	Shinno et al.		

D434,443	S *	11/2000	Mori et al.	D19/72
6,269,721	B1	8/2001	Tseng		
6,295,908	B1	10/2001	Holzhauser et al.		
6,439,093	B1	8/2002	Davies		
6,644,161	B2	11/2003	Lin		
6,688,199	B2	2/2004	Godston et al.		
6,786,395	B1	9/2004	Lin		
6,869,010	B2	3/2005	Morson		
6,955,109	B1	10/2005	Huang		
6,978,925	B2	12/2005	Morson		

(Continued)

Primary Examiner — Elizabeth Albert

(74) *Attorney, Agent, or Firm* — Lerner, David, Littenberg,
Krumholz & Mentlik, LLP

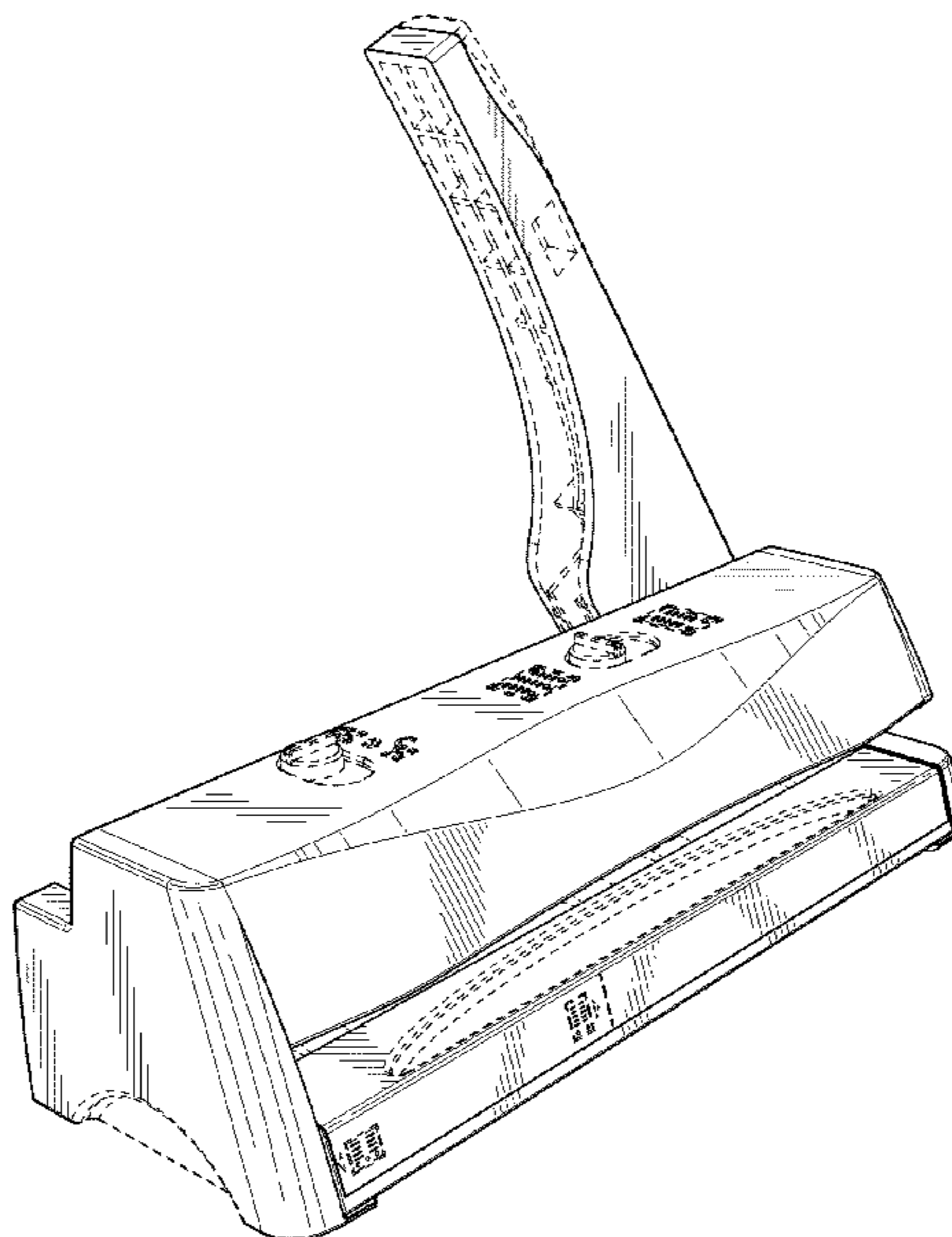
(57) **CLAIM**

The ornamental design for a hole punch, as shown and described.

DESCRIPTION

FIG. 1 is a front view of a hole punch showing my new design;
 FIG. 2 is a rear view of FIG. 1;
 FIG. 3 is a top view of FIG. 1;
 FIG. 4 is a bottom view of FIG. 1;
 FIG. 5 is a right side view of FIG. 1;
 FIG. 6 is a left side view of FIG. 1;
 FIG. 7 is a front perspective view of FIG. 1;
 FIG. 8 is a rear perspective view of FIG. 1;
 FIG. 9 is a front view of FIG. 1 shown in an open position;
 FIG. 10 is a rear view of FIG. 9;
 FIG. 11 is a top view of FIG. 9;
 FIG. 12 is a bottom view of FIG. 9;
 FIG. 13 is a left side view of FIG. 9;
 FIG. 14 is a right side view of FIG. 9;
 FIG. 15 is a front perspective view of FIG. 9; and,
 FIG. 16 is a rear perspective view of FIG. 9.
 The surfaces or portions of the hole punch shown in the drawings in broken lines form no part of the claimed design.

1 Claim, 11 Drawing Sheets



(56)

References Cited

U.S. PATENT DOCUMENTS

6,983,877 B2	1/2006	Ko	7,721,635 B2 *	5/2010	Luo et al.	83/628
7,032,812 B2	4/2006	Ostini	7,721,636 B2 *	5/2010	Liu	83/632
7,073,706 B2	7/2006	Yaginuma et al.	8,122,805 B2 *	2/2012	Liu	83/687
7,111,540 B2	9/2006	Rodriquez	8,651,004 B2 *	2/2014	Liu et al.	83/684
7,255,032 B2	8/2007	Ho	2002/0000149 A1	1/2002	Miura et al.	
D564,593 S	3/2008	Kent et al.	2002/0139232 A1	10/2002	Hsu	
D564,594 S	3/2008	Kent et al.	2002/0157517 A1	10/2002	Huang	
7,458,505 B2	12/2008	Majima et al.	2004/0069110 A1	4/2004	Godston et al.	
D588,647 S *	3/2009	Luo et al. D19/72	2005/0022644 A1	2/2005	Morson	
D592,250 S *	5/2009	Cunningham et al. D19/72	2005/0132859 A1	6/2005	Hunag	
7,610,838 B2	11/2009	Kent et al.	2005/0172775 A1	8/2005	Lee	
7,654,183 B2 *	2/2010	Marks 83/618	2006/0150790 A1	7/2006	Ko	
			2007/0266836 A1 *	11/2007	Marks 83/684	
			2008/0236353 A1	10/2008	Kent et al.	

* cited by examiner

FIG. 1

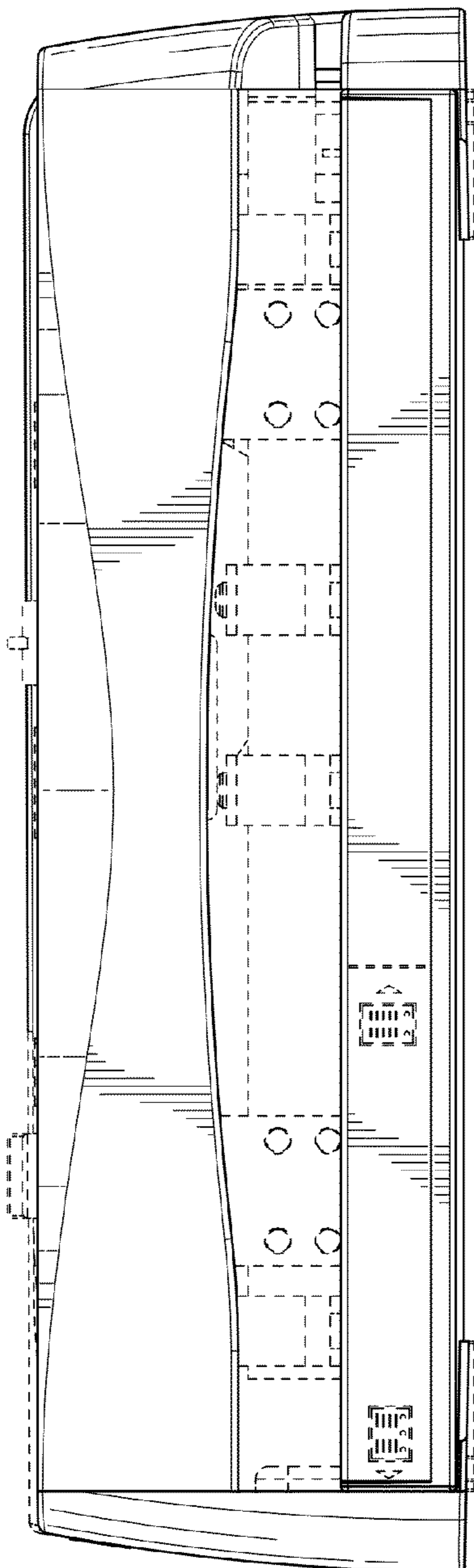


FIG. 2

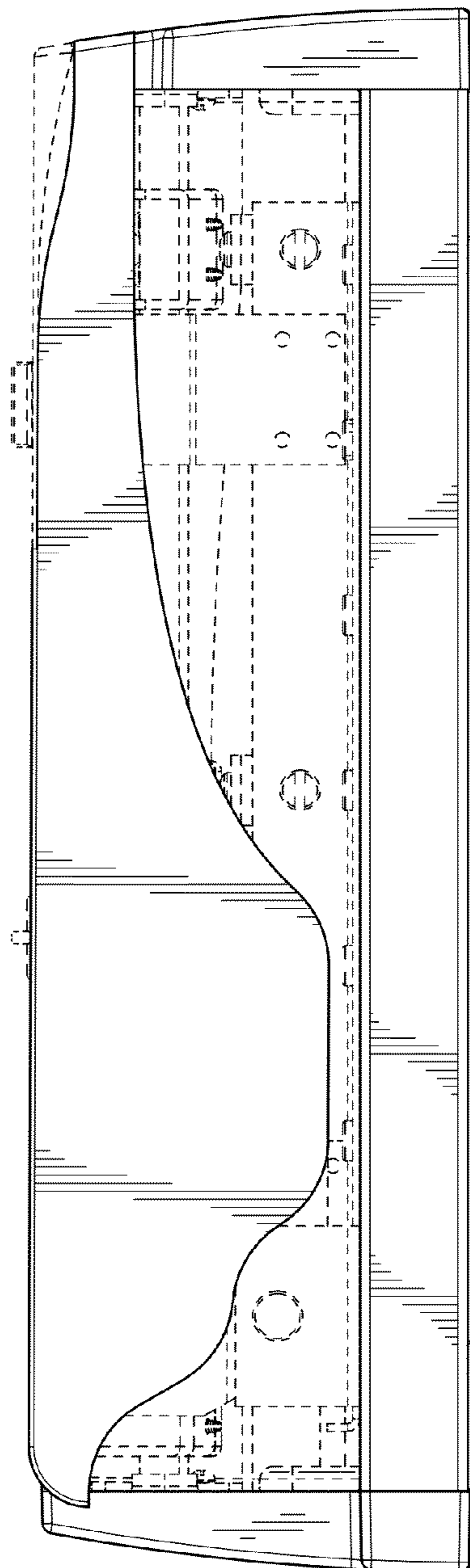


FIG. 3

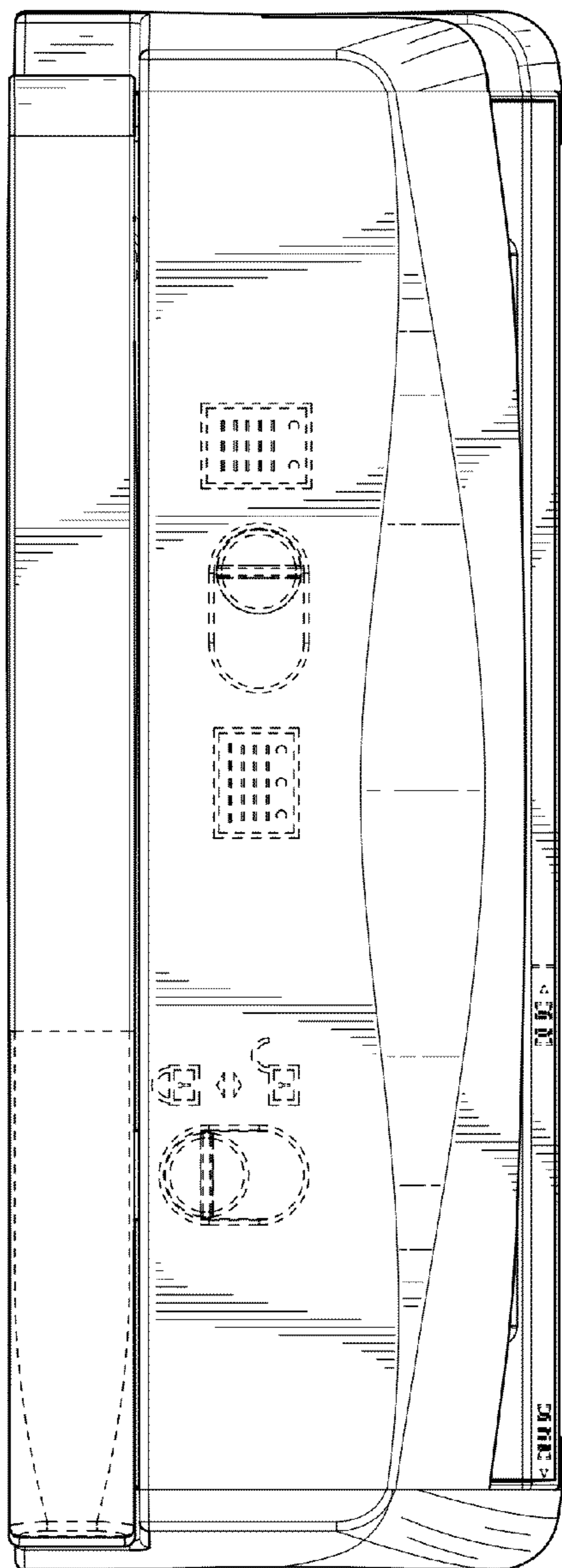


FIG. 4

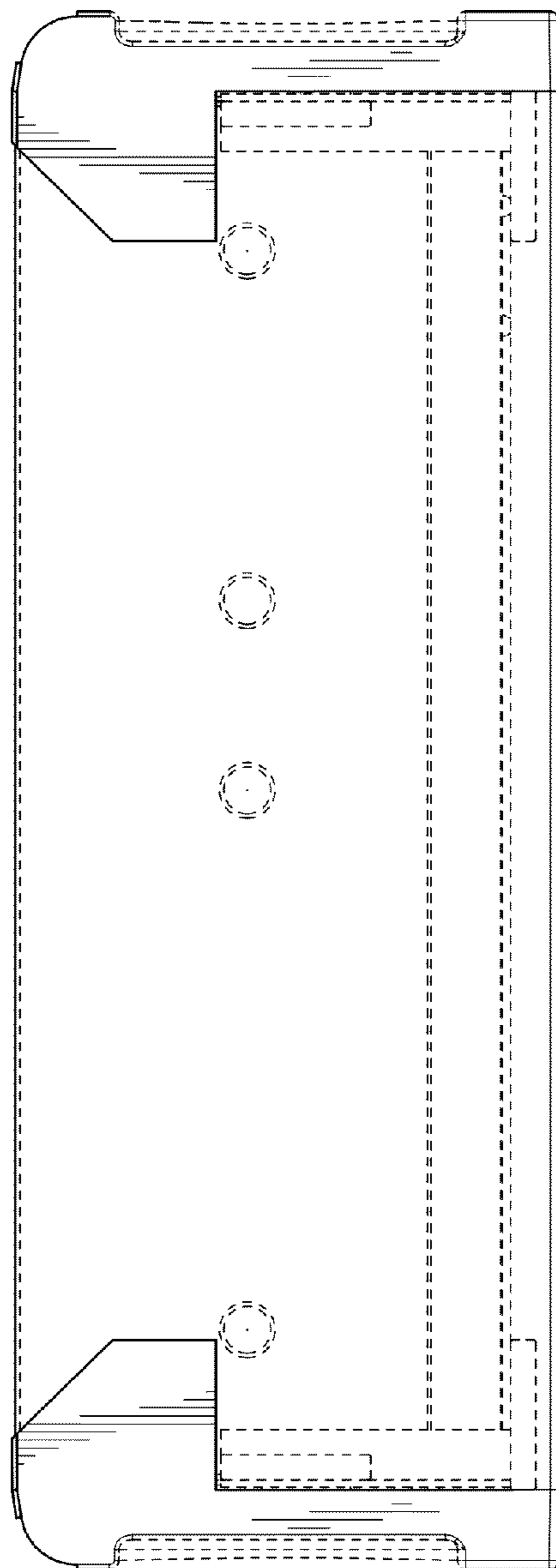


FIG. 5

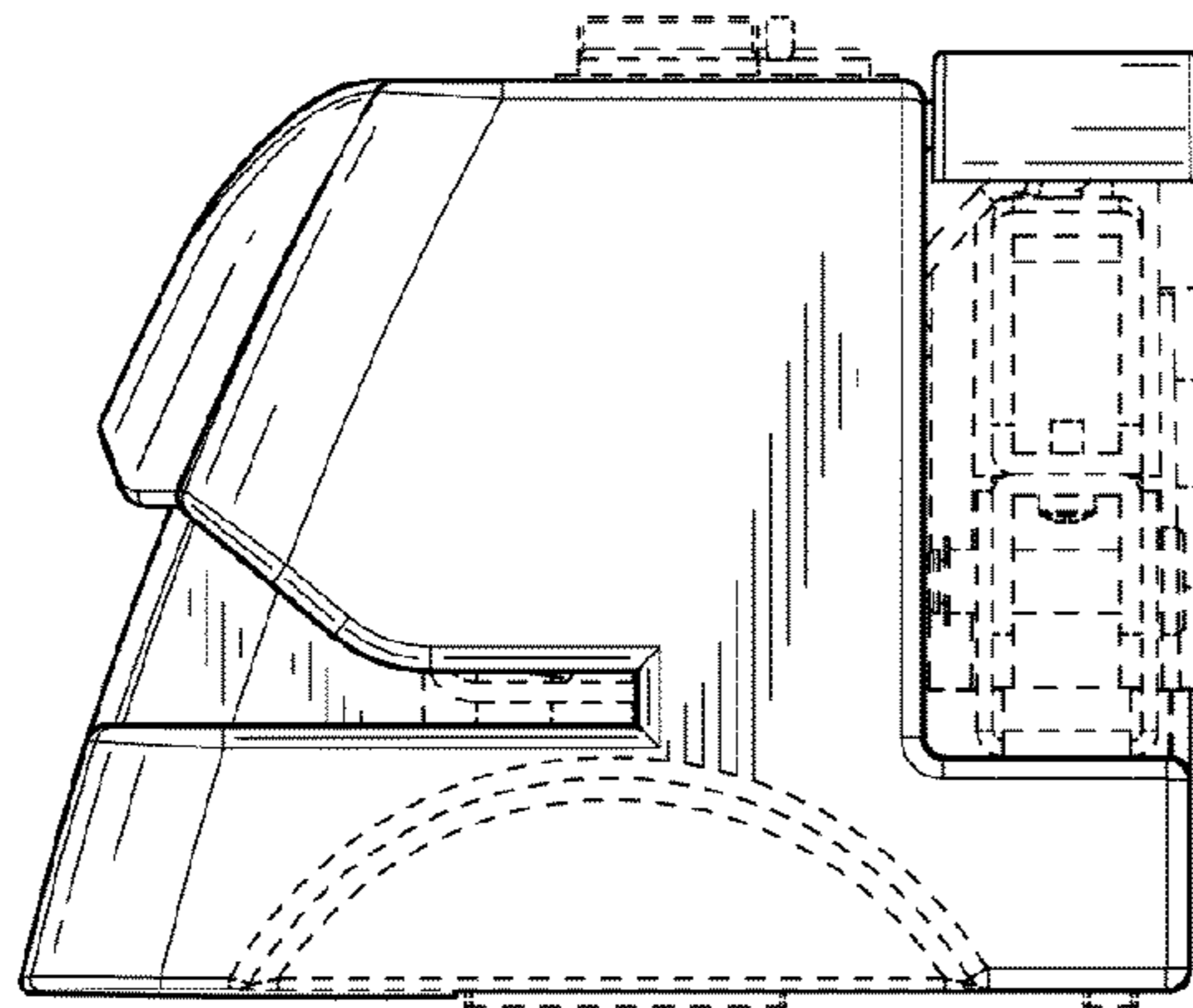


FIG. 6

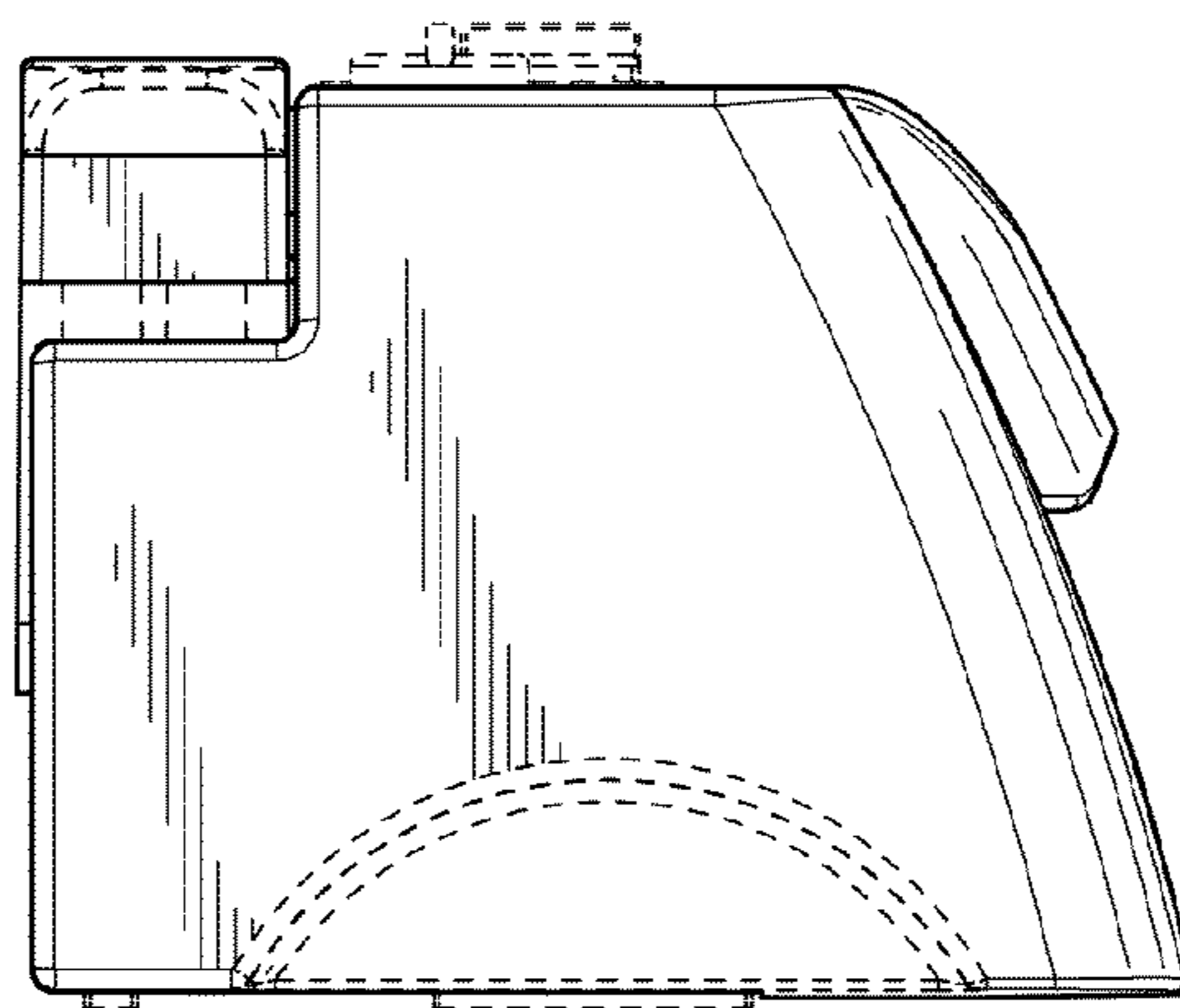


FIG. 7

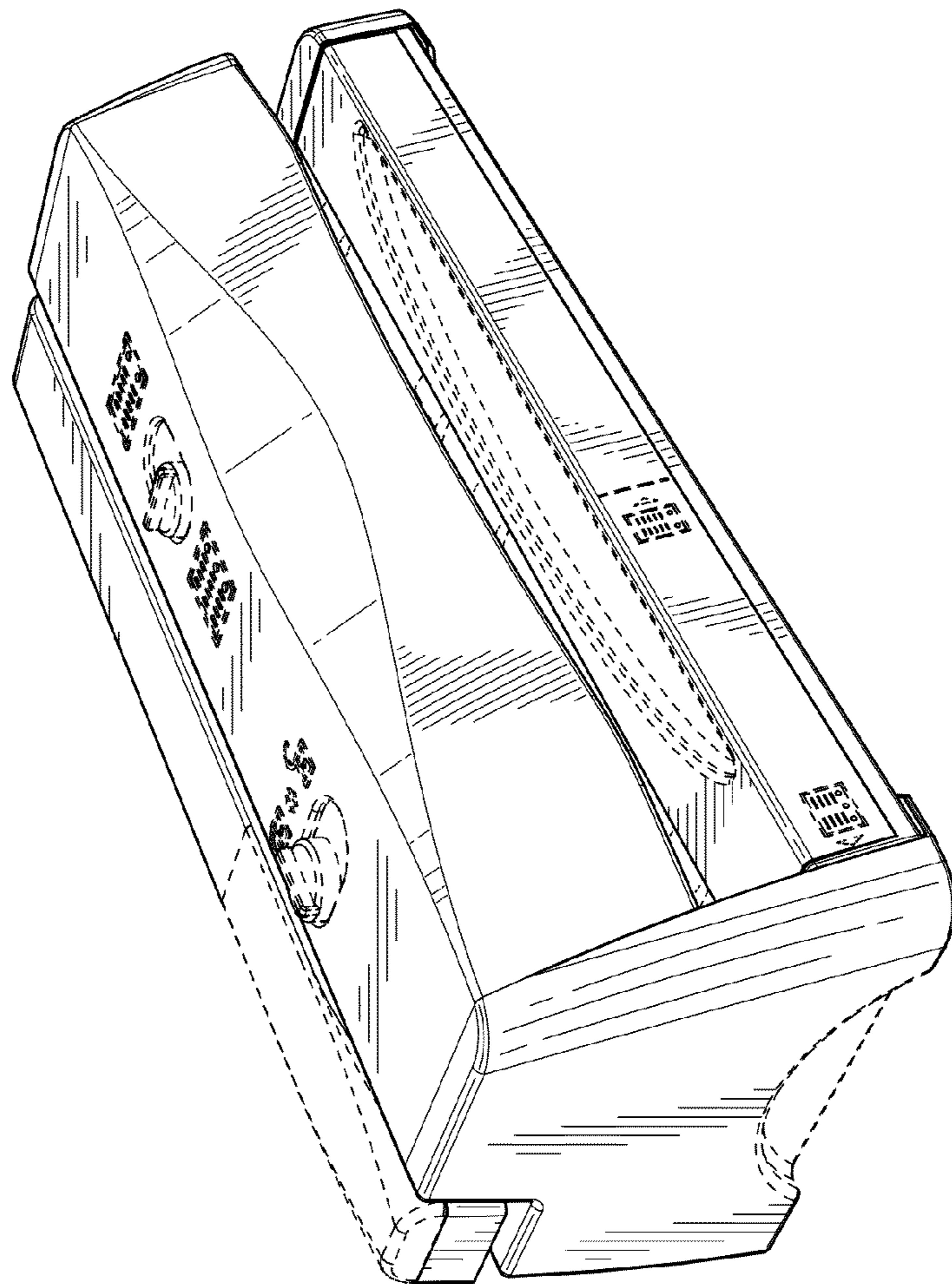
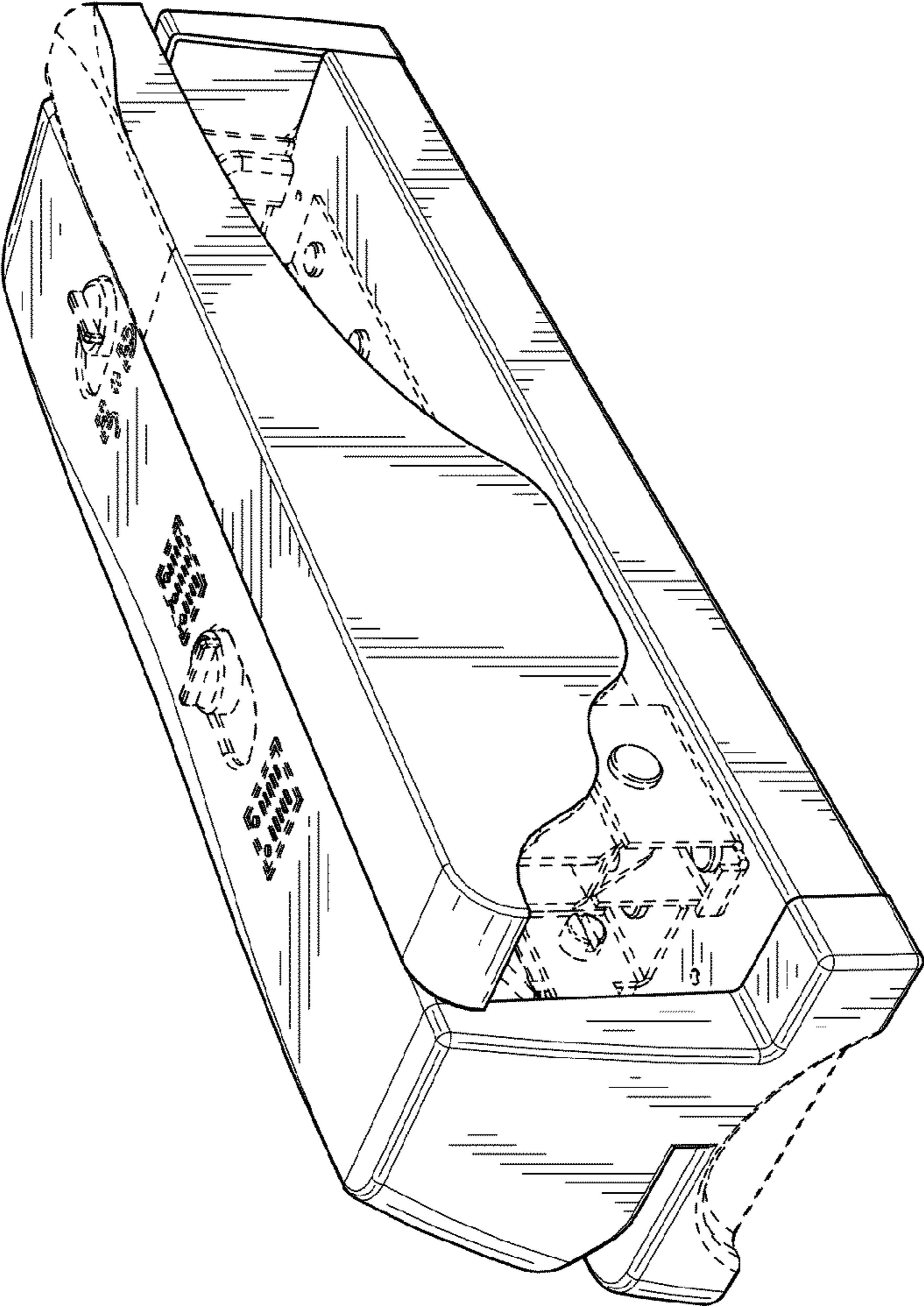


FIG. 8



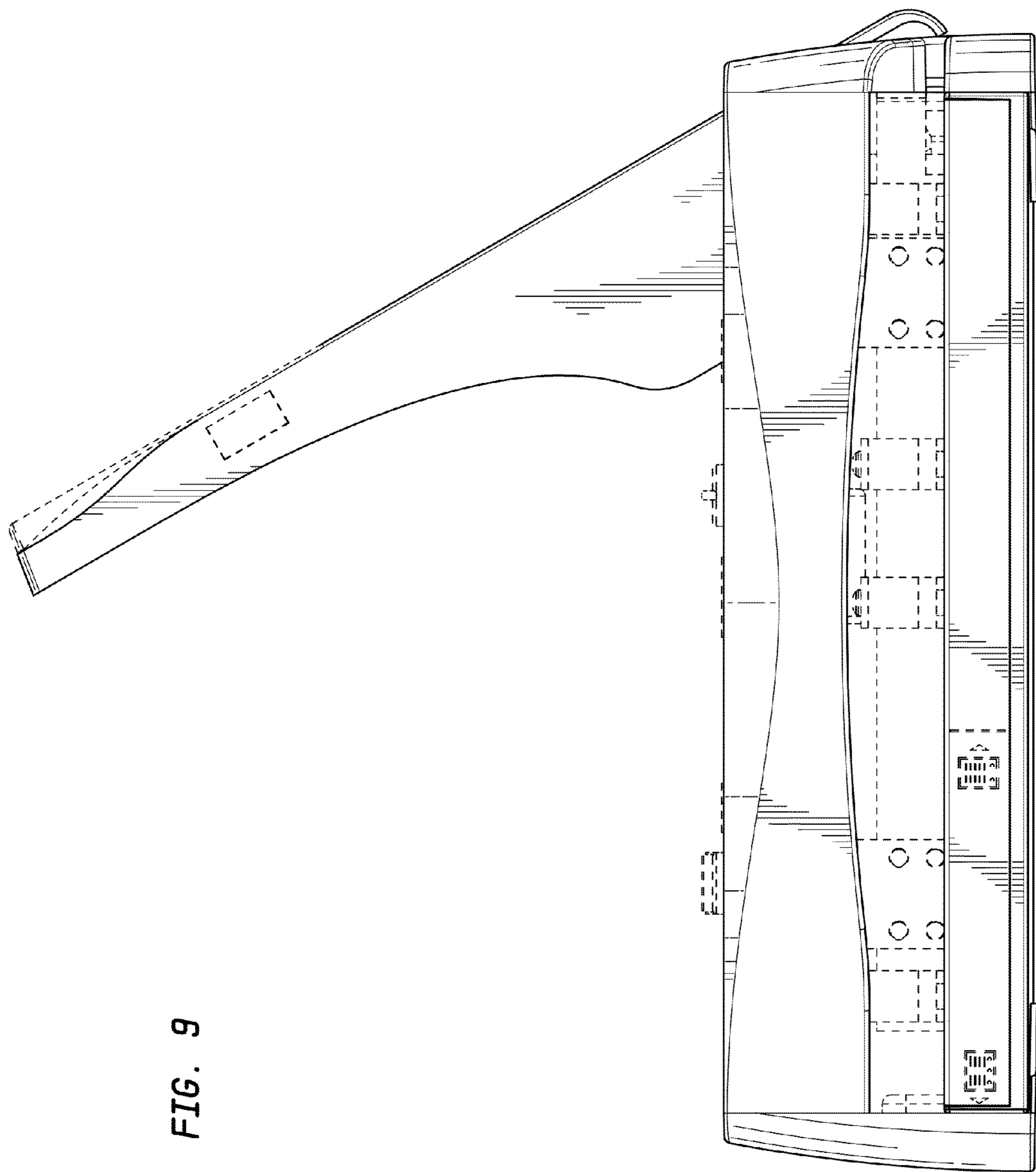


FIG. 9

FIG. 10

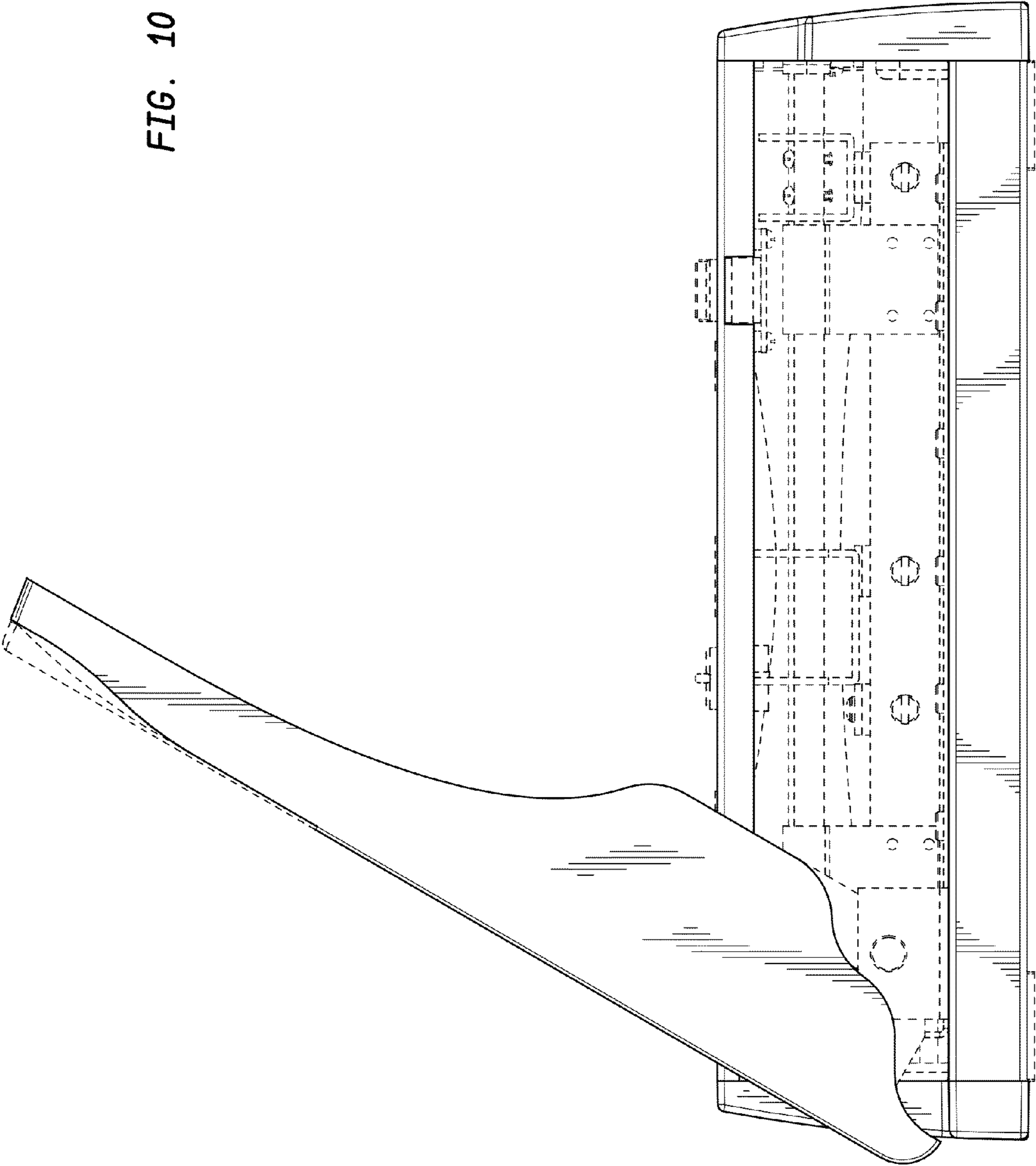


FIG. 11

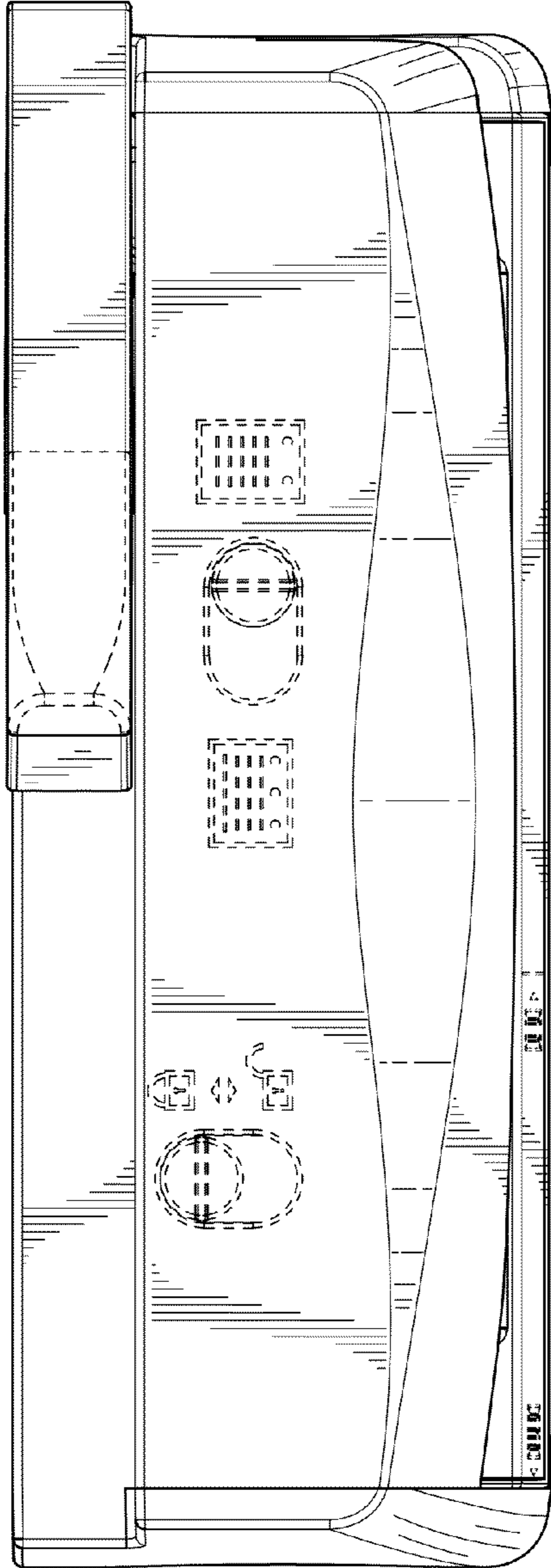


FIG. 12

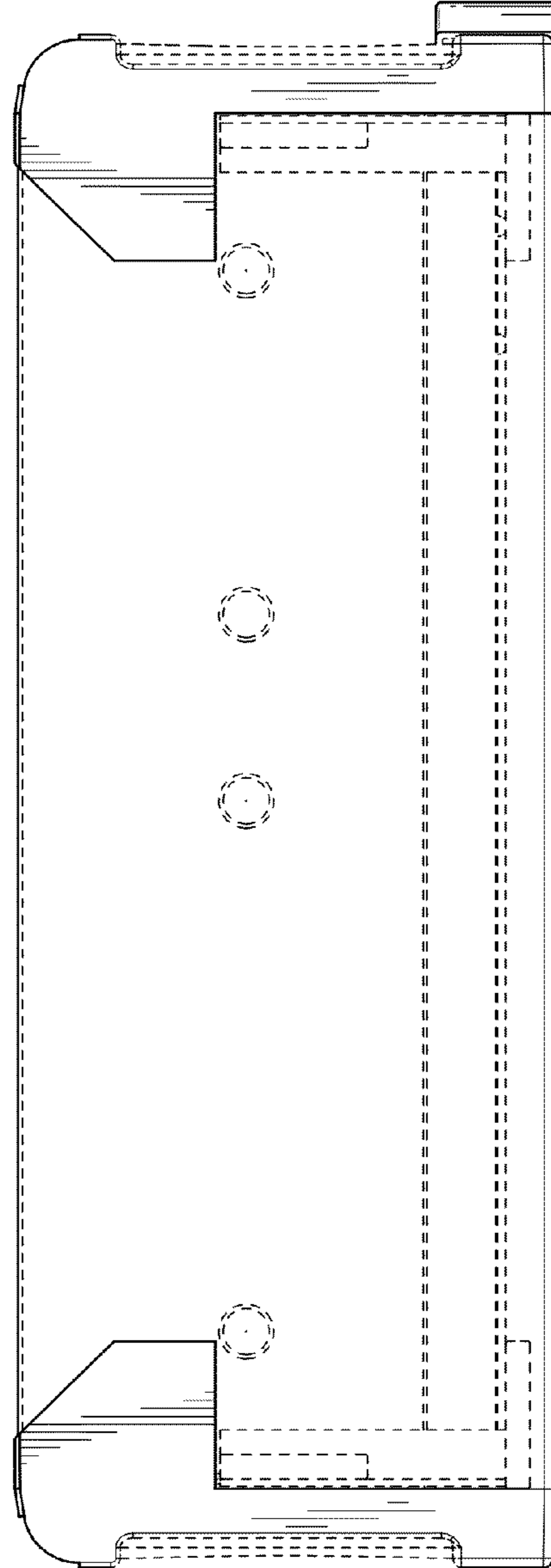


FIG. 13

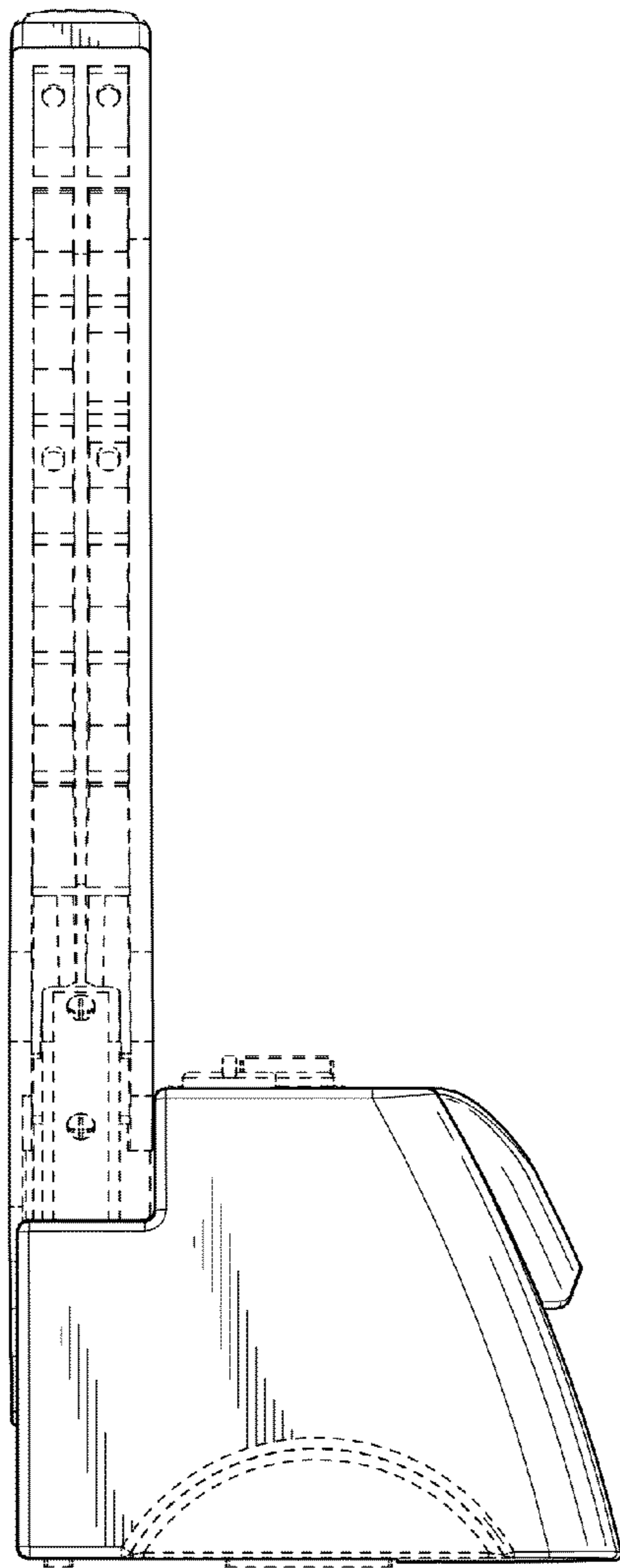
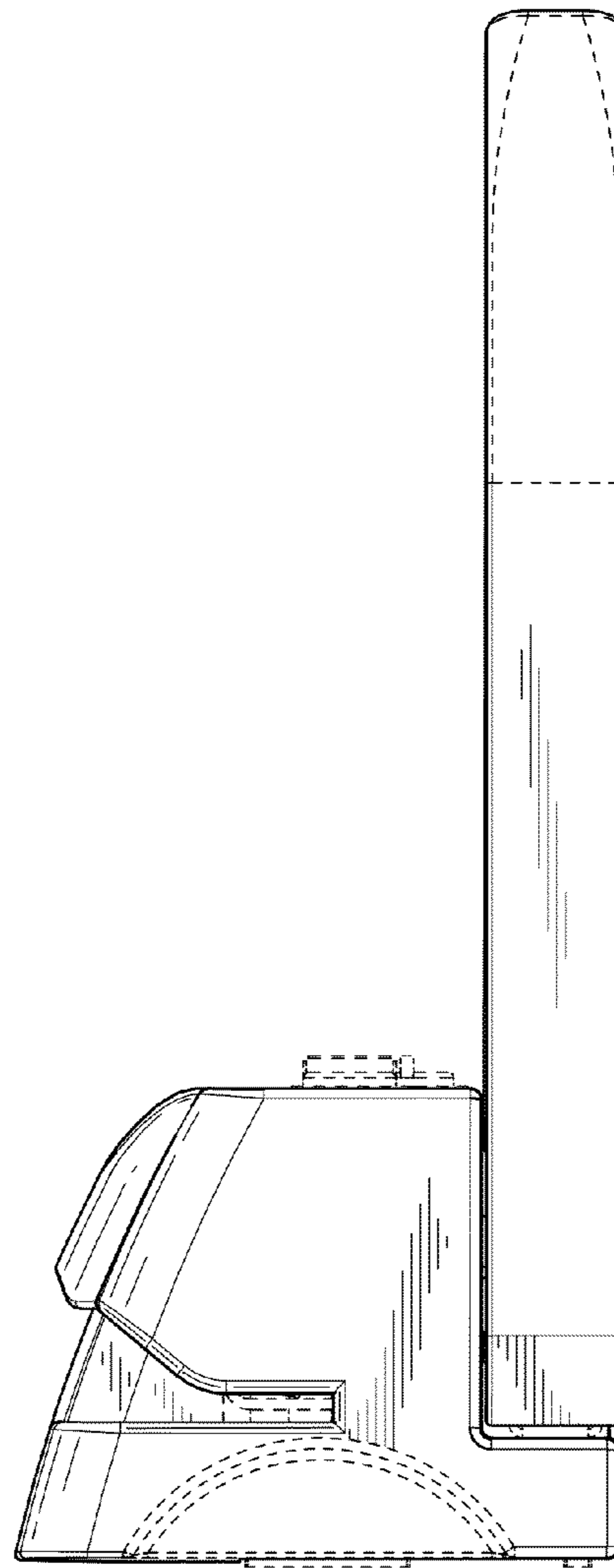


FIG. 14



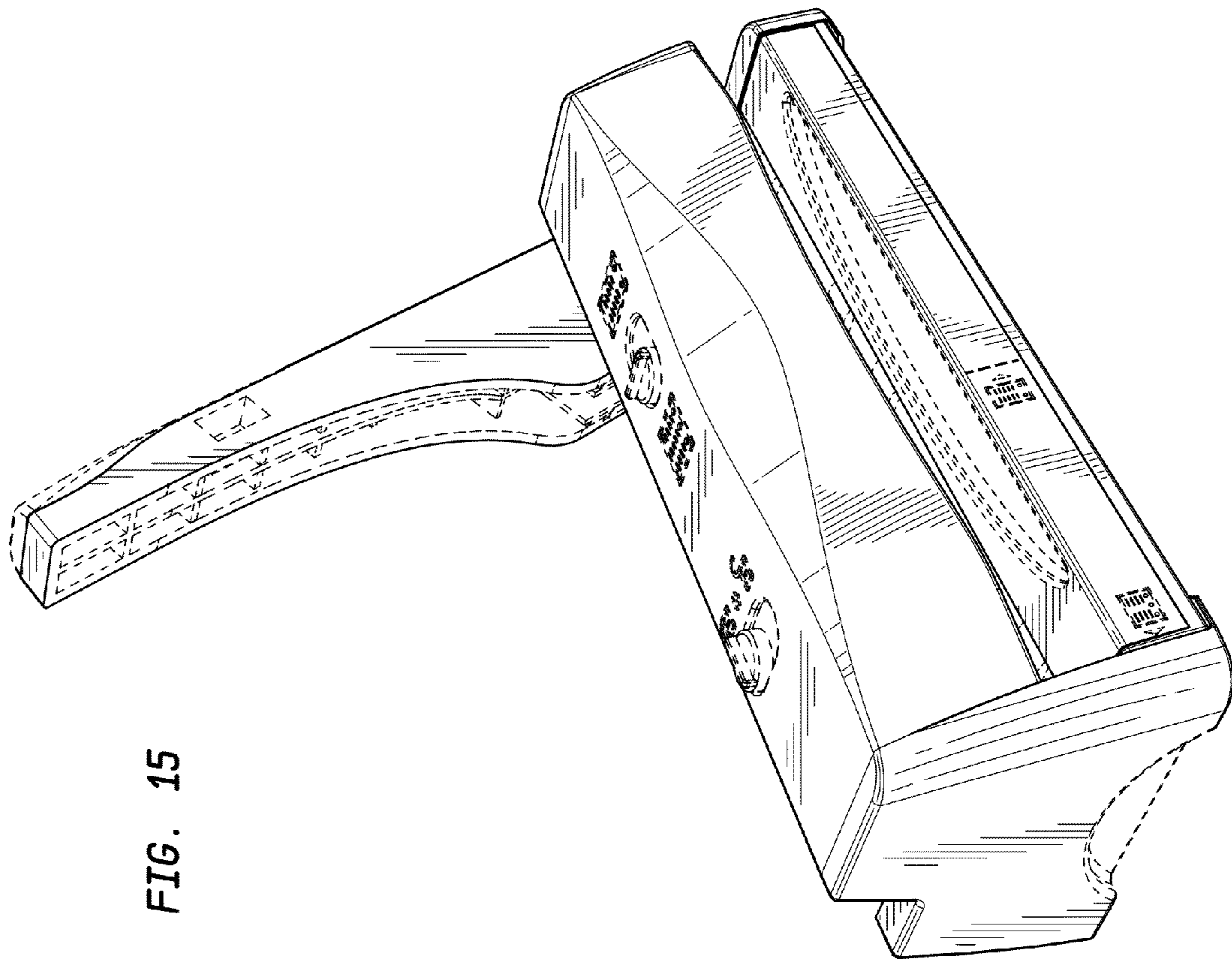


FIG. 15

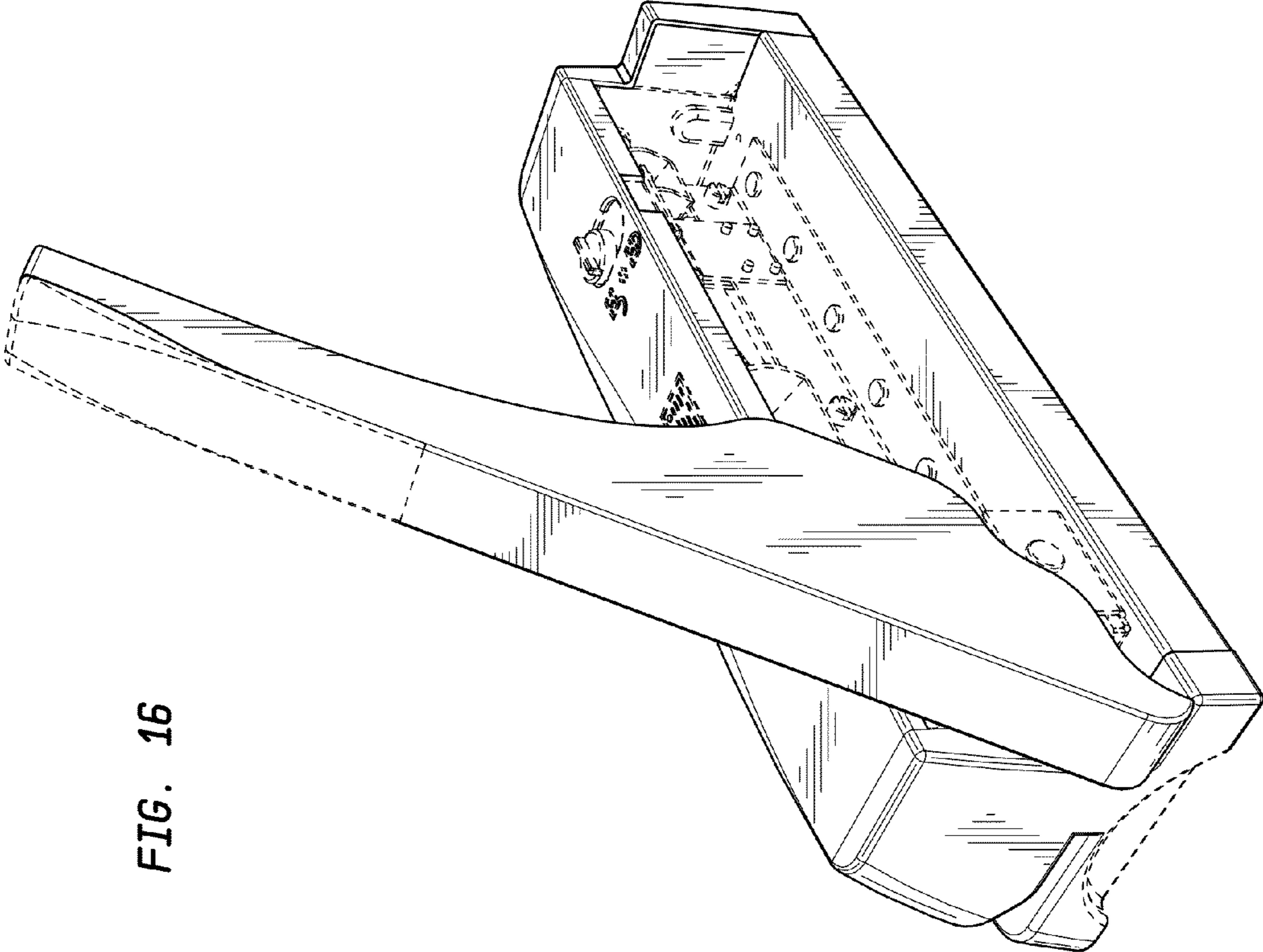


FIG. 16