



US00D717867S

(12) **United States Design Patent**
Lau

(10) **Patent No.:** **US D717,867 S**
(45) **Date of Patent:** **** Nov. 18, 2014**

(54) **NOTE AND CLIP**

(71) Applicant: **Janet K. Lau**, Union City, CA (US)

(72) Inventor: **Janet K. Lau**, Union City, CA (US)

(**) Term: **14 Years**

(21) Appl. No.: **29/454,147**

(22) Filed: **May 7, 2013**

Related U.S. Application Data

(63) Continuation of application No. 29/425,969, filed on Jun. 28, 2012, now Pat. No. Des. 681,733, which is a continuation of application No. 29/369,794, filed on Sep. 13, 2010, now Pat. No. Des. 664,198, and a continuation of application No. 29/369,800, filed on Sep. 13, 2010, now Pat. No. Des. 664,199.

(51) **LOC (10) Cl.** **19-02**

(52) **U.S. Cl.**
USPC **D19/65**

(58) **Field of Classification Search**
USPC D8/394, 395; D19/1, 2, 65, 86, 99, 100;
D20/22, 27, 43; 24/67 R, 67.3, 67.5,
24/67.7, 67.9, 67.11, 546, 547, DIG. 8,
24/DIG. 9; 40/300, 359, 658, 666

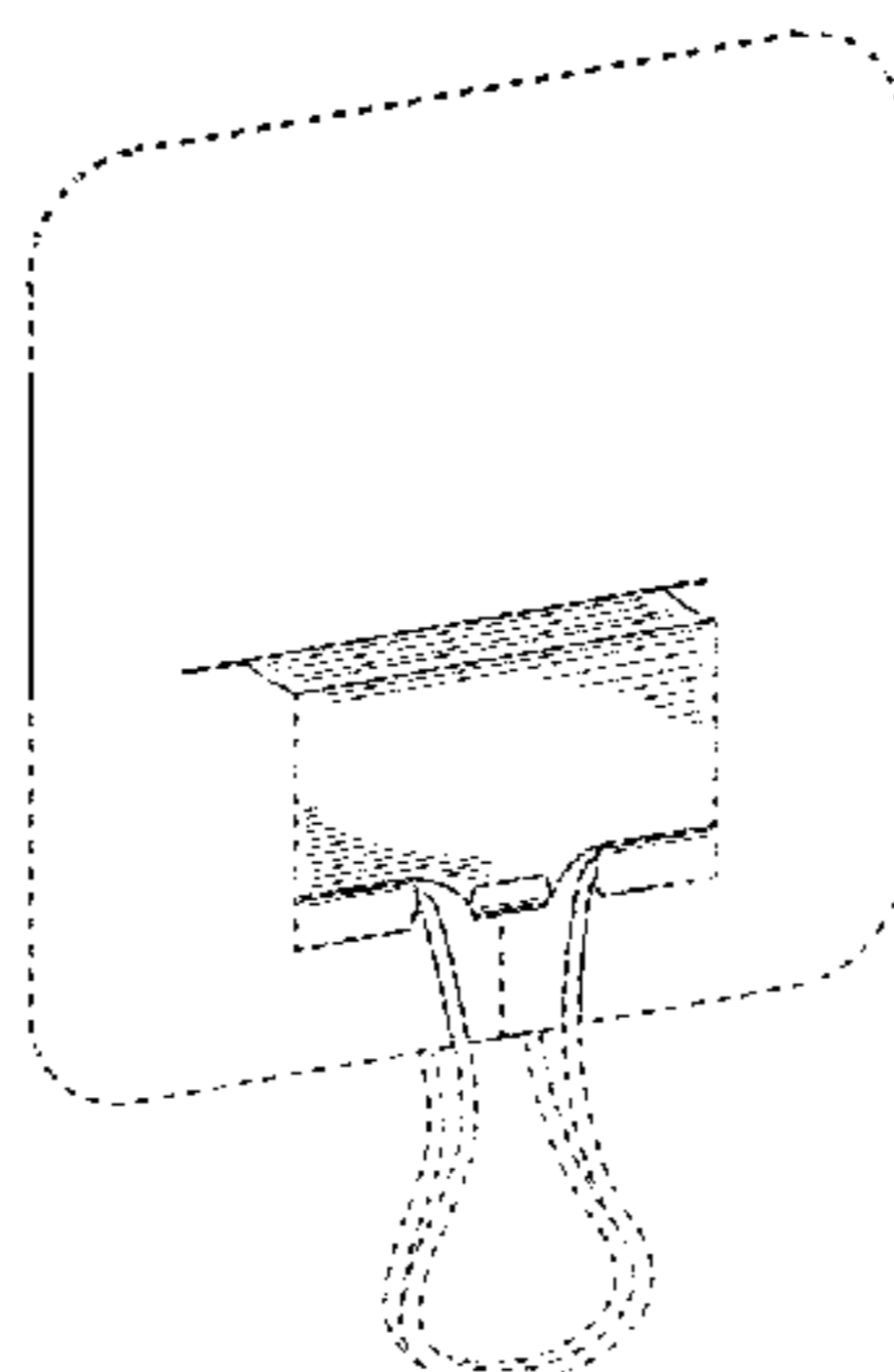
See application file for complete search history.

(56) **References Cited**

U.S. PATENT DOCUMENTS

332,327 A	12/1885	Clark
863,265 A	8/1907	Crouse
876,252 A	1/1908	Baker
962,397 A	6/1910	Whitmore
1,052,505 A	2/1913	Munger et al.
1,123,008 A	12/1914	Rice
1,139,627 A	5/1915	Baltzley
1,158,940 A	11/1915	Litt et al.
1,178,113 A	4/1916	Turton et al.
D50,594 S	4/1917	Voges
1,345,365 A	7/1920	Hutchison
1,465,576 A	8/1923	Biggs
1,501,067 A	7/1924	Schaffert
1,524,478 A	1/1925	Hunter

1,587,335 A	6/1926	Kline	
1,661,165 A	3/1928	Cameron	
1,778,031 A	10/1930	Kinch	
1,802,980 A	4/1931	Marsh	
1,826,580 A	10/1931	Spinney	
1,840,604 A	1/1932	Randall	
1,865,453 A *	7/1932	Baltzley	24/545
1,888,704 A	11/1932	Swett	
1,894,906 A	1/1933	Henry	
1,914,671 A	6/1933	O'Neil	
1,976,465 A	10/1934	Thomson	
1,977,096 A	10/1934	Straubel	
1,985,866 A	12/1934	Lankenau	
1,997,894 A	4/1935	Woodley	
2,008,019 A	7/1935	Horlick, Jr.	
D104,956 S	6/1937	Baker	
2,118,043 A	5/1938	Goza	
2,156,743 A	5/1939	Skrebba	
2,323,552 A	7/1943	Marion	
D136,639 S	11/1943	Hoffman	
2,362,445 A	11/1944	Blodgett	
2,415,248 A	2/1947	Kenna et al.	
2,420,021 A	5/1947	Straubel	
2,623,311 A	12/1952	Condon	
2,695,026 A	11/1954	Broneer	
3,073,046 A	1/1963	Condon	
3,107,673 A	10/1963	Haddad	
3,123,924 A	3/1964	Roberts	
3,225,469 A	12/1965	Chase	
3,247,602 A	4/1966	Hamilton et al.	
3,290,810 A	12/1966	Morena	
3,301,264 A	1/1967	Usoskin	
3,360,877 A	1/1968	Estep	
D299,571 S	12/1973	Fearing	
3,934,368 A	1/1976	Fearing	
D241,342 S	9/1976	Carroll	
D268,848 S	5/1983	Lorber	
4,384,417 A	5/1983	Thompson	
4,425,724 A	1/1984	Scott	
4,532,680 A *	8/1985	Hashimoto	24/67 R
4,646,455 A	3/1987	Gardner	
4,691,458 A	9/1987	Scott	
D295,540 S	5/1988	Rabig	
4,761,862 A *	8/1988	Hiromori	24/67.9
4,878,302 A	11/1989	Jowsey	
4,951,408 A	8/1990	Banks	
D314,012 S	1/1991	Klodt	
D321,209 S *	10/1991	Hiromori	D19/65
D327,183 S	6/1992	Meyer	
5,199,203 A	4/1993	Jones	
5,481,784 A	1/1996	Sinaiko	
D368,487 S *	4/1996	Lindberg	D19/1
5,533,236 A *	7/1996	Tseng	24/67.5



D372,498	S	*	8/1996	Sato	D19/65
5,619,789	A	*	4/1997	Chung	29/814
5,638,583	A	*	6/1997	Tseng	24/67.5
D382,405	S		8/1997	Ohayon		
D383,789	S		9/1997	Shyu		
5,695,219	A		12/1997	Crawford		
5,890,688	A	*	4/1999	Riordan	248/205.3
5,896,624	A	*	4/1999	Horswell	24/67.5
D409,245	S		5/1999	Wolff		
5,950,283	A	*	9/1999	Sato	24/67 R
D416,040	S		11/1999	Kasom et al.		
D416,584	S		11/1999	Ho		
5,996,130	A		12/1999	Verhines		
6,197,396	B1		3/2001	Haas et al.		
6,327,749	B1	*	12/2001	Antinone	24/67 R
6,363,941	B1	*	4/2002	Combs	131/190
6,374,463	B1	*	4/2002	Kaufman	24/67.5
D465,525	S		11/2002	Dilday		
D468,355	S	*	1/2003	Danella et al.	D19/65
D476,172	S		6/2003	Bourne, Sr.		
D478,122	S		8/2003	Haas		
D479,560	S	*	9/2003	Deaton, Sr.	D20/19
D485,780	S	*	1/2004	Thomson	D11/78.1
D488,835	S	*	4/2004	Haruhiro	D19/90
7,005,170	B1	*	2/2006	Simpson et al.	428/40.1
7,040,051	B2	*	5/2006	Windorski	40/641
7,120,969	B2	*	10/2006	Carls	24/67.3
7,225,570	B2	*	6/2007	Windorski	40/641
7,246,458	B2	*	7/2007	Ternovits et al.	40/600
7,318,293	B2	*	1/2008	Ardern, II	40/666
7,325,349	B2	*	2/2008	Becker	40/658
D565,109	S		3/2008	Lau		
D565,112	S		3/2008	Lau		
D566,184	S		4/2008	Lau		
D580,982	S	*	11/2008	Lau	D19/65
D616,294	S	*	5/2010	Britt et al.	D9/414
D616,736	S	*	6/2010	Britt et al.	D9/415
7,730,593	B1	*	6/2010	Juilly	24/67.5
7,921,525	B1	*	4/2011	Lucas	24/306
D642,623	S	*	8/2011	Turner et al.	D20/40
7,992,260	B1	*	8/2011	Juilly	24/67.5
2001/0032376	A1	*	10/2001	Payne	24/67.5
2003/0115722	A1	*	6/2003	Shogbamimu et al.	24/67 R
2005/0060923	A1	*	3/2005	Ardern	40/658
2005/0217078	A1		10/2005	Groch et al.		
2006/0000133	A1		1/2006	Windorski		
2006/0130288	A1	*	6/2006	Carls	24/67.3
2007/0209264	A1		9/2007	Lau		
2010/0313393	A1		12/2010	Kim et al.		
2011/0067278	A1	*	3/2011	Hulbert	40/593

* cited by examiner

FOREIGN PATENT DOCUMENTS

JP	09-071065	A	3/1997
JP	2001-353992	A	12/2001

Primary Examiner — Elizabeth Albert
(74) Attorney, Agent, or Firm — Aka Chan LLP

(57) CLAIM

The ornamental design for a note and clip, as shown and described.

DESCRIPTION

FIG. 1 shows a perspective view of a first embodiment of a design of a note and clip.
FIG. 2 shows a right-side view of FIG. 1. A left-side view is a mirror image of the right-side view.
FIG. 3 shows another perspective view of FIG. 1.
FIG. 4 shows a front view of FIG. 1. A back view is a mirror image of the front view.

FIG. 5 shows a right-side view of FIG. 1. A left-side view is a mirror image of the right-side view.
FIG. 6 shows a back view of FIG. 1. A front view is a mirror image of the back view.
FIG. 7 shows a top view of FIG. 1.
FIG. 8 shows a bottom view of FIG. 1.
FIG. 9 shows a perspective view of a second embodiment of a design of a note and clip.
FIG. 10 shows a right-side view of FIG. 9. A left-side view is a mirror image of the right-side view.
FIG. 11 shows another perspective view of FIG. 9.
FIG. 12 shows a front view of FIG. 9. A back view is a mirror image of the front view.
FIG. 13 shows a right-side view of FIG. 9. A left-side view is a mirror image of this right-side view.
FIG. 14 shows a back view of FIG. 9. A front view is a mirror image of the back view.
FIG. 15 shows a top view of FIG. 9.
FIG. 16 shows a bottom view of FIG. 9.
FIG. 17 shows a perspective view of a third embodiment of a design of a note and clip.
FIG. 18 shows a right-side view of FIG. 17. A left-side view is a mirror image of the right-side view.
FIG. 19 shows another perspective view of FIG. 17.
FIG. 20 shows a front view of FIG. 17. A back view of this embodiment is a mirror image of the front view.
FIG. 21 shows a right-side view of FIG. 17. A left-side view of this embodiment is a mirror image of the right-side view.
FIG. 22 shows a back view of FIG. 17. A front view of this embodiment is a mirror image of the back view.
FIG. 23 shows a top view of FIG. 17.
FIG. 24 shows a bottom view of FIG. 17.
FIG. 25 shows a perspective view of a fourth embodiment of a design of a note and clip.
FIG. 26 shows a right-side view of FIG. 25. A left-side view of this embodiment is a mirror image of the right-side view.
FIG. 27 shows another perspective view of FIG. 25.
FIG. 28 shows a front view of FIG. 25. A back view of this embodiment is a mirror image of the front view.
FIG. 29 shows a right-side view of FIG. 25. A left-side view of this embodiment is a mirror image of the right-side view.
FIG. 30 shows a front view of FIG. 25. A back view of this embodiment is a mirror image of the front view.
FIG. 31 shows a top view of FIG. 25.
FIG. 32 shows a bottom view of FIG. 25.
FIG. 33 shows a perspective view of a fifth embodiment of a design of a note and clip.
FIG. 34 shows a right-side view of FIG. 33. A left-side view of this embodiment is a mirror image of the right-side view.
FIG. 35 shows another perspective view of FIG. 33.
FIG. 36 shows a front view of FIG. 33. A back view of this embodiment is a mirror image of the front view.
FIG. 37 shows a right-side view of FIG. 33. A left-side view of this embodiment is a mirror image of the right-side view.
FIG. 38 shows a front view of FIG. 33. A back view of this embodiment is a mirror image of the front view.
FIG. 39 shows a top view of FIG. 33.
FIG. 40 shows a bottom view of FIG. 33.
FIG. 41 shows a perspective view of a sixth embodiment of a design of a note and clip.
FIG. 42 shows a right-side view of FIG. 41. A left-side view of this embodiment is a mirror image of the right-side view.
FIG. 43 shows another perspective view of FIG. 41.
FIG. 44 shows a front view of FIG. 41. A back view of this embodiment is a mirror image of the front view.

FIG. 45 shows a right-side view of FIG. 41. A left-side view of this embodiment is a mirror image of the right-side view. FIG. 46 shows a front view of FIG. 41. A back view of this embodiment is a mirror image of the front view. FIG. 47 shows a top view of FIG. 41; and, FIG. 48 shows a bottom view of FIG. 41.

The surfaces of the note are entirely unclaimed except for the edge lines that are shown as solid lines. The broken-line features in the figures are for illustrative purposes only and form no part of the claimed design.

1 Claim, 6 Drawing Sheets

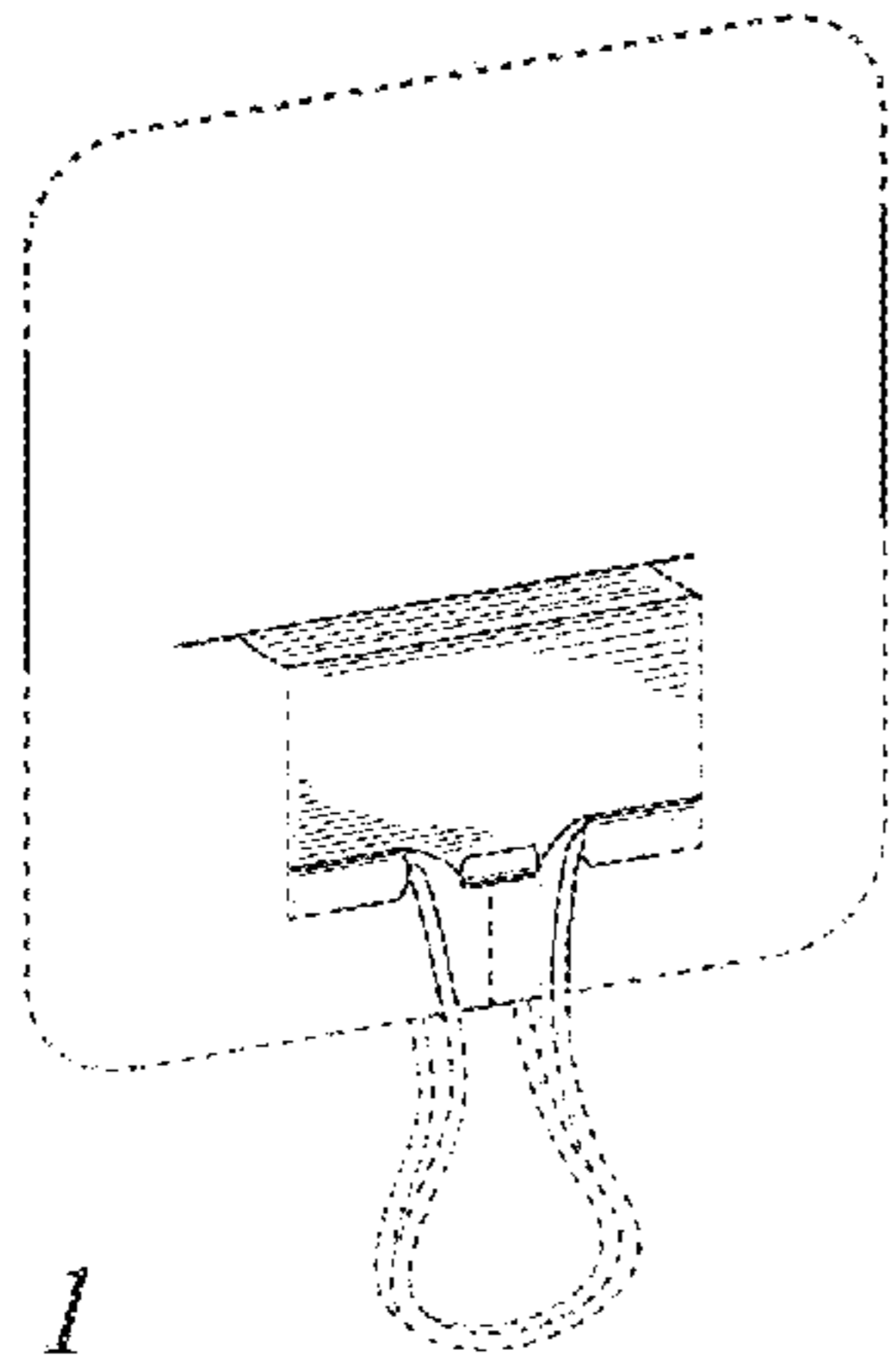


FIG. 1

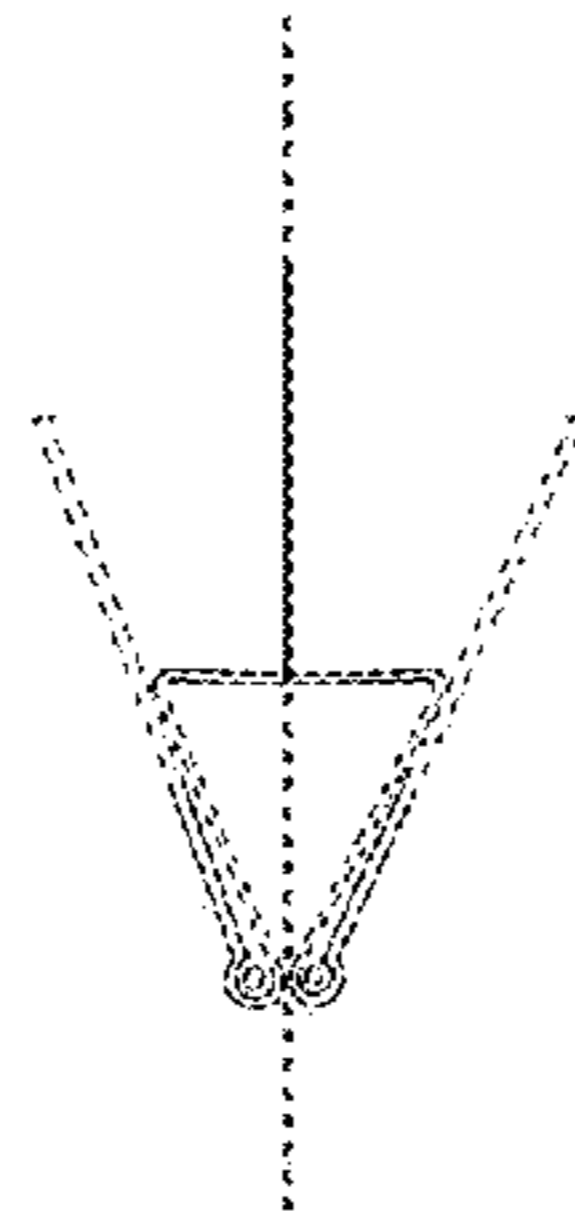


FIG. 2

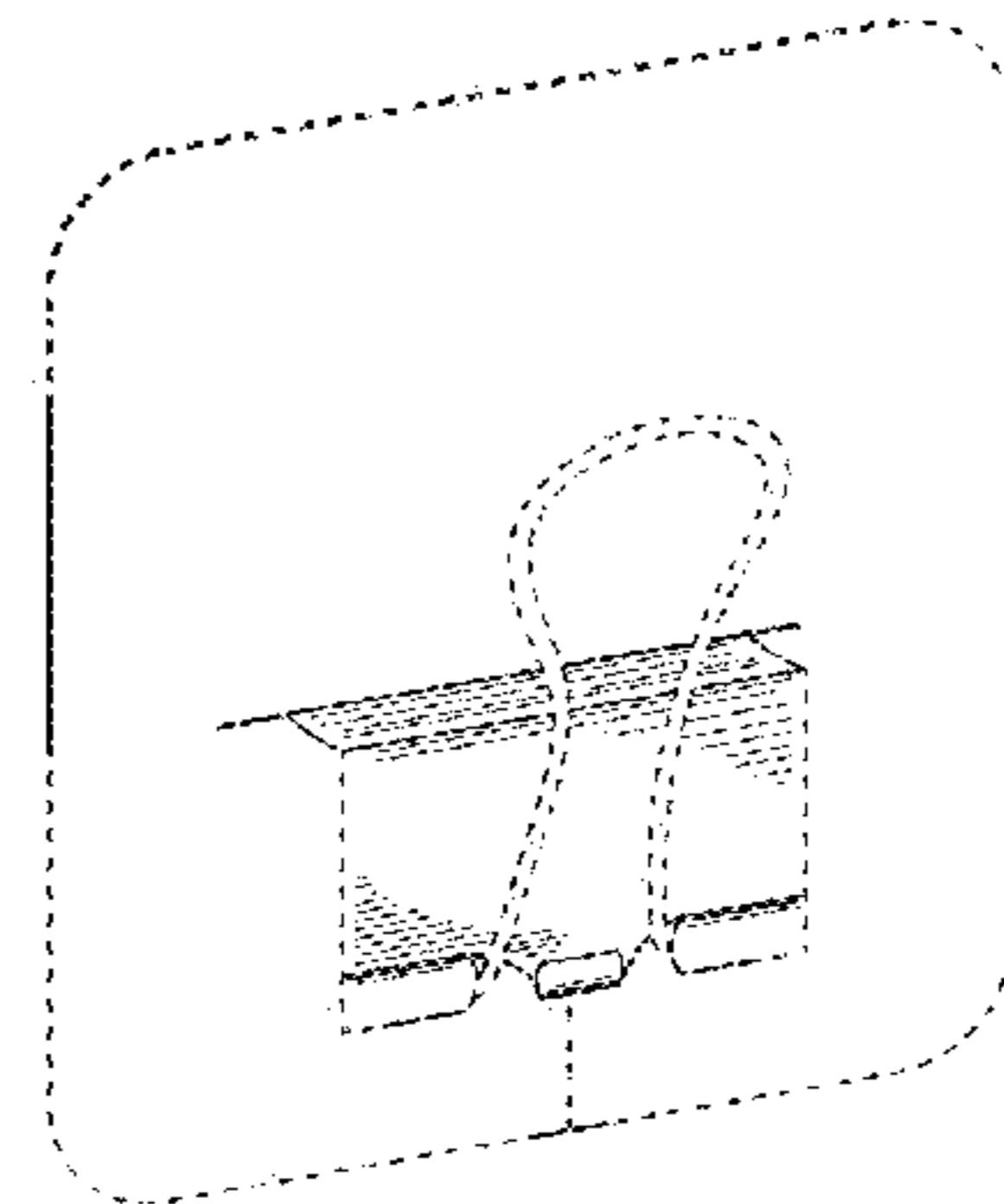


FIG. 3

FIG. 7

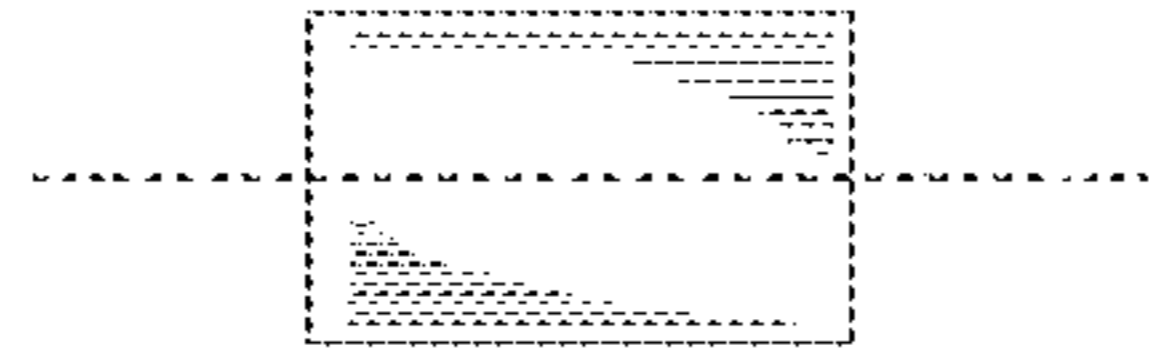


FIG. 8

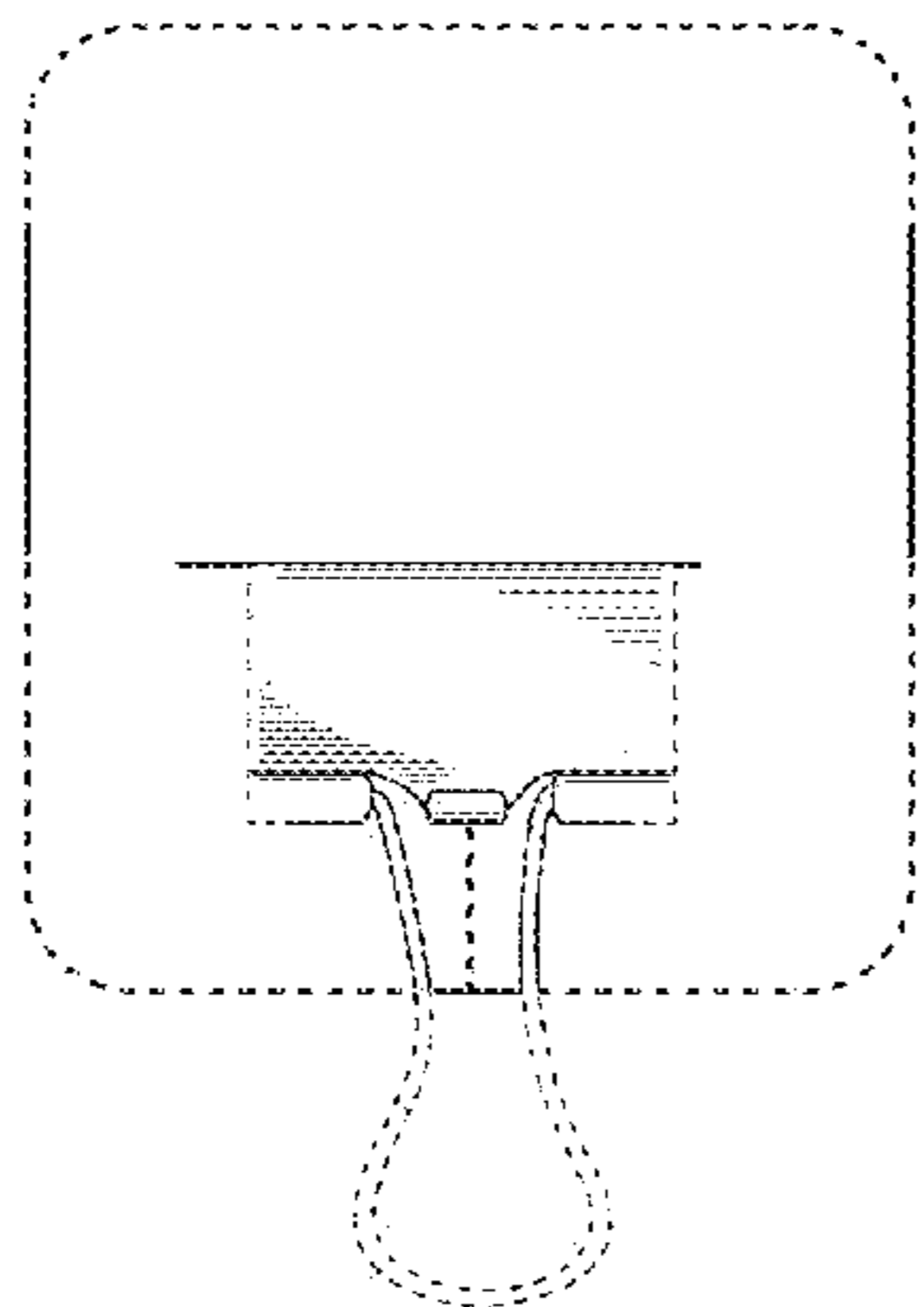


FIG. 4



FIG. 5

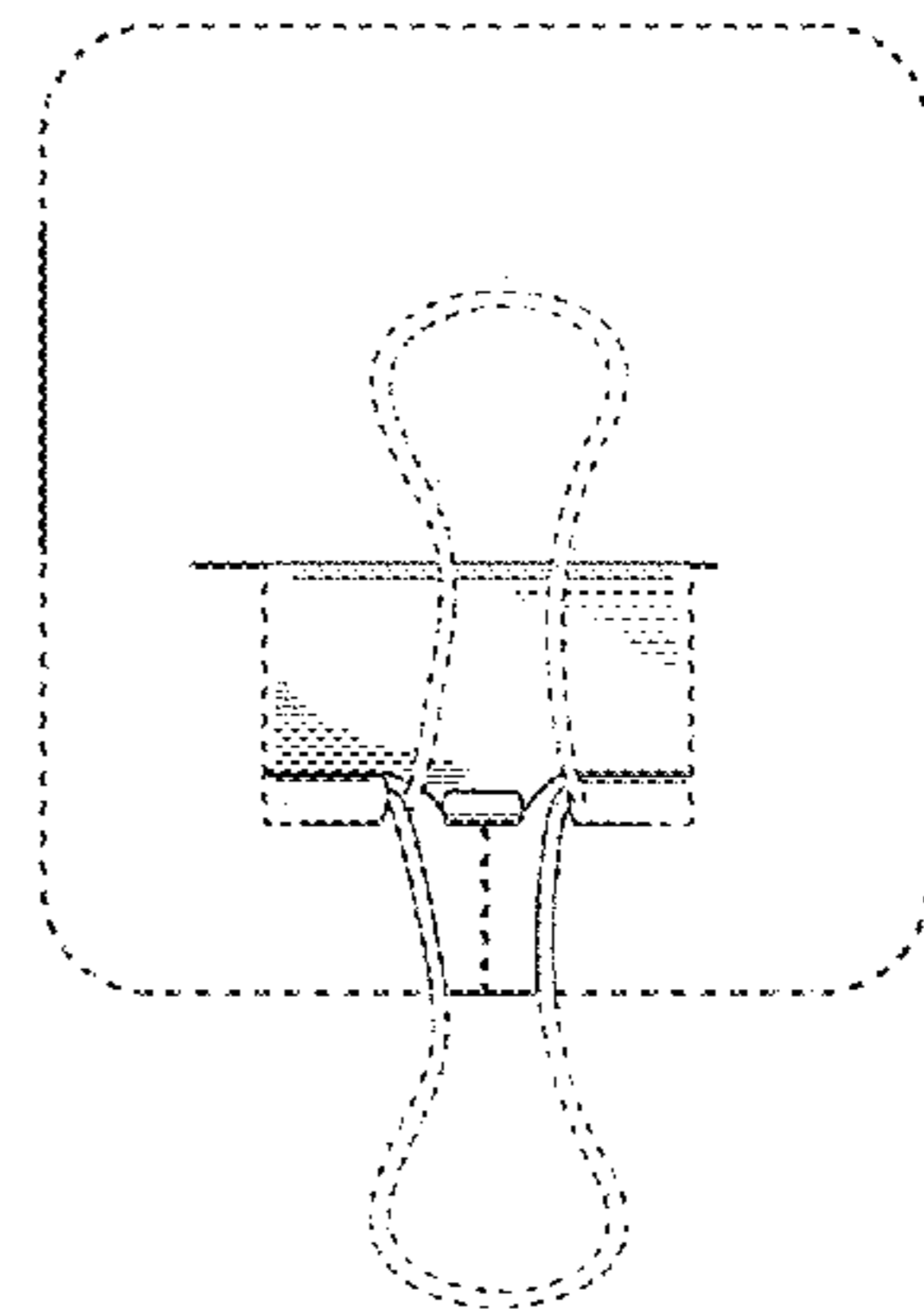


FIG. 6

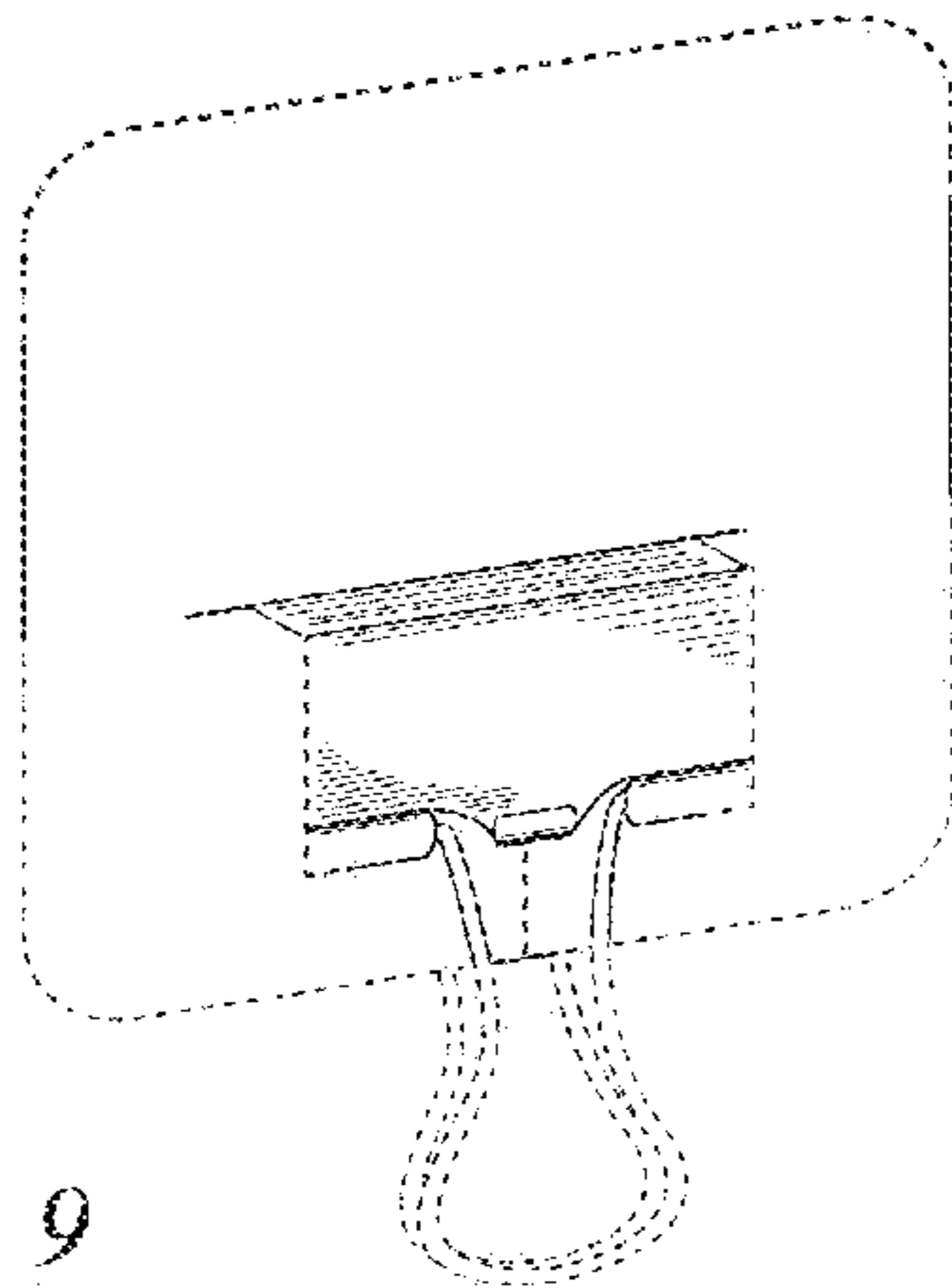


FIG. 9

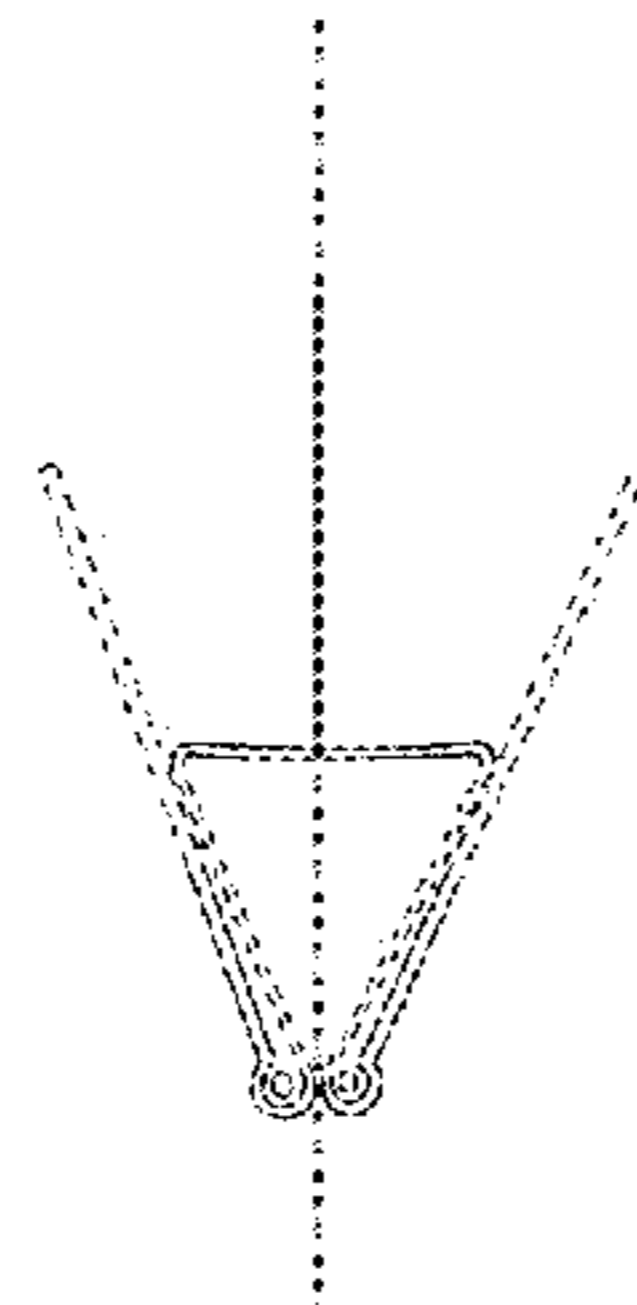


FIG. 10

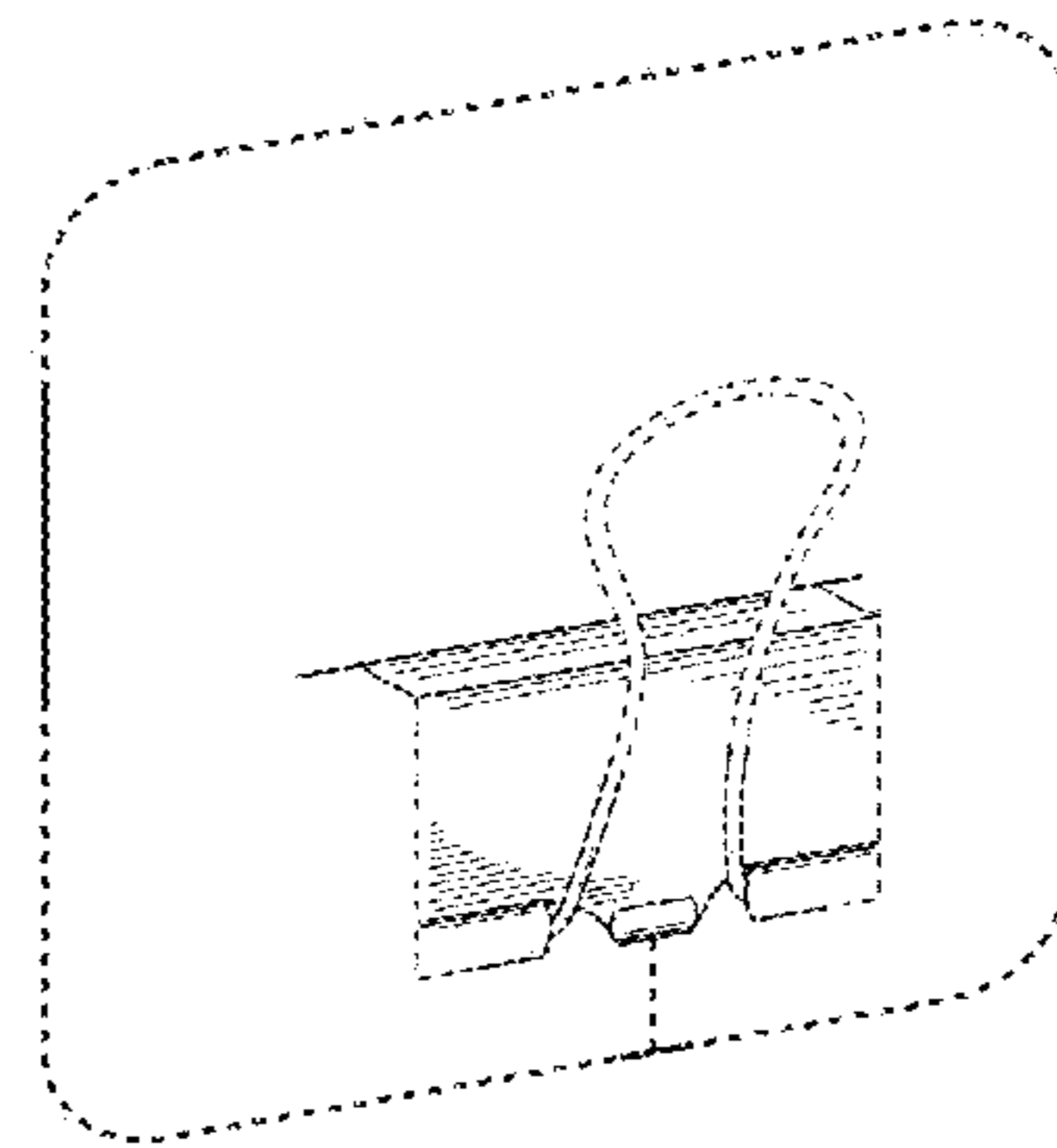


FIG. 11

FIG. 15

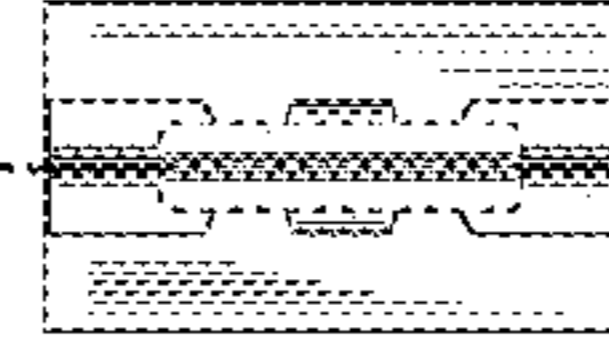
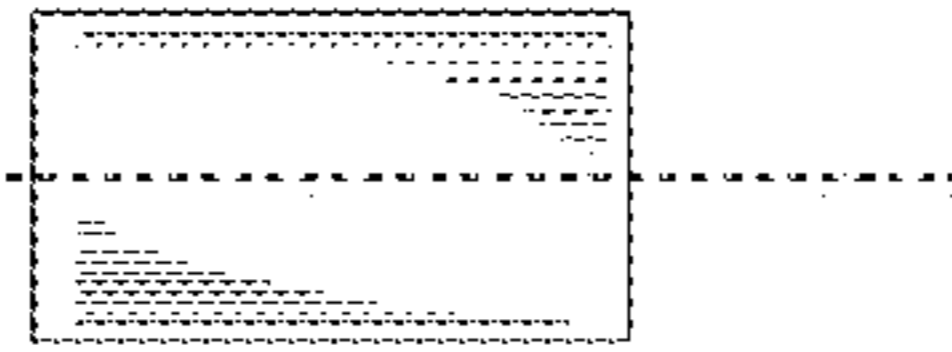


FIG. 16

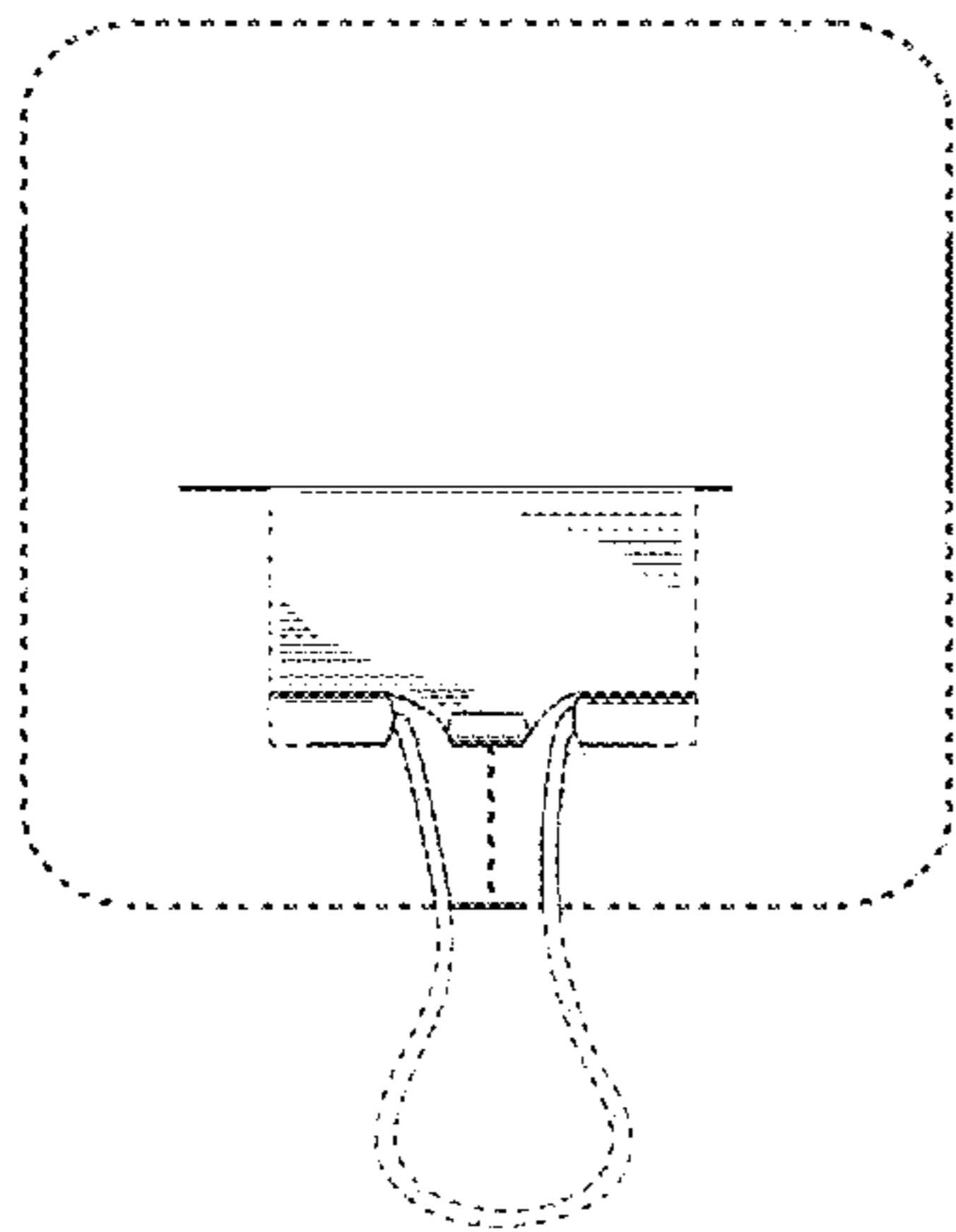


FIG. 12

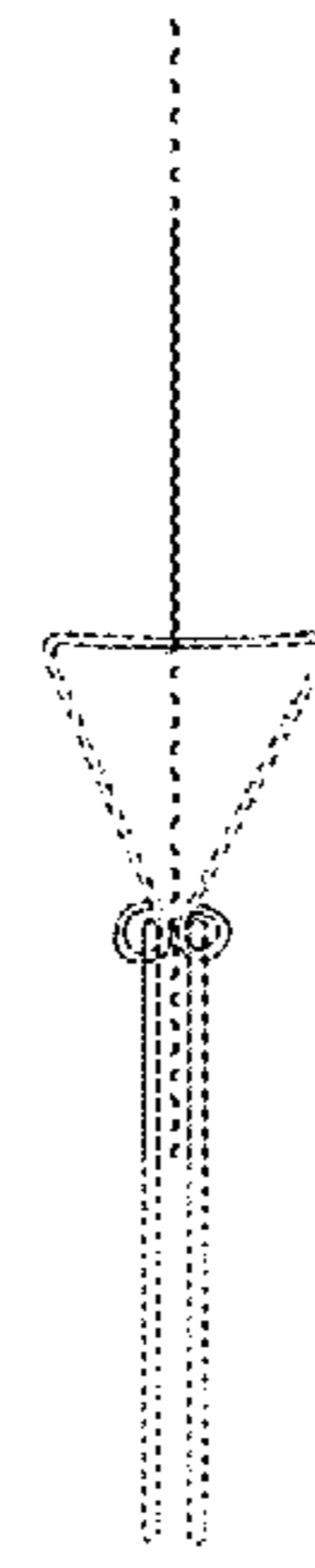


FIG. 13

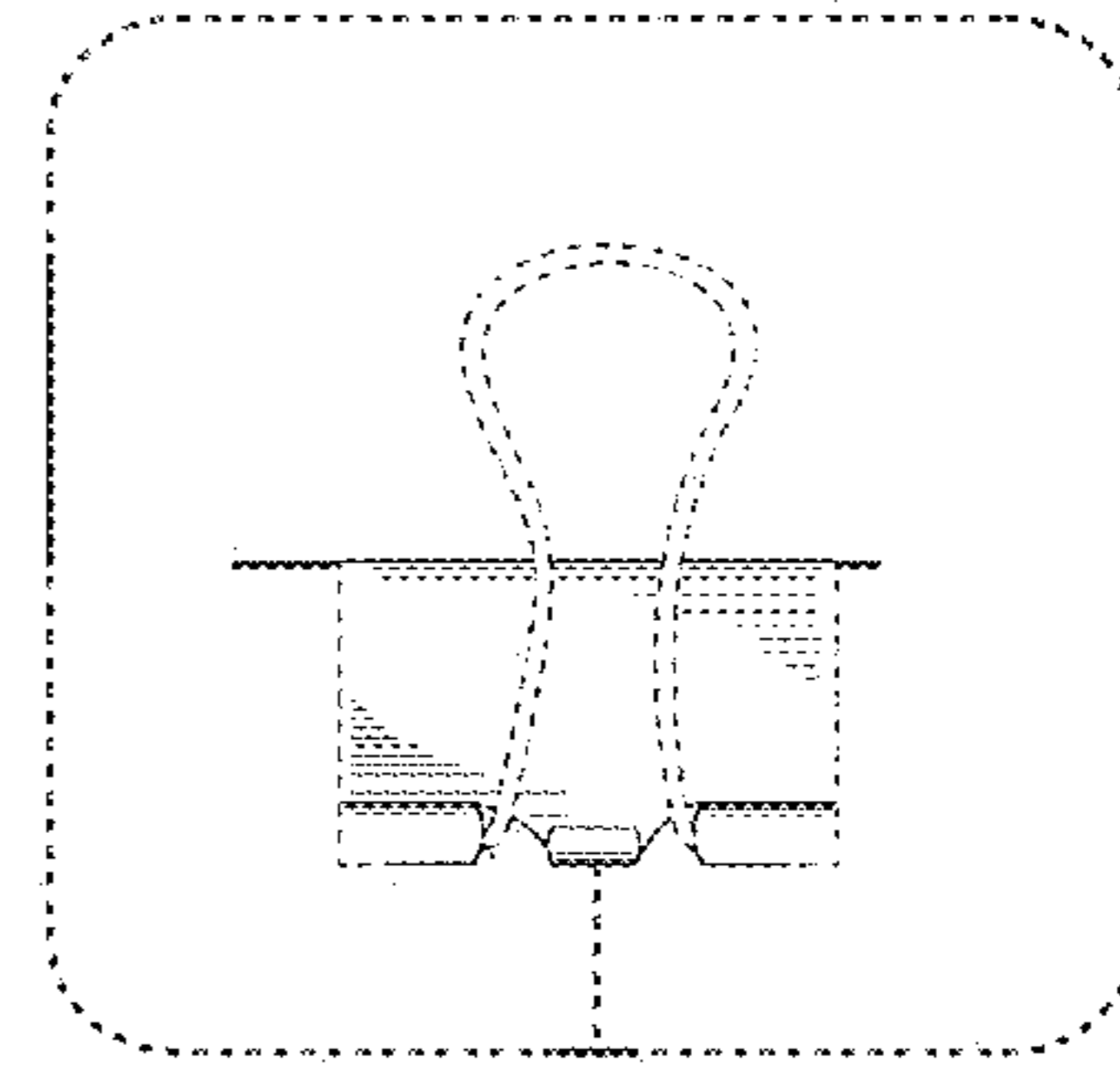


FIG. 14

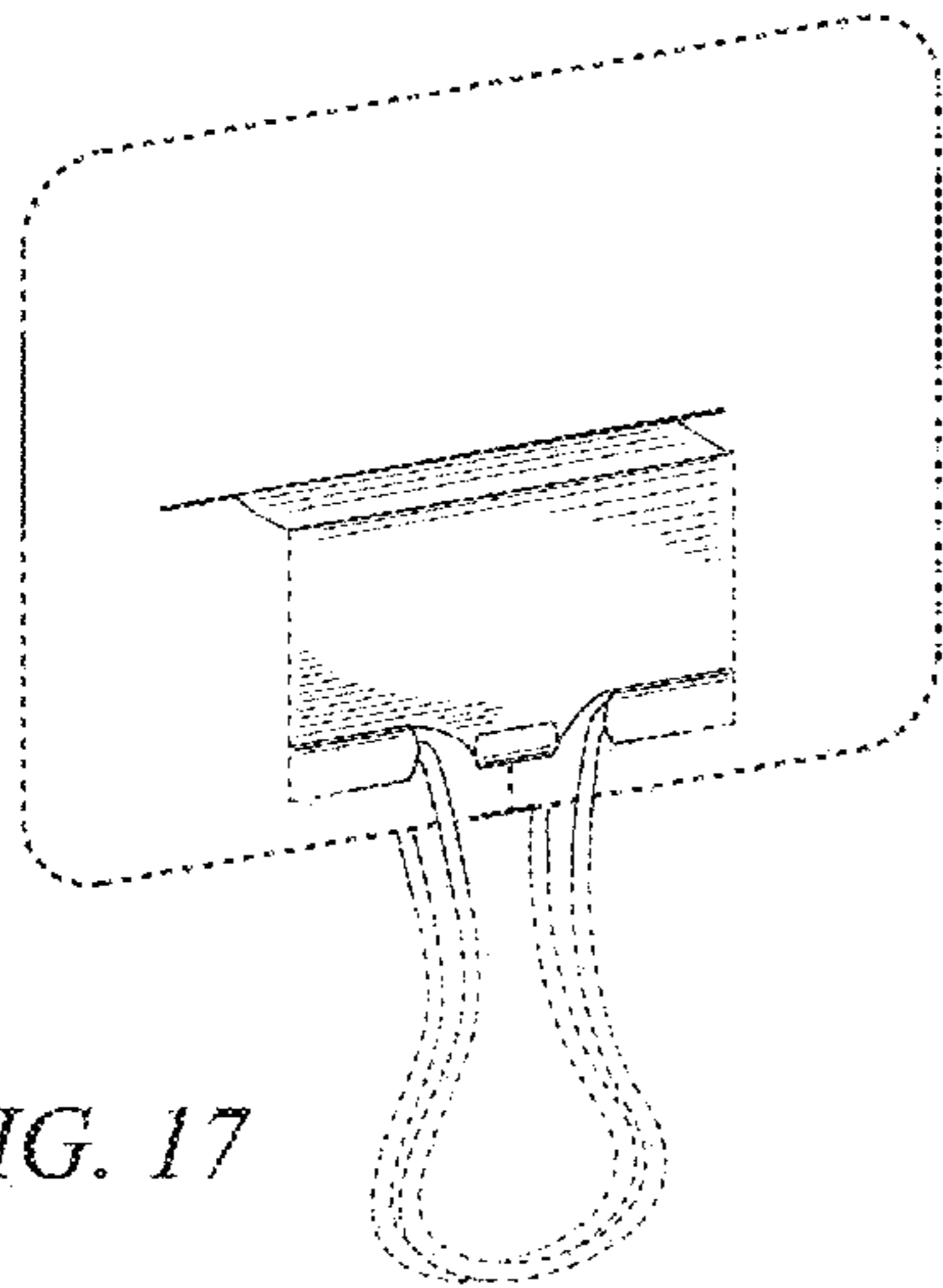


FIG. 17

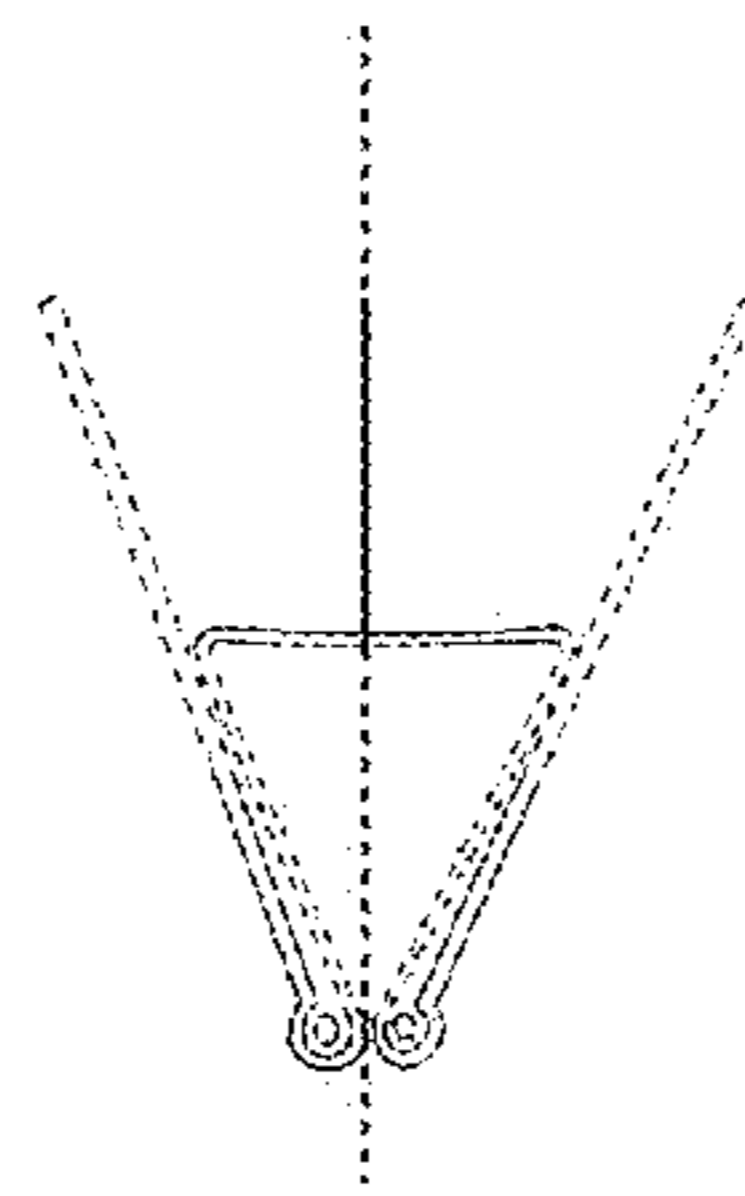


FIG. 18

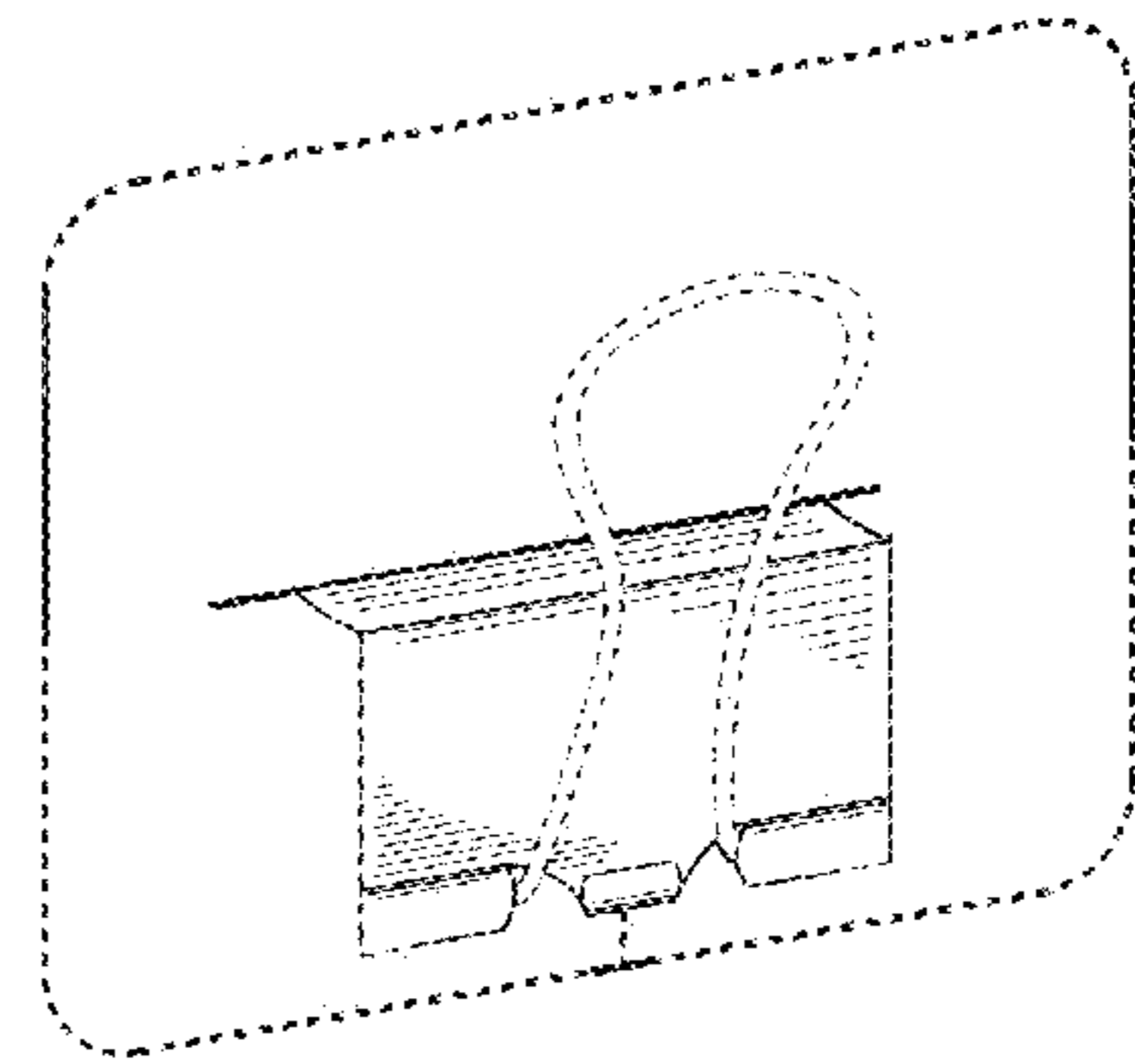


FIG. 19

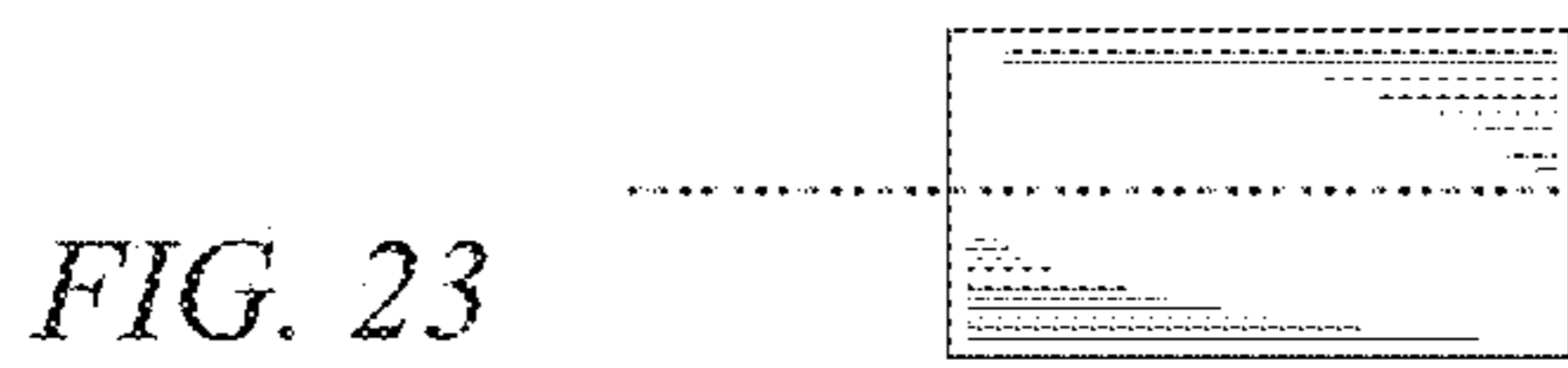


FIG. 23

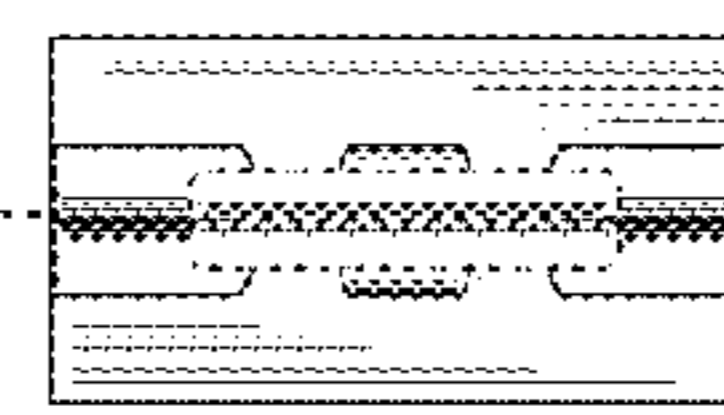


FIG. 24

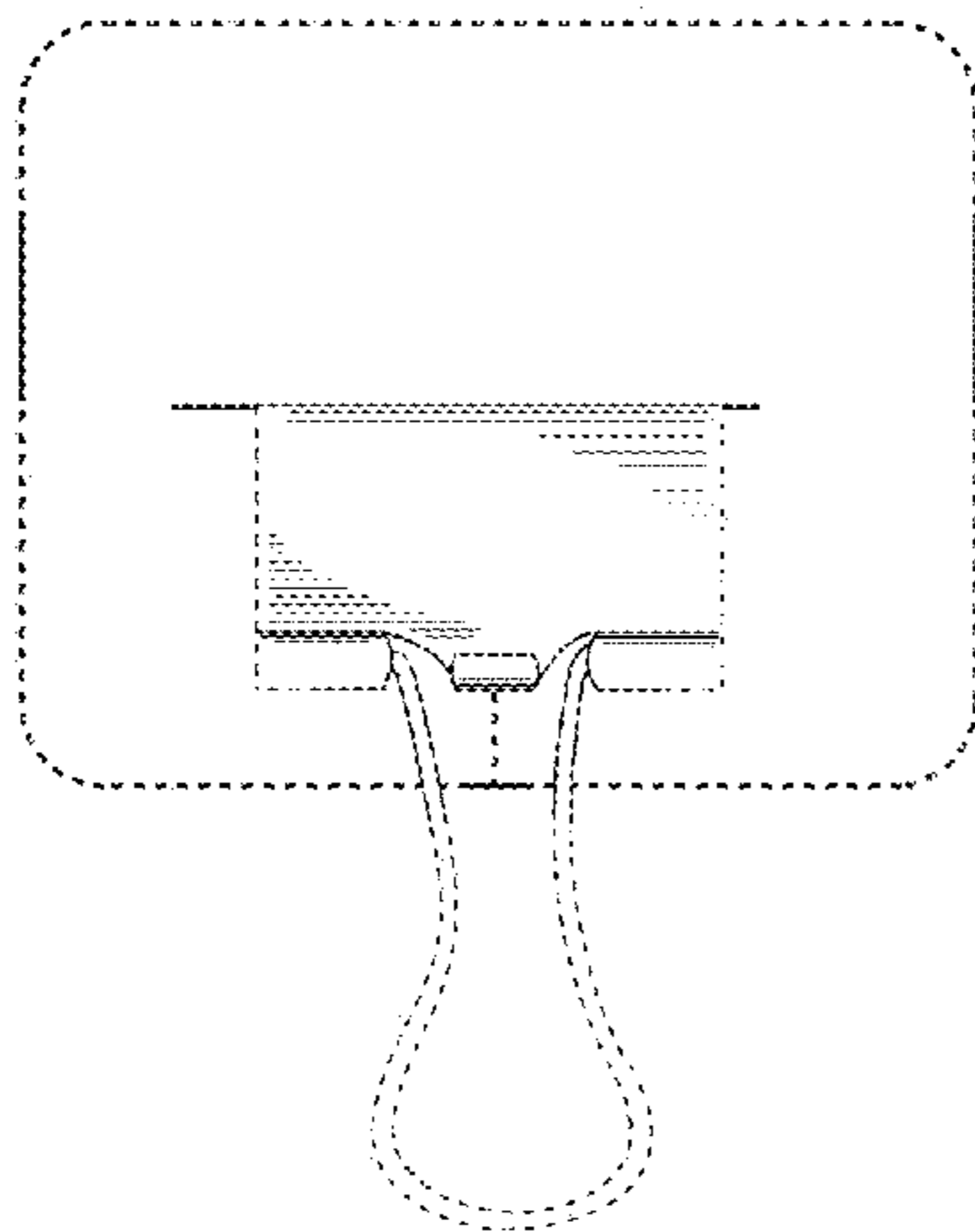


FIG. 20

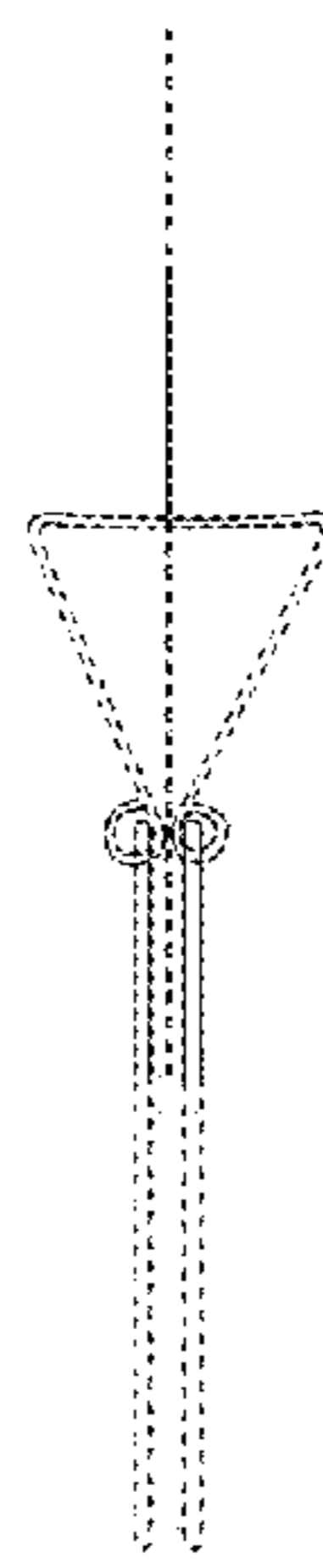


FIG. 21

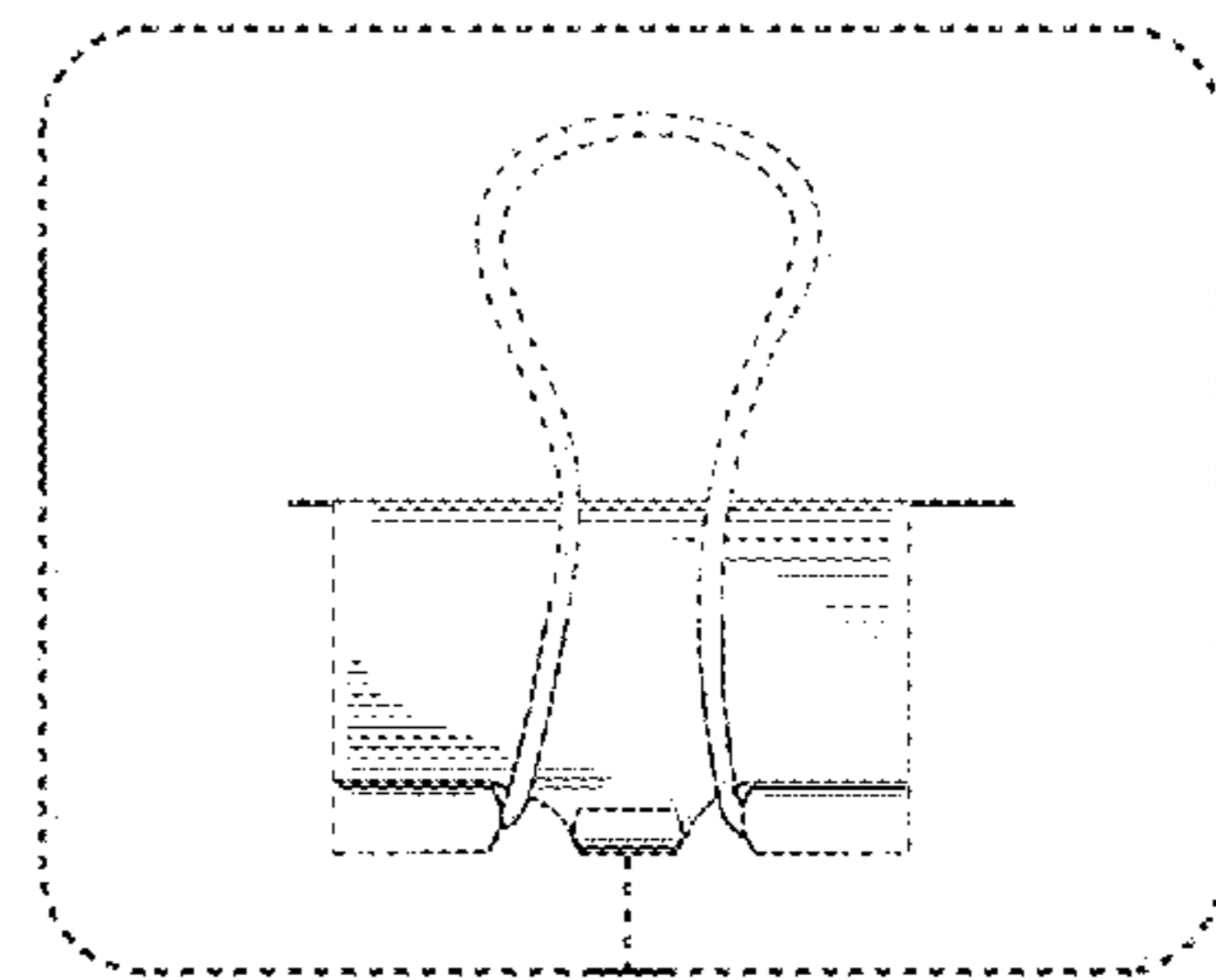


FIG. 22

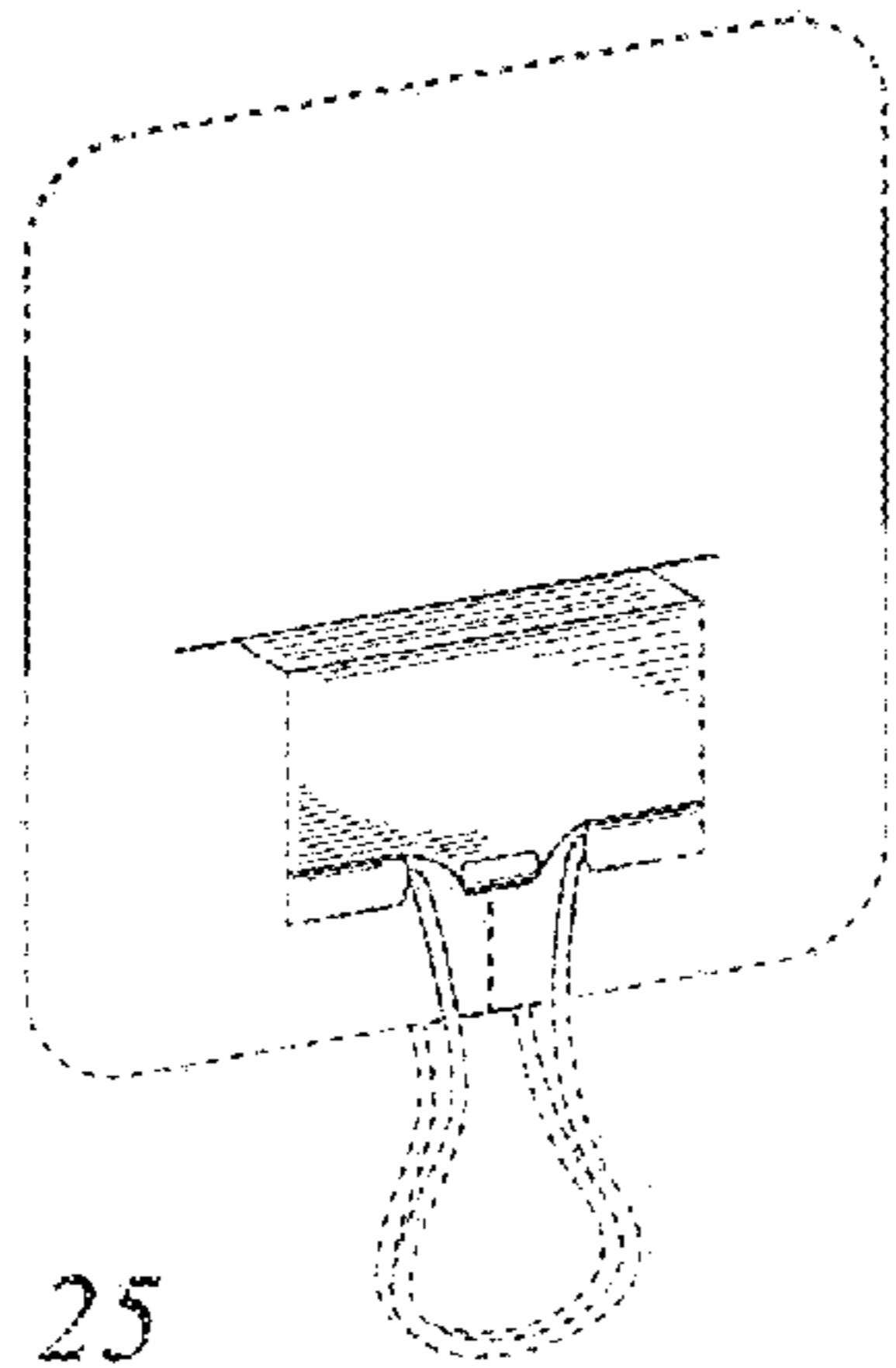


FIG. 25

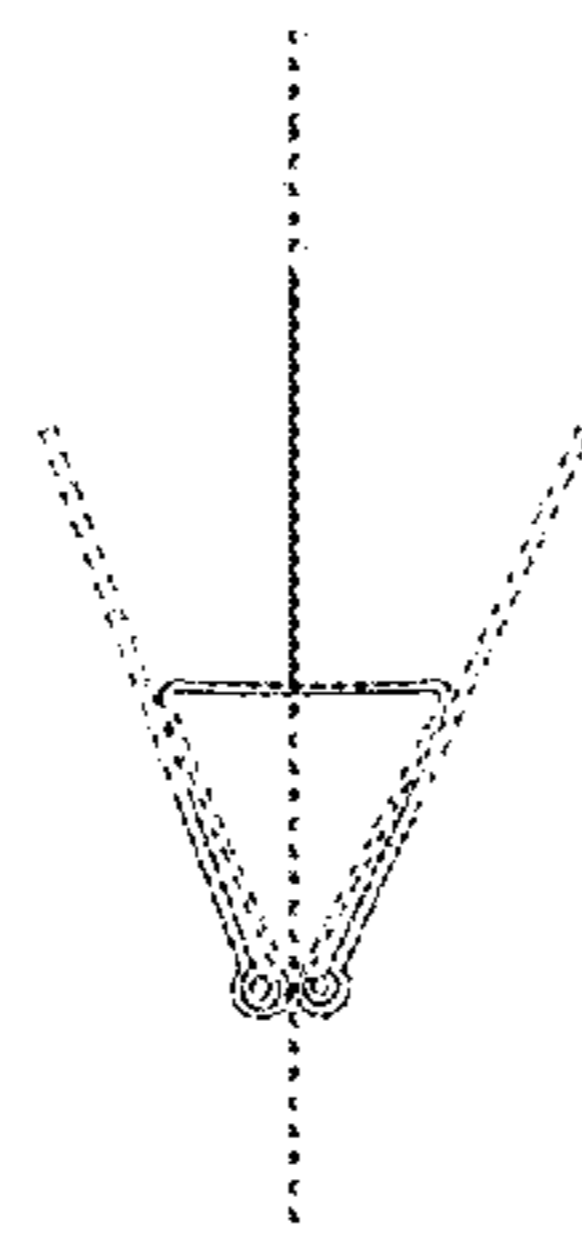


FIG. 26

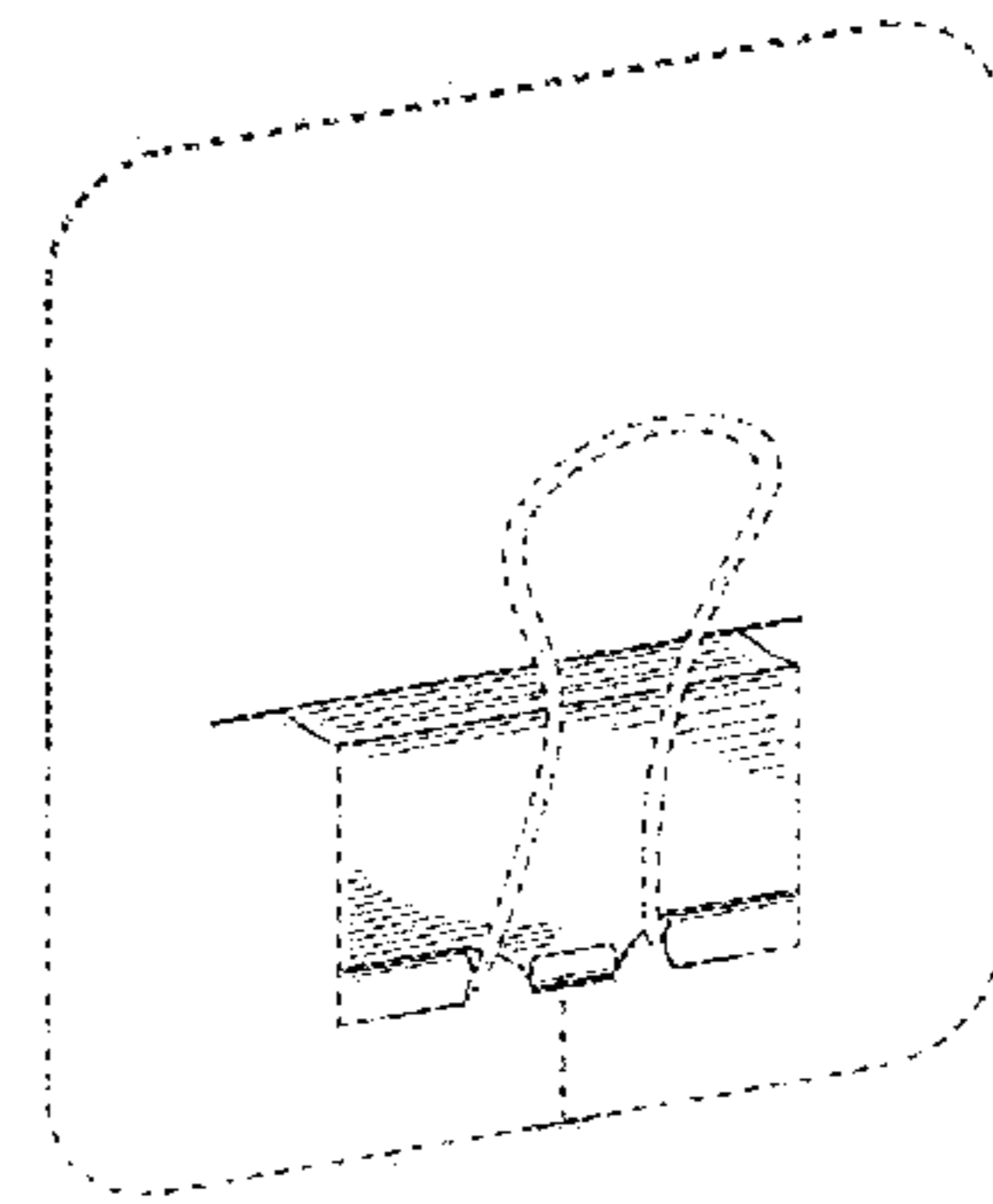


FIG. 27

FIG. 31

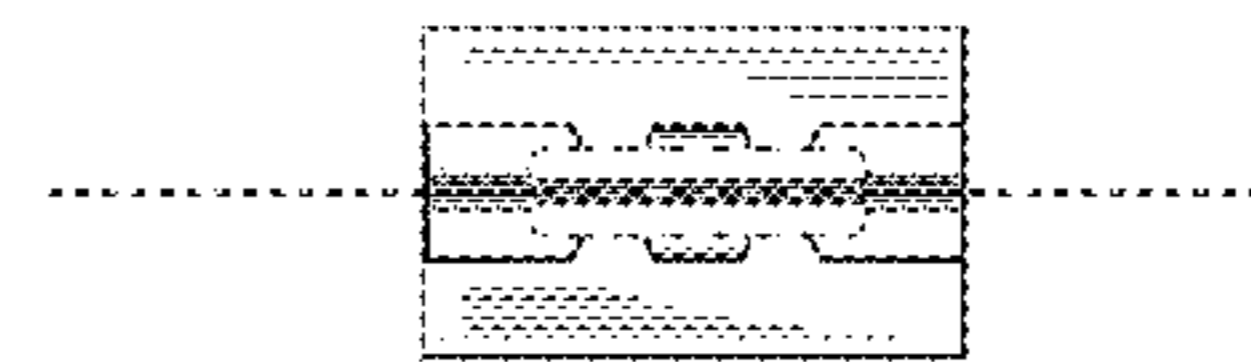
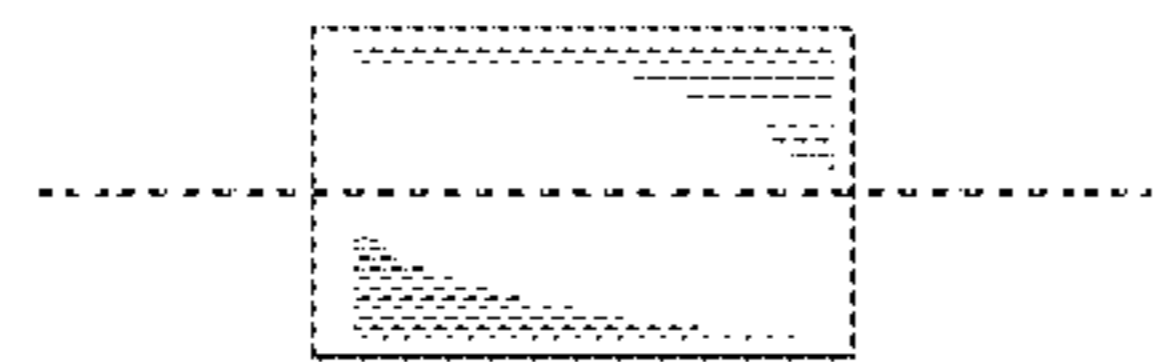


FIG. 32

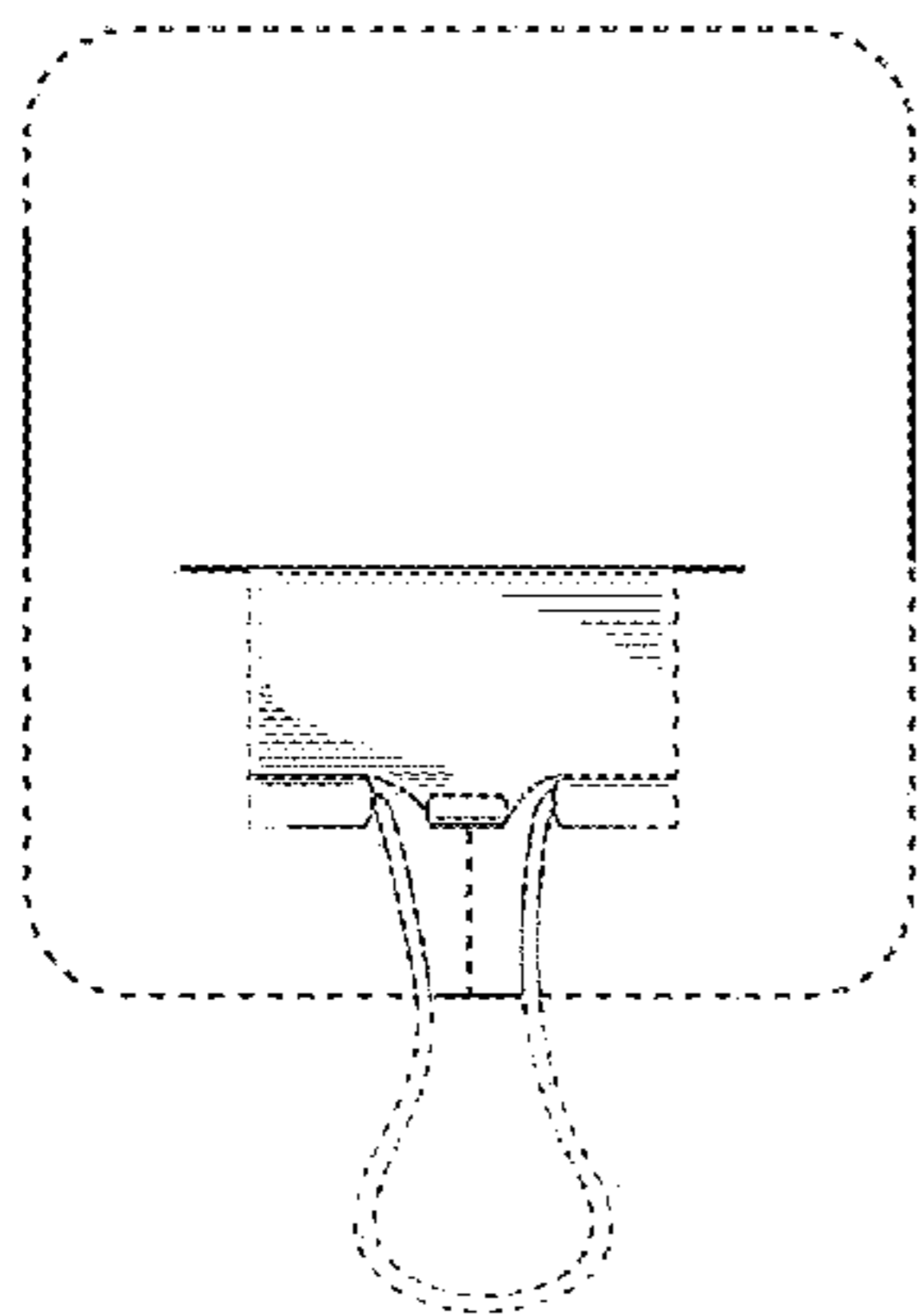


FIG. 28



FIG. 29

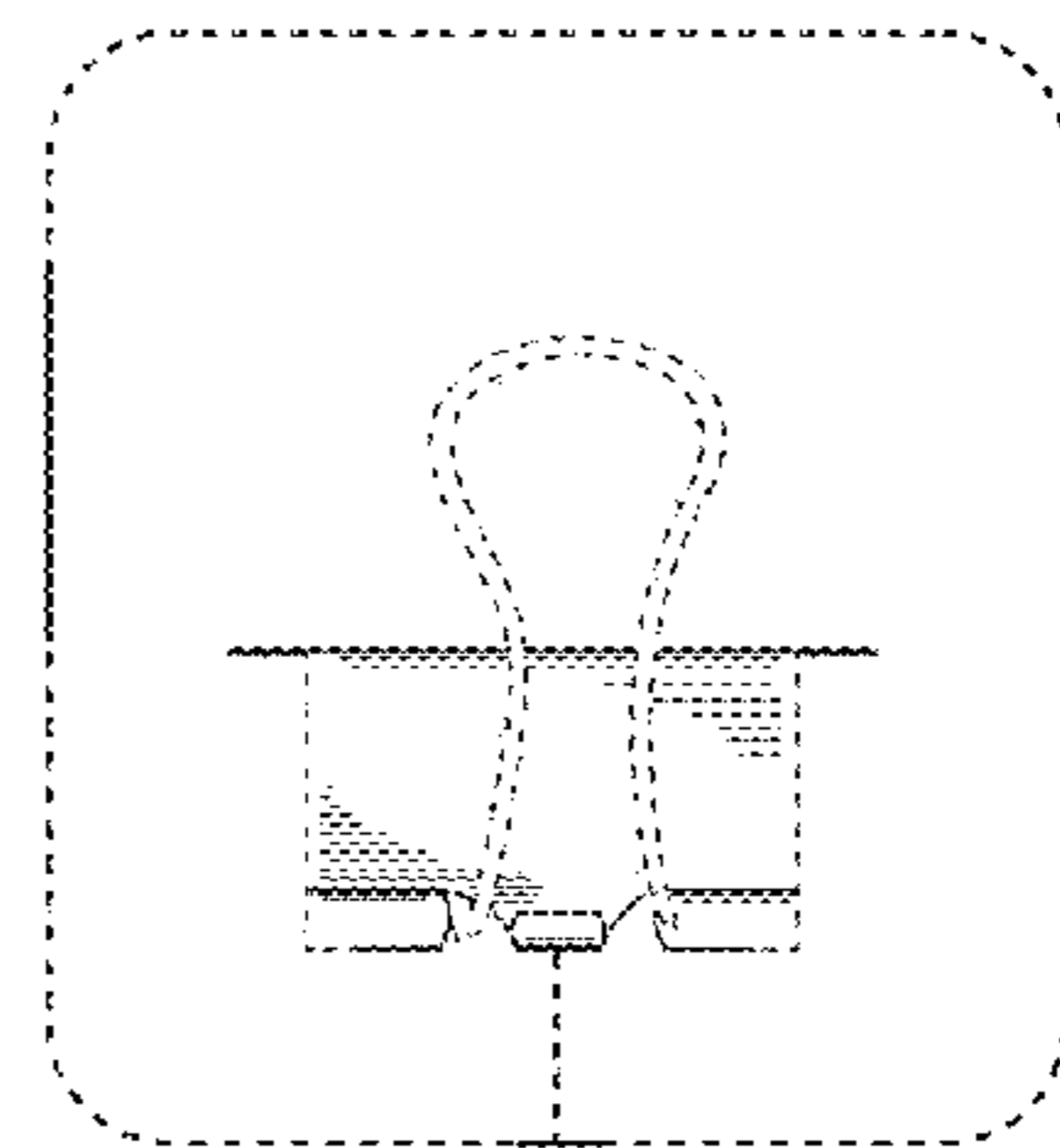


FIG. 30

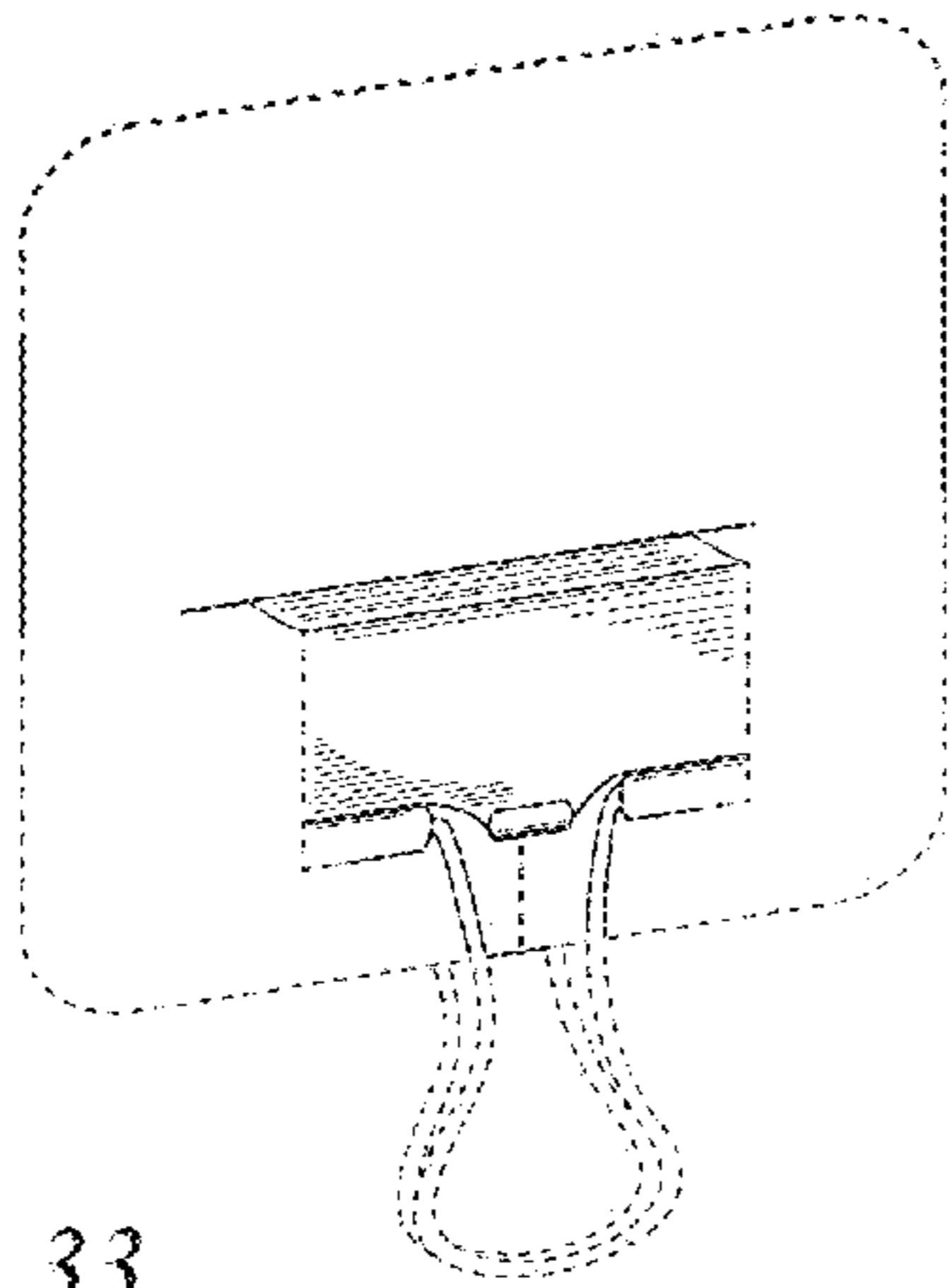


FIG. 33

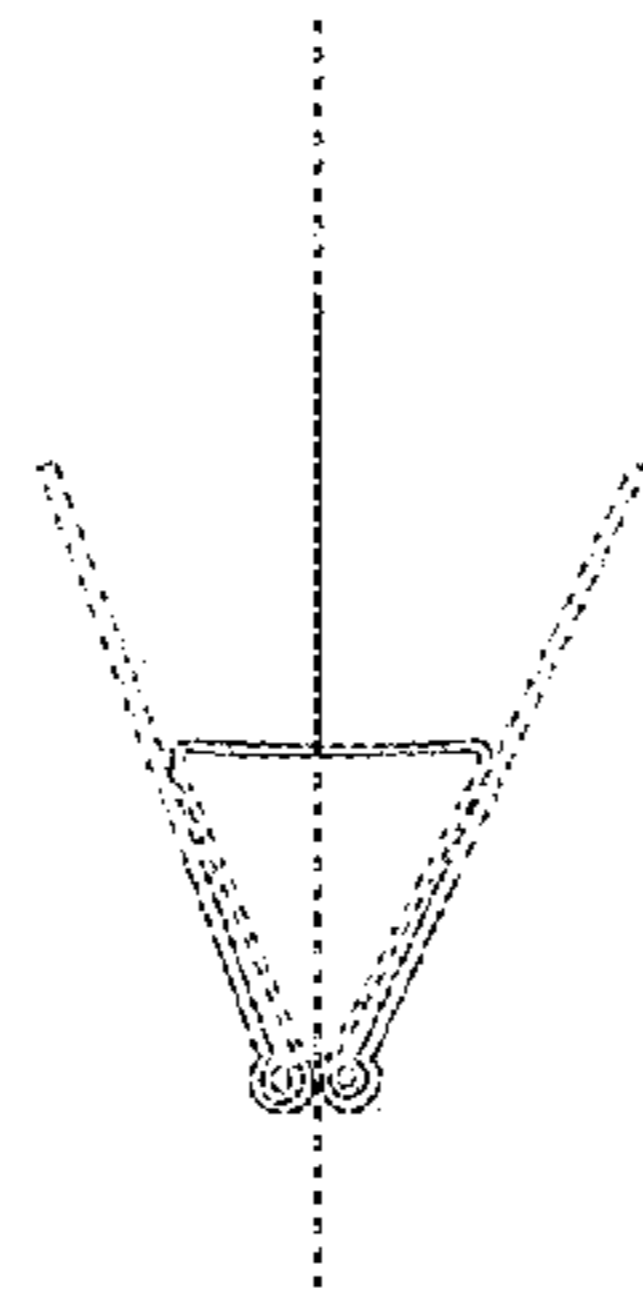


FIG. 34

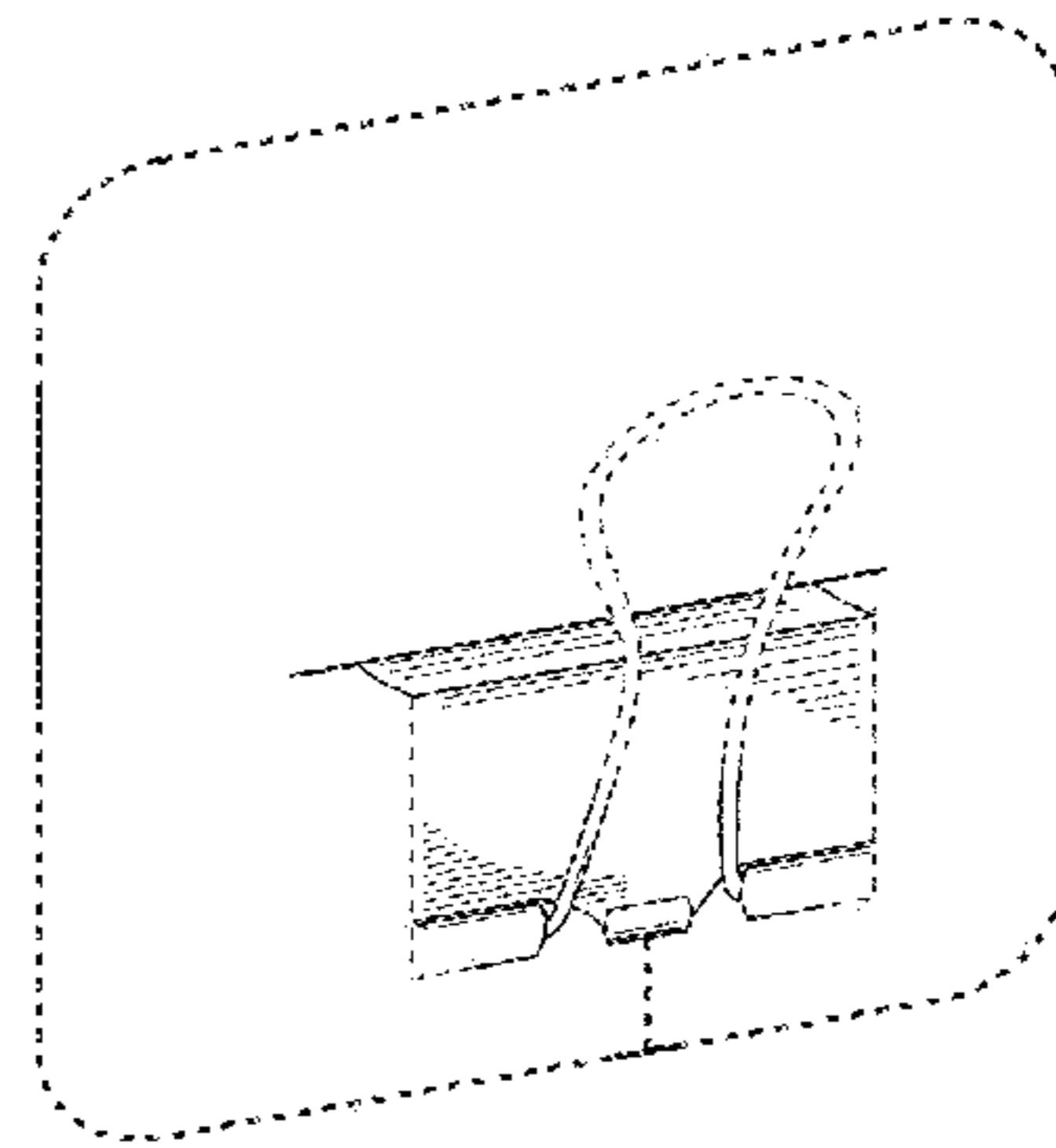


FIG. 35

FIG. 39

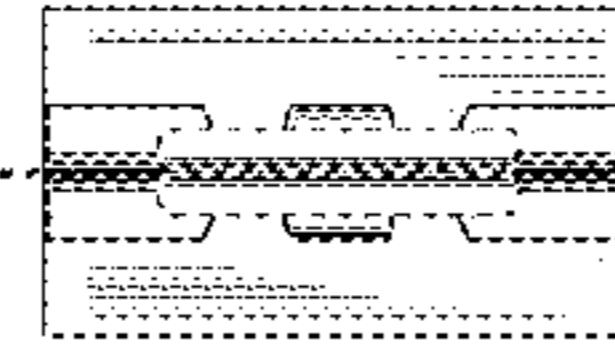


FIG. 40

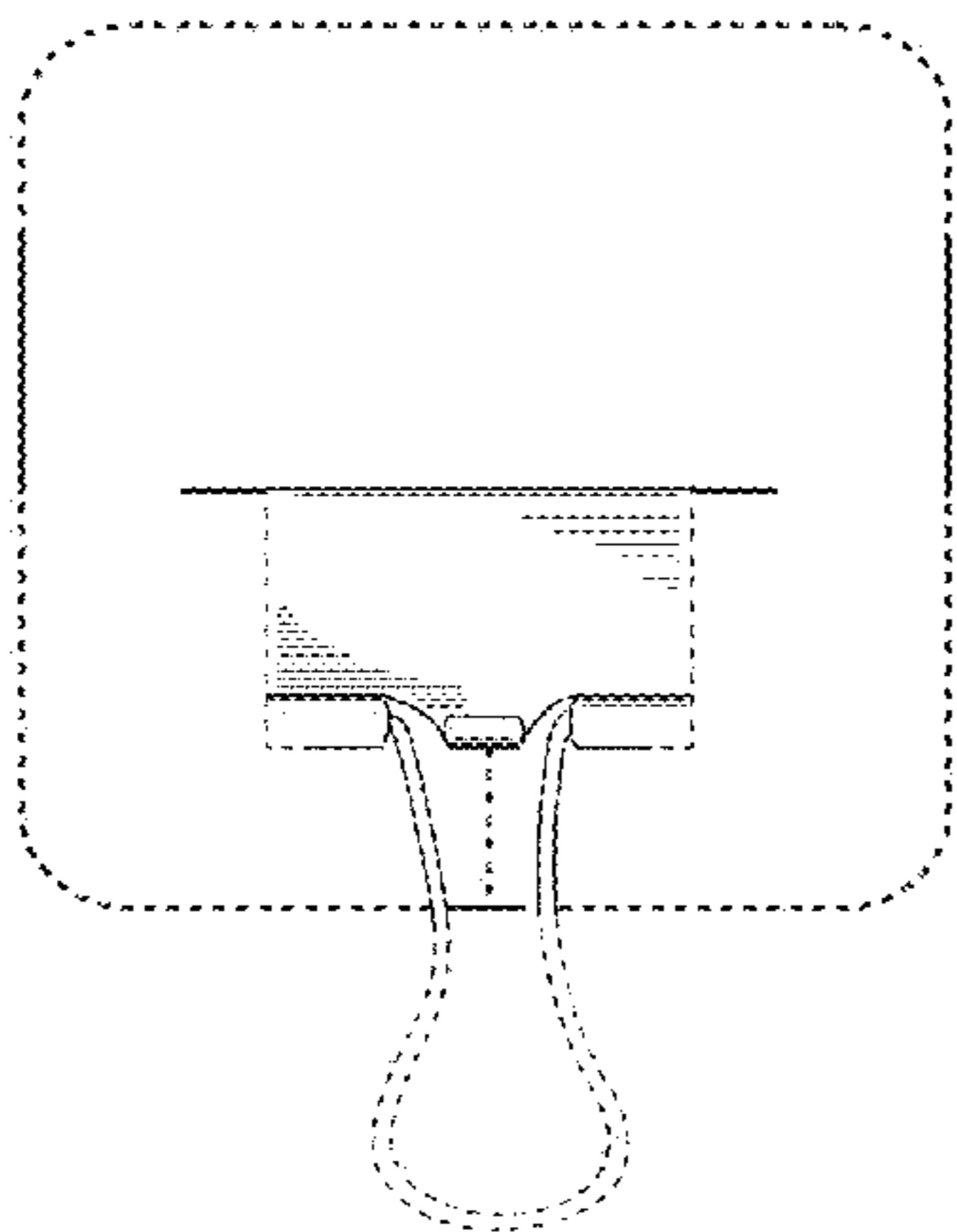


FIG. 36

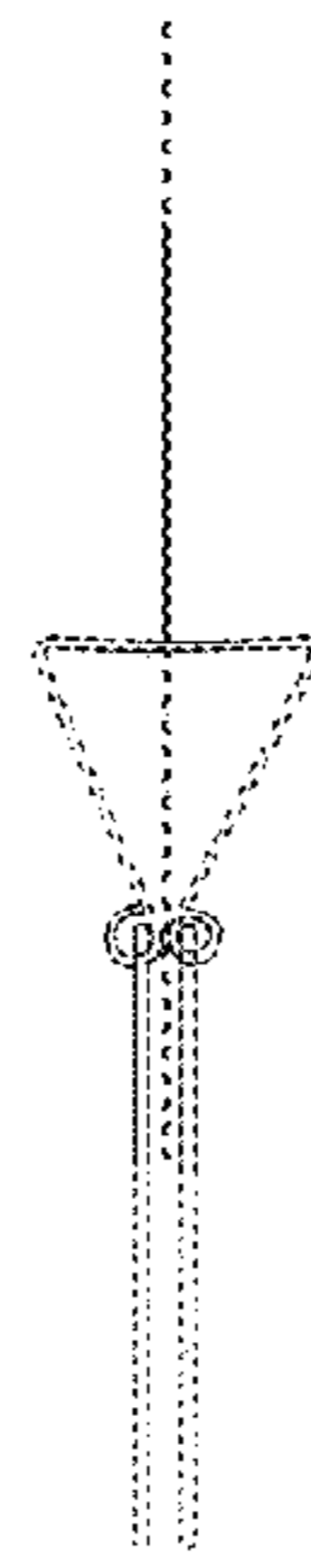


FIG. 37

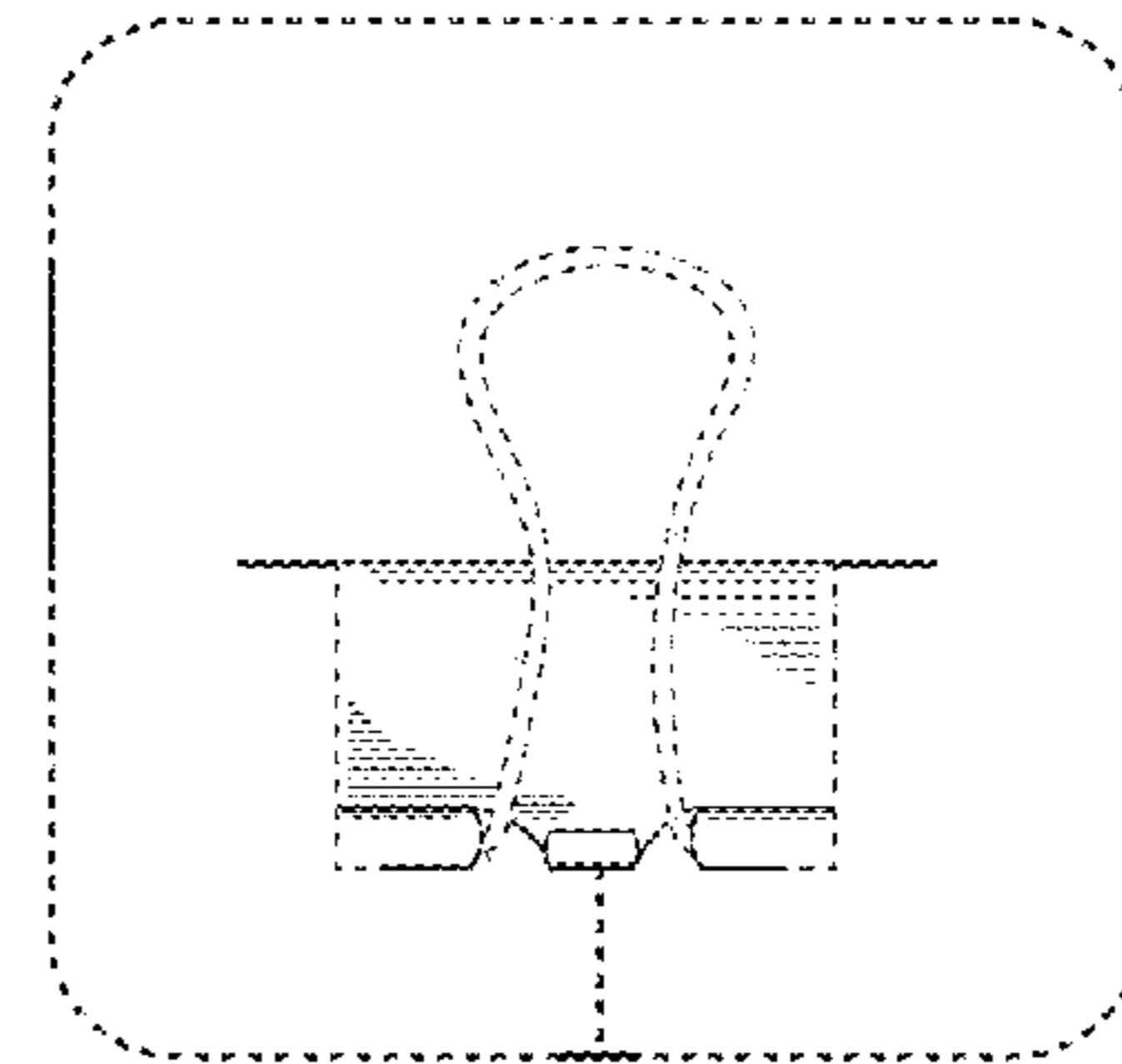


FIG. 38

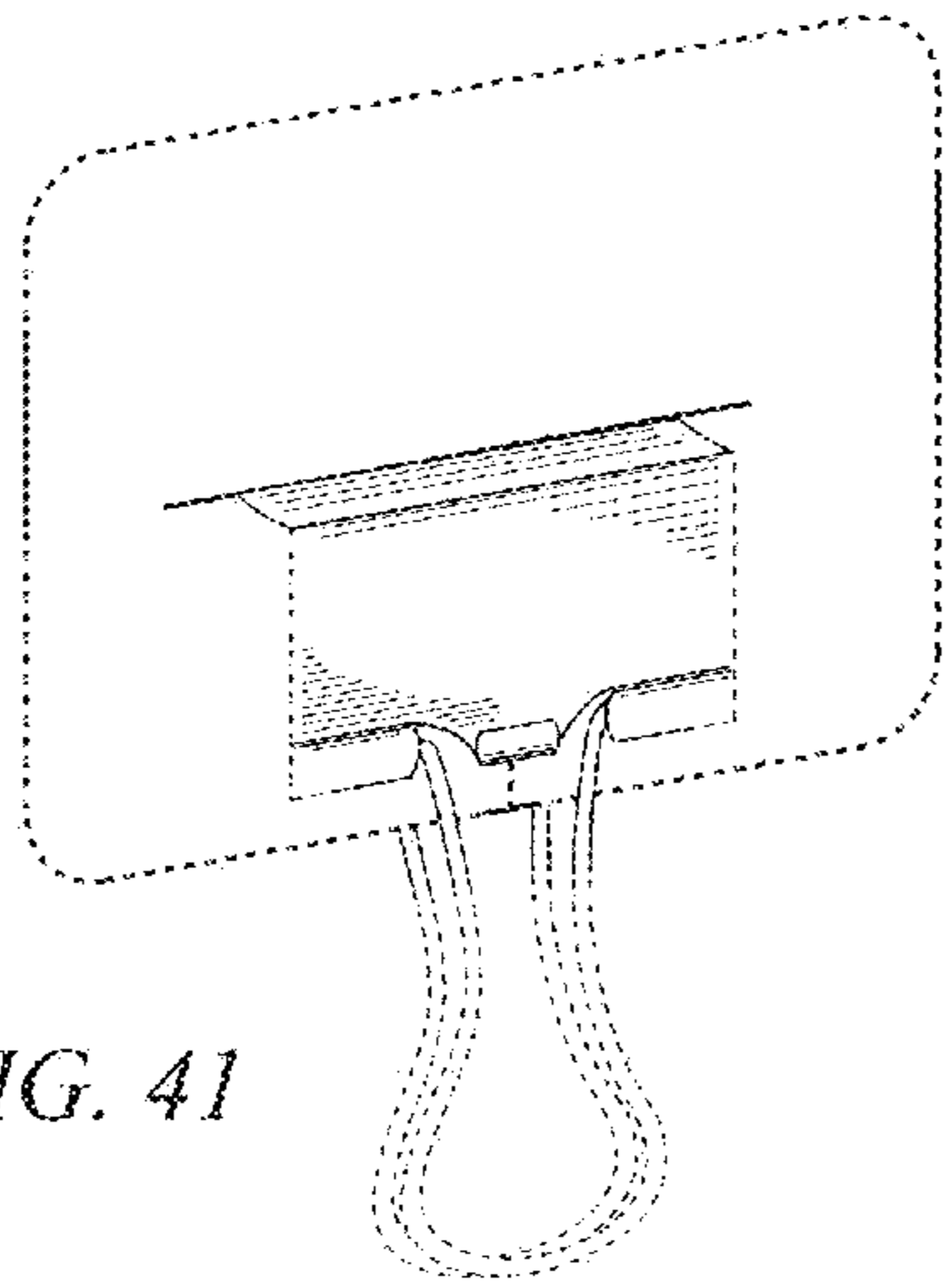


FIG. 41

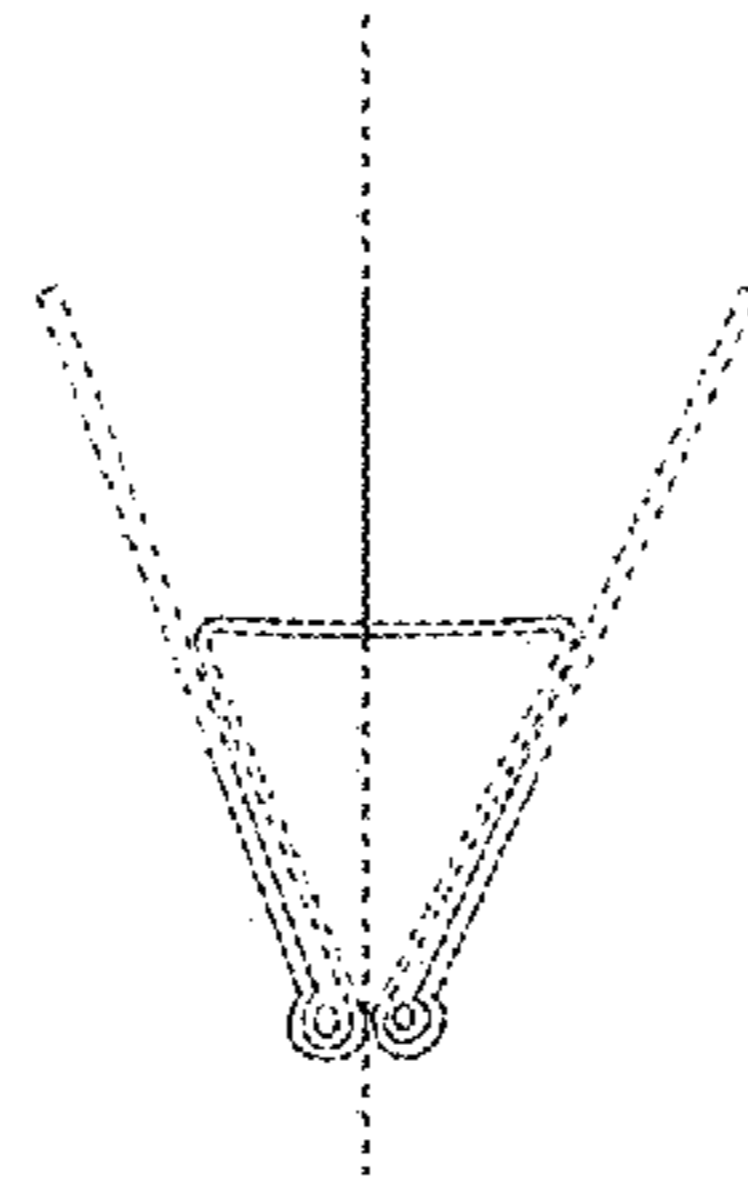


FIG. 42

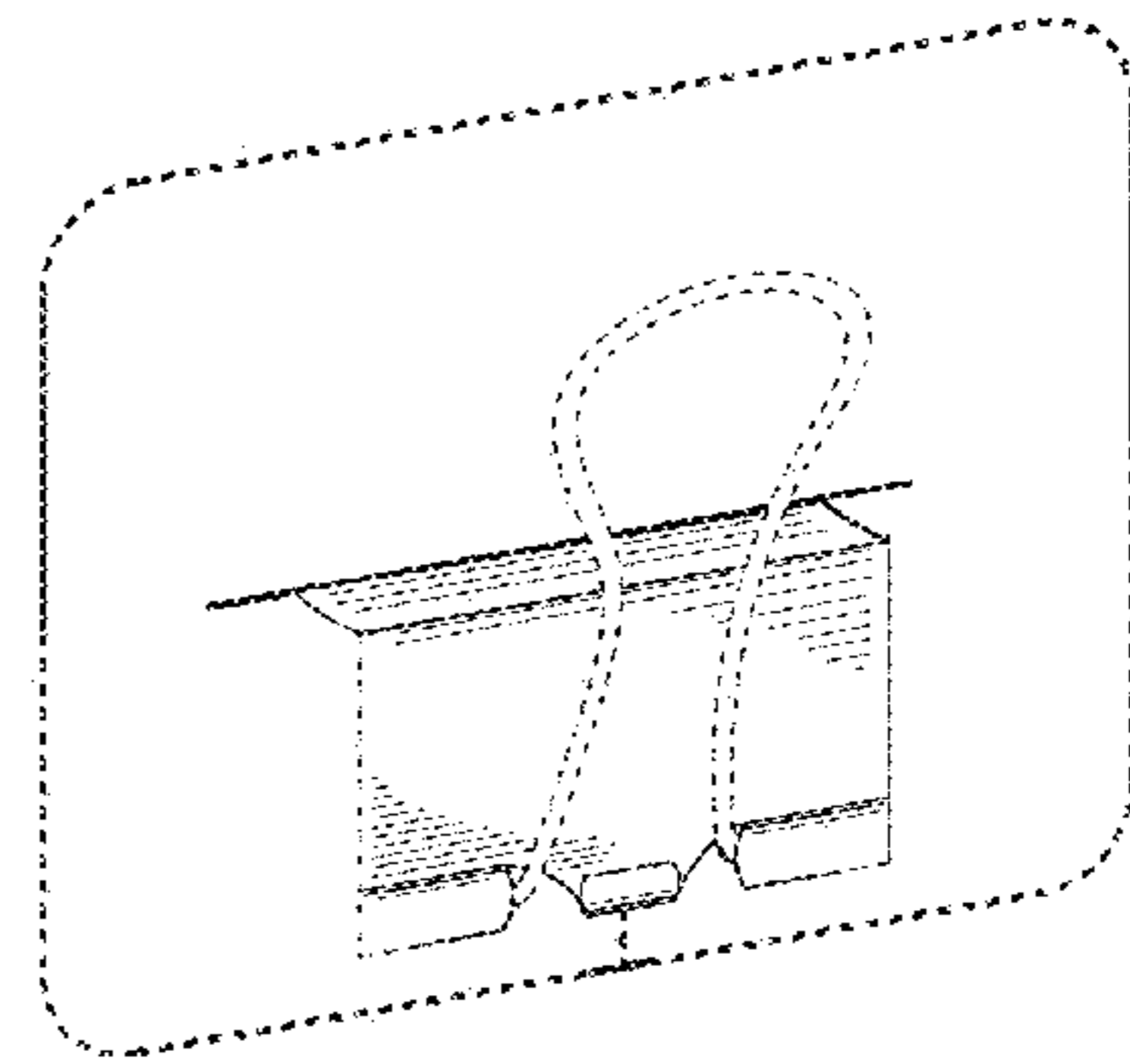


FIG. 43

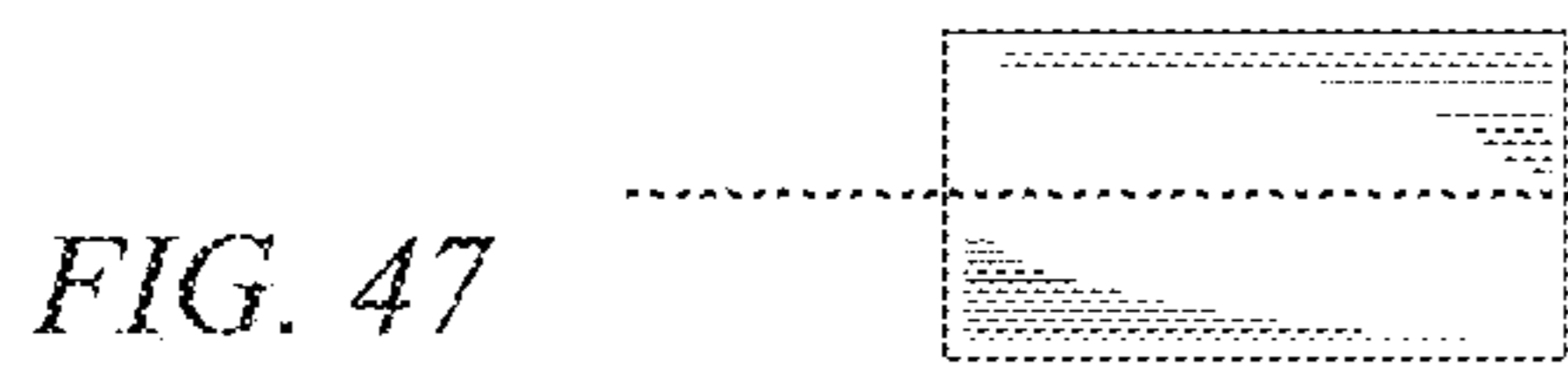


FIG. 47

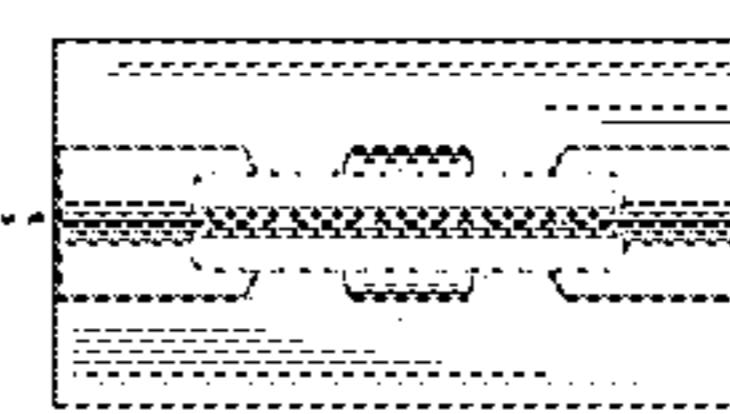


FIG. 48

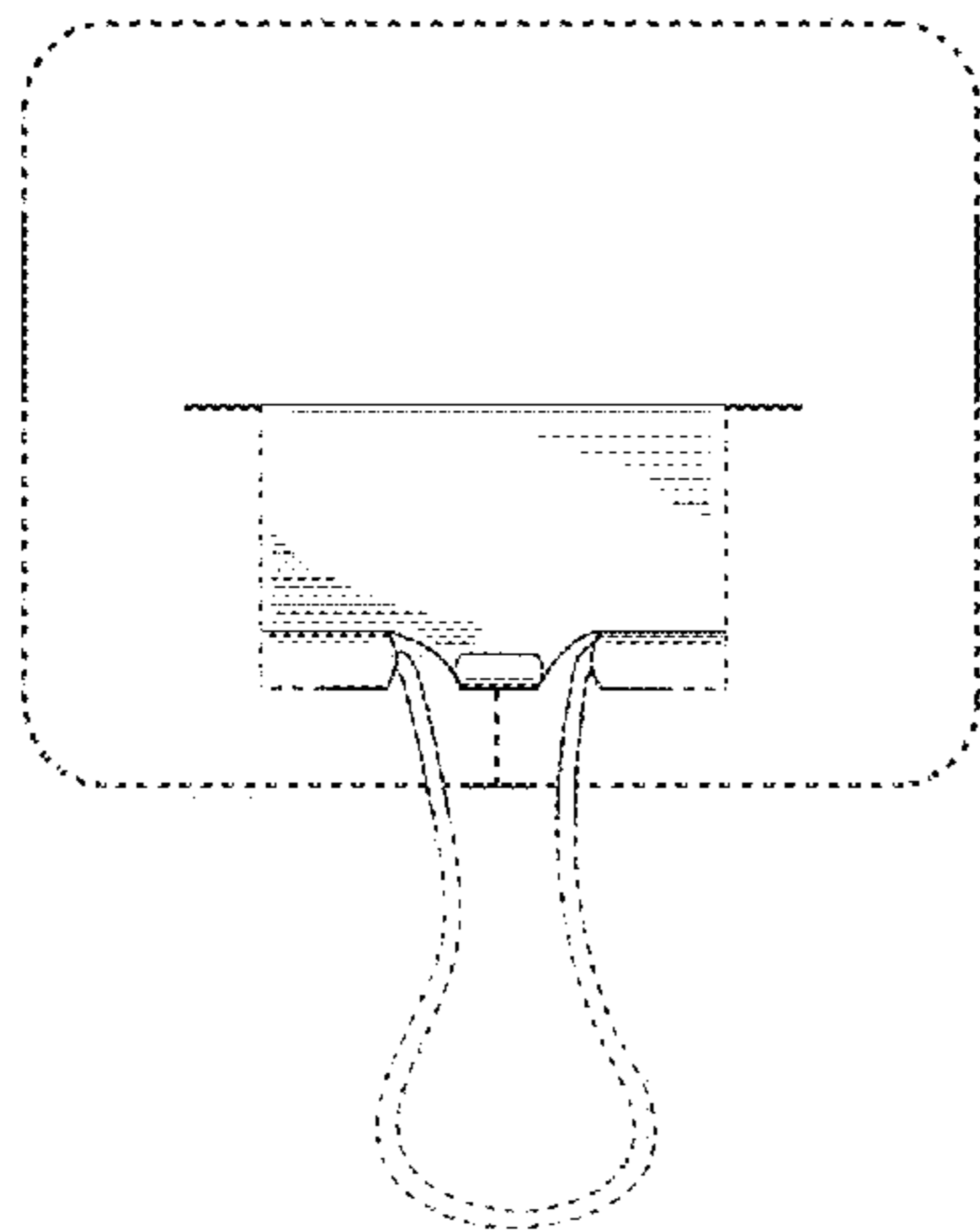


FIG. 44



FIG. 45

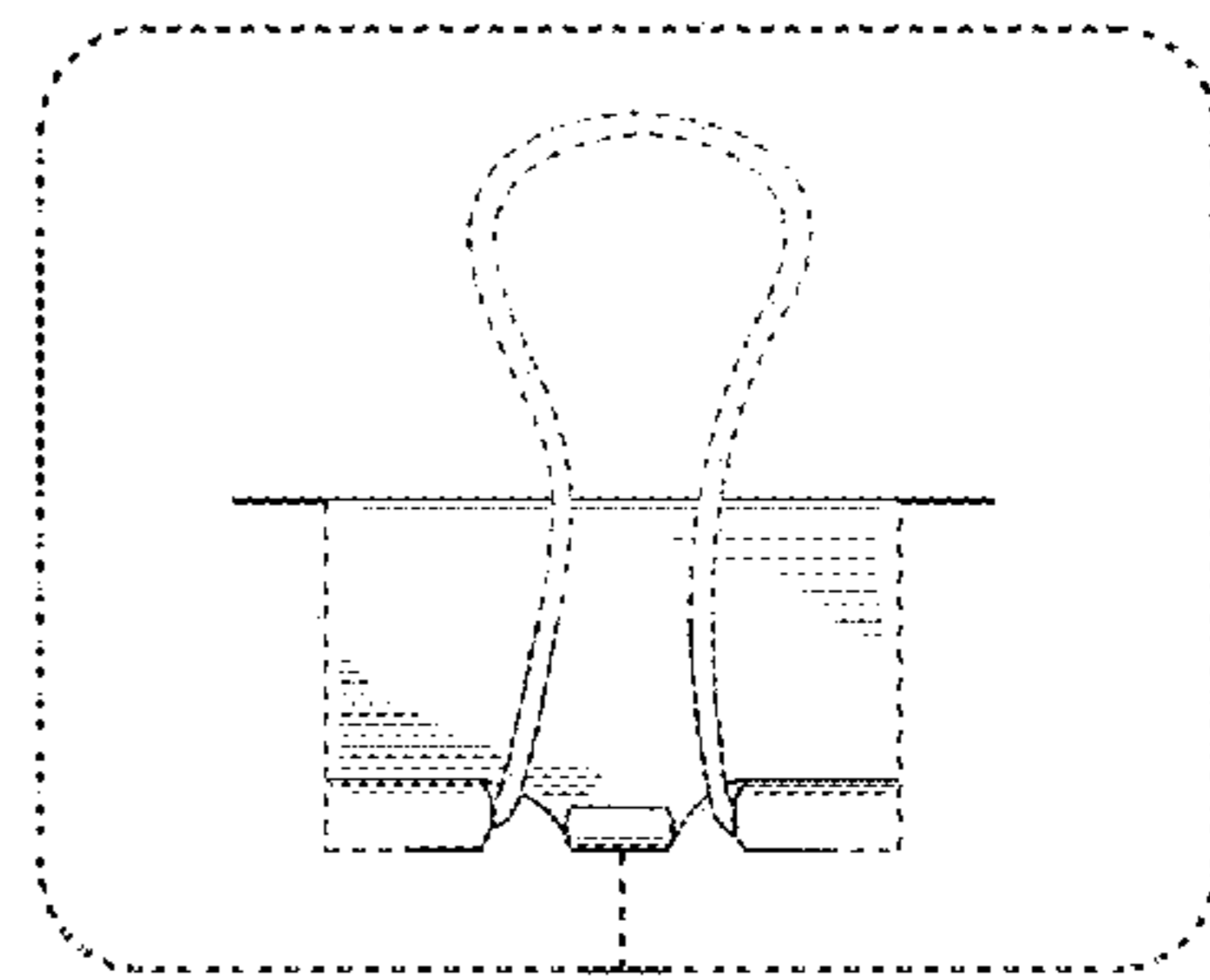


FIG. 46