



US00D717864S

(12) **United States Design Patent**
Chiang

(10) **Patent No.:** **US D717,864 S**

(45) **Date of Patent:** **** Nov. 18, 2014**

(54) **SWIMMING GOGGLES**

(71) Applicant: **Global Esprit Inc.**, New Taipei (TW)

(72) Inventor: **Herman Chiang**, New Taipei (TW)

(73) Assignee: **Global Esprit Inc.**, New Taipei (TW)

(**) Term: **14 Years**

(21) Appl. No.: **29/497,007**

(22) Filed: **Jul. 20, 2014**

(51) **LOC (10) Cl.** **14-03**

(52) **U.S. Cl.**
USPC **D16/303**; D16/311

(58) **Field of Classification Search**
CPC A63B 33/002
USPC D14/125-134, 239, 371, 136, 374-377,
D14/440, 450, 448, 336, 342, 159, 372;
312/7.2; D16/101, 300-342; 351/41,
351/44, 158; D10/15, 26; 446/484, 175,
446/356; D6/477, 479, 300; 2/426-430,
2/436-437, 440-452
See application file for complete search history.

(56) **References Cited**

U.S. PATENT DOCUMENTS

2,545,428 A * 3/1951 Liataud 2/452
D393,273 S * 4/1998 Hall et al. D16/303

D409,219 S * 5/1999 Huang D16/303
6,721,963 B1 * 4/2004 Kawashima 2/426
D590,002 S * 4/2009 Chiang D16/303
D653,694 S * 2/2012 Chiang D16/303
2011/0047683 A1 * 3/2011 Chiang 2/446

* cited by examiner

Primary Examiner — Raphael Barkai

(74) *Attorney, Agent, or Firm* — Cheng-Ju Chiang

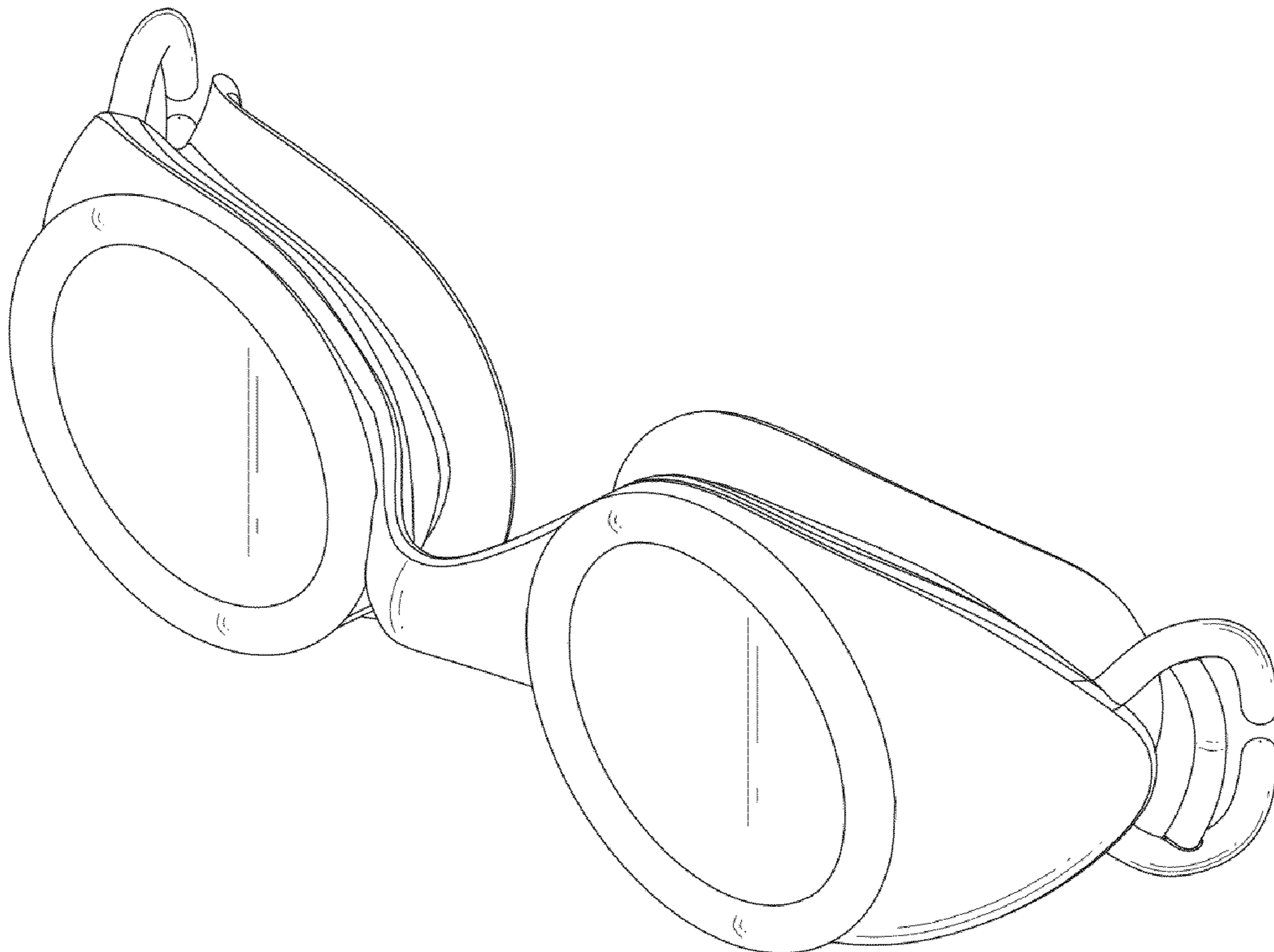
(57) **CLAIM**

The ornamental design for swimming goggles, as shown and described.

DESCRIPTION

FIG. 1 is a perspective view of swimming goggles showing my new design;
FIG. 2 is a front elevational view thereof;
FIG. 3 is a rear elevational view thereof;
FIG. 4 is a left elevational view thereof;
FIG. 5 is a right elevational view thereof;
FIG. 6 is a top plan view thereof;
FIG. 7 is a bottom plan view thereof; and,
FIG. 8 is a perspective view of the swimming goggles with a head strap showing my new design.
The broken line portion of the figure drawings is included to show unclaimed subject matter only and forms no part of the claimed design.

1 Claim, 5 Drawing Sheets



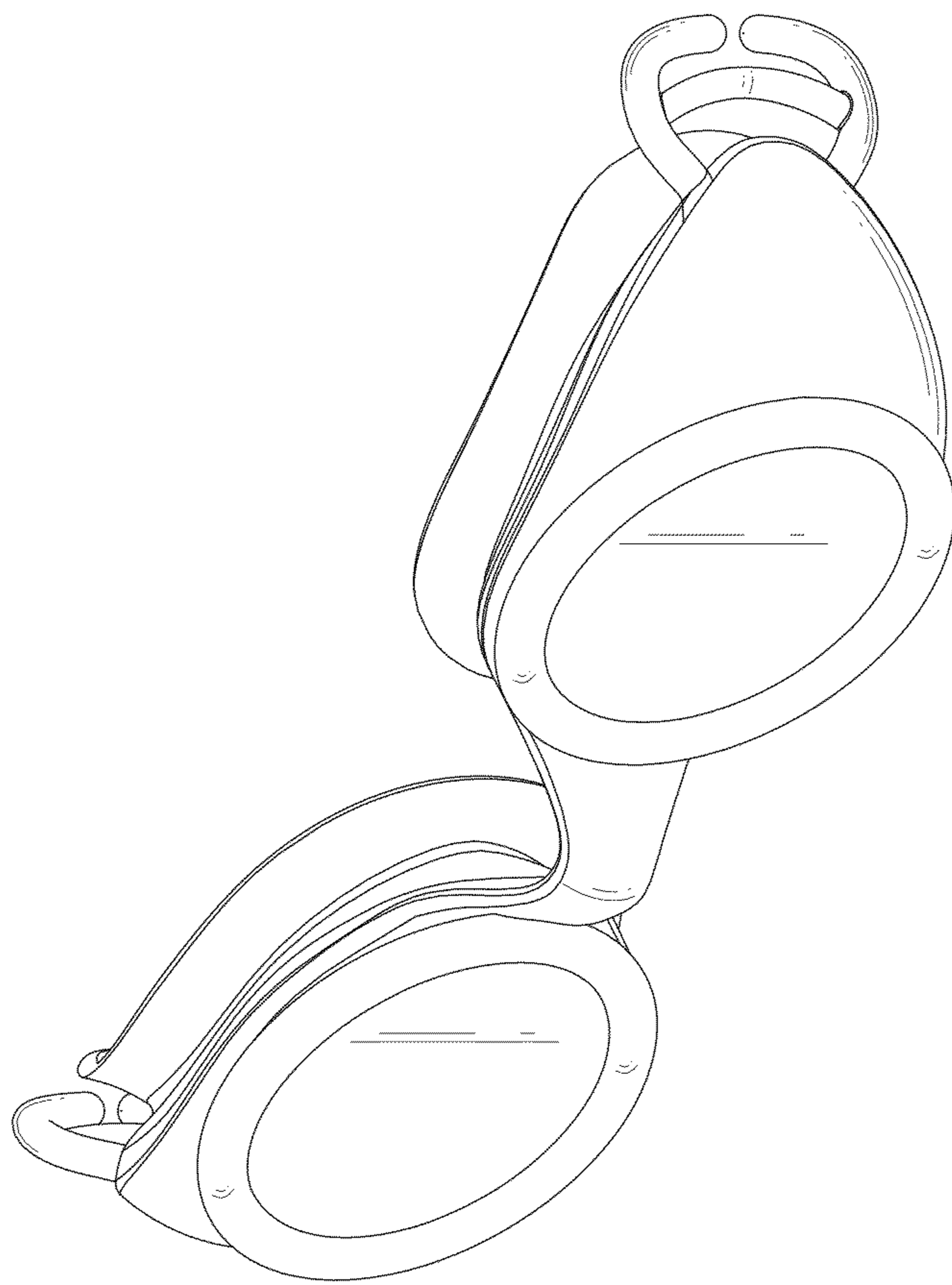


FIG.1

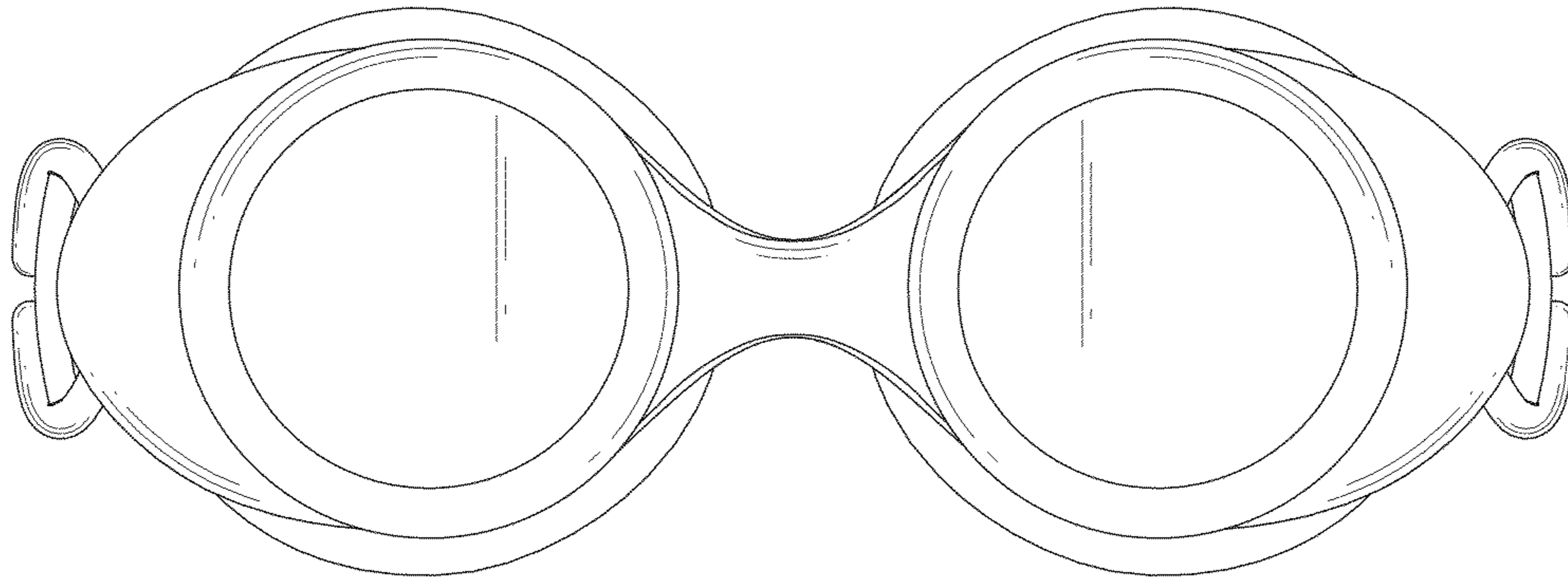


FIG. 2

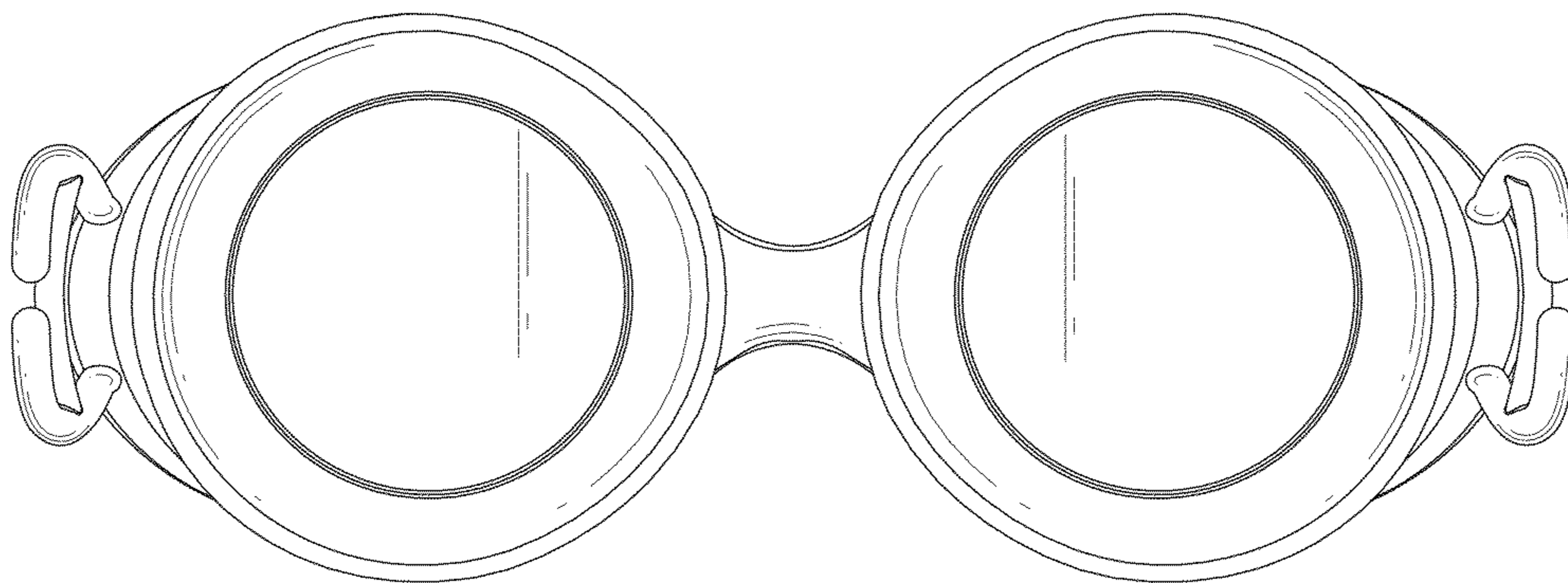


FIG. 3

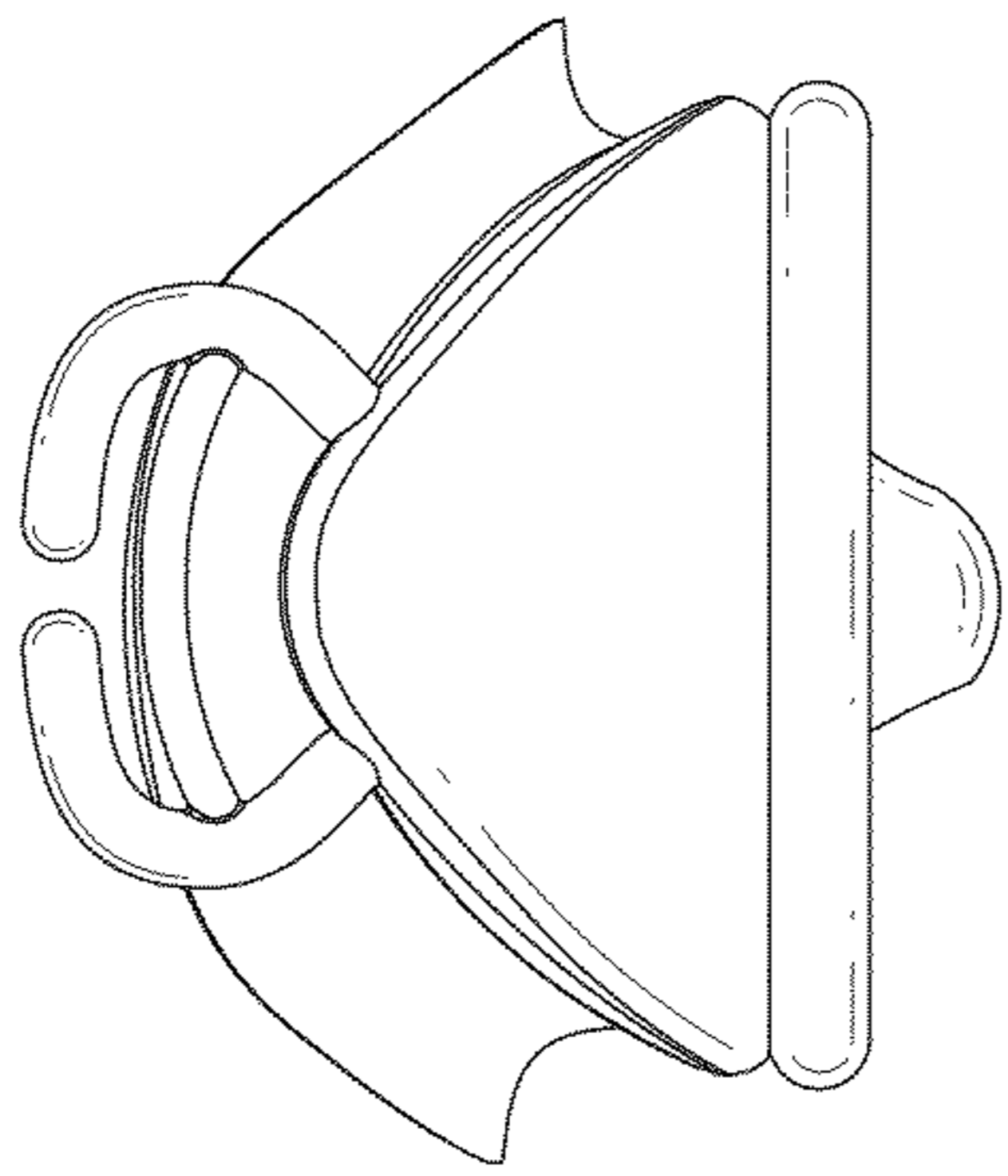


FIG. 4

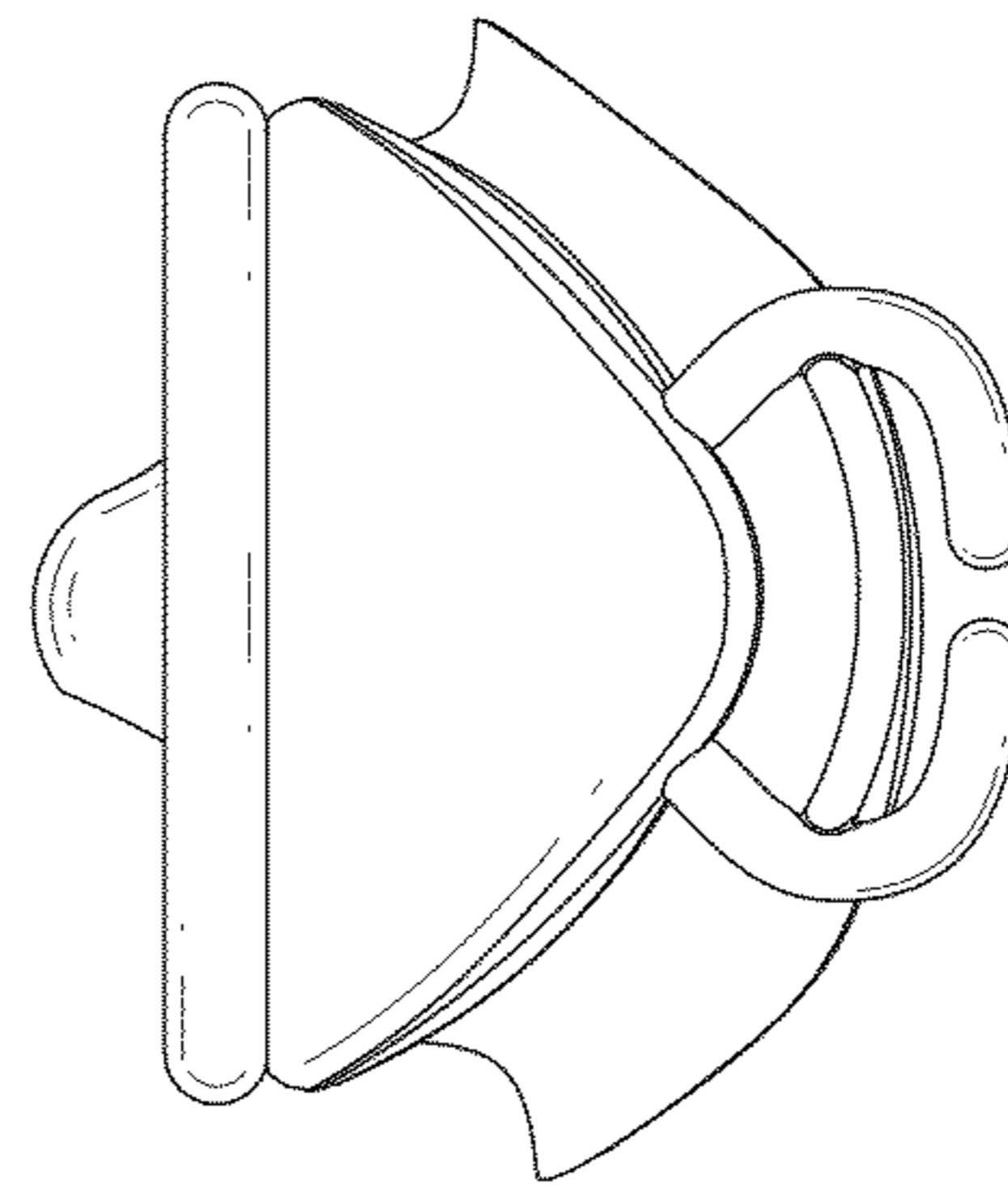


FIG. 5

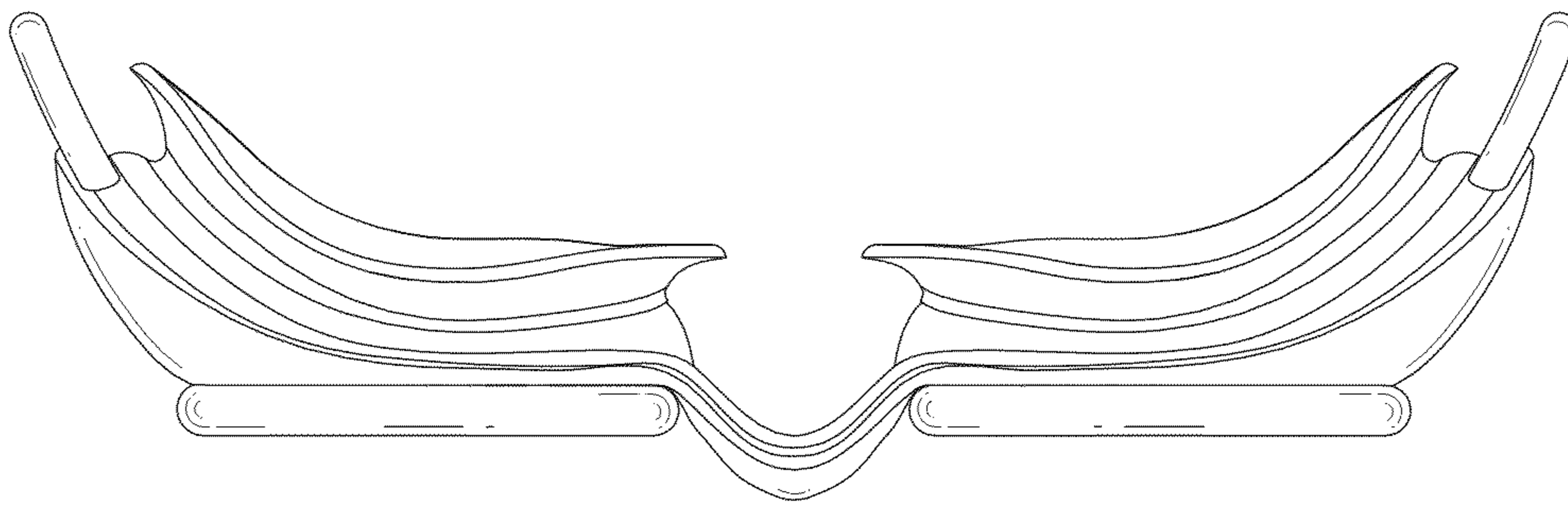


FIG. 6

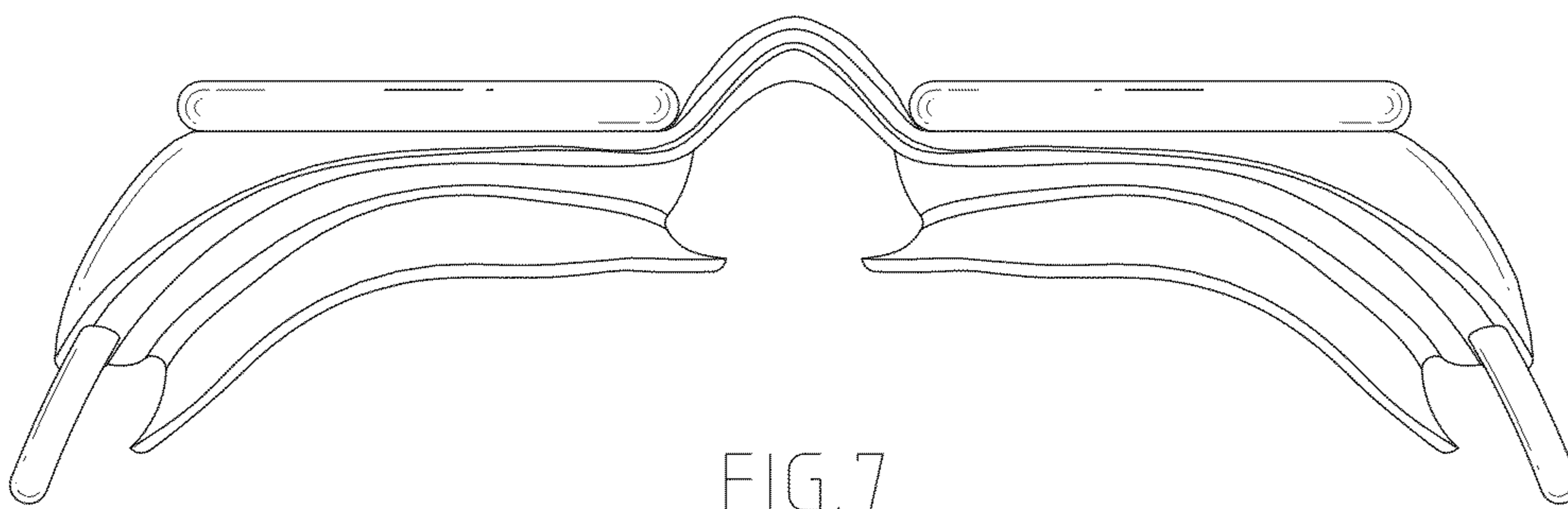


FIG. 7

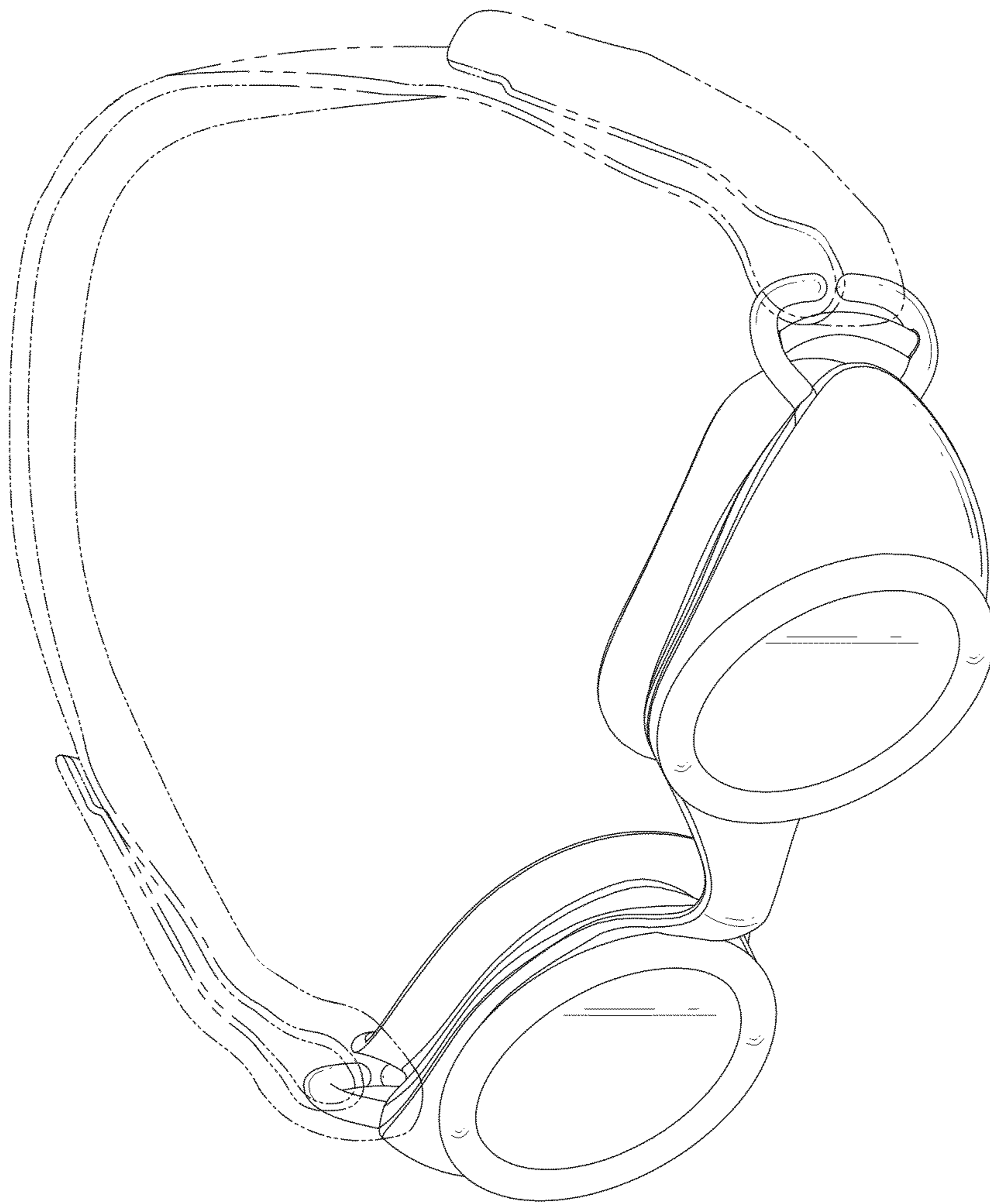


FIG. 8