



US00D717863S

(12) **United States Design Patent**  
**Chiang**

(10) **Patent No.:** **US D717,863 S**

(45) **Date of Patent:** **\*\* Nov. 18, 2014**

(54) **SWIMMING GOGGLES**

(71) Applicant: **Global Esprit Inc.**, New Taipei (TW)

(72) Inventor: **Herman Chiang**, New Taipei (TW)

(73) Assignee: **Global Esprit Inc.**, New Taipei (TW)

(\*\*) Term: **14 Years**

(21) Appl. No.: **29/497,006**

(22) Filed: **Jul. 19, 2014**

(51) **LOC (10) Cl.** ..... **14-03**

(52) **U.S. Cl.**  
USPC ..... **D16/303**; D16/311

(58) **Field of Classification Search**  
CPC ..... A63B 33/002  
USPC ..... D14/125-134, 239, 371, 136, 374-377,  
D14/440, 450, 448, 336, 342, 159, 372;  
312/7.2; D16/101, 300-342; 351/41,  
351/44, 158; D10/15, 26; 446/484, 175,  
446/356; D6/477, 479, 300; 2/426-430,  
2/436-437, 440-452  
See application file for complete search history.

(56) **References Cited**

**U.S. PATENT DOCUMENTS**

D435,057 S \* 12/2000 Chen ..... D16/303  
D457,548 S \* 5/2002 Chiang ..... D16/303

D566,745 S \* 4/2008 Urabe ..... D16/311  
D574,033 S \* 7/2008 Isaac ..... D16/311  
7,779,488 B2 \* 8/2010 Fukasawa ..... 2/428  
D658,702 S \* 5/2012 Furniss et al. .... D16/311  
D696,337 S \* 12/2013 Chiang ..... D16/303  
2008/0072366 A1 \* 3/2008 Fukasawa ..... 2/445  
2009/0165192 A1 \* 7/2009 Chiang ..... 2/445  
2010/0077538 A1 \* 4/2010 Chiang ..... 2/428  
2012/0222202 A1 \* 9/2012 Chiang ..... 2/452

\* cited by examiner

*Primary Examiner* — Raphael Barkai

(74) *Attorney, Agent, or Firm* — Cheng-Ju Chiang

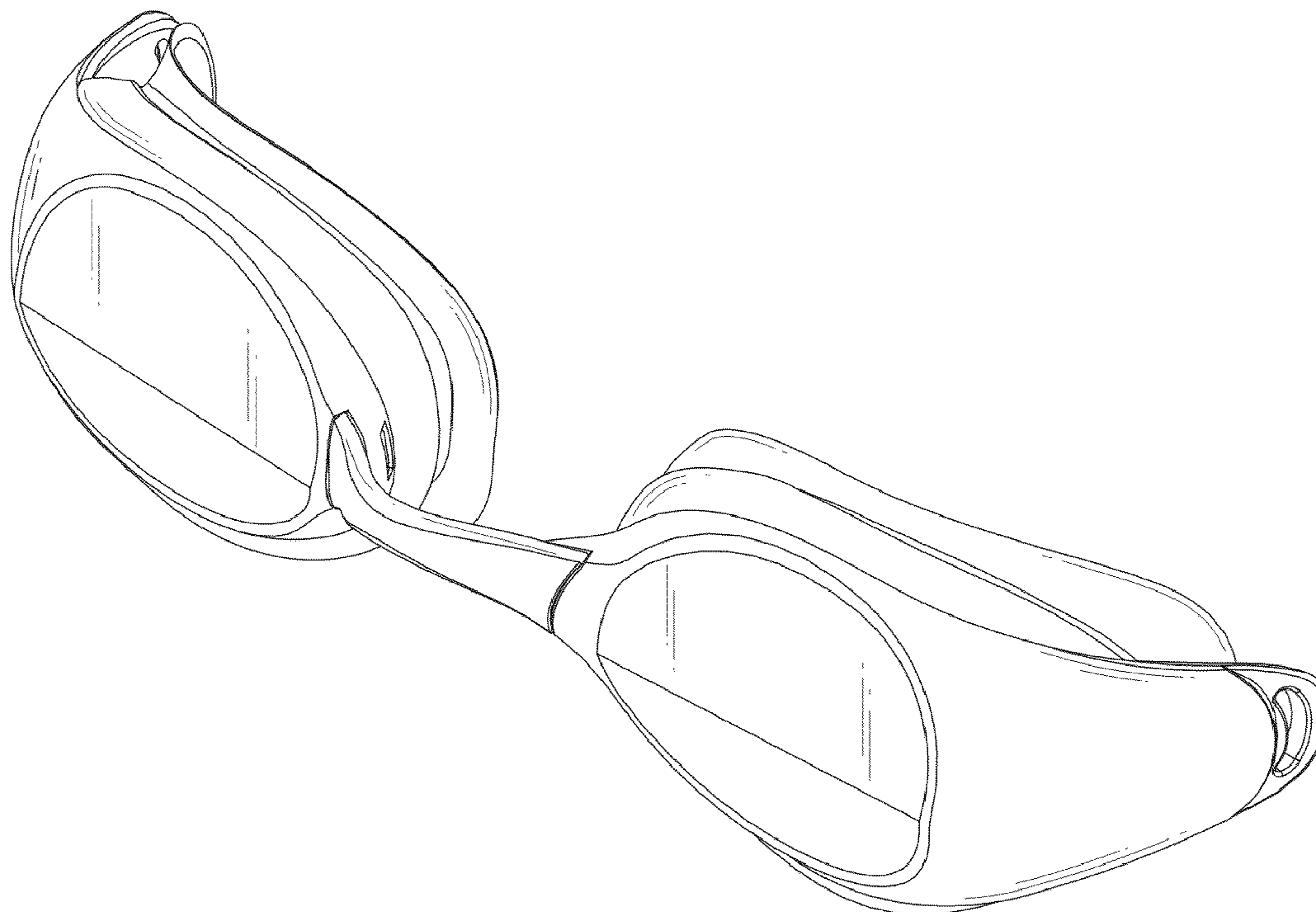
(57) **CLAIM**

The ornamental design for swimming goggles, as shown and described.

**DESCRIPTION**

FIG. 1 is a perspective view of swimming goggles showing my new design;  
FIG. 2 is a front elevational view thereof;  
FIG. 3 is a rear elevational view thereof;  
FIG. 4 is a left elevational view thereof;  
FIG. 5 is a right elevational view thereof;  
FIG. 6 is a top plan view thereof;  
FIG. 7 is a bottom plan view thereof; and,  
FIG. 8 is a transversal cross-sectional view of the FIG. 2.

**1 Claim, 5 Drawing Sheets**



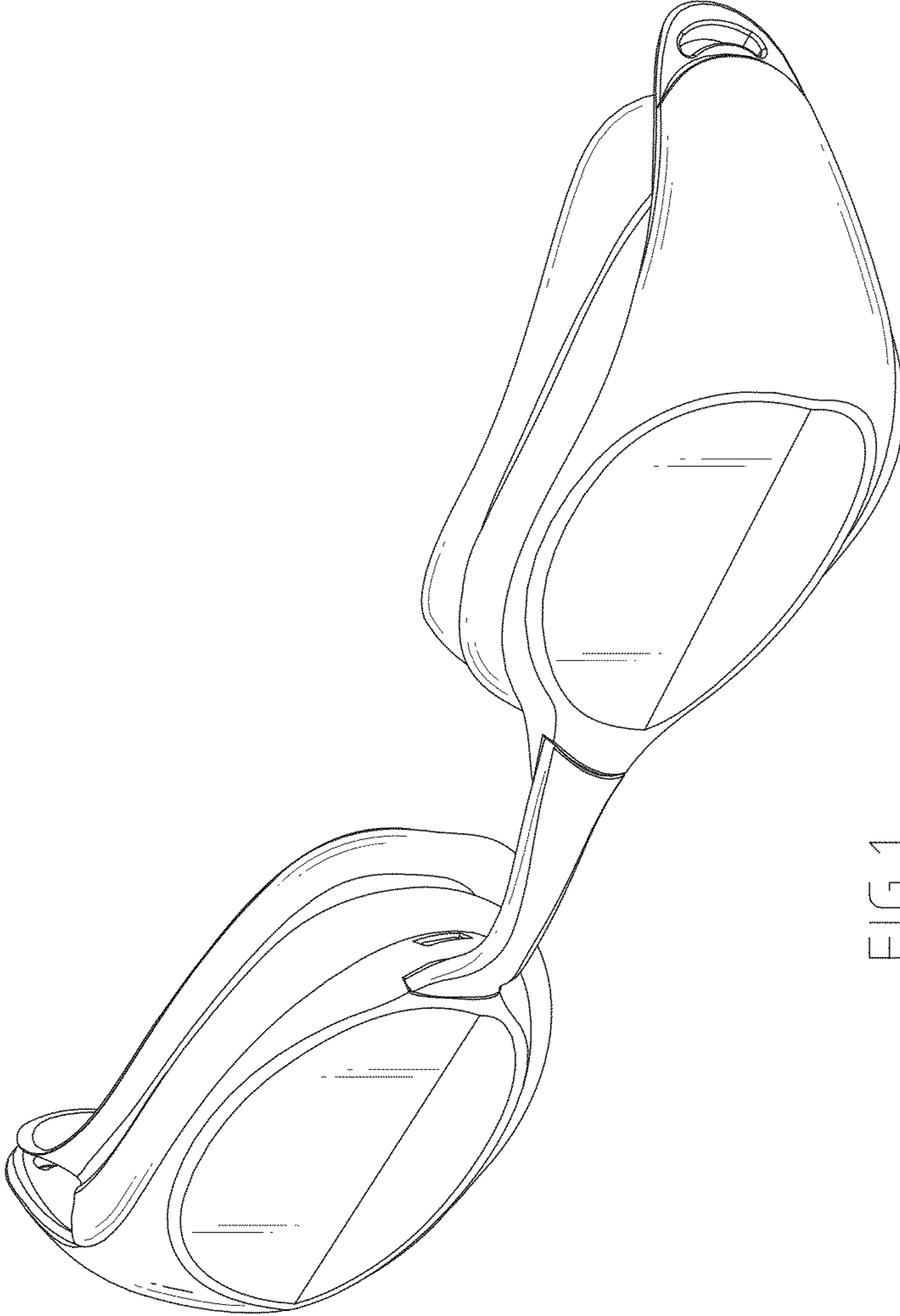


FIG.1

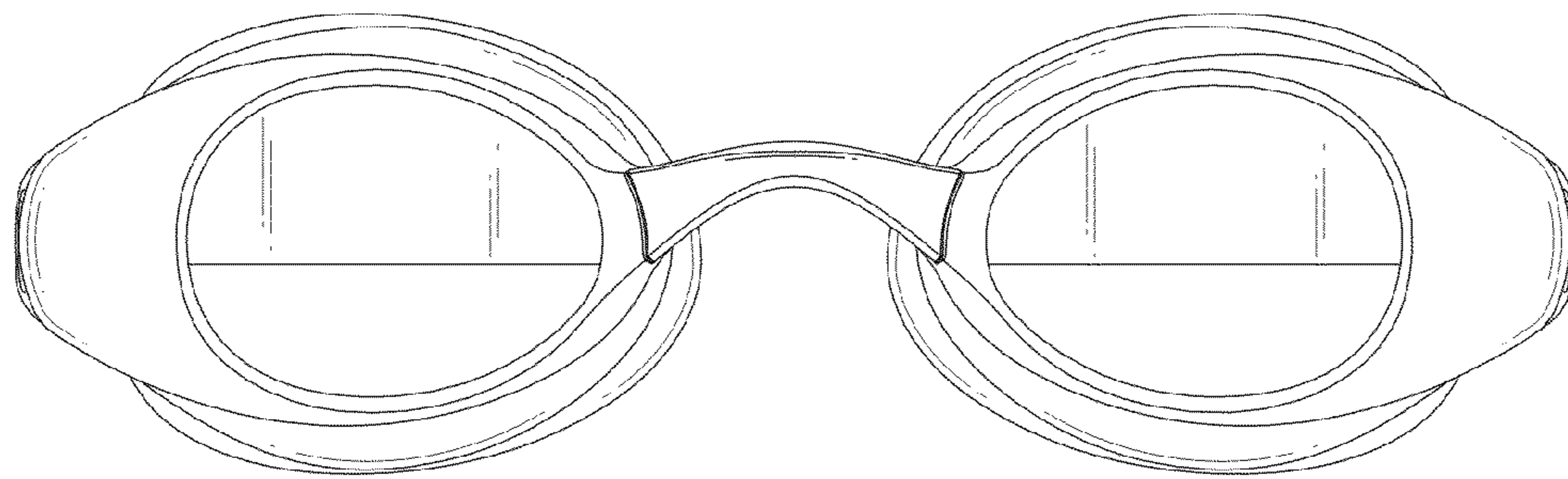


FIG. 2

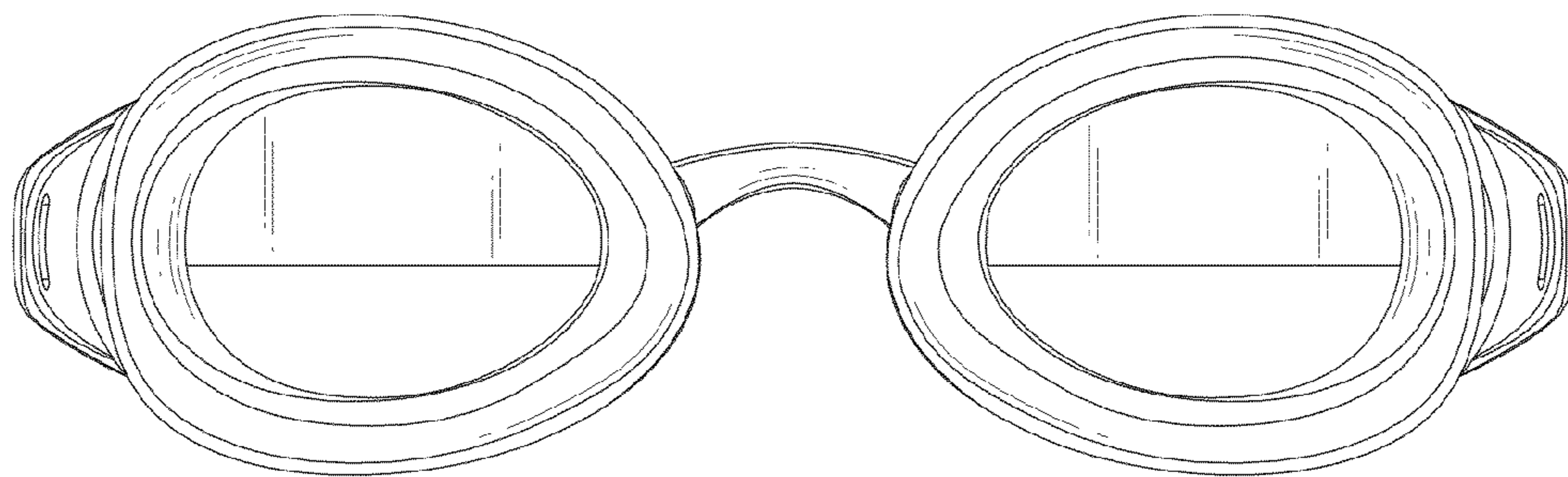


FIG. 3

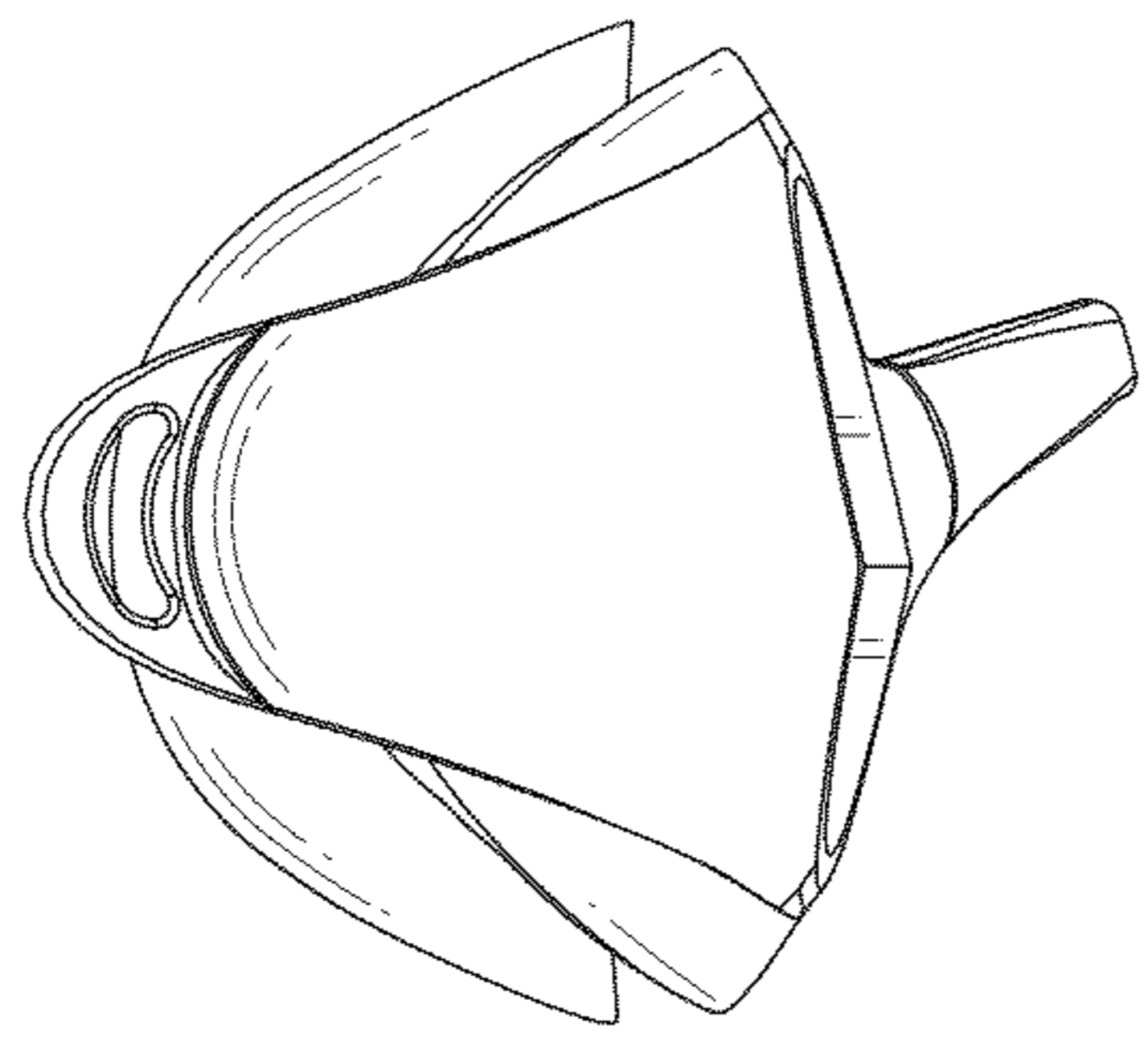


FIG. 4

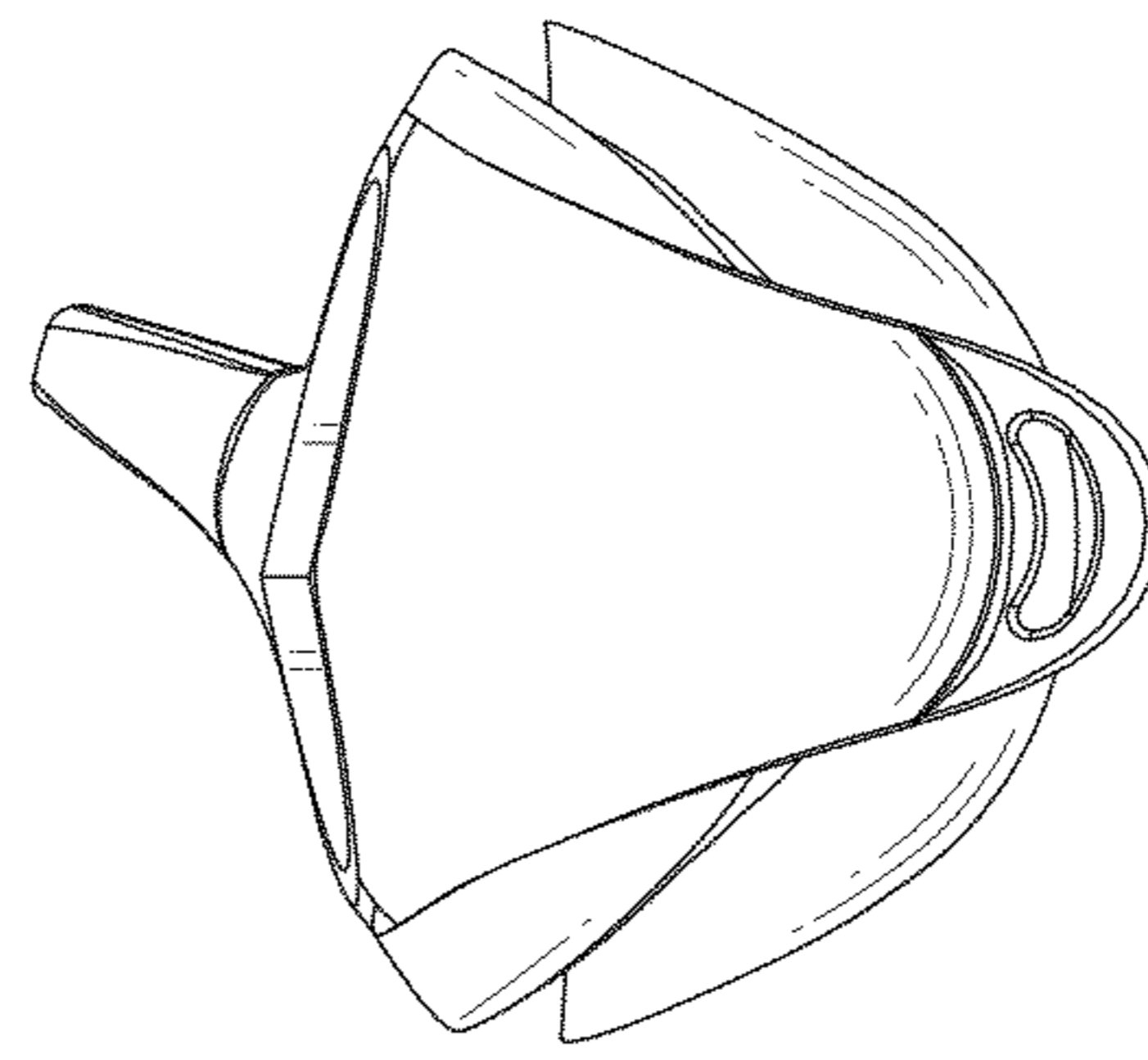


FIG. 5

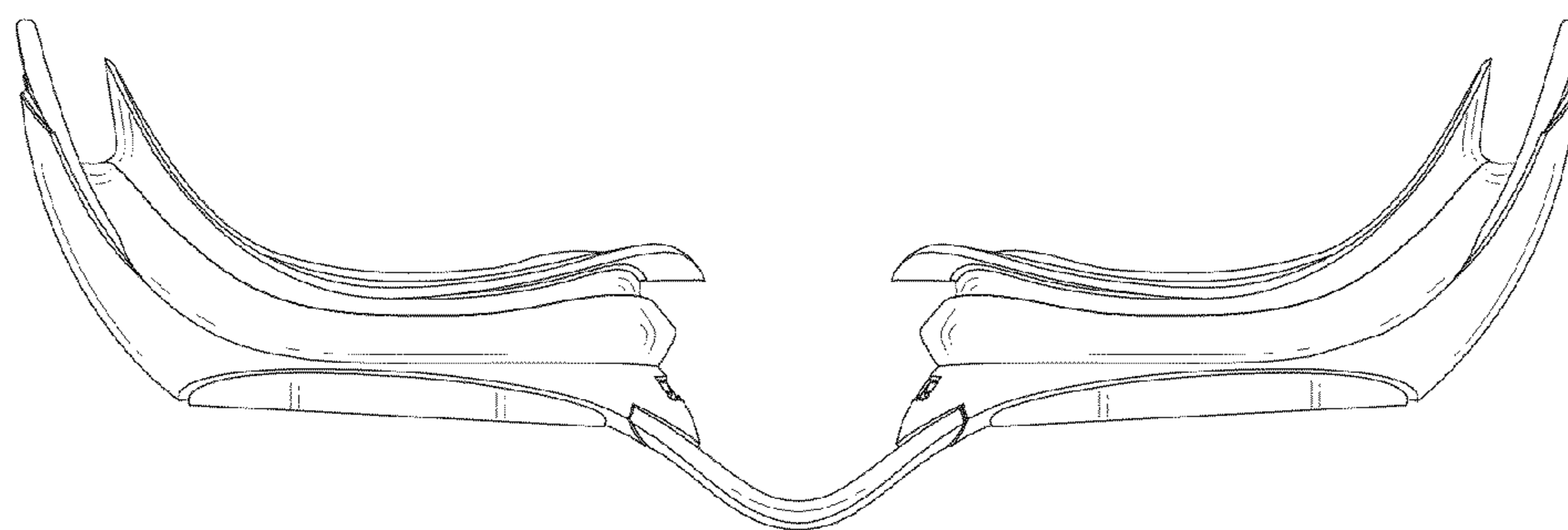


FIG. 6

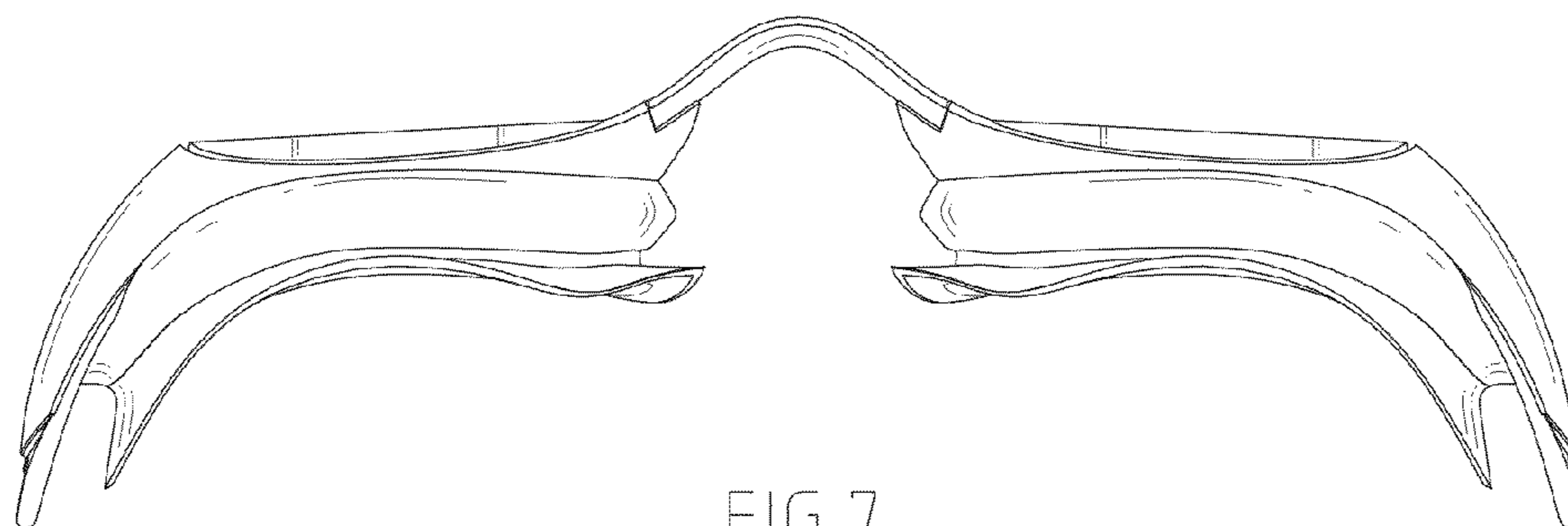


FIG. 7

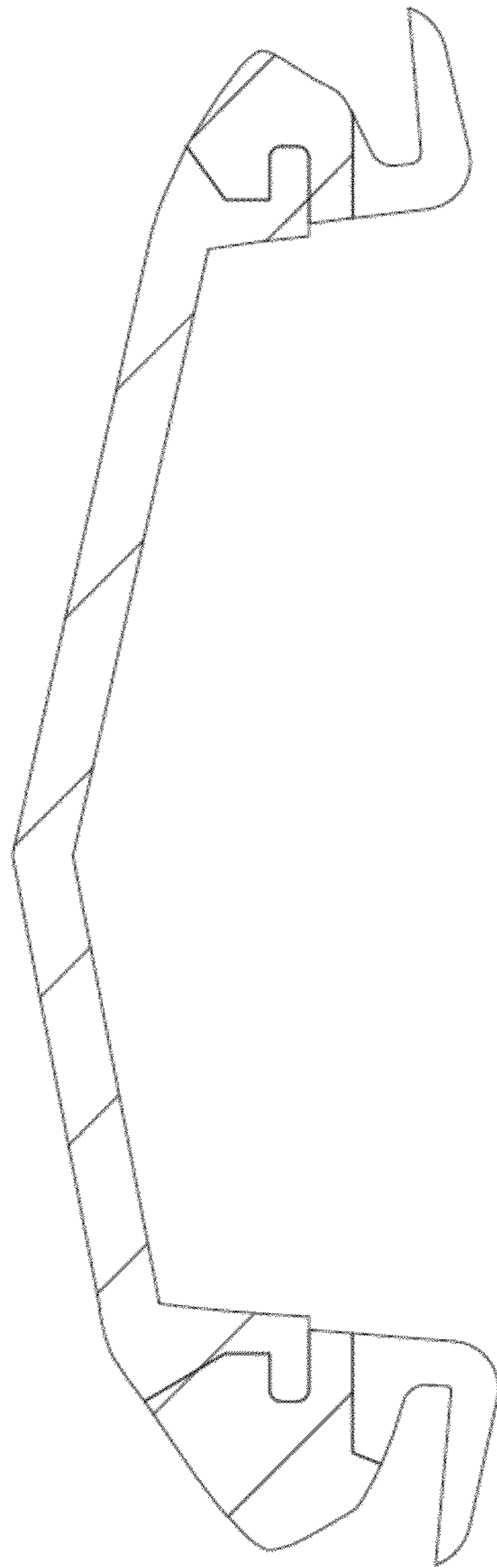


FIG. 8