



US00D717862S

(12) **United States Design Patent**
Chiang

(10) **Patent No.:** **US D717,862 S**
(45) **Date of Patent:** **** Nov. 18, 2014**

- (54) **SWIMMING GOGGLES**
- (71) Applicant: **Global Esprit Inc.**, New Taipei (TW)
- (72) Inventor: **Herman Chiang**, New Taipei (TW)
- (73) Assignee: **Global Esprit Inc.**, New Taipei (TW)
- (**) Term: **14 Years**
- (21) Appl. No.: **29/497,005**
- (22) Filed: **Jul. 19, 2014**
- (51) **LOC (10) Cl.** **14-03**
- (52) **U.S. Cl.**
USPC **D16/303; D16/311**
- (58) **Field of Classification Search**
CPC A63B 33/002
USPC D14/125-134, 239, 371, 136, 374-377,
D14/440, 450, 448, 336, 342, 159, 372;
312/7.2; D16/101, 300-342; 351/41,
351/44, 158; D10/15, 26; 446/484, 175,
446/356; D6/477, 479, 300; 2/426-430,
2/436-437, 440-452
See application file for complete search history.

- D589,076 S * 3/2009 Chiang D16/303
- D589,077 S * 3/2009 Chiang D16/303
- D613,786 S * 4/2010 Chiang D16/303
- 2011/0004981 A1 * 1/2011 Chiang 2/446

* cited by examiner

Primary Examiner — Raphael Barkai

(74) *Attorney, Agent, or Firm* — Cheng-Ju Chiang

(57) **CLAIM**

The ornamental design for swimming goggles, as shown and described.

DESCRIPTION

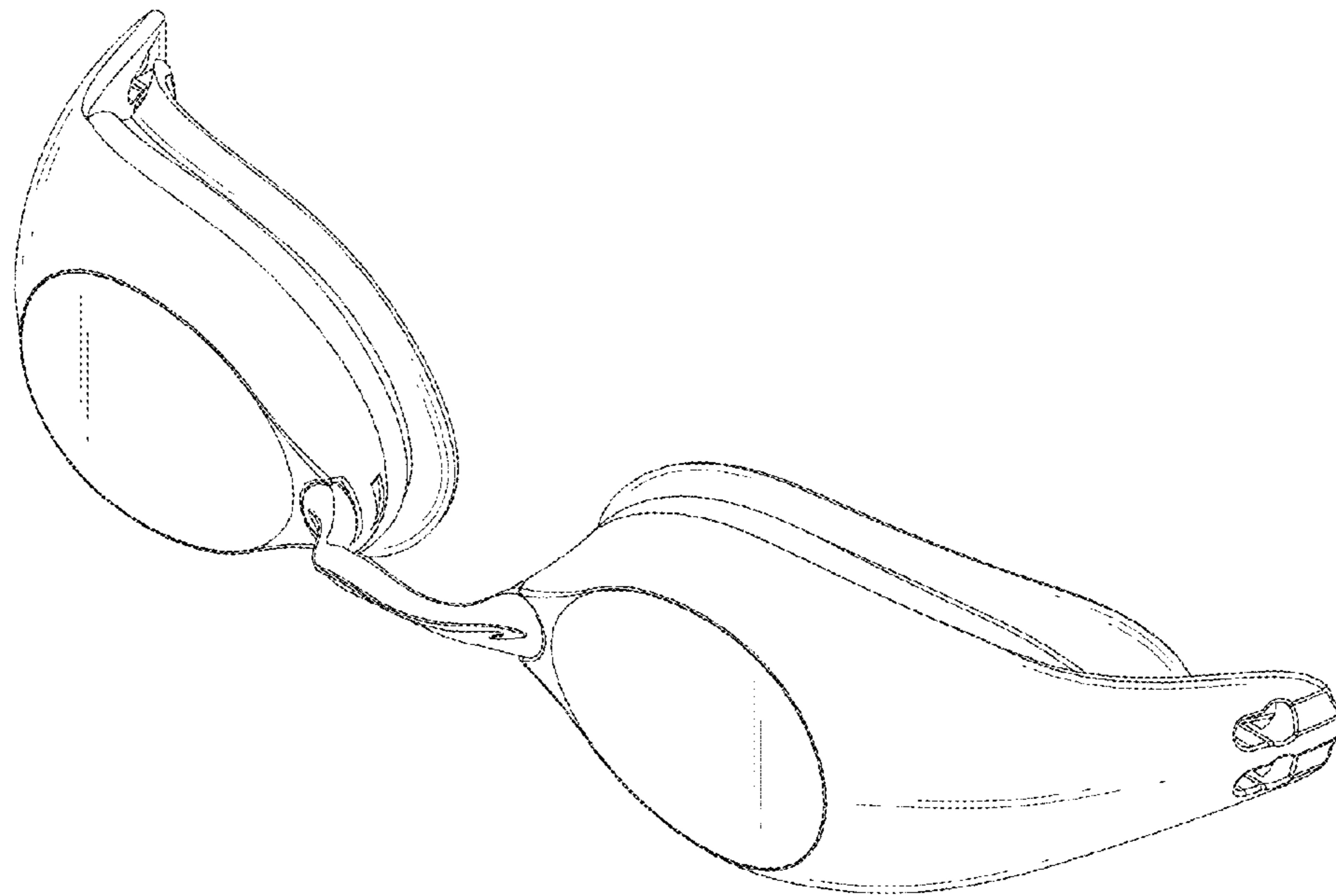
FIG. 1 is a perspective view of swimming goggles showing my new design;
 FIG. 2 is a front elevational view thereof;
 FIG. 3 is a rear elevational view thereof;
 FIG. 4 is a left elevational view thereof;
 FIG. 5 is a right elevational view thereof;
 FIG. 6 is a top plan view thereof; and,
 FIG. 7 is a bottom plan view thereof.

1 Claim, 4 Drawing Sheets

(56) **References Cited**

U.S. PATENT DOCUMENTS

- D432,556 S * 10/2000 Lando D16/303
- 6,321,390 B1 * 11/2001 Chiang 2/428



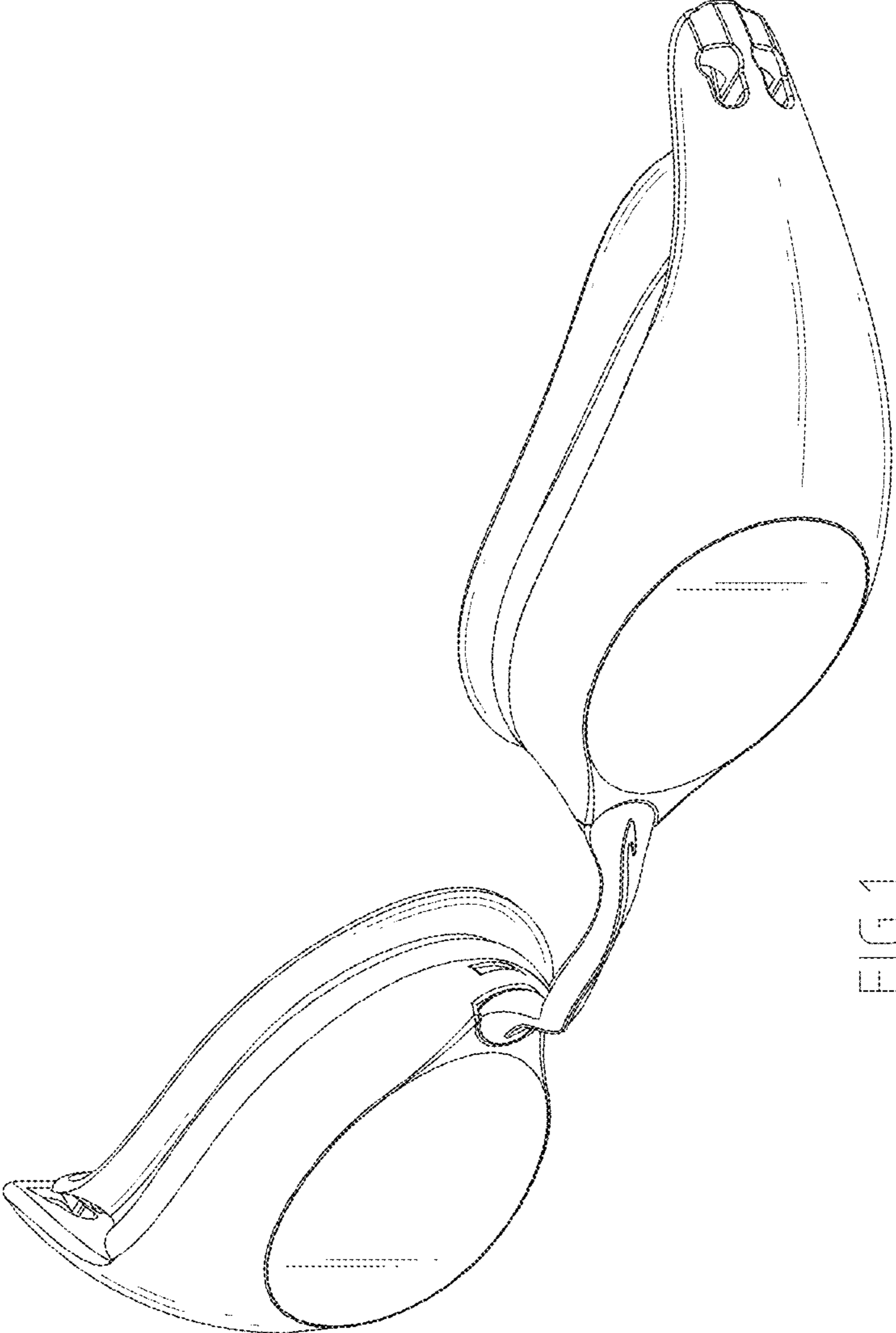


FIG. 1

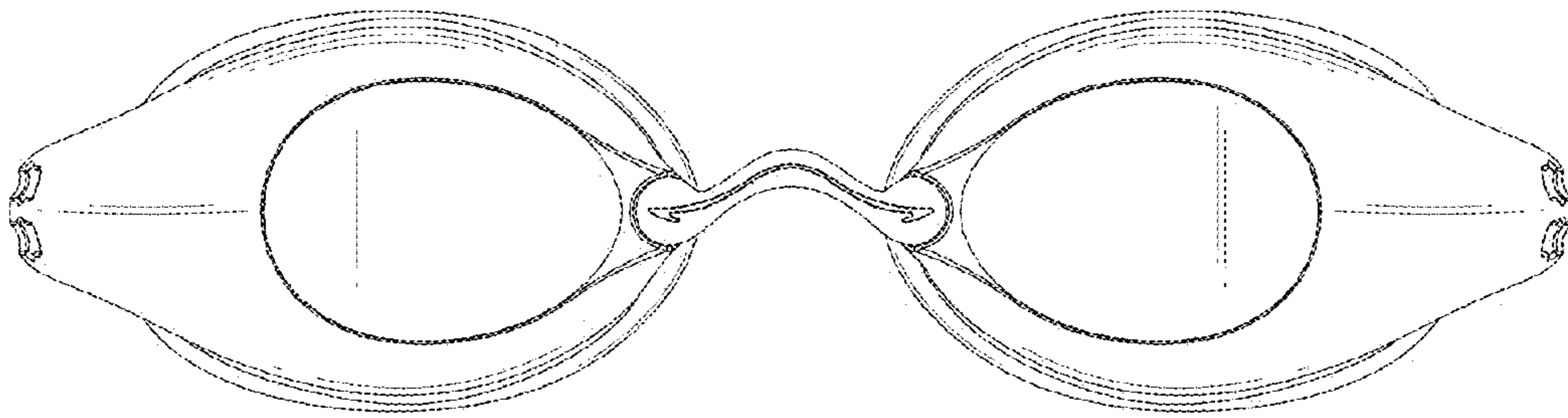


FIG. 2

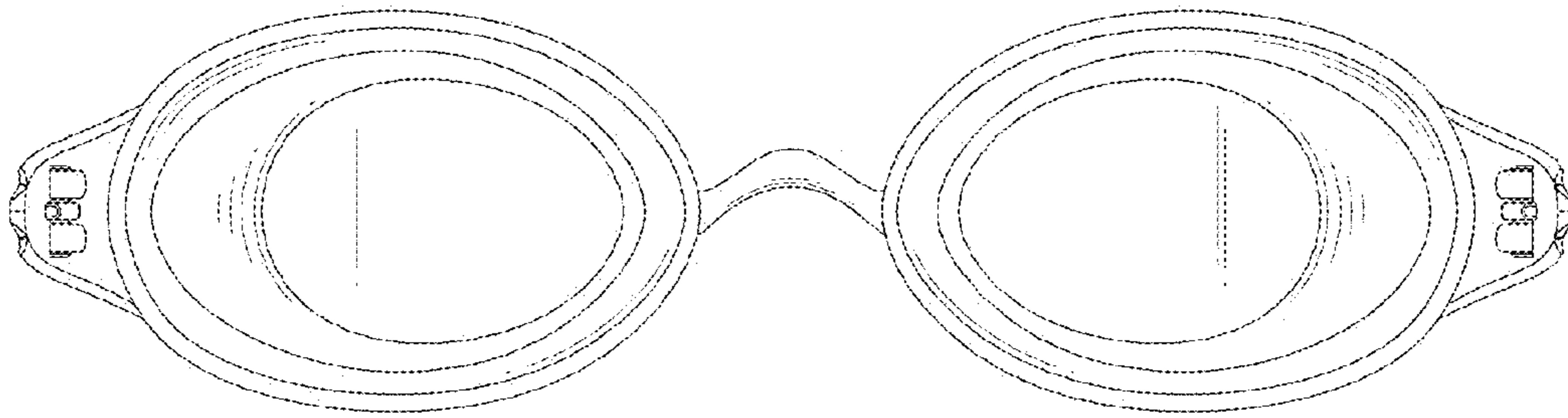


FIG. 3

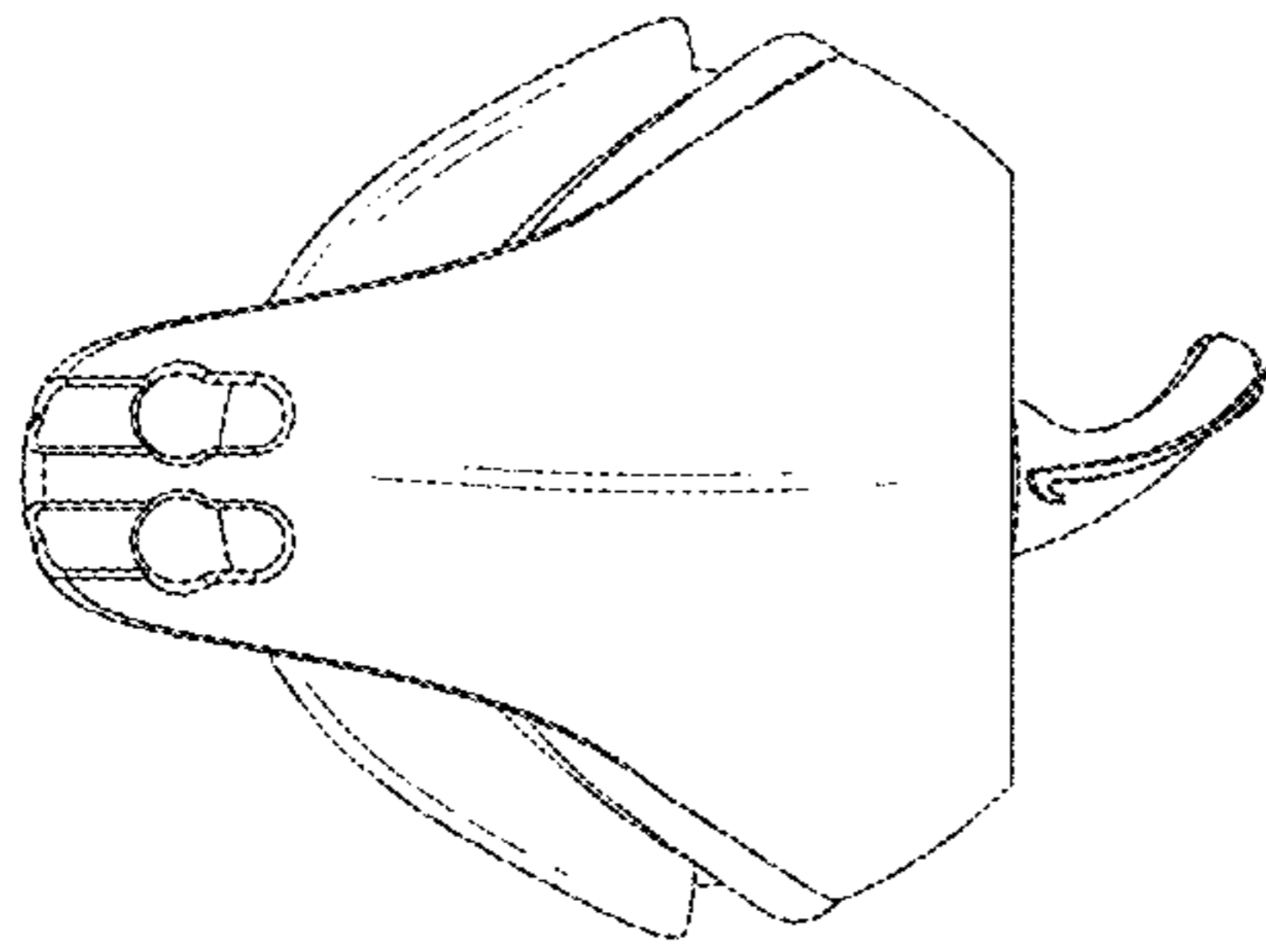


FIG. 4

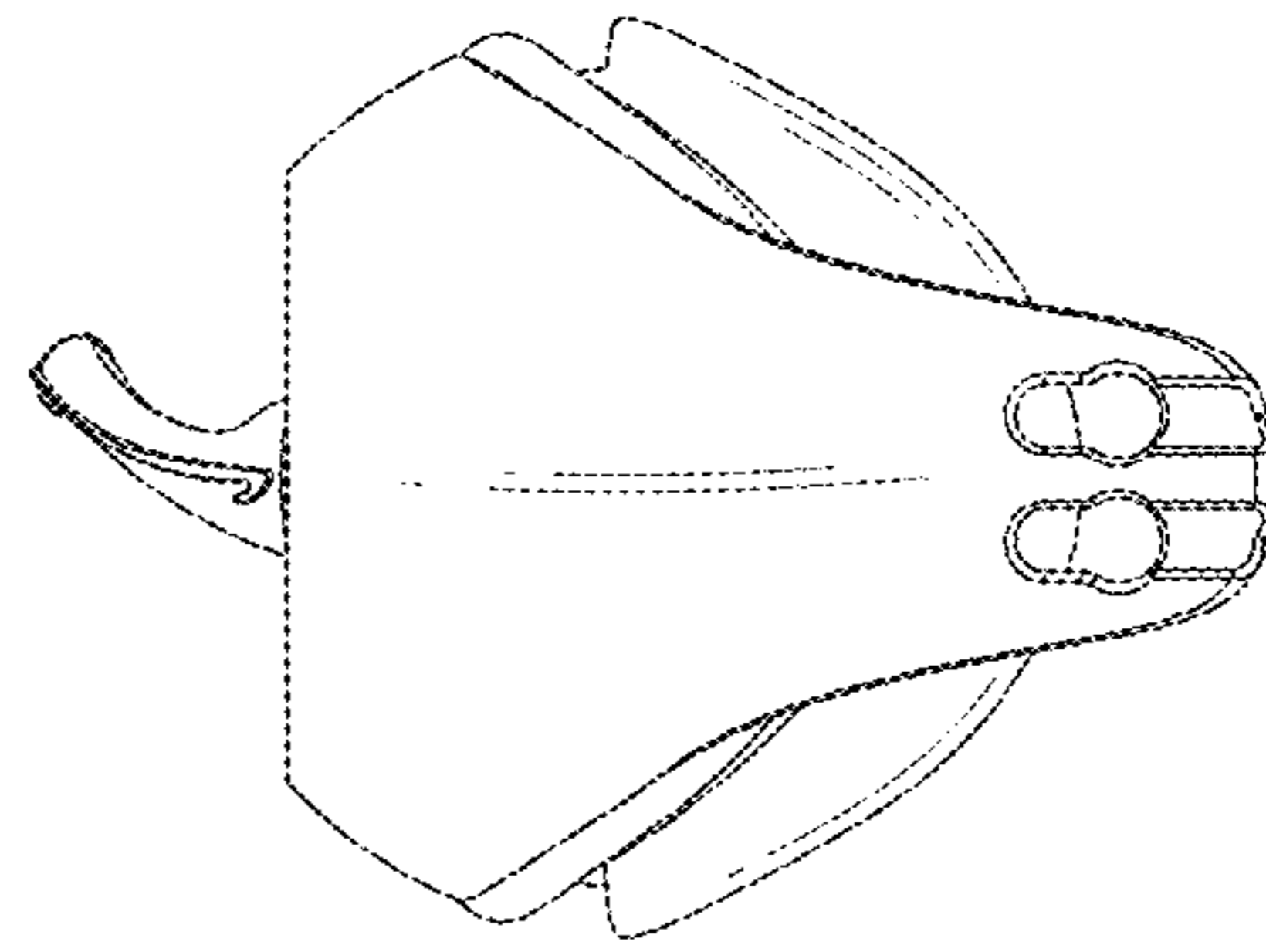


FIG. 5

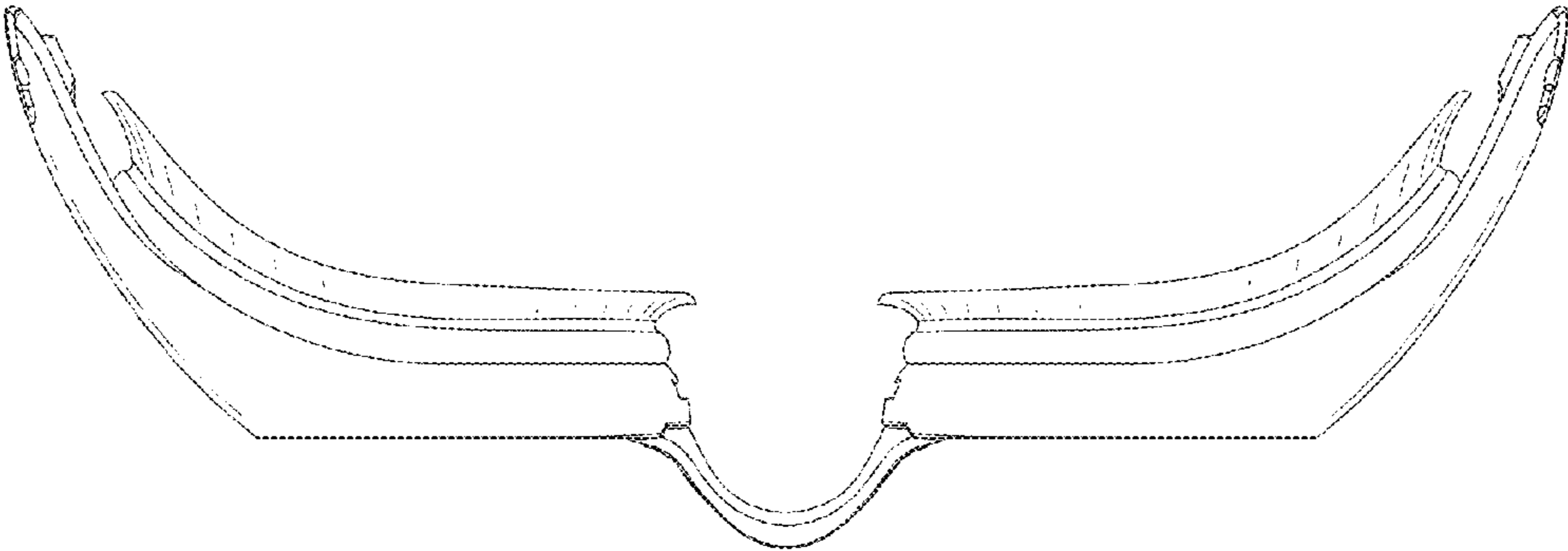


FIG. 6

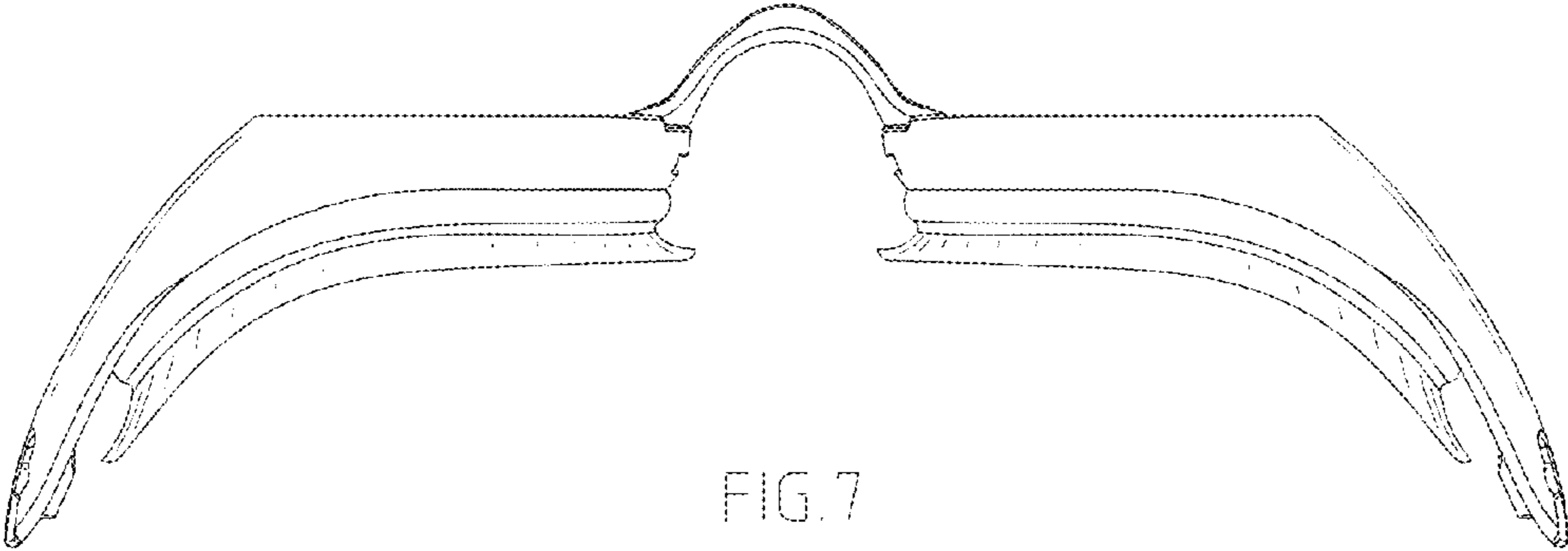


FIG. 7