



US00D717855S

(12) **United States Design Patent**
Hong

(10) **Patent No.:** **US D717,855 S**

(45) **Date of Patent:** **** Nov. 18, 2014**

(54) **CAMERA FOR PROJECTOR AND COMPUTER**

(71) Applicant: **Ipevo Corp.**, Taipei (TW)

(72) Inventor: **Royce Yu-Chun Hong**, Taipei (TW)

(73) Assignee: **Ipevo Corp.**, Taipei (TW)

(**) Term: **14 Years**

(21) Appl. No.: **29/460,750**

(22) Filed: **Jul. 15, 2013**

(51) **LOC (10) Cl.** **16-02**

(52) **U.S. Cl.**
USPC **D16/232; D14/423**

(58) **Field of Classification Search**
CPC G03B 17/02; G03B 19/04; G03B 17/56;
G03B 17/04; G03B 15/03; G03B 17/48;
G03B 17/06; H04N 5/2251; H04N 5/2252;
H04N 5/2253; H04N 5/2254
USPC D16/200, 202–204, 208, 211, 218, 219,
D16/221, 225, 229, 232; D14/423;
348/373–376; 396/430, 431, 535,
396/539–541

See application file for complete search history.

(56) **References Cited**

U.S. PATENT DOCUMENTS

D377,032	S *	12/1996	Morooka	D16/202
D394,668	S *	5/1998	Iino	D16/202
5,978,028	A *	11/1999	Yamane	348/373
D607,482	S *	1/2010	Inoue et al.	D16/232
7,646,425	B2 *	1/2010	Bohaker et al.	348/373

D642,608	S *	8/2011	Kato	D16/232
D651,635	S *	1/2012	Hong	D16/208
D662,121	S *	6/2012	Rodriguez et al.	D16/208
D667,042	S *	9/2012	Shen	D16/232
D677,707	S *	3/2013	Shen	D16/232
D680,143	S *	4/2013	Henssler et al.	D16/200
D686,268	S *	7/2013	Dunn	D16/232
D699,242	S *	2/2014	Hu	D14/423

* cited by examiner

Primary Examiner — Adir Aronovich

Assistant Examiner — Ramzi Almatrahi

(74) *Attorney, Agent, or Firm* — The Weintraub Group, P.L.C.

(57) **CLAIM**

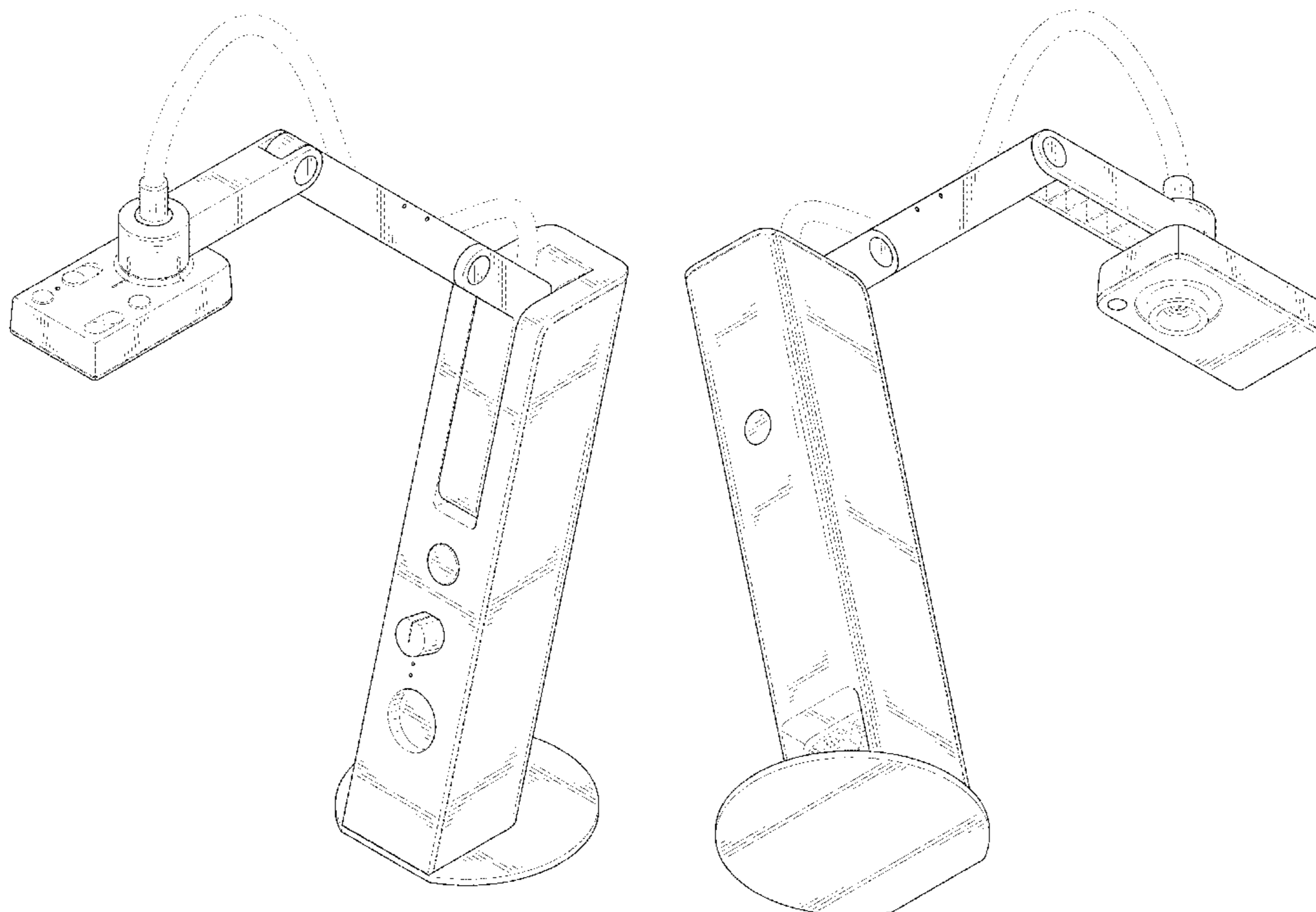
The ornamental design for a camera for projector and computer, as shown and described.

DESCRIPTION

FIG. 1 is a top, front, and right perspective view of a camera for projector and computer showing my new design; FIG. 2 is a front view thereof; FIG. 3 is a rear view thereof; FIG. 4 is a left side view thereof; FIG. 5 is a right side view thereof; FIG. 6 is a top view thereof; FIG. 7 is a bottom view thereof; FIG. 8 is a bottom, rear, and left perspective view thereof; and, FIG. 9 is a top, front, and right perspective view thereof showing the camera for projector and computer in a folded configuration.

The broken lines depict portions of the camera for projector and computer in which the design is embodied and form no part of the claimed design.

1 Claim, 9 Drawing Sheets



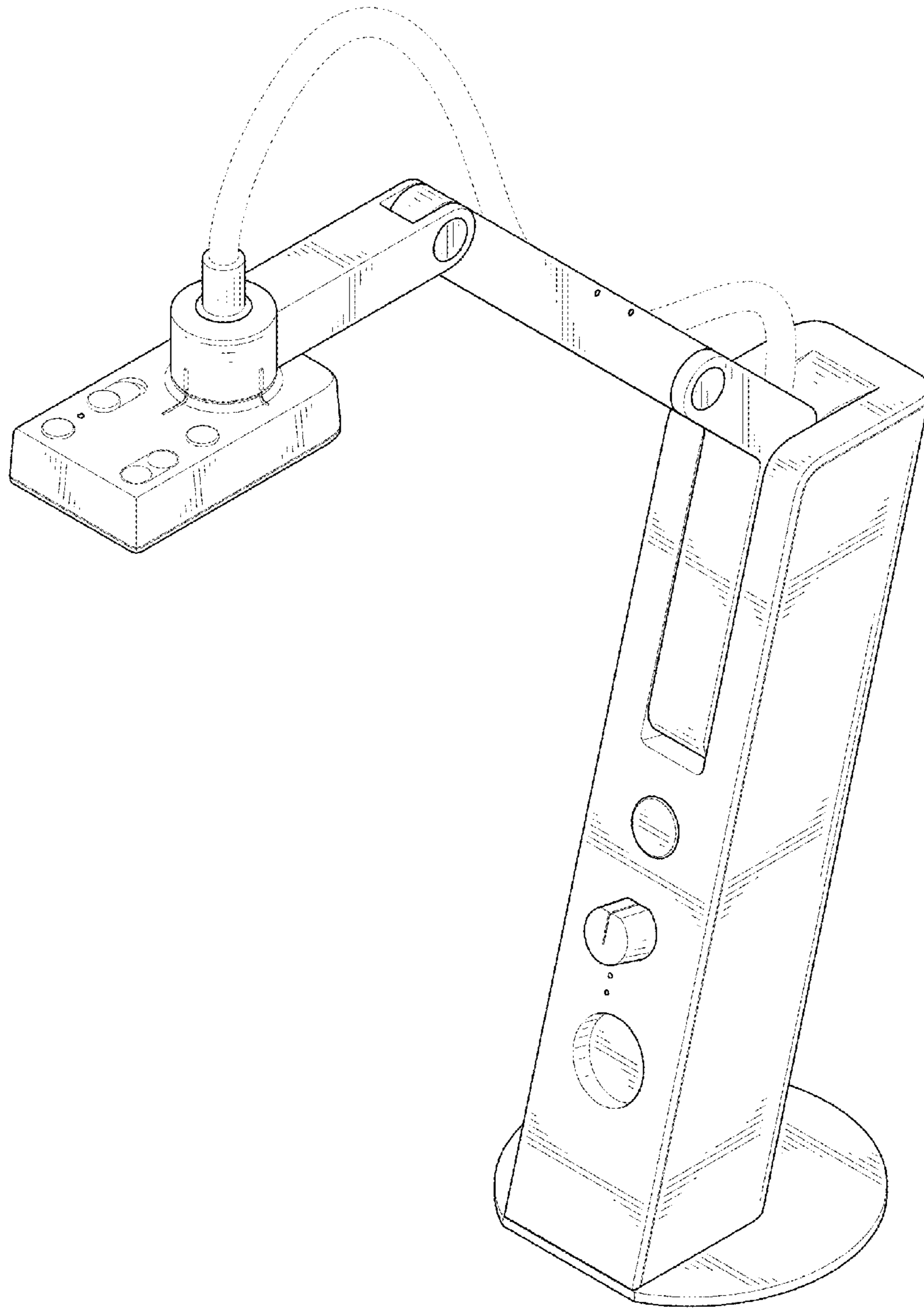


FIG.1

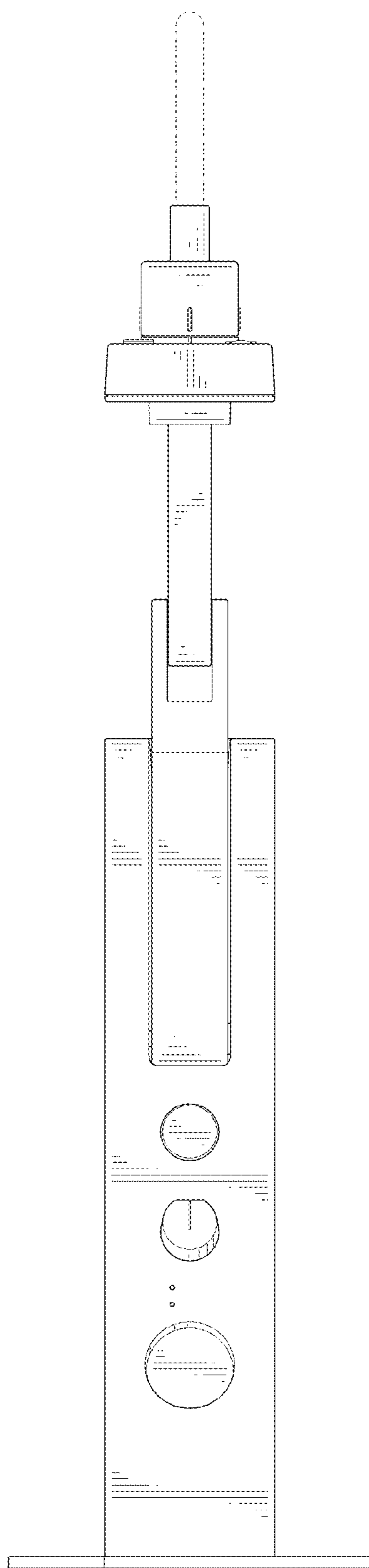


FIG.2

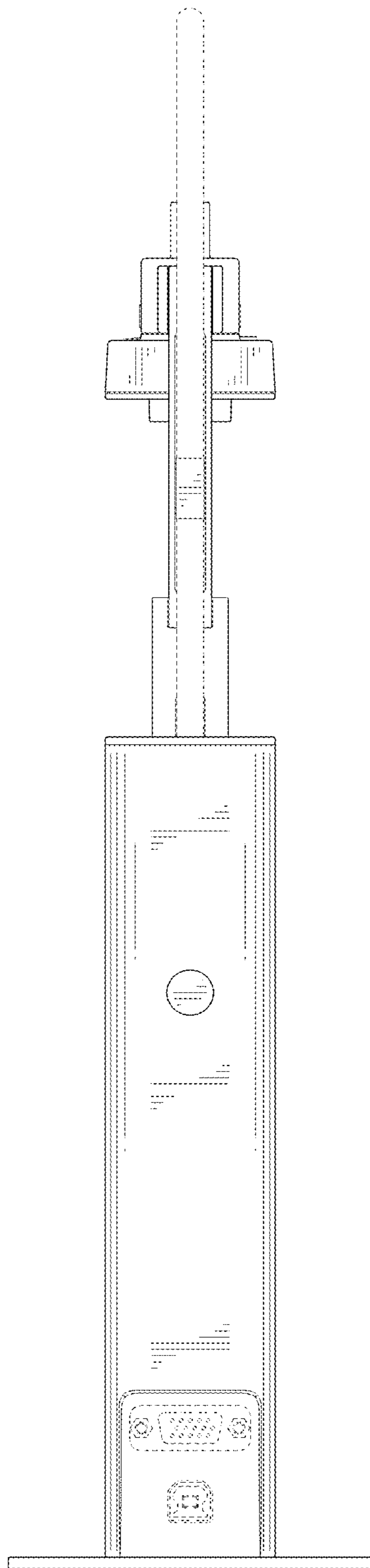


FIG.3

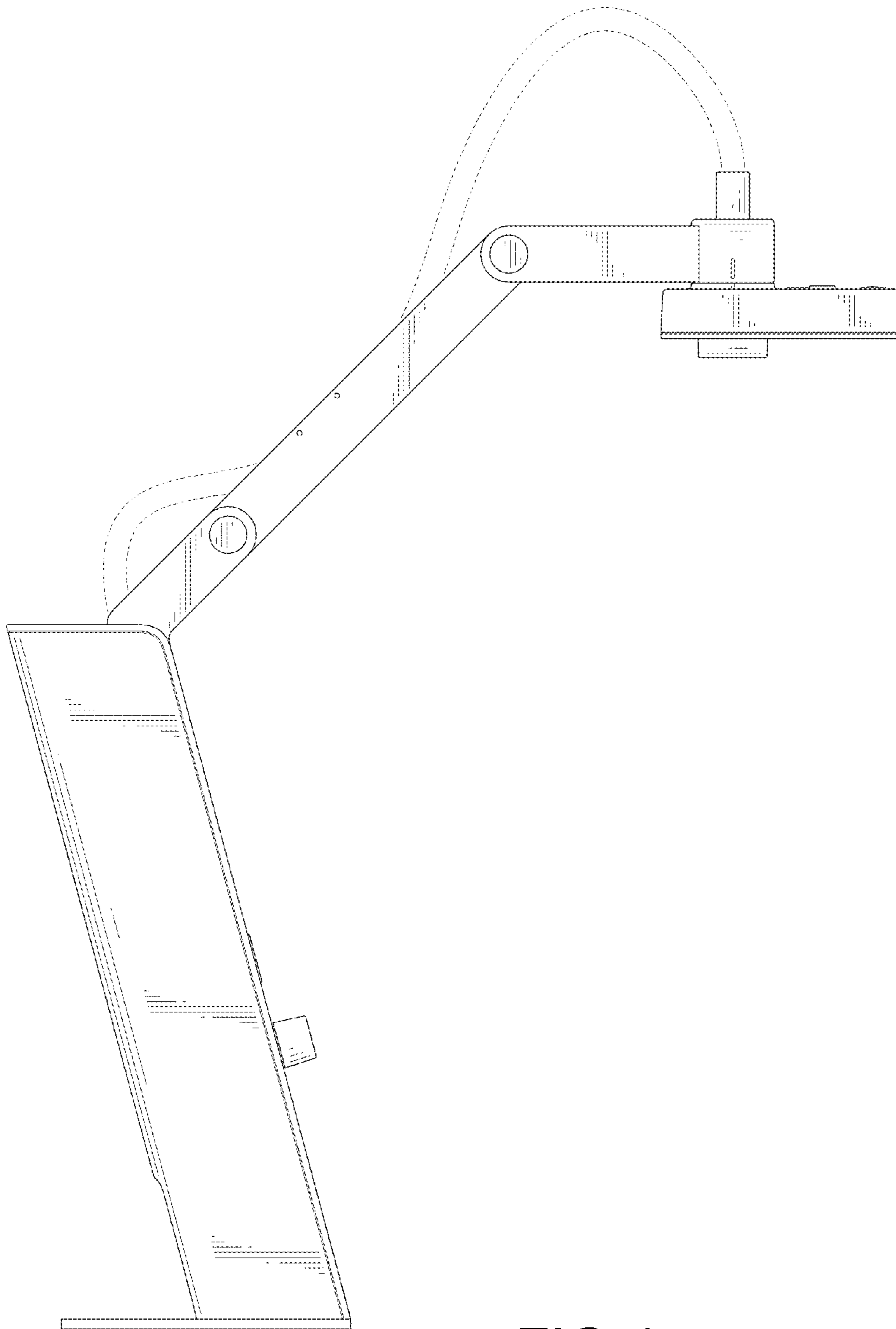


FIG.4

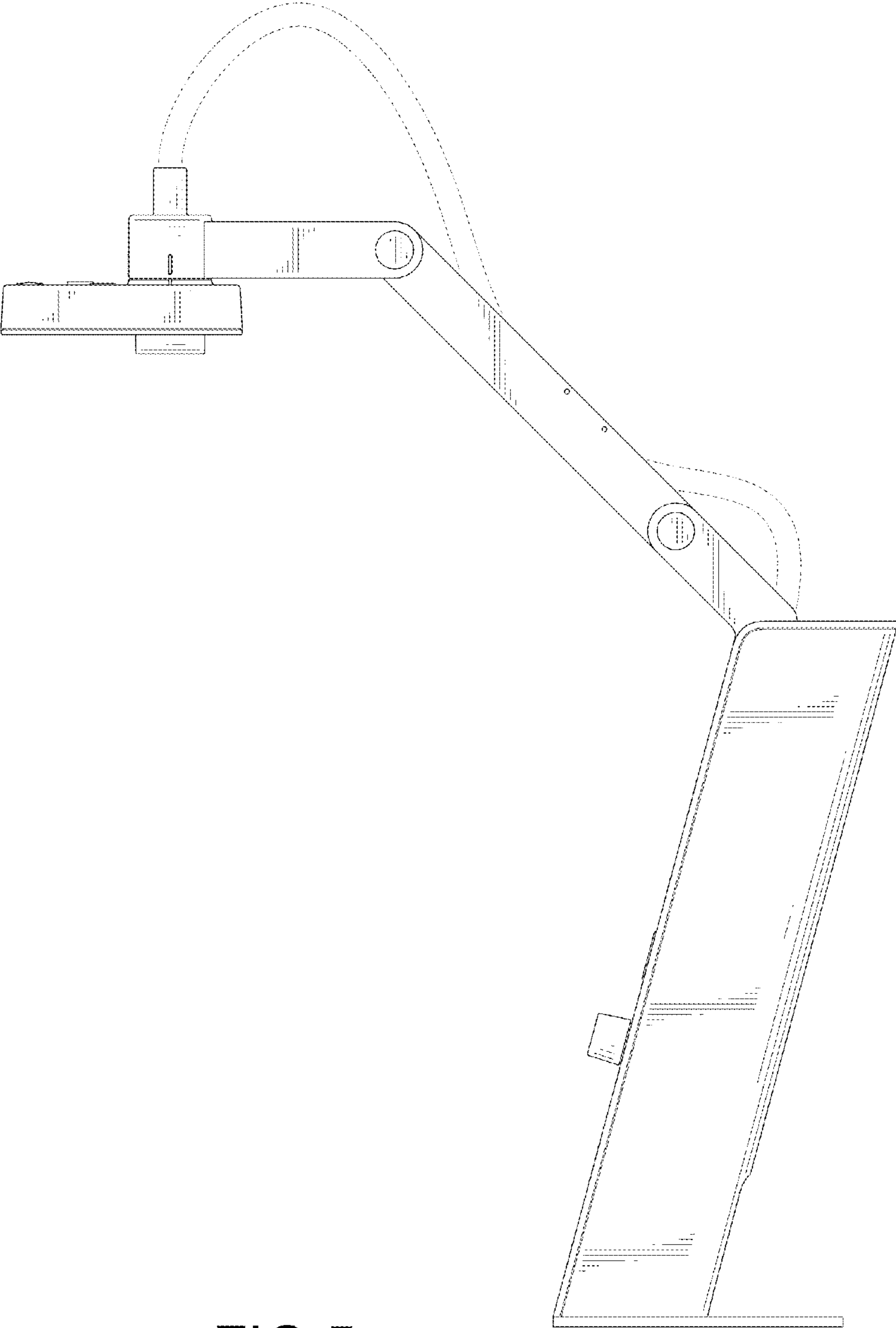


FIG.5

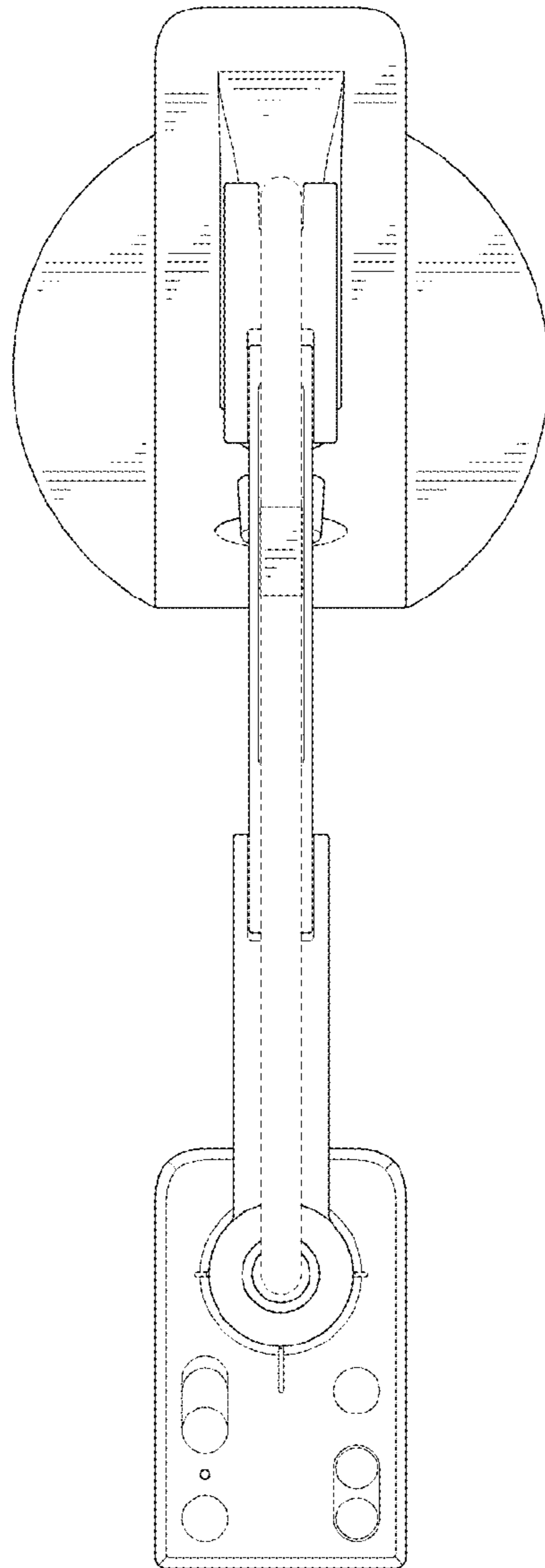


FIG.6

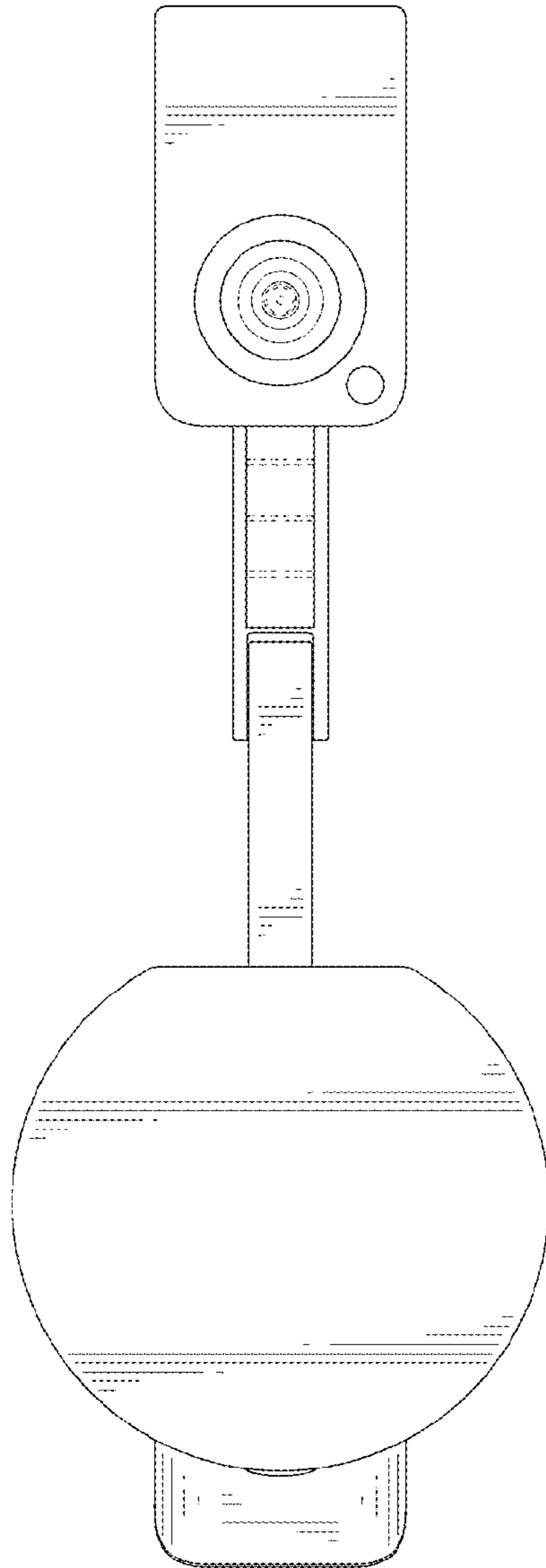


FIG.7

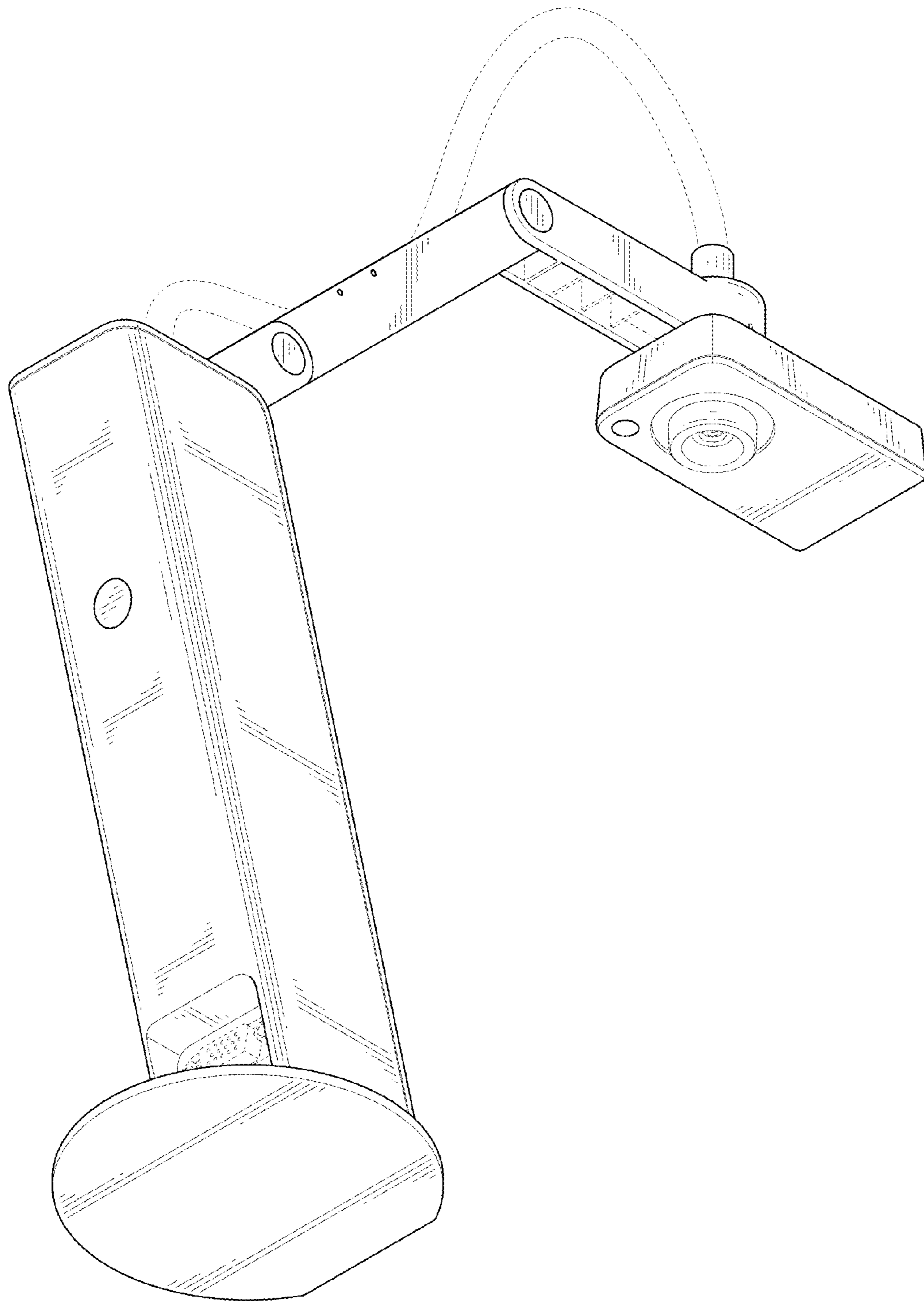


FIG.8

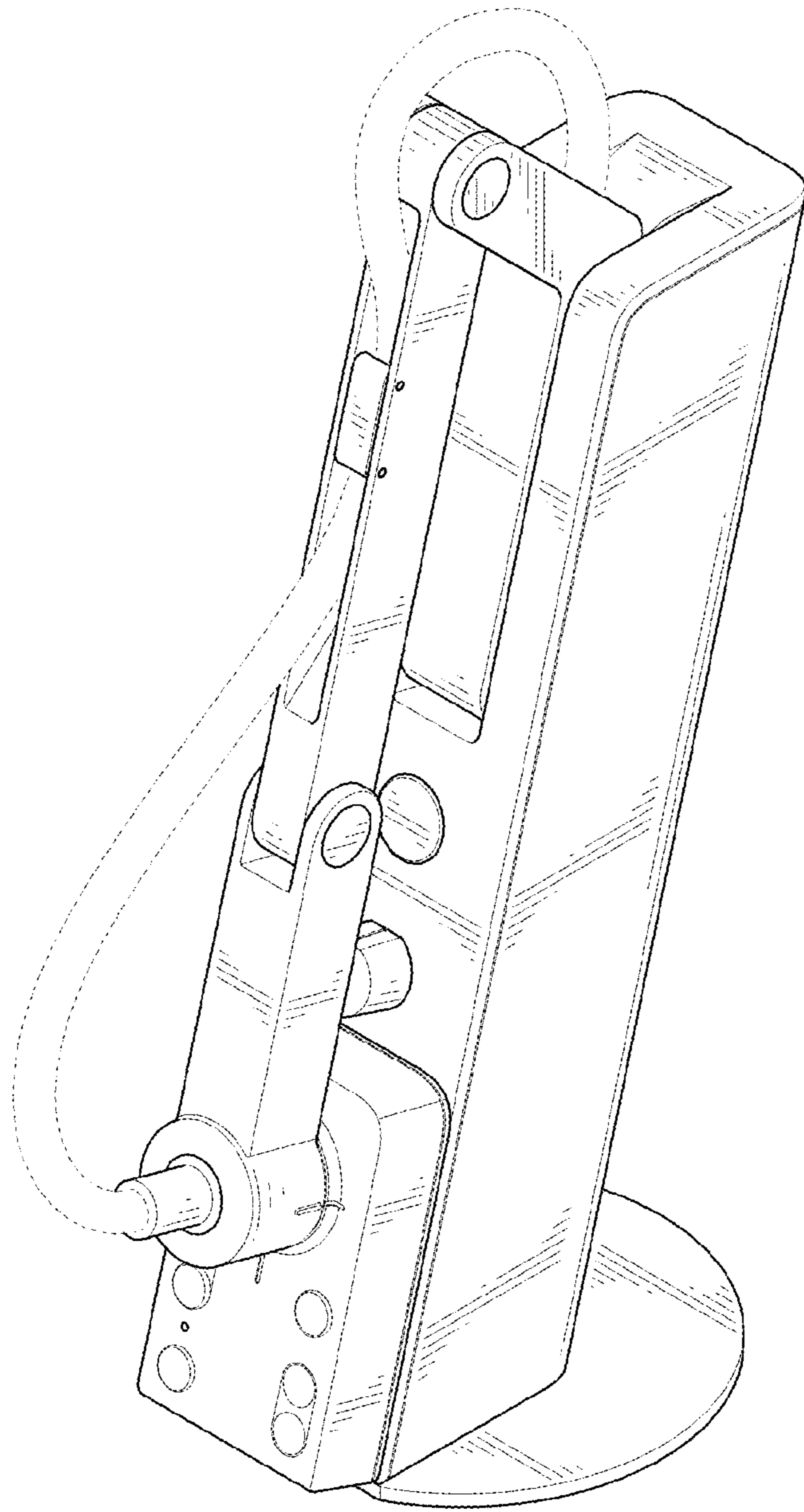


FIG.9