



US00D717854S

(12) **United States Design Patent**
Yasutomi et al.

(10) **Patent No.:** **US D717,854 S**

(45) **Date of Patent:** **** Nov. 18, 2014**

(54) **VIDEO CAMERA**

396/349, 448, 535, 536, 537, 538, 539,
396/540, 541

(71) Applicant: **Sony Corporation**, Tokyo (JP)

See application file for complete search history.

(72) Inventors: **Hiroshi Yasutomi**, Tokyo (JP);
Tomonari Murakami, Tokyo (JP)

(56) **References Cited**

(73) Assignee: **Sony Corporation**, Tokyo (JP)

U.S. PATENT DOCUMENTS

(**) Term: **14 Years**

429,445	A	*	6/1890	Hendryx	59/91
1,663,404	A	*	3/1928	Hands	273/317.5
D199,909	S	*	12/1964	Bedard, Jr.	D21/376
3,951,085	A	*	4/1976	Johnson et al.	114/266
4,537,001	A	*	8/1985	Uppstrom	52/608
4,682,154	A	*	7/1987	Fearon et al.	340/572.3
5,197,761	A	*	3/1993	Shirdavani	281/15.1
D339,599	S	*	9/1993	Tiffen	D16/219
D410,457	S	*	6/1999	Eyler	D14/432
D495,540	S	*	9/2004	Lipsztein	D6/511
D524,841	S		7/2006	Ikenaga	

(21) Appl. No.: **29/465,744**

(22) Filed: **Aug. 30, 2013**

Related U.S. Application Data

(62) Division of application No. 29/371,677, filed on Jun. 29, 2011, now Pat. No. Des. 690,758.

(Continued)

(30) **Foreign Application Priority Data**

FOREIGN PATENT DOCUMENTS

Dec. 29, 2010	(JP)	D2010-031572
Dec. 29, 2010	(JP)	D2010-031573
Dec. 29, 2010	(JP)	D2010-031574
Dec. 29, 2010	(JP)	D2010-031576
Dec. 29, 2010	(JP)	D2010-031593
Dec. 29, 2010	(JP)	D2010-031594
Dec. 29, 2010	(JP)	D2010-031596
Dec. 29, 2010	(JP)	D2010-031601
Dec. 29, 2010	(JP)	D2010-031602
Dec. 29, 2010	(JP)	D2010-031603
Dec. 29, 2010	(JP)	D2010-031605
Dec. 29, 2010	(JP)	D2010-031606
Dec. 29, 2010	(JP)	D2010-031608
Dec. 30, 2010	(JP)	D2010-031614

JP	D1389682	S	6/2010
JP	D1390257	S	6/2010
JP	D1401650	S	11/2010
JP	D1401651	S	11/2010

Primary Examiner — Cynthia Underwood

(74) *Attorney, Agent, or Firm* — Rader, Fishman & Grauer PLLC

(51) **LOC (10) Cl.** **16-05**

(52) **U.S. Cl.**
USPC **D16/219**

(58) **Field of Classification Search**
USPC D16/200, 202, 204, 208, 212, 218, 219;
348/373, 374, 375, 376; 358/909.1;

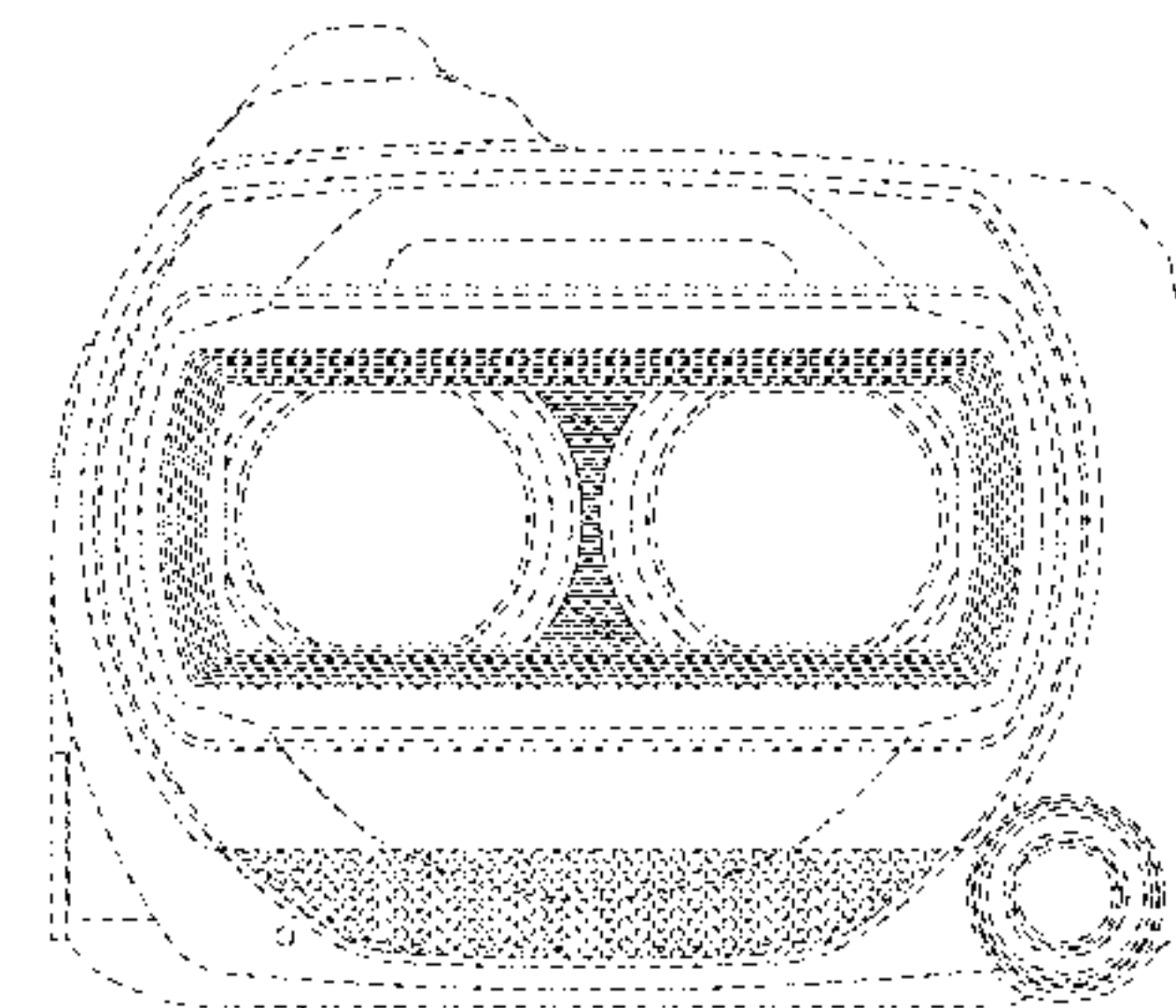
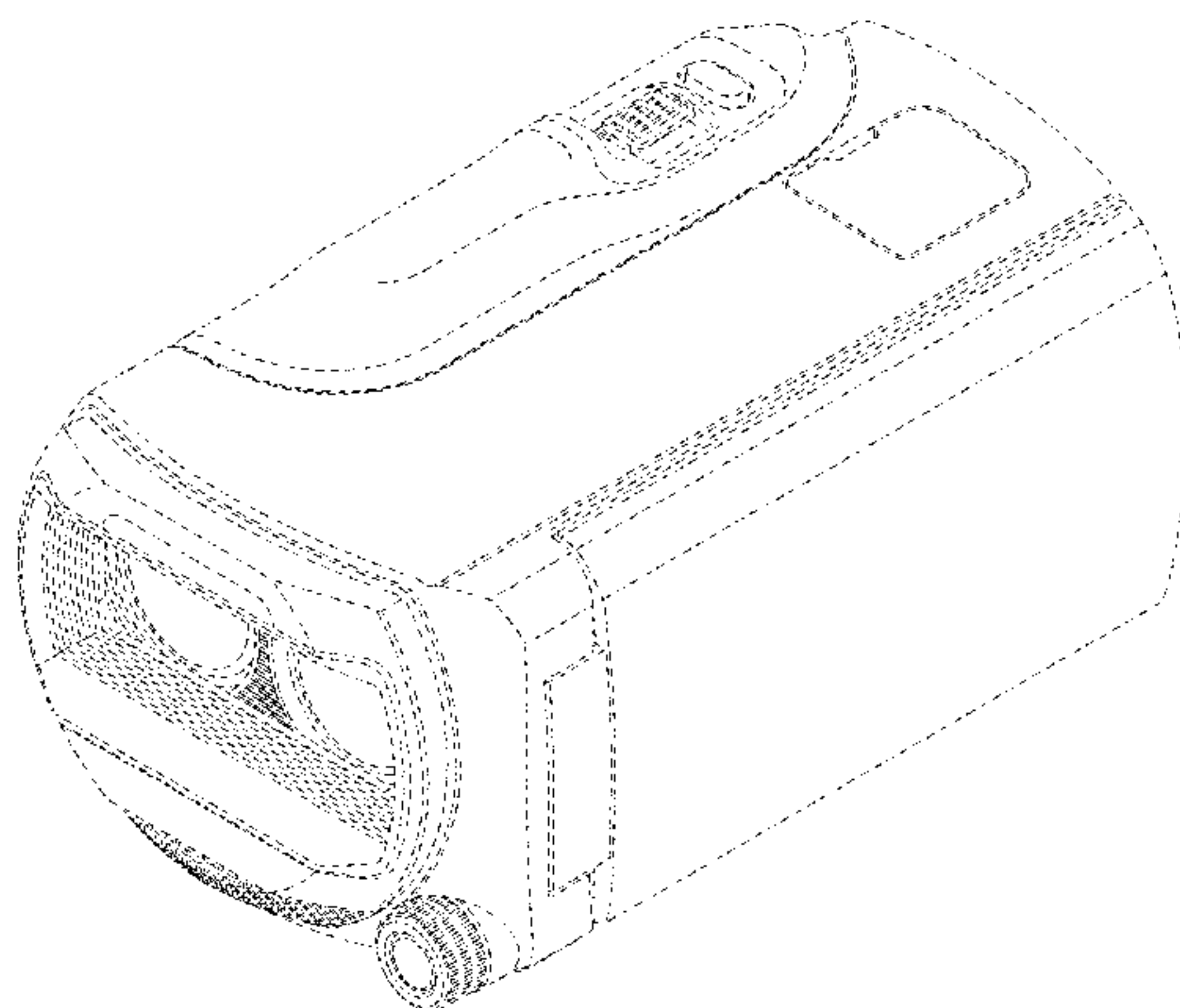
(57) **CLAIM**

The ornamental design for a video camera, as shown and described.

DESCRIPTION

FIG. 1 is a perspective view of a video camera showing my new design; and,
FIG. 2 is a front elevational view thereof.
Portions in broken lines are for illustrative purposes only and form no part of the claimed design.

1 Claim, 2 Drawing Sheets



(56)

References Cited

U.S. PATENT DOCUMENTS

D528,579 S *	9/2006	Yasutomi	D16/202	D620,965 S	8/2010	Takagi	
D534,195 S	12/2006	Ikenaga		D635,607 S *	4/2011	Takagi	D16/219
D566,153 S *	4/2008	Katsuraku	D16/218	D636,008 S *	4/2011	Yasutomi	D16/219
D589,073 S *	3/2009	Hibi	D16/218	D644,679 S *	9/2011	Woodman	D16/219
7,507,041 B2 *	3/2009	Ueda et al.	396/423	D648,363 S *	11/2011	Takagi et al.	D16/219
D598,635 S *	8/2009	Geoffrion et al.	D1/127	D652,853 S *	1/2012	Tsukamoto	D16/202
D608,812 S *	1/2010	Tainaka	D16/212	D654,943 S *	2/2012	Ogasawara et al.	D16/219
				D670,941 S *	11/2012	Vernon	D6/502
				D686,270 S *	7/2013	Kusuki	D16/235
				D690,758 S *	10/2013	Yasutomi et al.	D16/219

* cited by examiner

FIG. 1

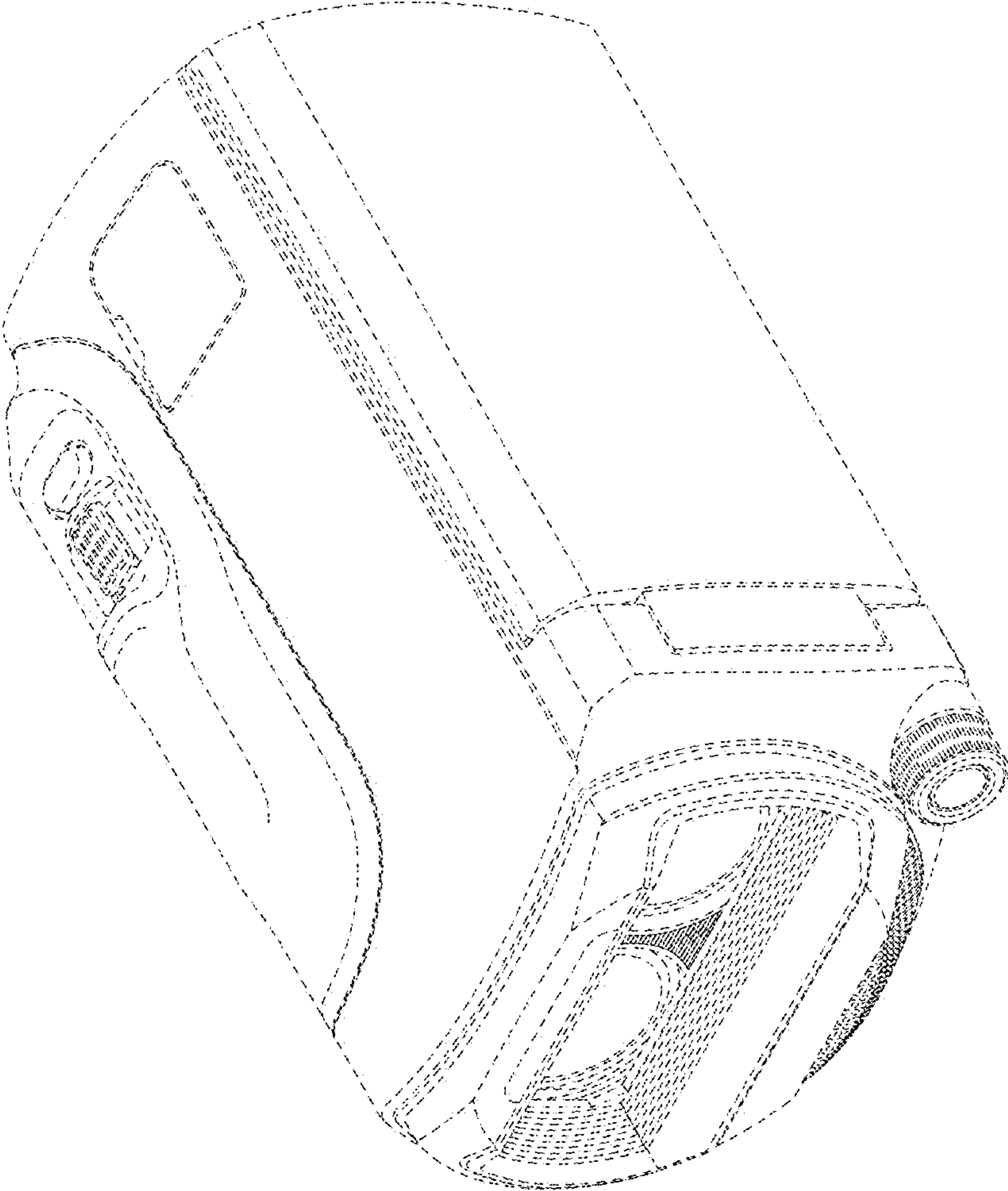


FIG.2

