



US00D717853S

(12) **United States Design Patent**
Noreng et al.

(10) **Patent No.:** **US D717,853 S**

(45) **Date of Patent:** **** Nov. 18, 2014**

(54) **CAMERA**

(75) Inventors: **Thomas Noreng**, Oslo (NO); **Knut Teppan**, Asker (NO); **Bjorn Saunes**, Oslo (NO)

(73) Assignee: **Cisco Technology, Inc.**, San Jose, CA (US)

(**) Term: **14 Years**

(21) Appl. No.: **29/425,205**

(22) Filed: **Jun. 20, 2012**

(51) **LOC (10) Cl.** **16-01**

(52) **U.S. Cl.**
USPC **D16/203**

(58) **Field of Classification Search**
CPC G03B 17/02; G03B 19/04; G03B 17/56;
G03B 17/04; G03B 15/03; H04N 5/2251;
H04N 5/2252; H04N 5/2253; H04N 5/2254;
H04N 7/181; H04N 7/183; H04N 7/18;
G08B 13/1963; G08B 13/19619; G08B
13/19632; F16M 11/04; F16M 13/00
USPC D16/200, 202–206, 218, 219, 242;
348/143, 148, 151, 373–376; 396/419,
396/427, 535, 539–541

See application file for complete search history.

(56) **References Cited**

U.S. PATENT DOCUMENTS

D458,289 S * 6/2002 Ogura D16/202
D458,621 S * 6/2002 Kawashima D16/202
D500,511 S * 1/2005 Sybilrud D16/203
6,880,987 B2 * 4/2005 Diana et al. 396/427

D510,374 S * 10/2005 Greenwood et al. D16/203
D536,719 S * 2/2007 Lukic et al. D16/202
D571,839 S * 6/2008 Andresen D16/202
D627,811 S * 11/2010 Andresen et al. D16/202
D634,345 S * 3/2011 Kim D16/203
D636,421 S * 4/2011 Sagen et al. D16/202
D647,937 S * 11/2011 Raken et al. D16/203
D656,531 S * 3/2012 Ahn et al. D16/202
2010/0157052 A1 * 6/2010 Chang 348/143

* cited by examiner

Primary Examiner — Adir Aronovich

Assistant Examiner — Ramzi Almatrahi

(74) *Attorney, Agent, or Firm* — Lempia Summerfield Katz LLC

(57) **CLAIM**

The ornamental design for a camera, as shown and described.

DESCRIPTION

FIG. 1 is a front, top, and left side perspective view of a camera;

FIG. 2 is a front, bottom, and left side perspective view thereof;

FIG. 3 is a rear, bottom, and right side perspective view thereof;

FIG. 4 is a left side elevational view thereof, the right side elevational view being a mirror image of the left side elevational view shown;

FIG. 5 is a front elevational view thereof;

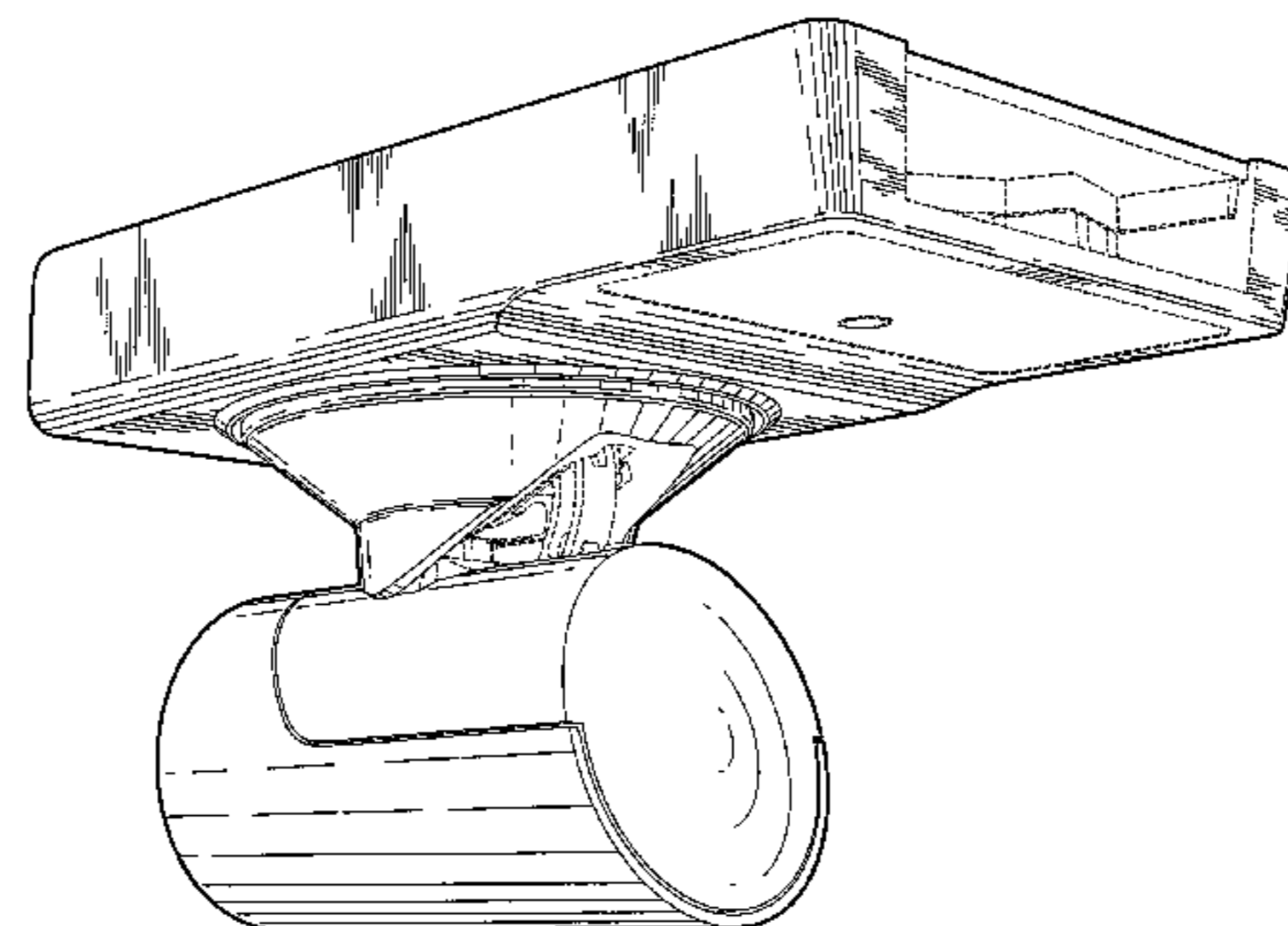
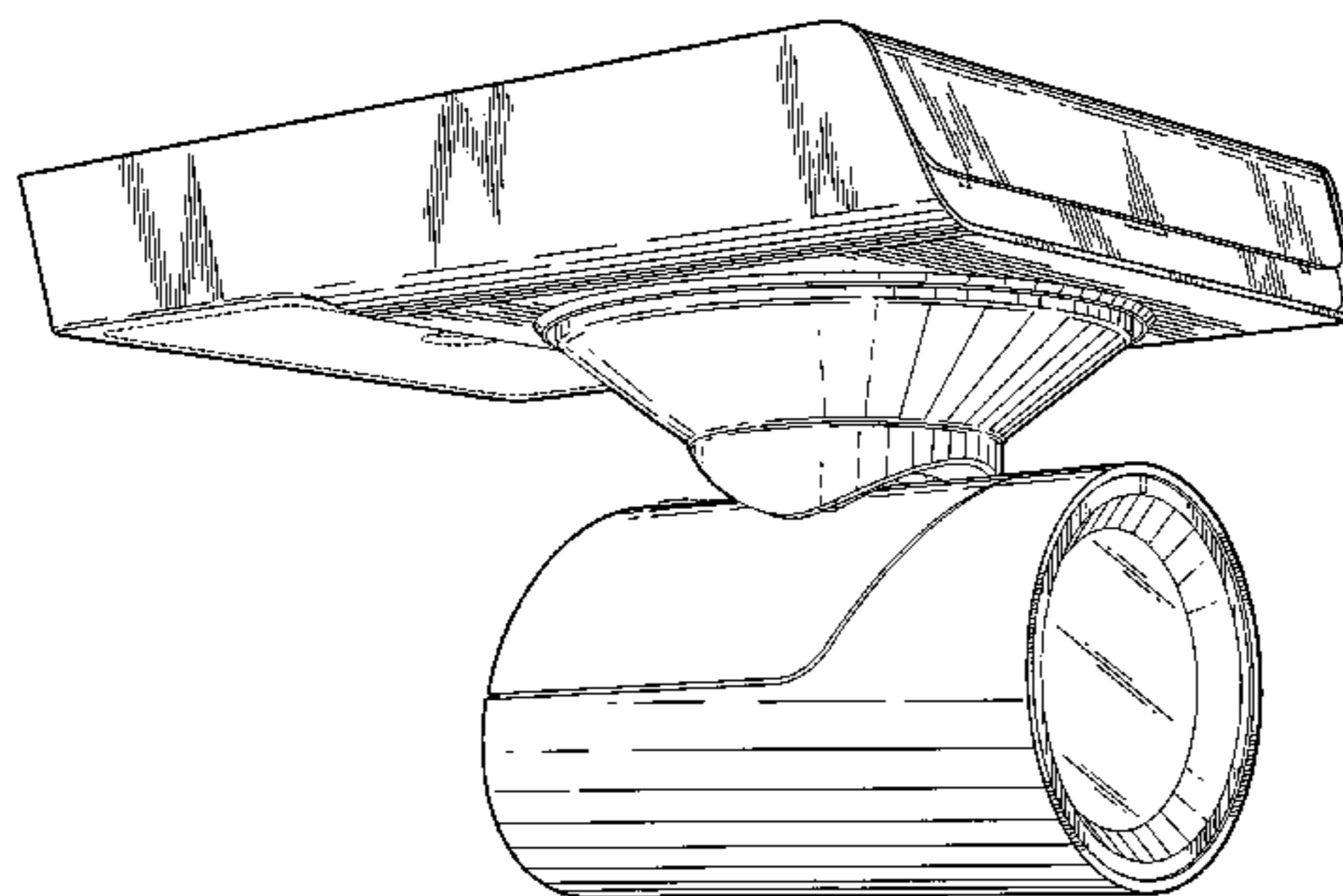
FIG. 6 is a rear elevational view thereof;

FIG. 7 is a bottom plan view thereof; and,

FIG. 8 is a top plan view thereof.

The broken lines depict portions of the camera in which the design is embodied and form no part of the claimed design.

1 Claim, 8 Drawing Sheets



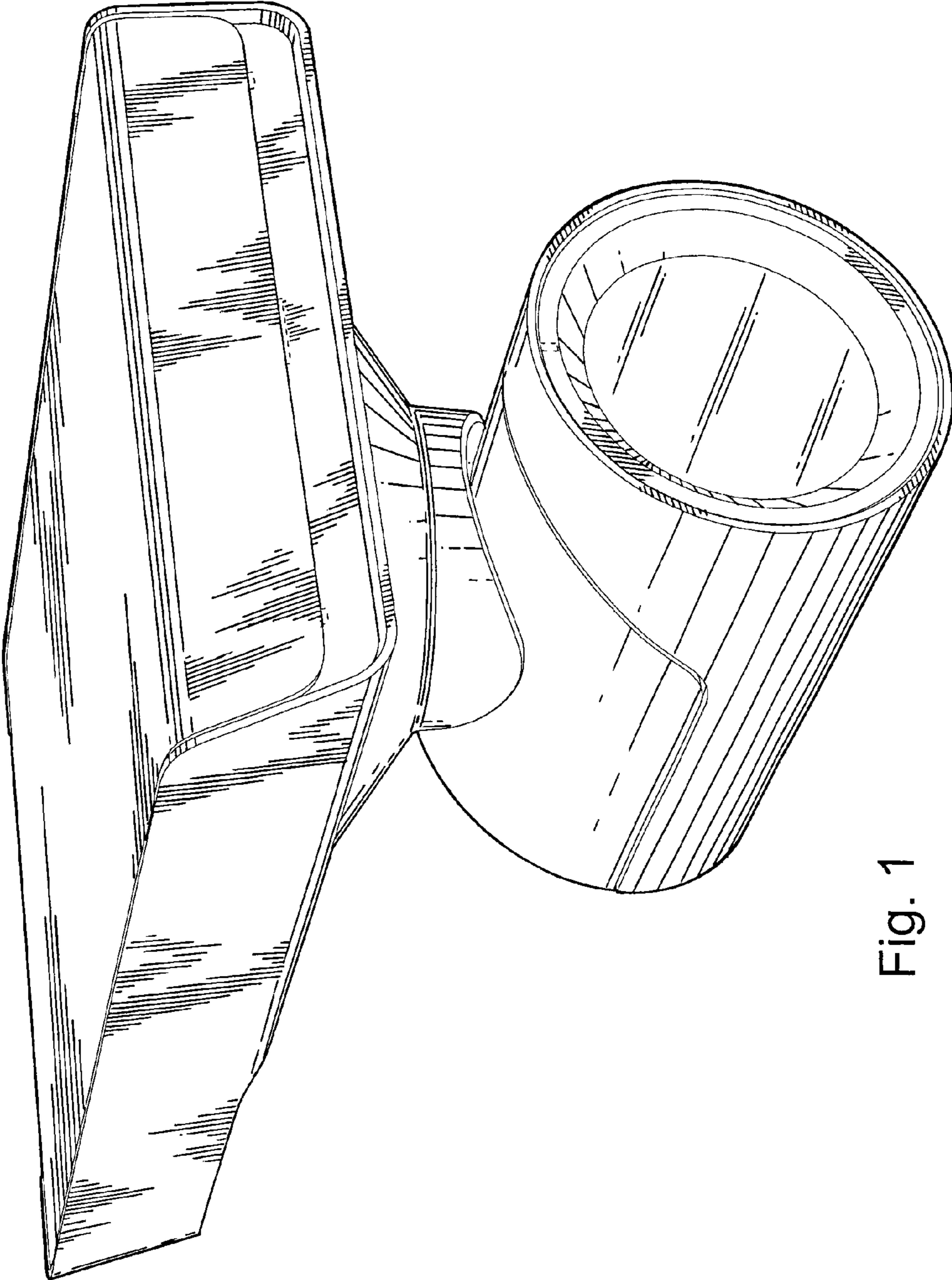


Fig. 1

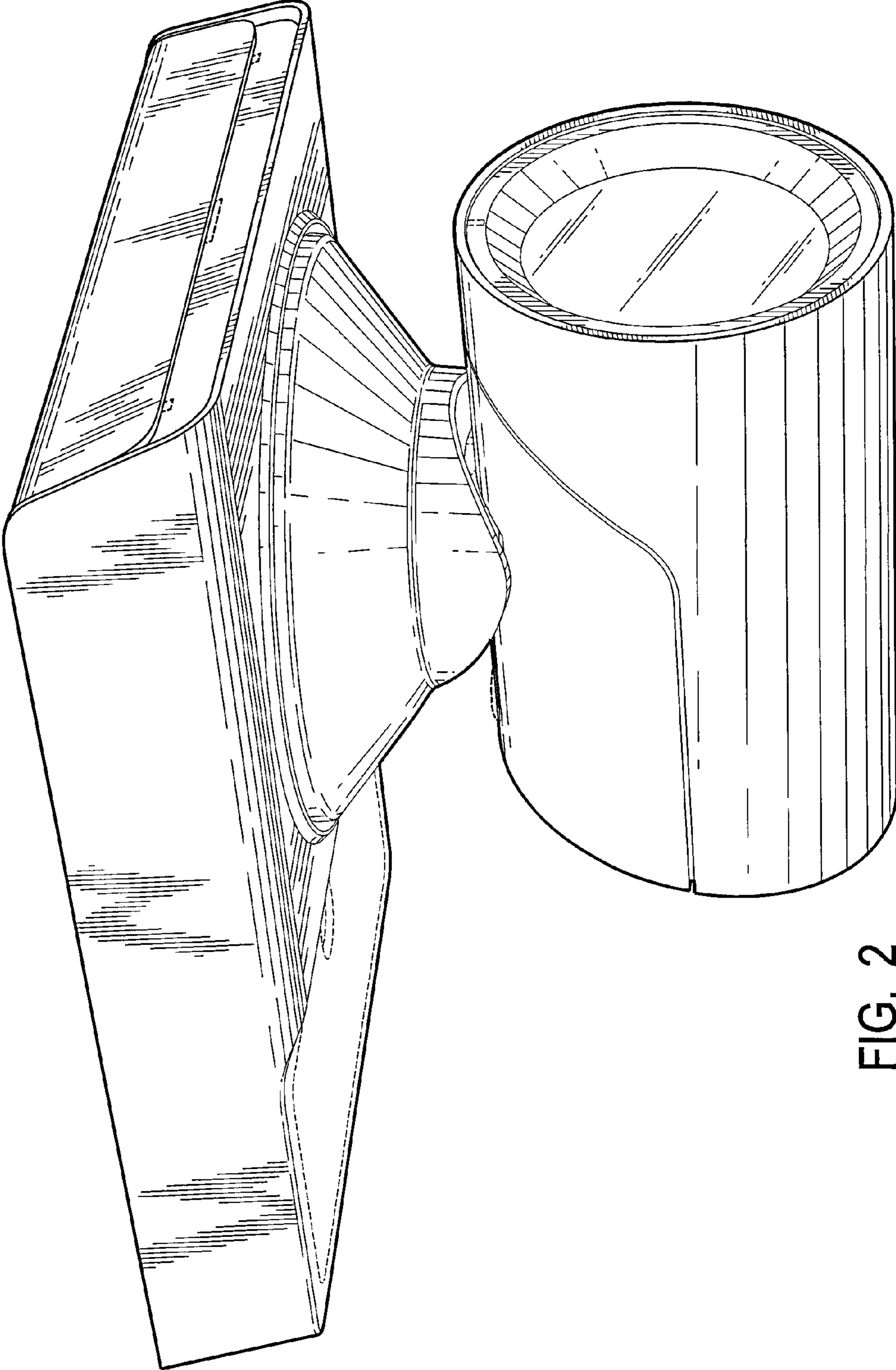


FIG. 2

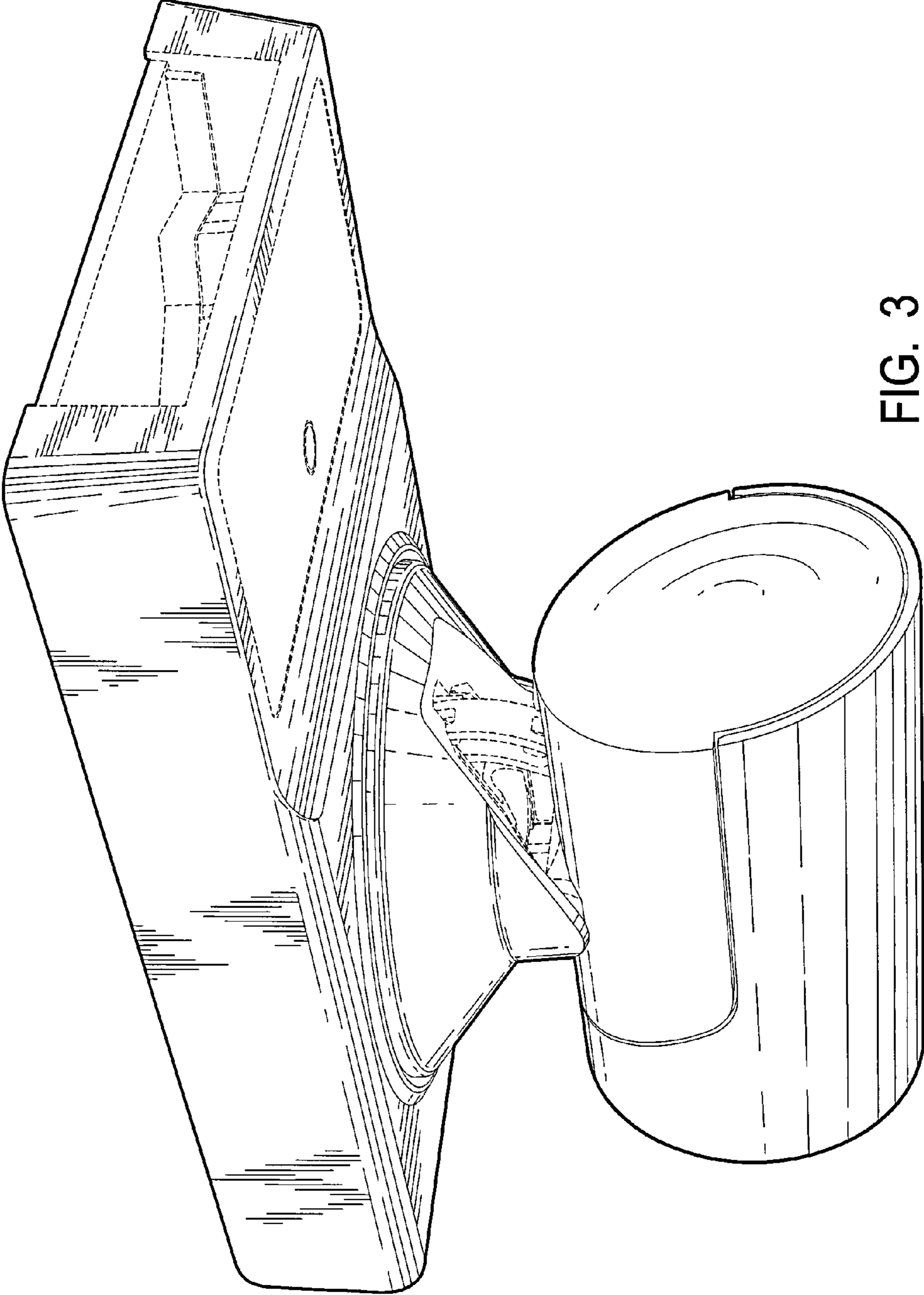


FIG. 3

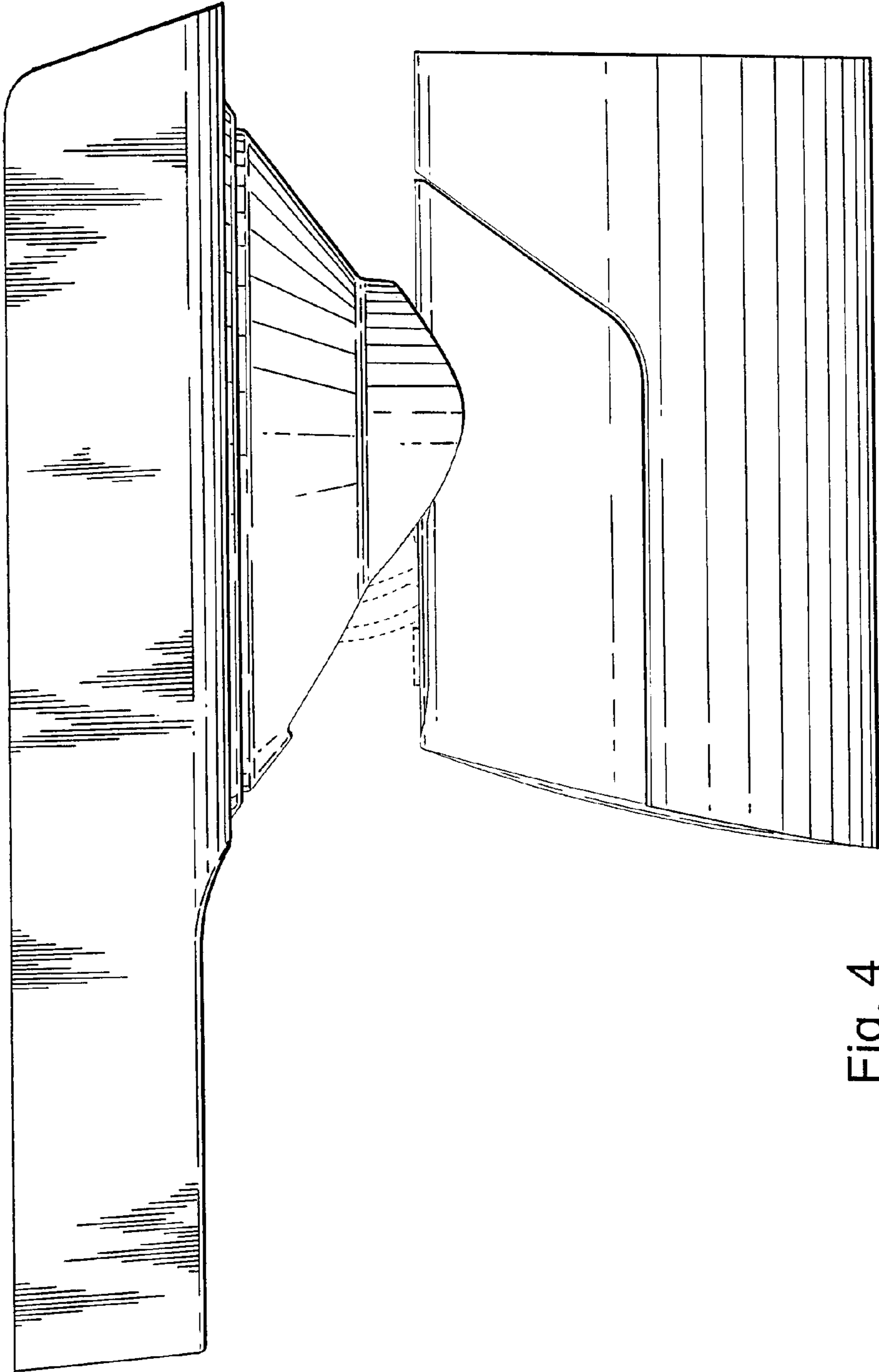


Fig. 4

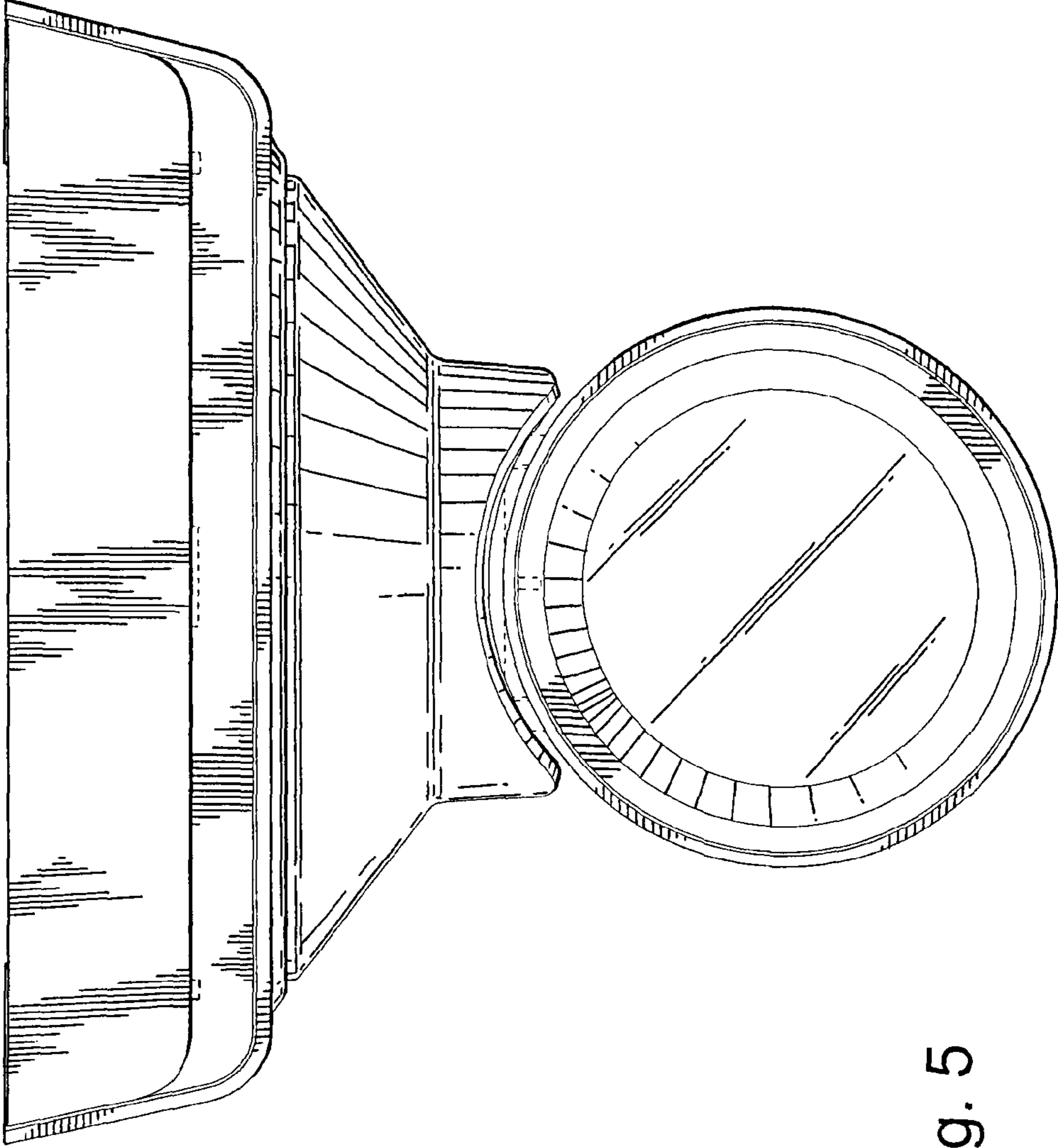


Fig. 5

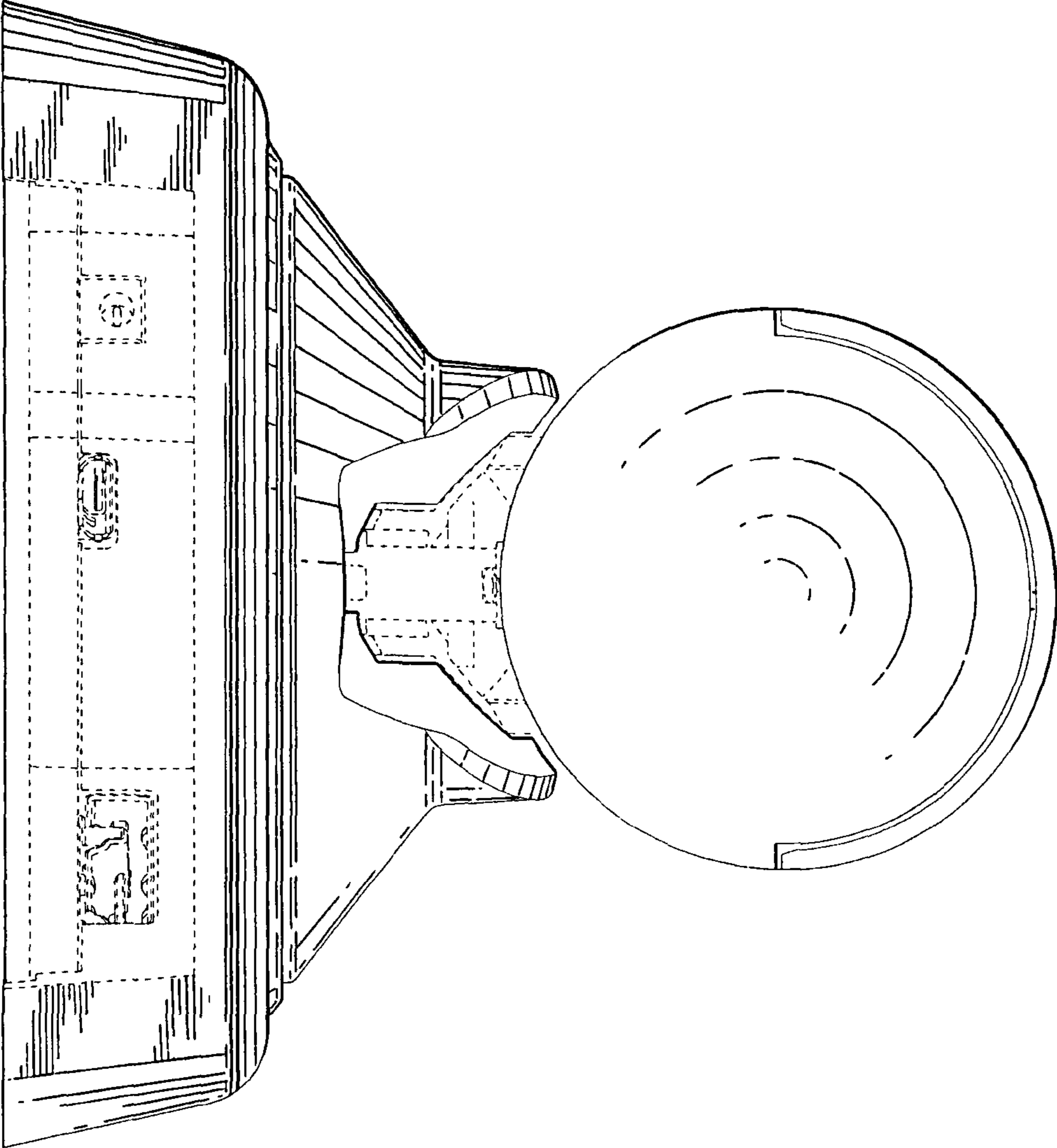


Fig. 6

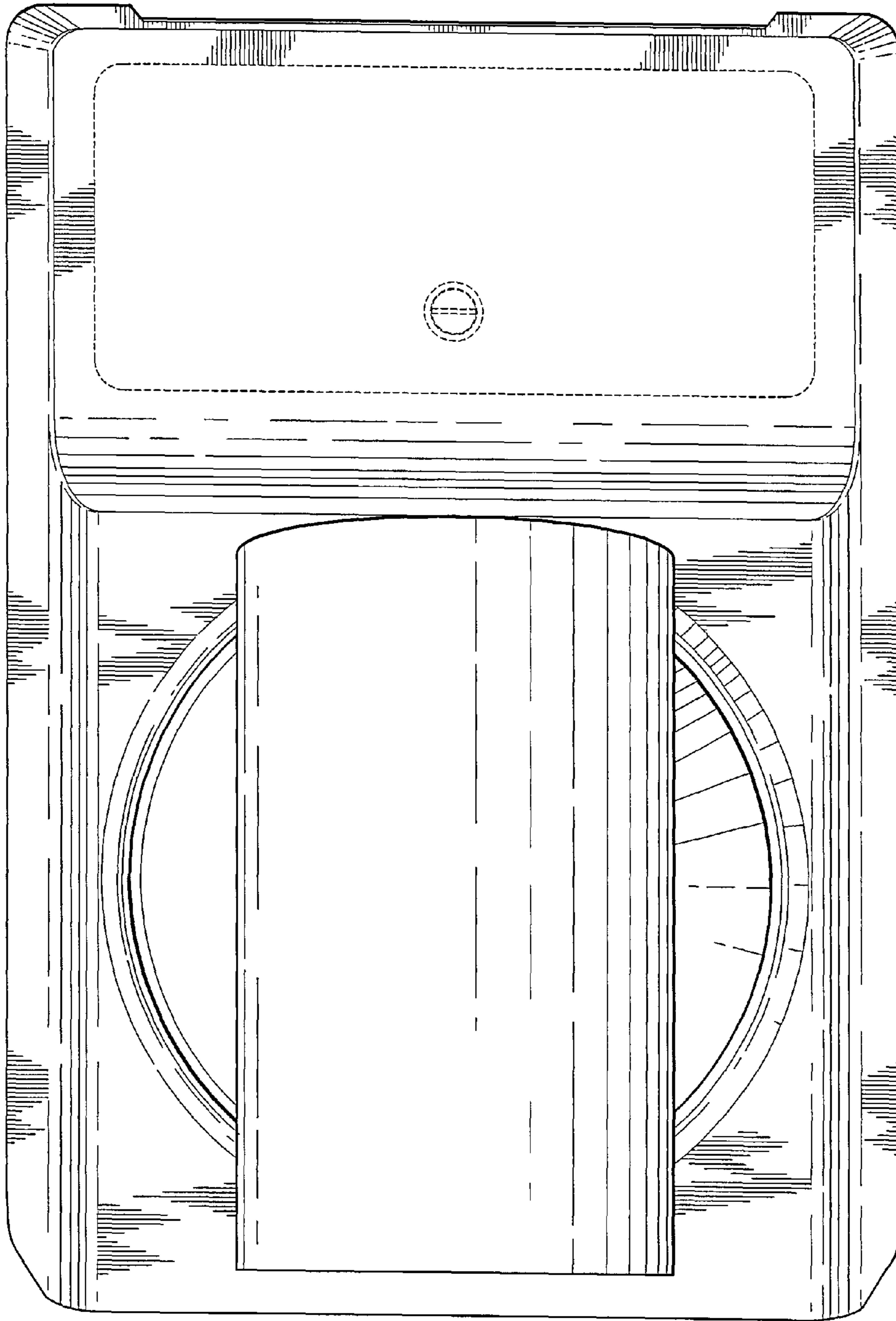


FIG. 7

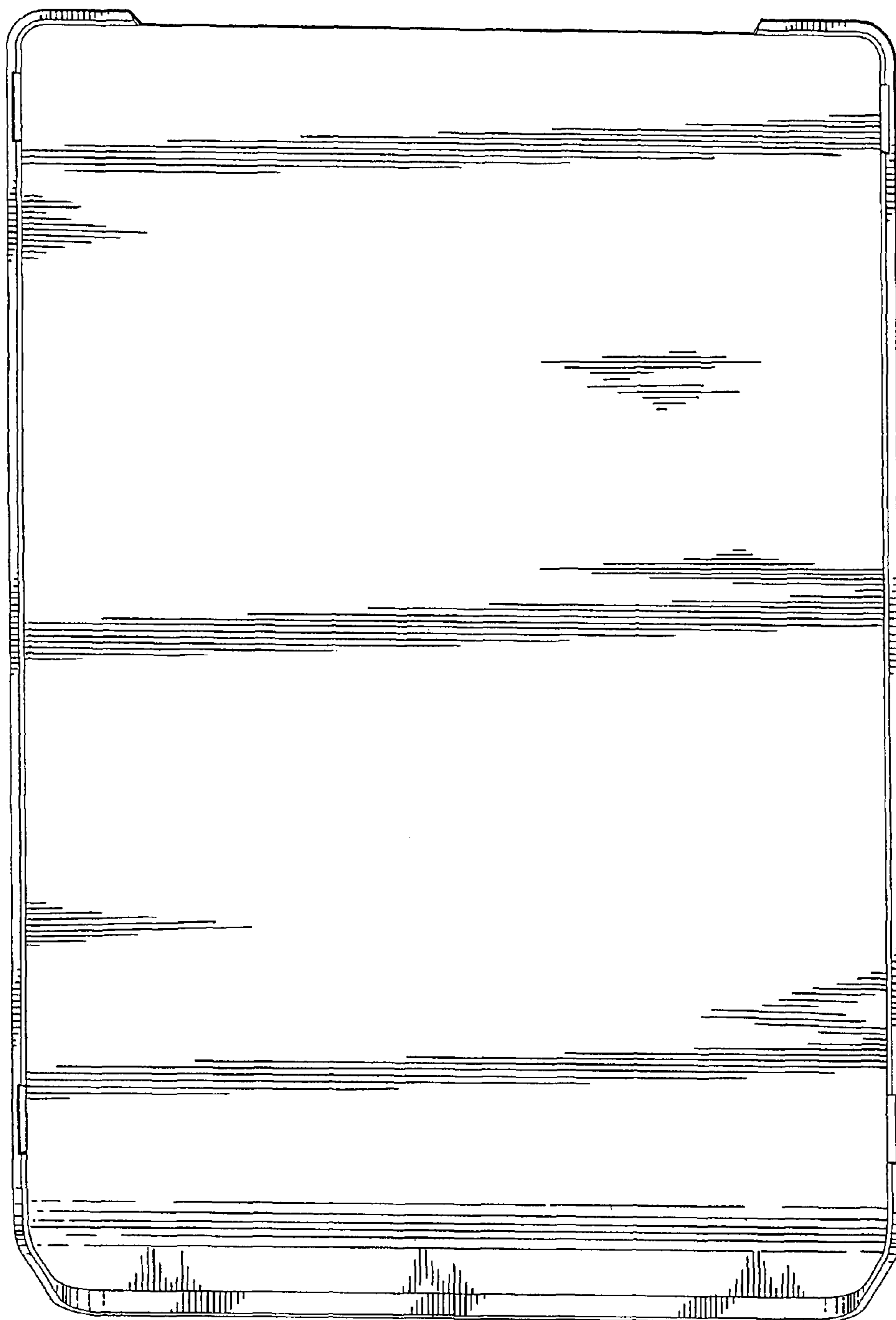


Fig. 8

UNITED STATES PATENT AND TRADEMARK OFFICE
CERTIFICATE OF CORRECTION

PATENT NO. : D717,853 S
APPLICATION NO. : 29/425205
DATED : November 18, 2014
INVENTOR(S) : Thomas Noreng et al.

Page 1 of 1

It is certified that error appears in the above-identified patent and that said Letters Patent is hereby corrected as shown below:

On the Title page item 30:

The following Foreign Application Priority Data should be added:

December 20, 2011 (NO) 20111036

Signed and Sealed this
Second Day of June, 2015



Michelle K. Lee
Director of the United States Patent and Trademark Office