



US00D717852S

(12) **United States Design Patent**  
**Kim et al.**

(10) **Patent No.:** **US D717,852 S**  
(45) **Date of Patent:** **\*\* Nov. 18, 2014**

(54) **DIGITAL CAMERA**

(71) Applicant: **Samsung Electronics Co., Ltd.**,  
Gyeonggi-do (KR)  
(72) Inventors: **Joo-Hyung Kim**, Seoul (KR); **Seungho Jang**,  
Sungnam-si (KR)  
(73) Assignee: **Samsung Electronics Co., Ltd.**,  
Suwon-si (KR)  
(\*\*) Term: **14 Years**

(21) Appl. No.: **29/449,355**

(22) Filed: **Mar. 15, 2013**

(30) **Foreign Application Priority Data**

Sep. 28, 2012 (KR) ..... 30-2012-0047009

(51) **LOC (10) Cl.** ..... **16-01**

(52) **U.S. Cl.**  
USPC ..... **D16/202**

(58) **Field of Classification Search**  
CPC ..... G03B 15/03; G03B 17/02; G03B 17/04;  
G03B 17/56; G03B 19/04; H04N 5/2251;  
H04N 5/2252; H04N 5/2253; H04N 5/2254;  
H04N 2101/00  
USPC ..... D16/200, 202–206, 208, 209, 218, 219;  
348/373–376; 396/535, 539–541  
See application file for complete search history.

(56) **References Cited**

U.S. PATENT DOCUMENTS

D546,862	S	*	7/2007	Tainaka	.....	D16/219
D601,603	S	*	10/2009	Jang et al.	.....	D16/202
7,646,426	B2	*	1/2010	Saiki et al.	.....	348/373
7,792,424	B2	*	9/2010	Chen	.....	396/540
8,248,522	B2	*	8/2012	Hsieh et al.	.....	348/373
D681,712	S	*	5/2013	Kim et al.	.....	D16/202
D682,334	S	*	5/2013	InShik et al.	.....	D16/202
D688,719	S	*	8/2013	Imai	.....	D16/202
D689,109	S	*	9/2013	Kim et al.	.....	D16/202
2013/0051786	A1	*	2/2013	Matsuzawa	.....	396/535

\* cited by examiner

*Primary Examiner* — Philip S Hyder

*Assistant Examiner* — Ramzi Almatrahi

(74) *Attorney, Agent, or Firm* — Ladas & Parry LLP

(57) **CLAIM**

We the ornamental design for a digital camera, as shown.

**DESCRIPTION**

FIG. 1 is a front, left and top perspective view of a digital camera showing our new design;  
FIG. 2 is a front-side elevational view thereof;  
FIG. 3 is a rear-side elevational view thereof;  
FIG. 4 is a left-side elevational view thereof;  
FIG. 5 is a right-side elevational view thereof;  
FIG. 6 is a top-side elevational view thereof; and,  
FIG. 7 is a bottom-side elevational view thereof.

**1 Claim, 6 Drawing Sheets**

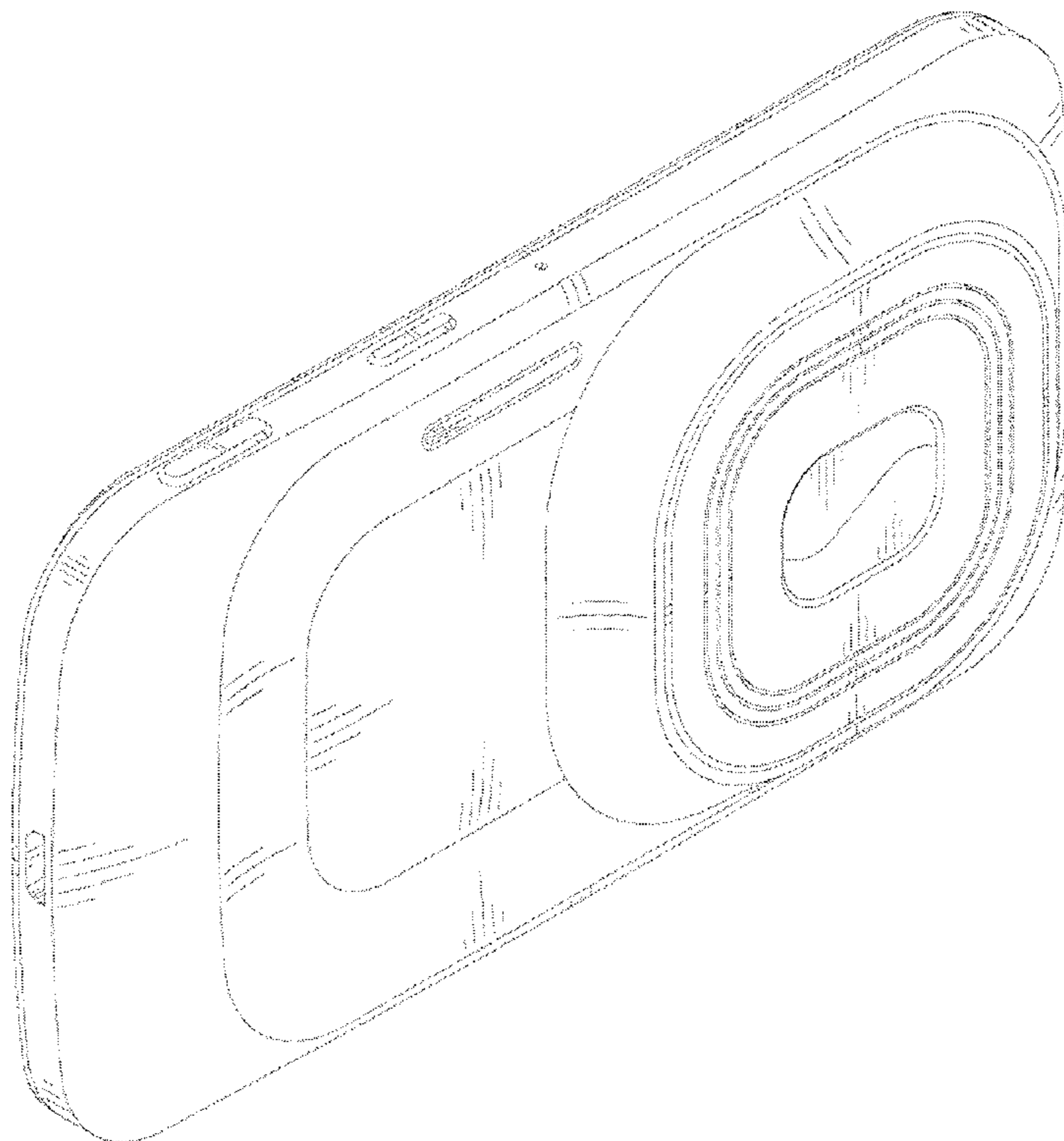


Fig. 1

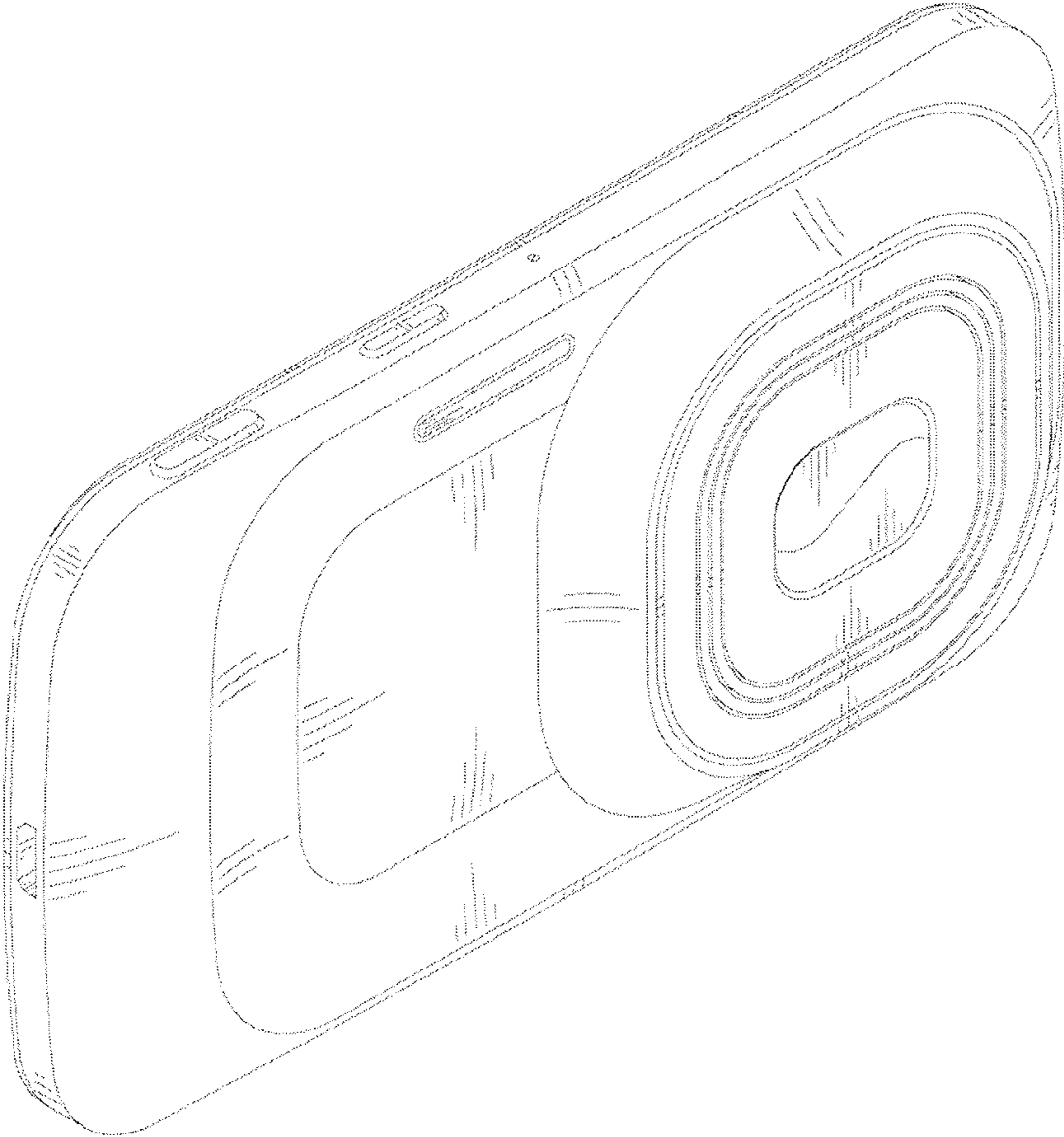


Fig. 2

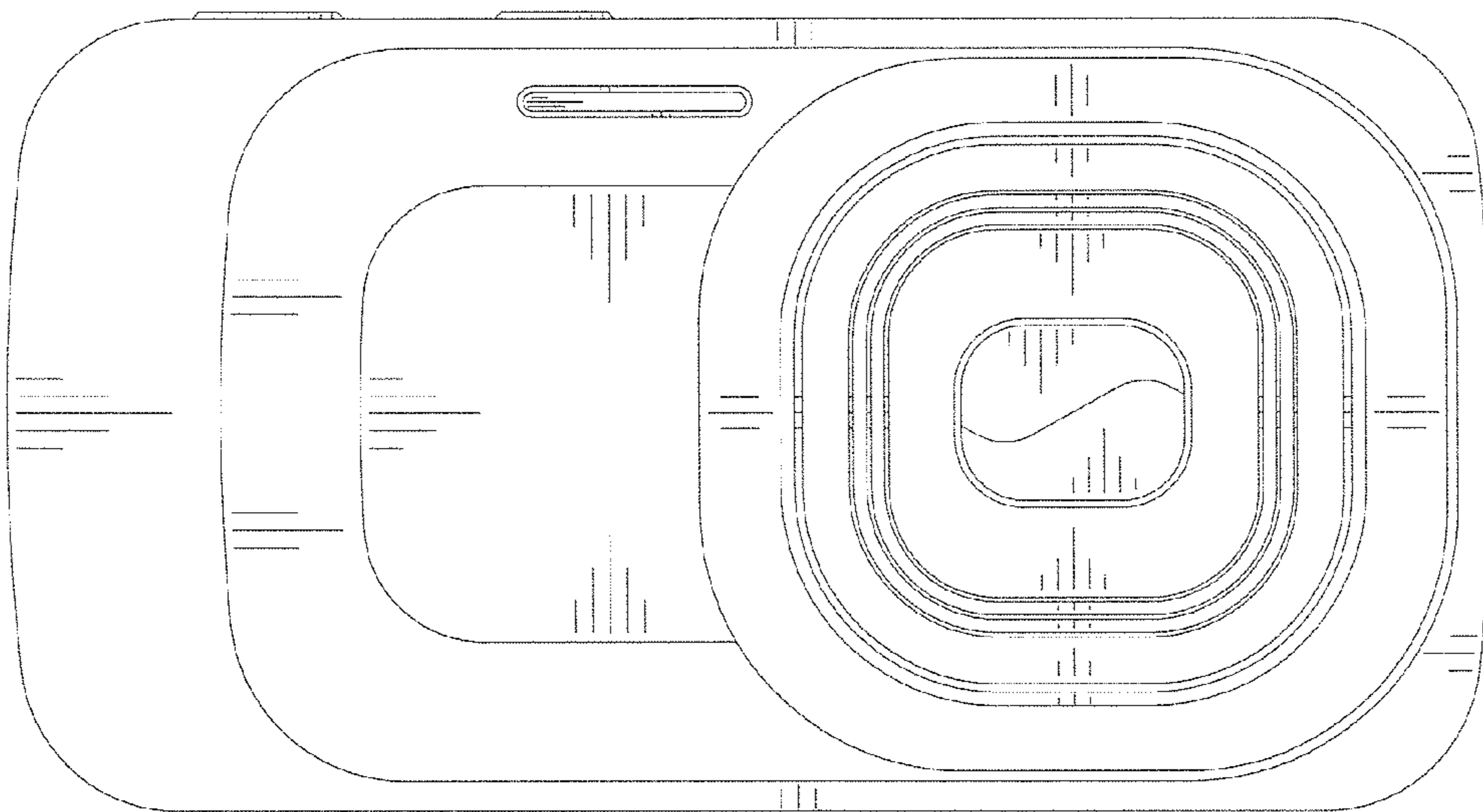


Fig. 3

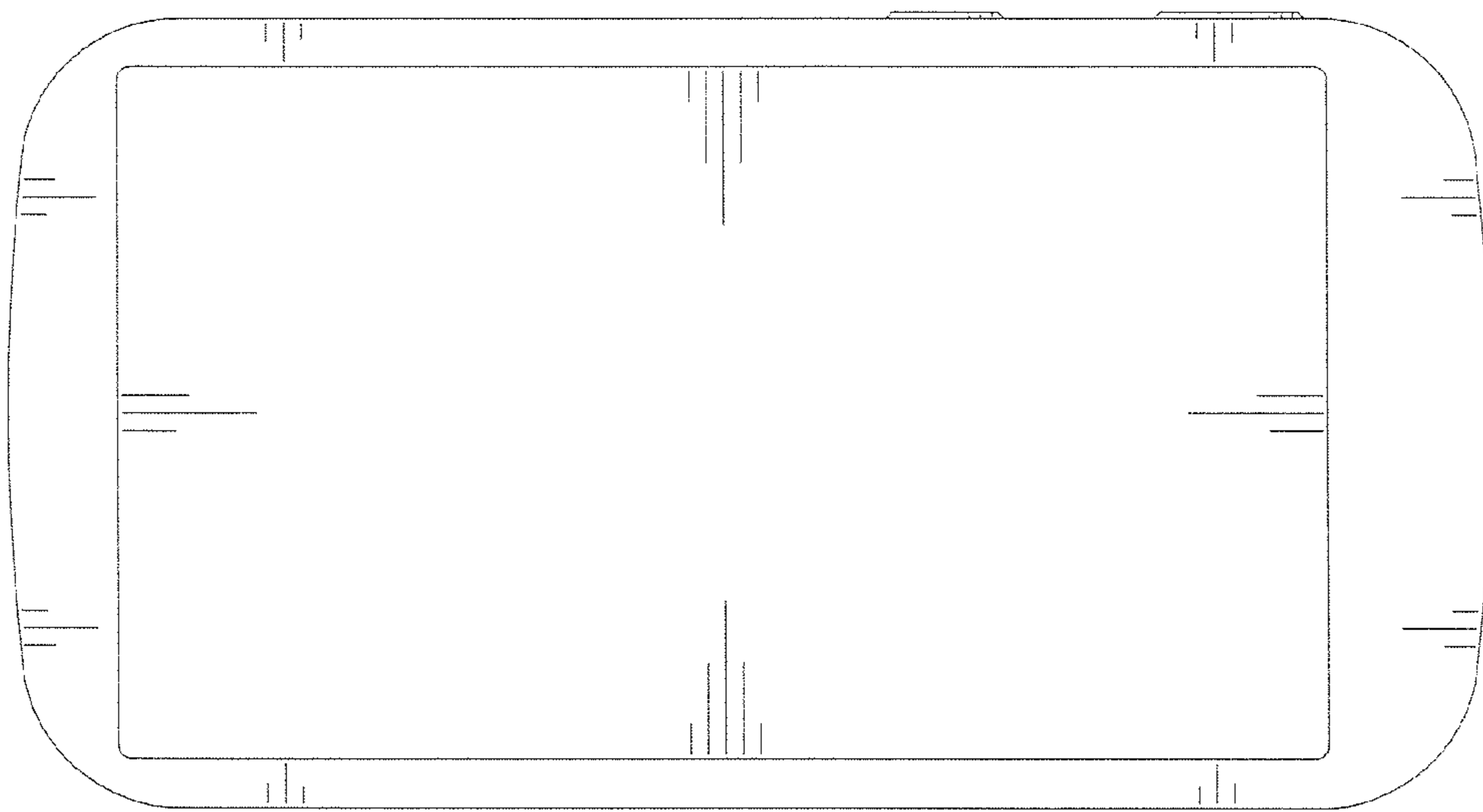


Fig. 4

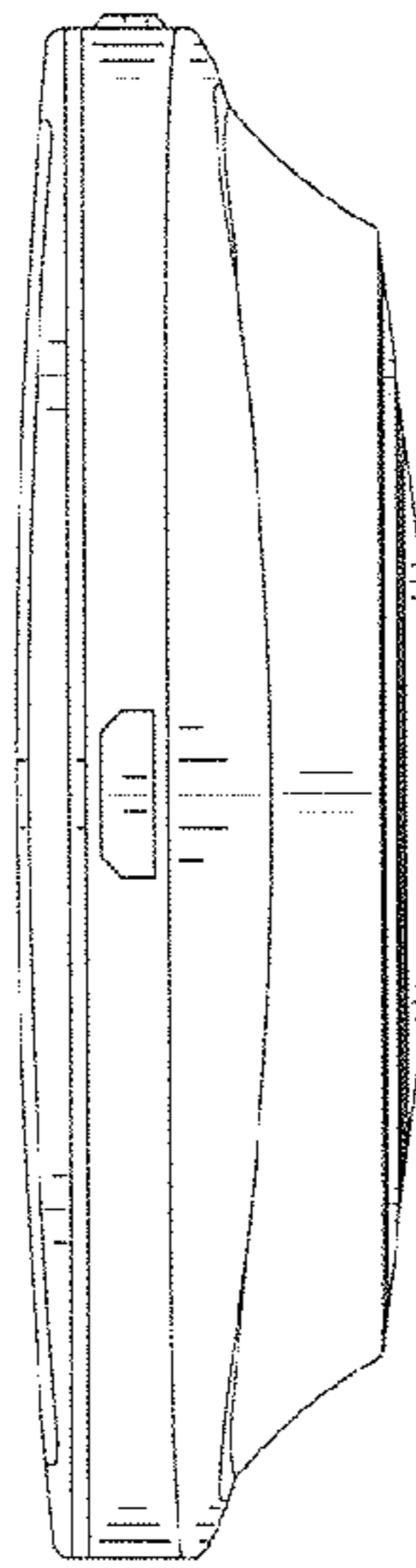


Fig. 5

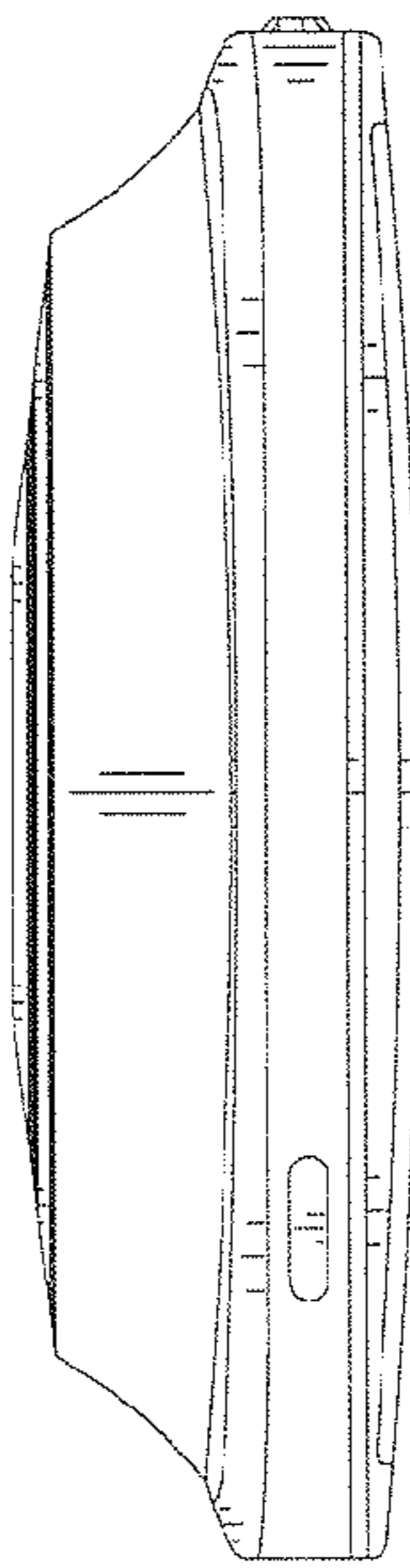


Fig. 6

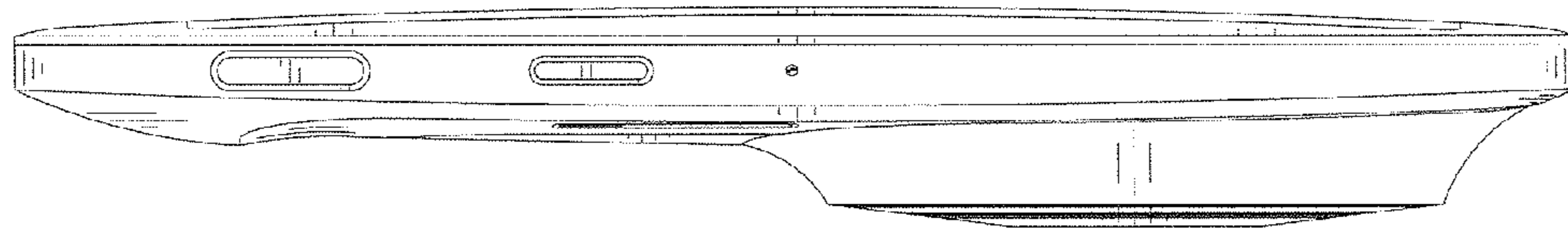


Fig. 7

