



US00D717850S

(12) **United States Design Patent**
Kawai

(10) **Patent No.:** **US D717,850 S**

(45) **Date of Patent:** **** Nov. 18, 2014**

(54) **DEPOSITION MACHINE**

(71) Applicant: **Shimadzu Corporation**, Kyoto (JP)

(72) Inventor: **Jun Kawai**, Kyoto (JP)

(73) Assignee: **Shimadzu Corporation**, Kyoto (JP)

(**) Term: **14 Years**

(21) Appl. No.: **29/461,154**

(22) Filed: **Jul. 19, 2013**

(30) **Foreign Application Priority Data**

Mar. 13, 2013 (JP) 2013-005557

(51) **LOC (10) Cl.** **15-99**

(52) **U.S. Cl.**
USPC **D15/199**

(58) **Field of Classification Search**
CPC C23C 16/54; C23C 16/56; C23C 16/509;
C23C 16/4412; C23C 16/45502; B29C 53/36;
B29C 65/00; B29C 65/20; B29C 65/342;
B29C 65/3432; B29C 65/3476; B29C 66/43;
B29C 66/80; B29C 66/474; B29C 66/1122;
G01N 21/68; H01J 37/32935; H01J 37/32972;
H01J 37/321; H01J 37/32357; H01J 37/32082;
H01J 37/32706; H01L 21/67069; H01L
21/67207
USPC D15/122, 135, 144, 144.1, 144.2, 199;
56/379.8; 118/50, 666, 707, 712, 715,
118/725, 728, 729, 730, 733; 134/1.1;
156/379.8, 380.5, 380.6, 498;
204/192.12, 298.02, 298.28; 432/36,
432/54

See application file for complete search history.

(56) **References Cited**

U.S. PATENT DOCUMENTS

| | | | | |
|--------------|------|---------|-----------------|---------|
| 5,641,358 | A * | 6/1997 | Stewart | 118/715 |
| 6,178,626 | B1 * | 1/2001 | Hada et al. | 29/833 |
| 6,406,544 | B1 * | 6/2002 | Stewart | 118/719 |
| D494,988 | S * | 8/2004 | Tanaka et al. | D15/199 |
| D613,319 | S * | 4/2010 | Okamoto et al. | D15/145 |
| D616,472 | S * | 5/2010 | Fusejima | D15/122 |
| D626,161 | S * | 10/2010 | Torre | D15/145 |
| D655,323 | S * | 3/2012 | Brockhage | D15/145 |
| D664,172 | S * | 7/2012 | Ishikawa et al. | D15/199 |
| D690,744 | S * | 10/2013 | Koide et al. | D15/122 |
| D694,298 | S * | 11/2013 | Hoelbl | D15/122 |
| 2008/0220150 | A1 * | 9/2008 | Merry et al. | 427/8 |

* cited by examiner

Primary Examiner — Patricia Palasik

(74) *Attorney, Agent, or Firm* — Jianq Chyun IP Office

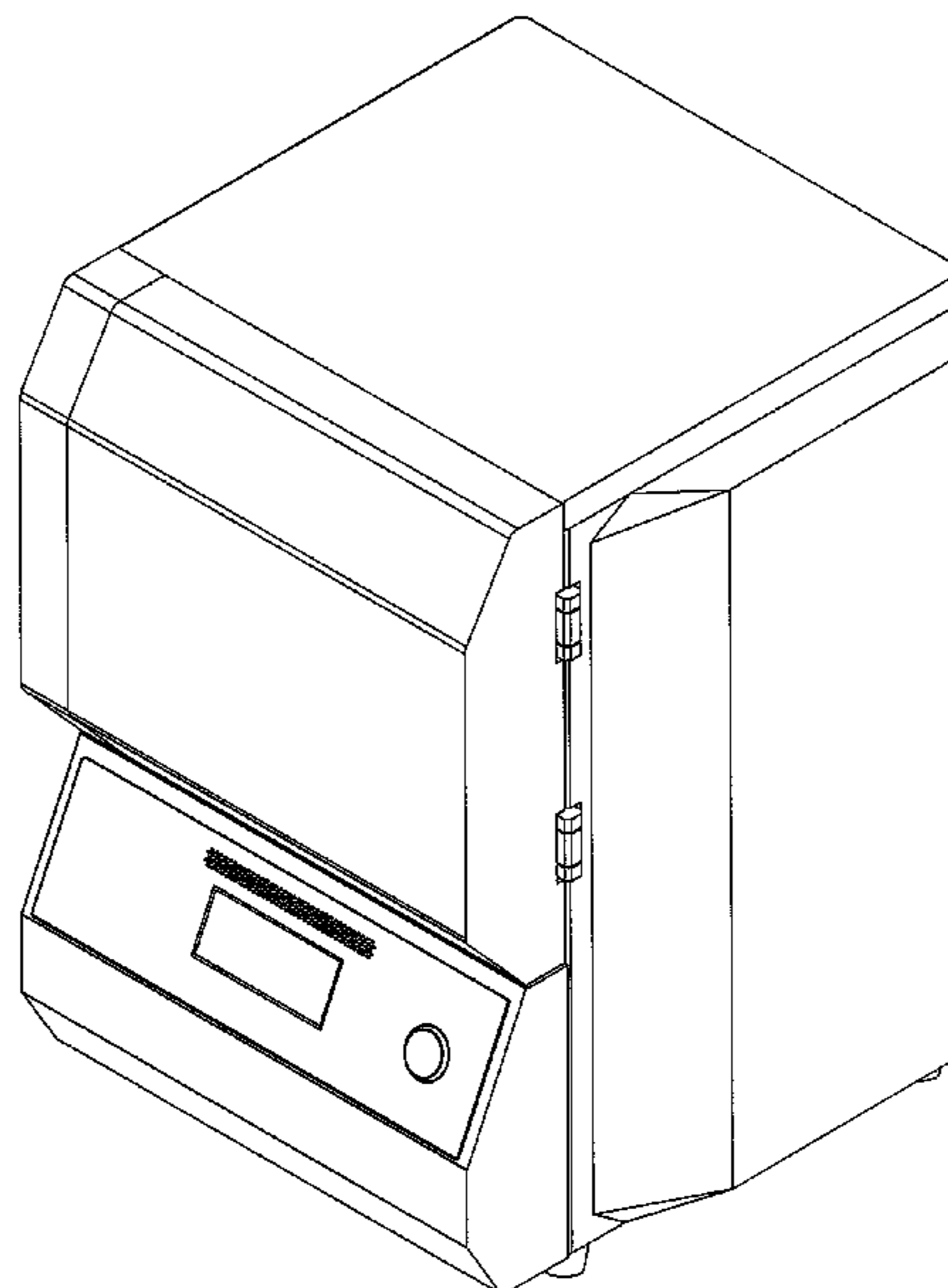
(57) **CLAIM**

The ornamental design for a deposition machine, as shown and described.

DESCRIPTION

FIG. 1 is a perspective view of a deposition machine showing my new design;
FIG. 2 is another perspective view thereof;
FIG. 3 is a front view thereof;
FIG. 4 is a rear view thereof;
FIG. 5 is a left side view thereof;
FIG. 6 is a right side view thereof;
FIG. 7 is a top view thereof; and,
FIG. 8 is a bottom view thereof.

1 Claim, 8 Drawing Sheets



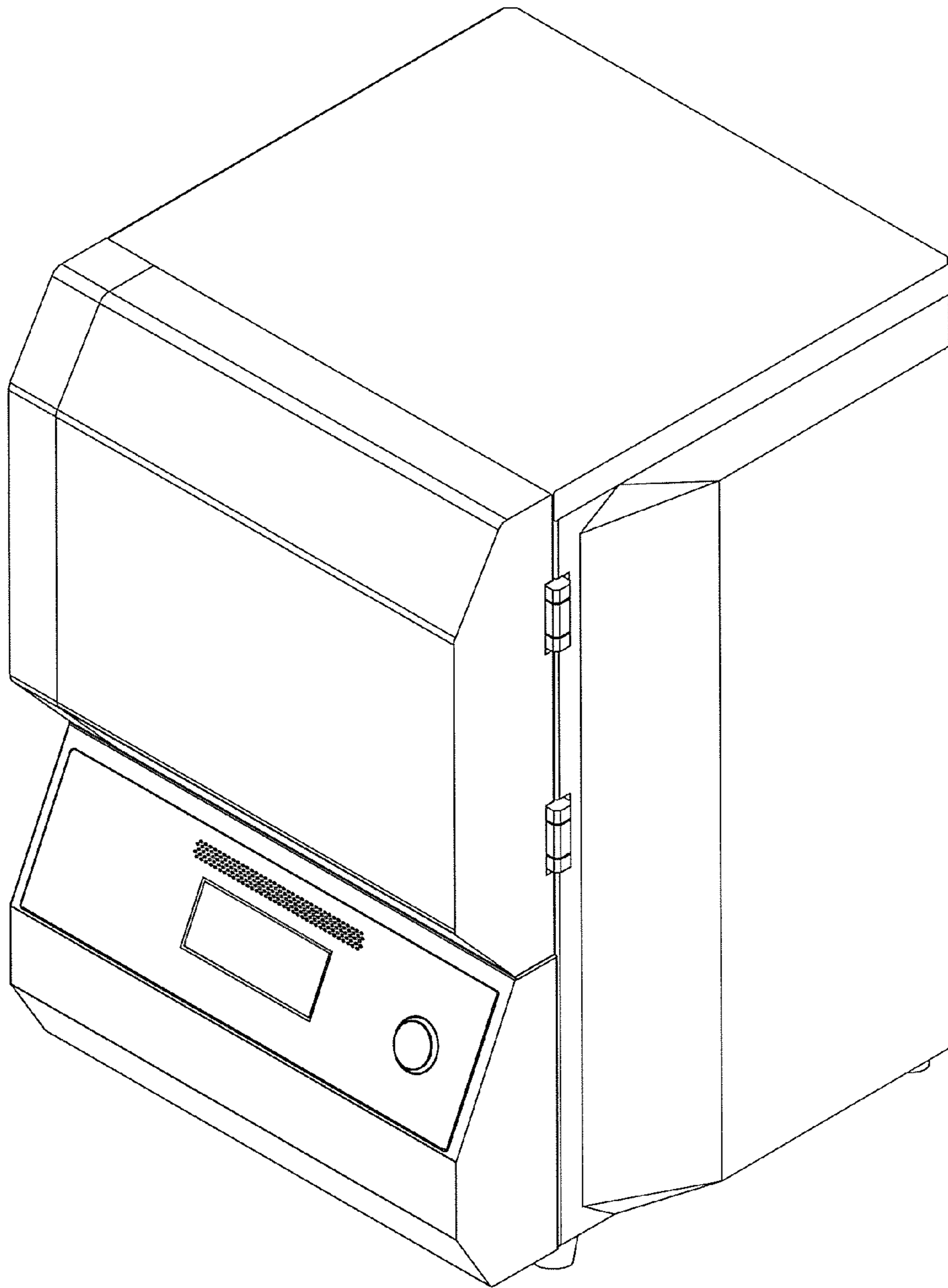


FIG. 1

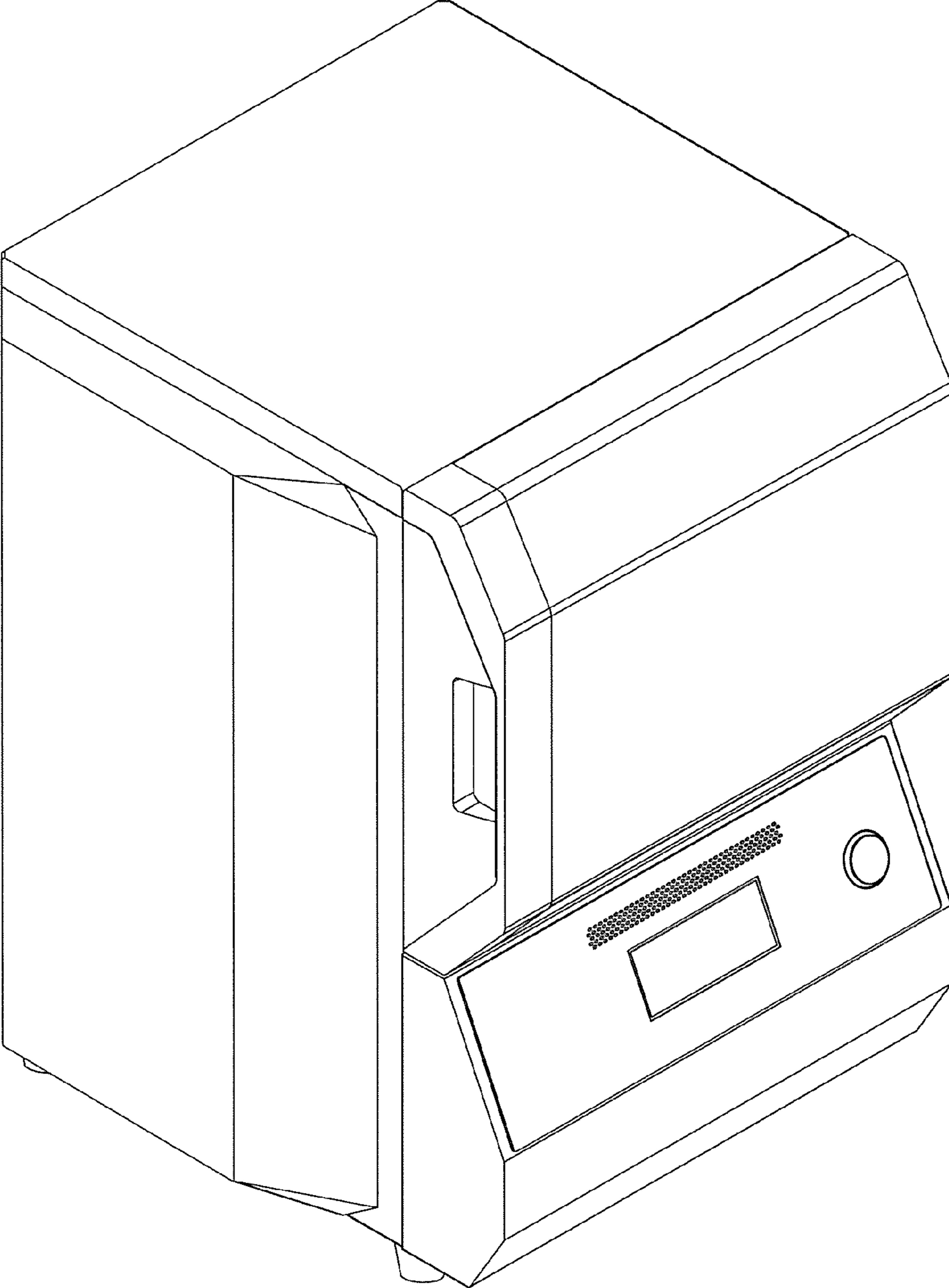


FIG. 2

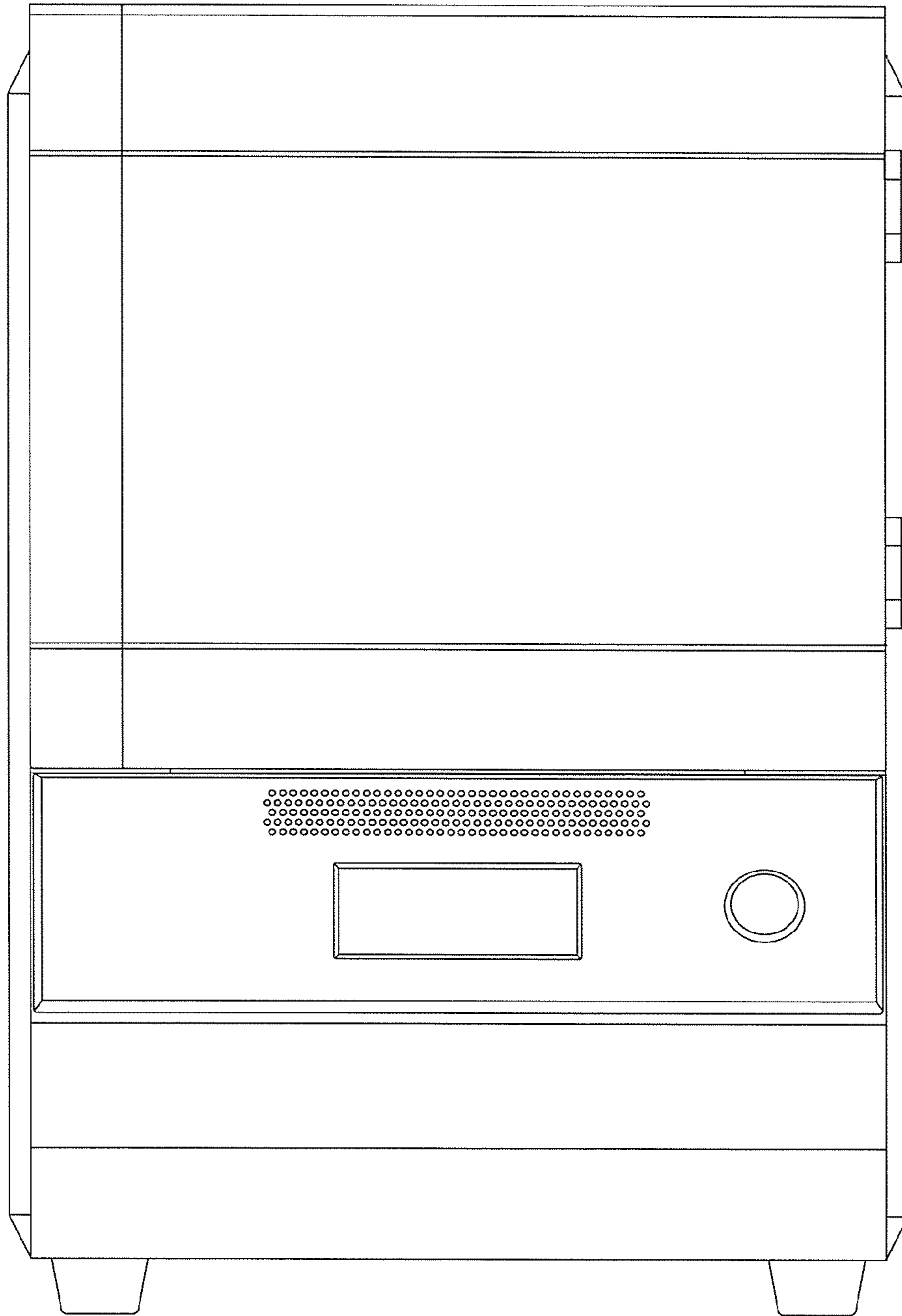


FIG. 3

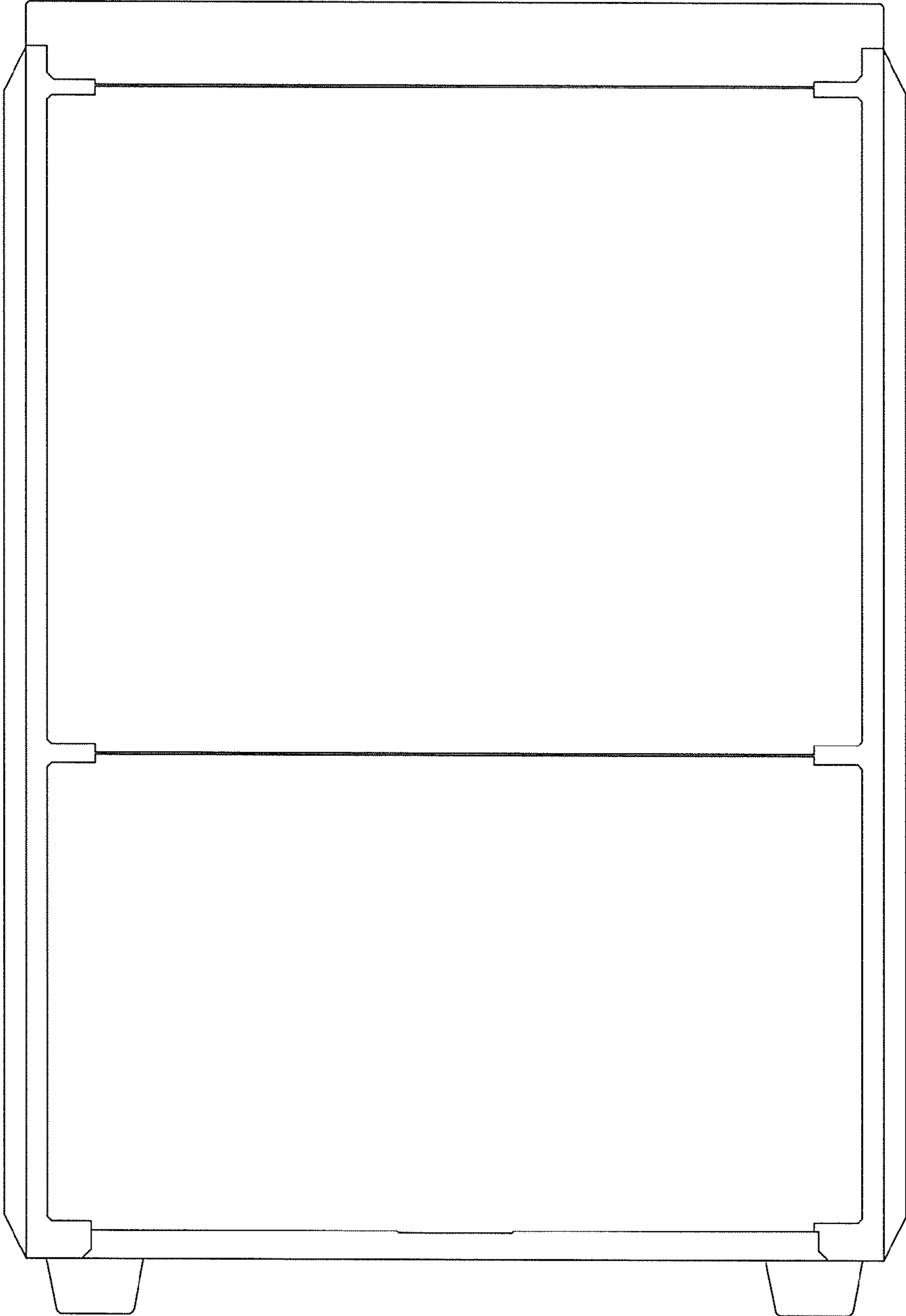


FIG. 4

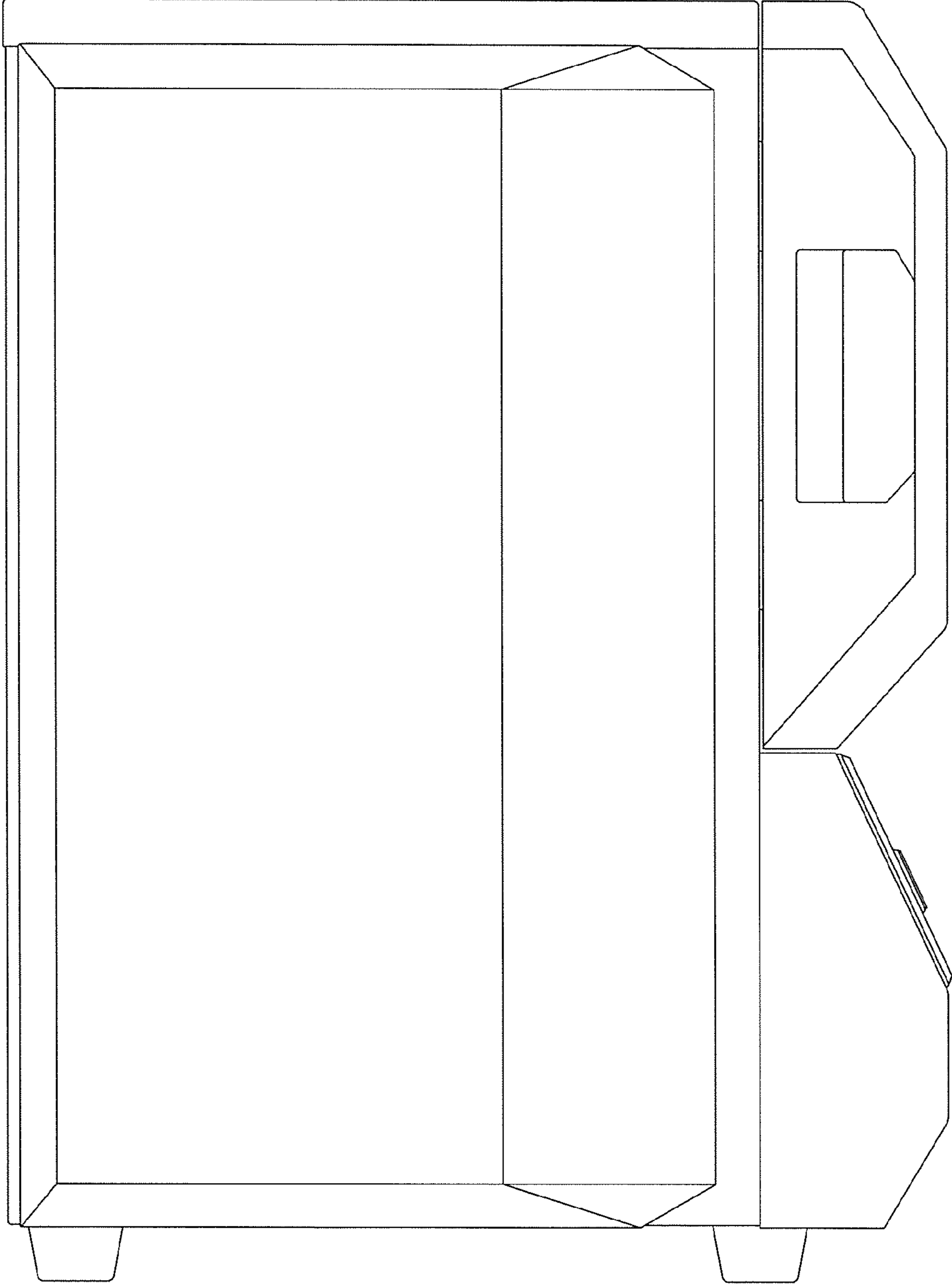


FIG. 5

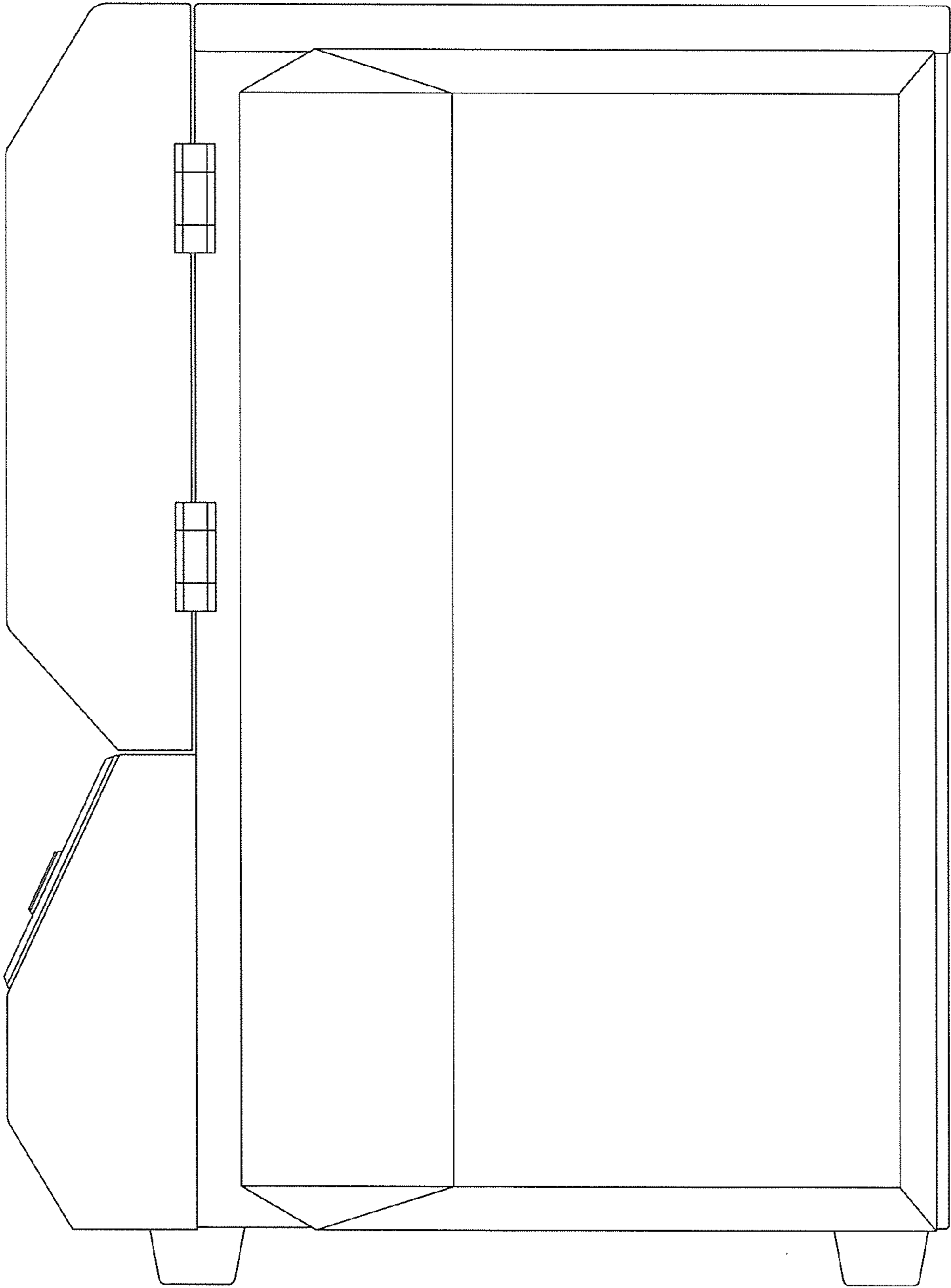


FIG. 6

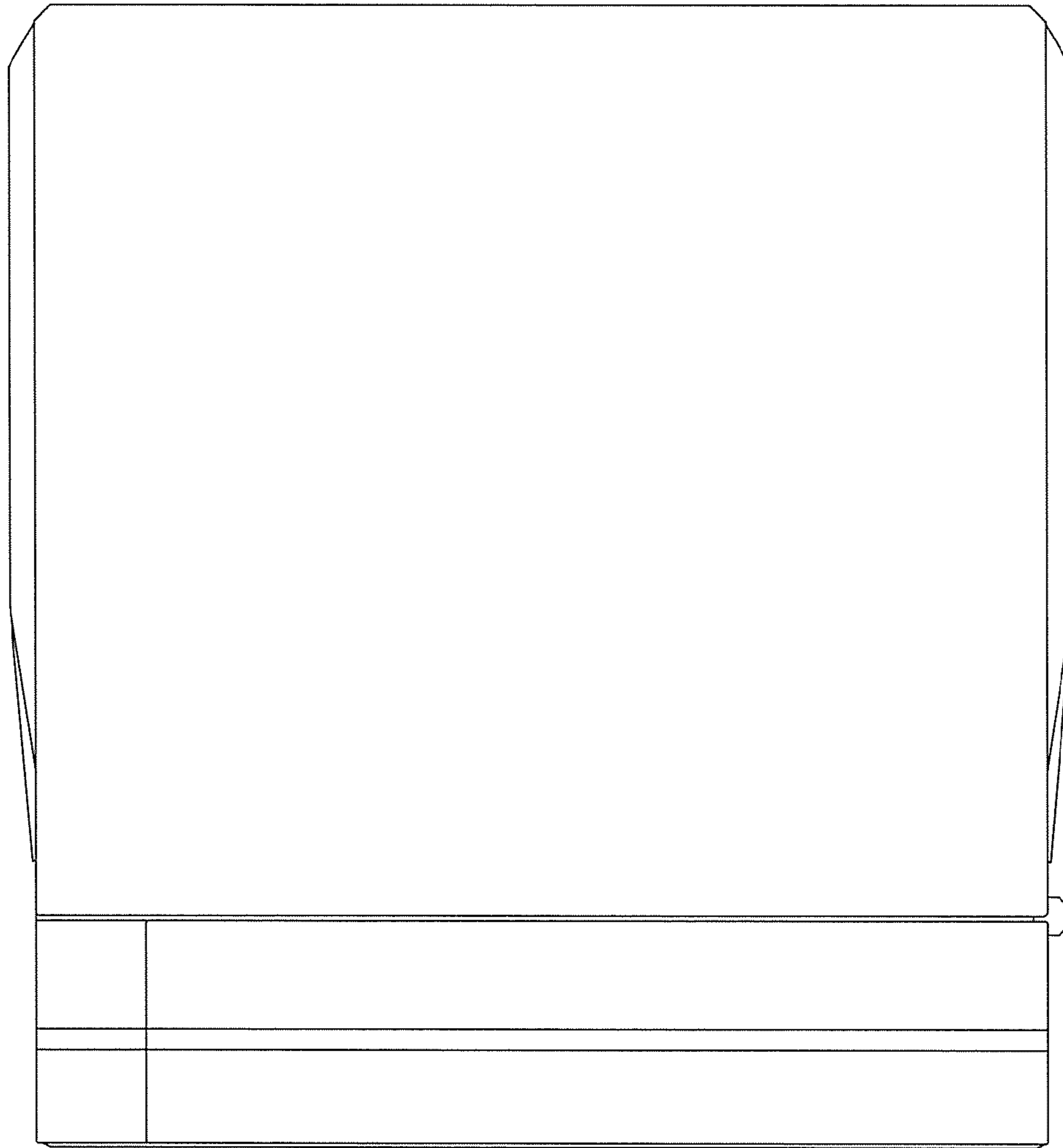


FIG. 7

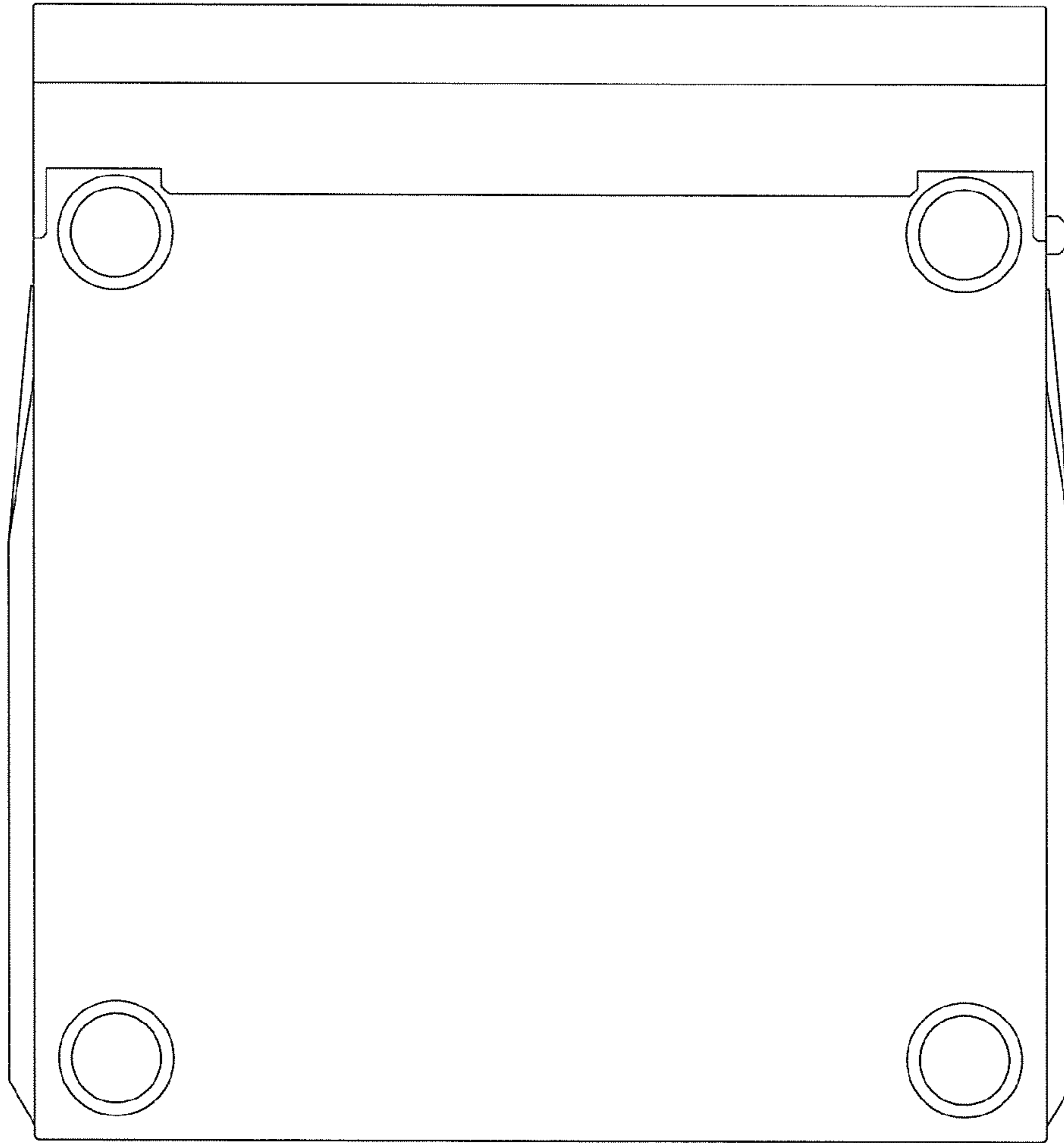


FIG. 8