



US00D717849S

(12) **United States Design Patent**
Wolf

(10) **Patent No.:** **US D717,849 S**

(45) **Date of Patent:** **** Nov. 18, 2014**

(54) **BALER**

(71) Applicant: **JWR, Inc.**, Johnson Creek, WI (US)

(72) Inventor: **David J. Wolf**, Johnson Creek, WI (US)

(73) Assignee: **JWR, Inc.**, Johnson Creek, WI (US)

(**) Term: **14 Years**

(21) Appl. No.: **29/494,211**

(22) Filed: **Jun. 18, 2014**

(51) **LOC (10) Cl.** **15-99**

(52) **U.S. Cl.**
USPC **D15/145**

(58) **Field of Classification Search**
USPC D15/122, 145, 146; 53/167, 202, 203,
53/266.1, 279, 284.5, 285, 370.7, 370.9,
53/381.1, 426, 558, 563, 565; 100/8, 25,
100/26, 29, 32; 493/184

See application file for complete search history.

(56) **References Cited**

U.S. PATENT DOCUMENTS

D191,922 S *	12/1961	Behnk	D15/145
3,552,091 A *	1/1971	Johnston	53/586
D275,490 S *	9/1984	Hollingsworth	D15/146
D327,487 S *	6/1992	Di Bernardo	D15/145
D381,833 S *	8/1997	Farndon	D6/409
D626,161 S *	10/2010	Torre	D15/145

D643,450 S *	8/2011	Verhoeven	D15/145
D696,323 S *	12/2013	Hannen	D15/145
2005/0066629 A1 *	3/2005	Taylor	53/551
2007/0119632 A1 *	5/2007	Noumi	177/58
2011/0283664 A1 *	11/2011	Thurgood et al.	53/451
2014/0230371 A1 *	8/2014	Taylor et al.	53/411

OTHER PUBLICATIONS

Zeus Recycling Solutions Plastic Stretch Film Recycling System,
www.zeusrecycling.com, printed Jun. 18, 2014.

* cited by examiner

Primary Examiner — Patricia Palasik

(74) *Attorney, Agent, or Firm* — Whyte Hirschboeck Dudek
S.C.

(57) **CLAIM**

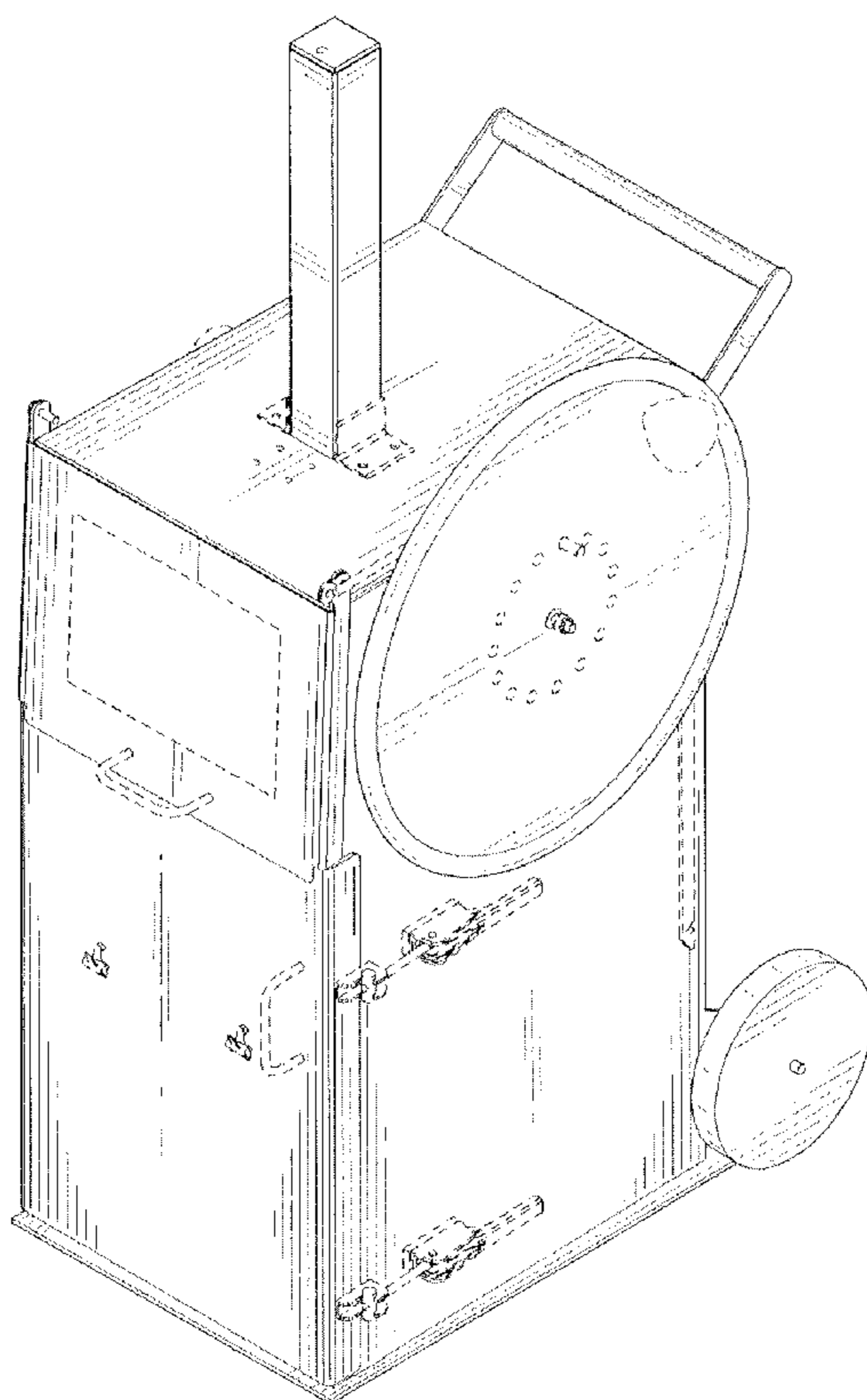
The ornamental design for a baler, as shown and described.

DESCRIPTION

FIG. 1 is a front perspective view of an embodiment of a baler;
FIG. 2 is a front elevation view thereof;
FIG. 3 is a rear elevation view thereof;
FIG. 4 is a right side elevation view thereof;
FIG. 5 is a left side elevation view thereof;
FIG. 6 is a bottom plan view thereof; and,
FIG. 7 is a top plan view thereof.

The broken lines of FIGS. 1-7 illustrate portions of the baler
that form no part of the claimed design.

1 Claim, 7 Drawing Sheets



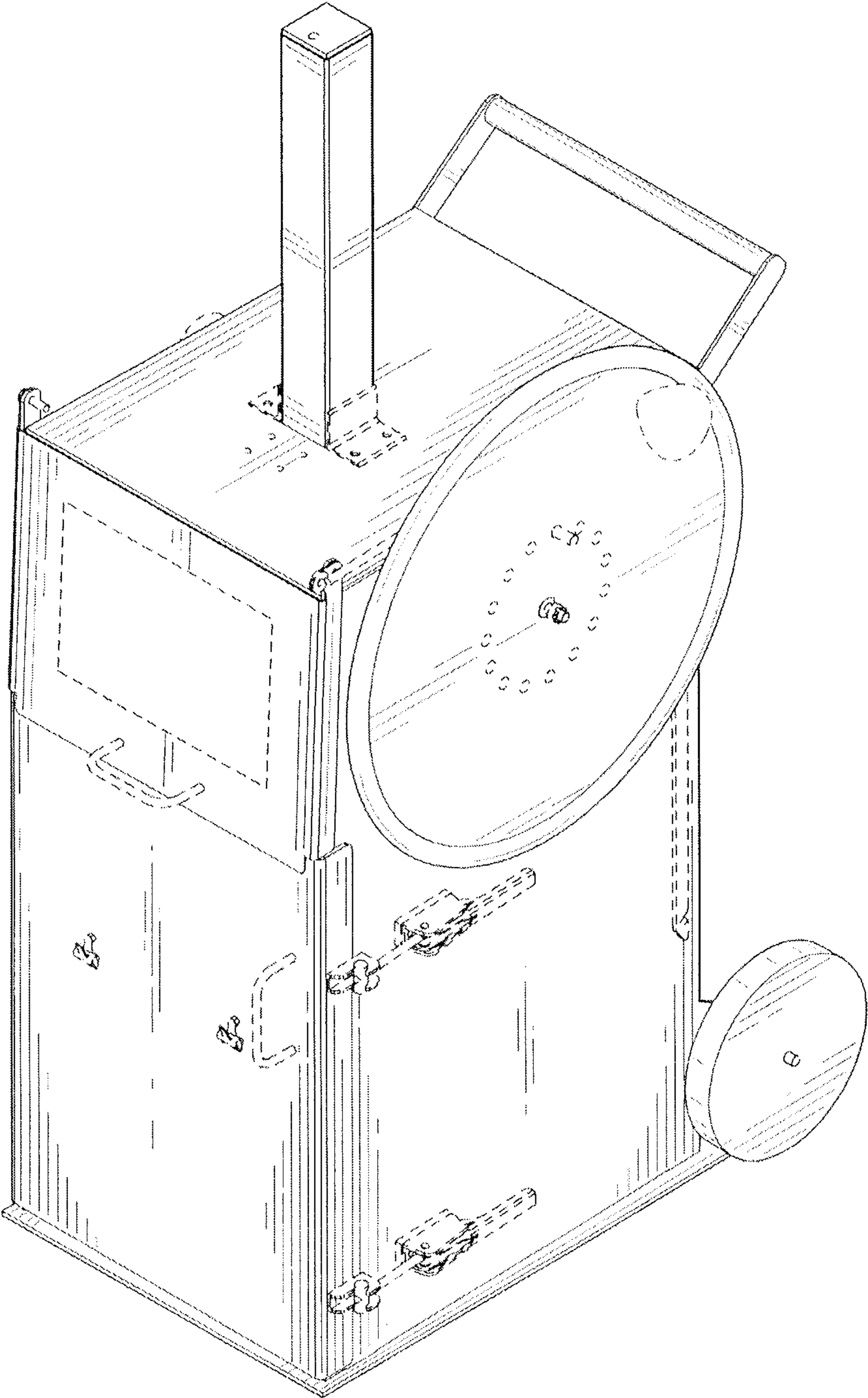


FIG. 1

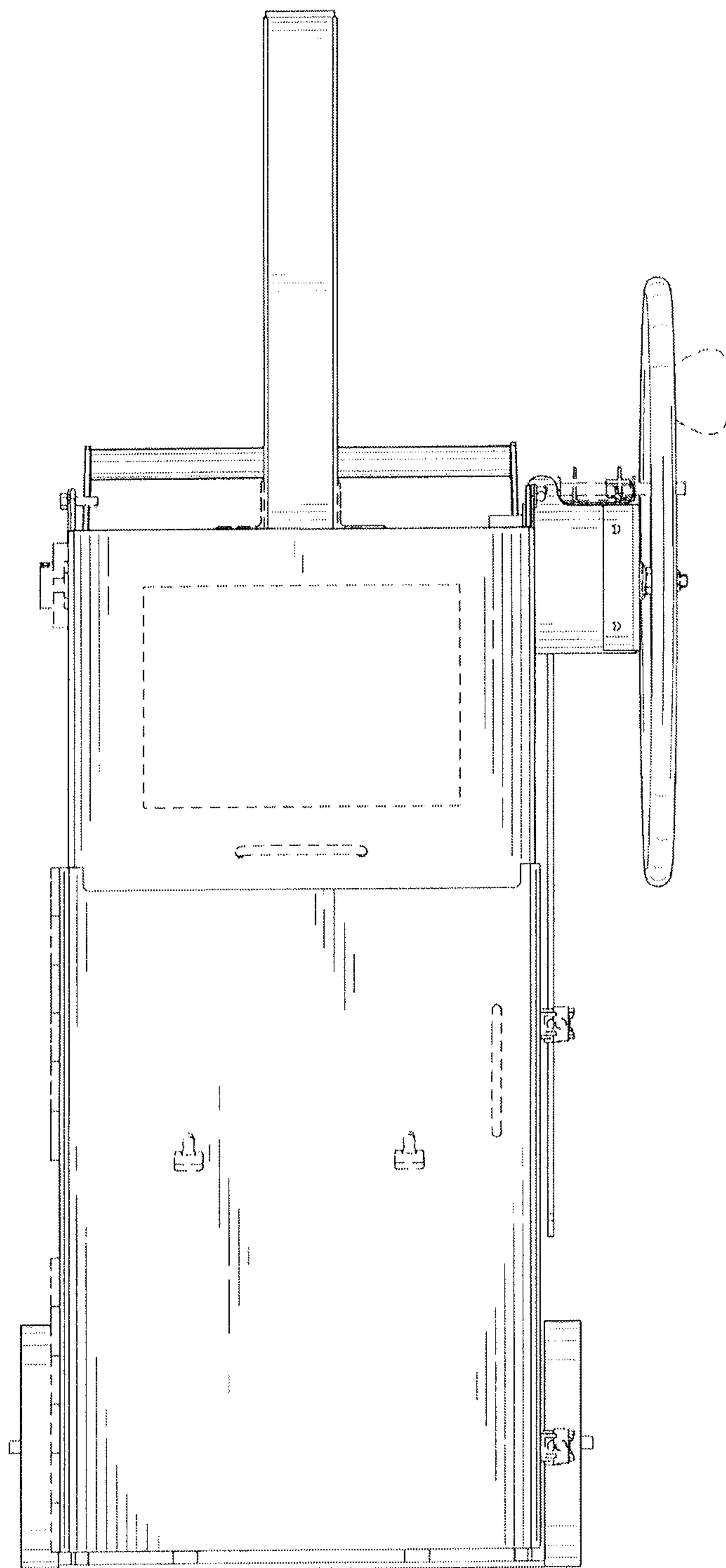


FIG. 2

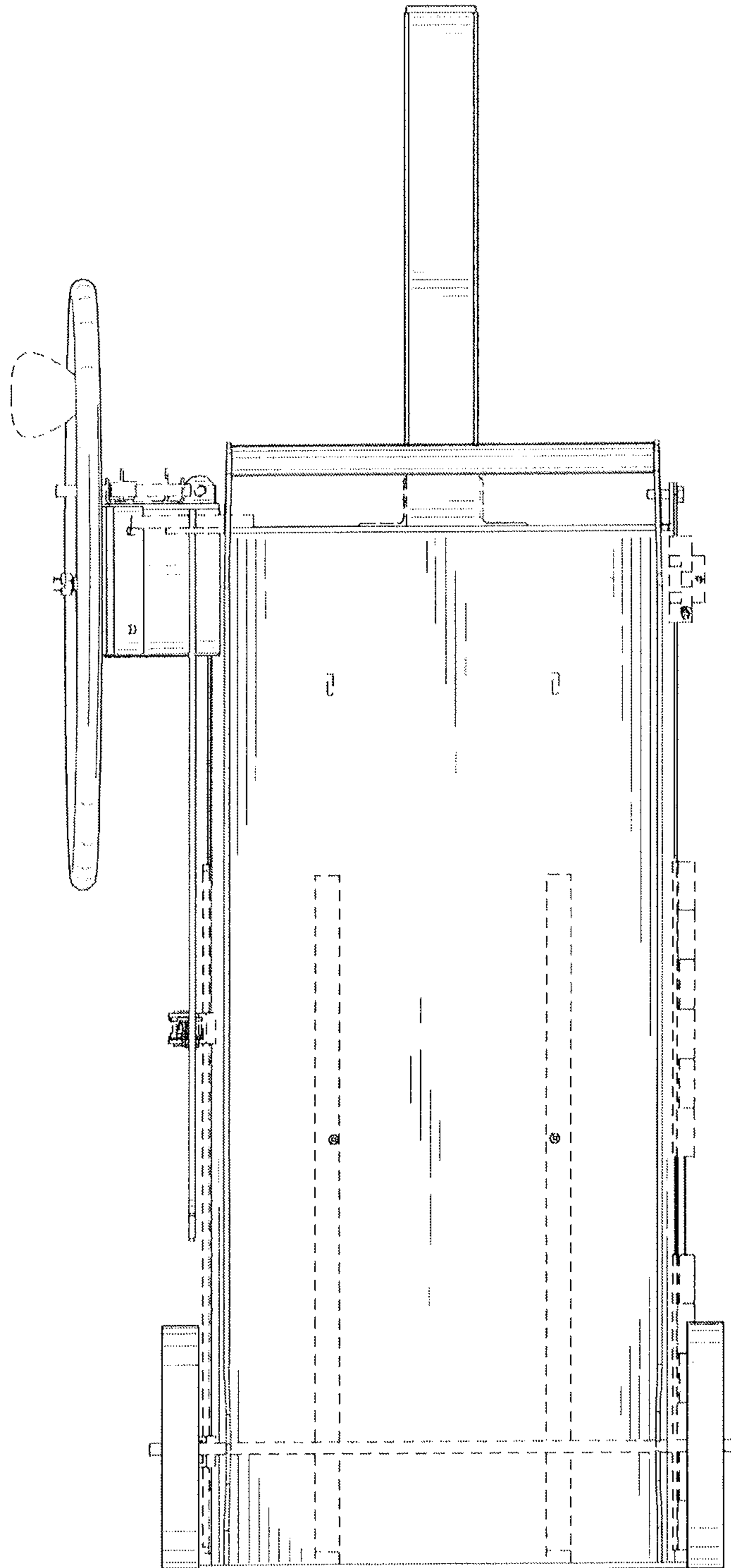


FIG. 3

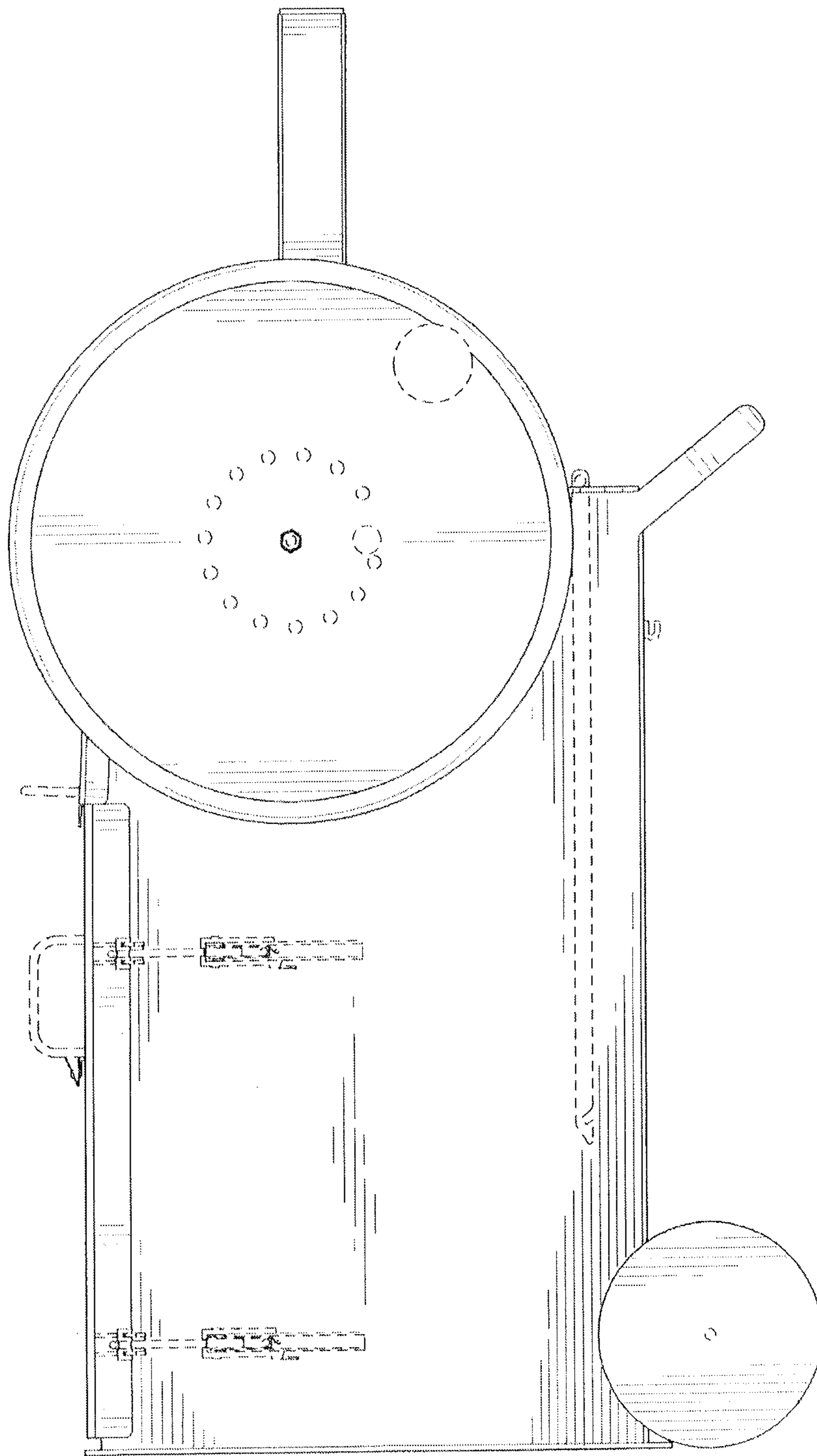


FIG. 4

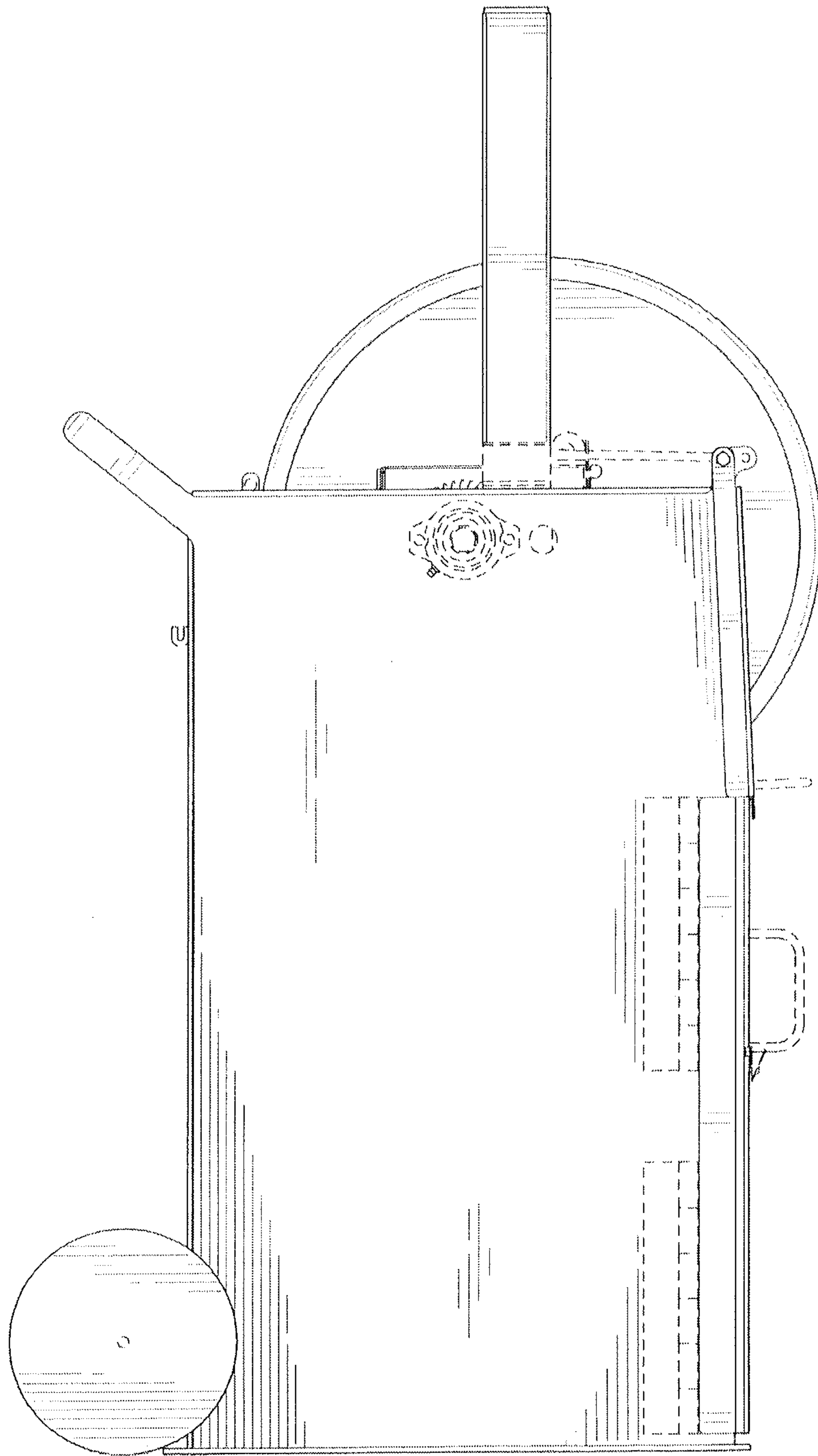


FIG. 5

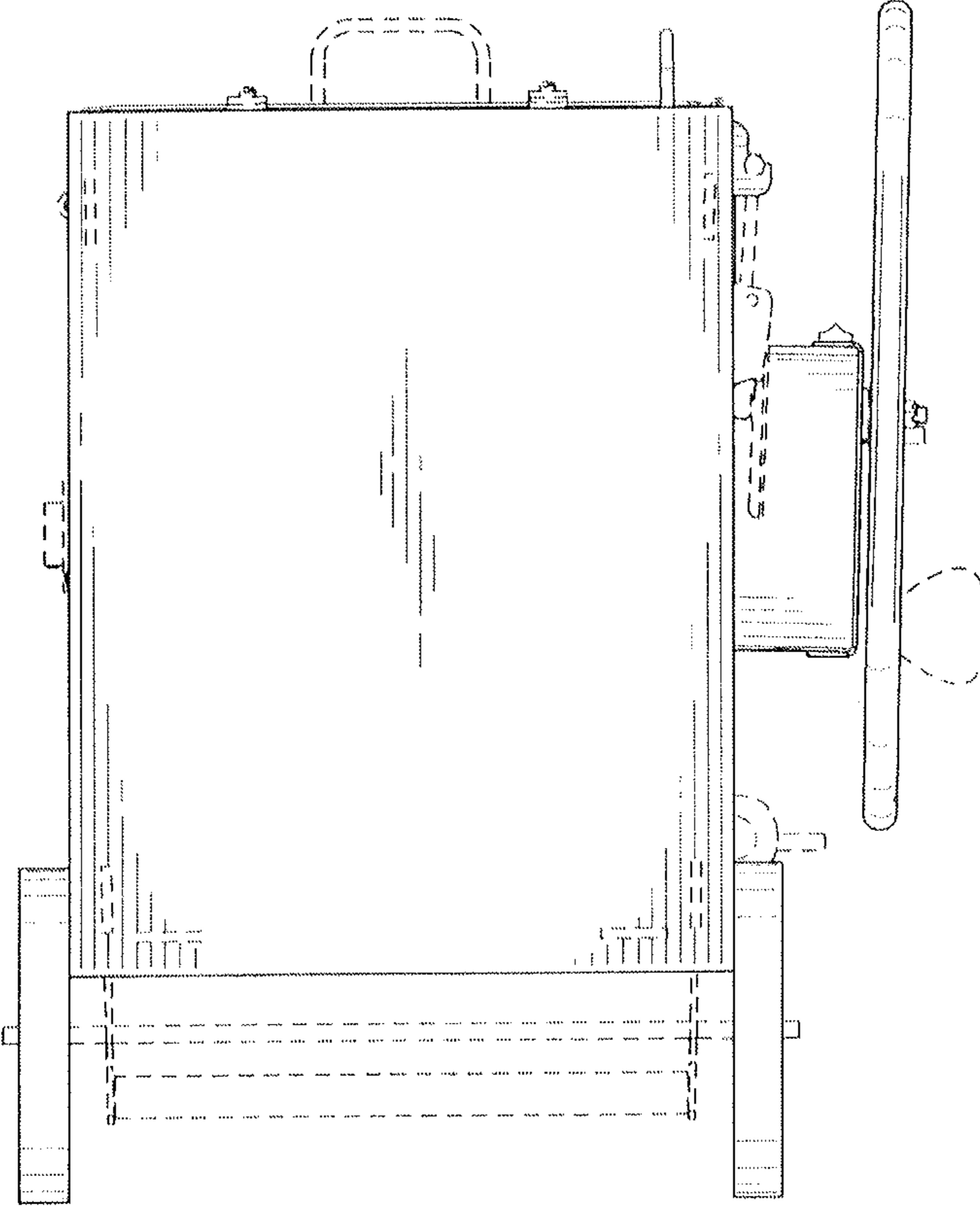


FIG. 6

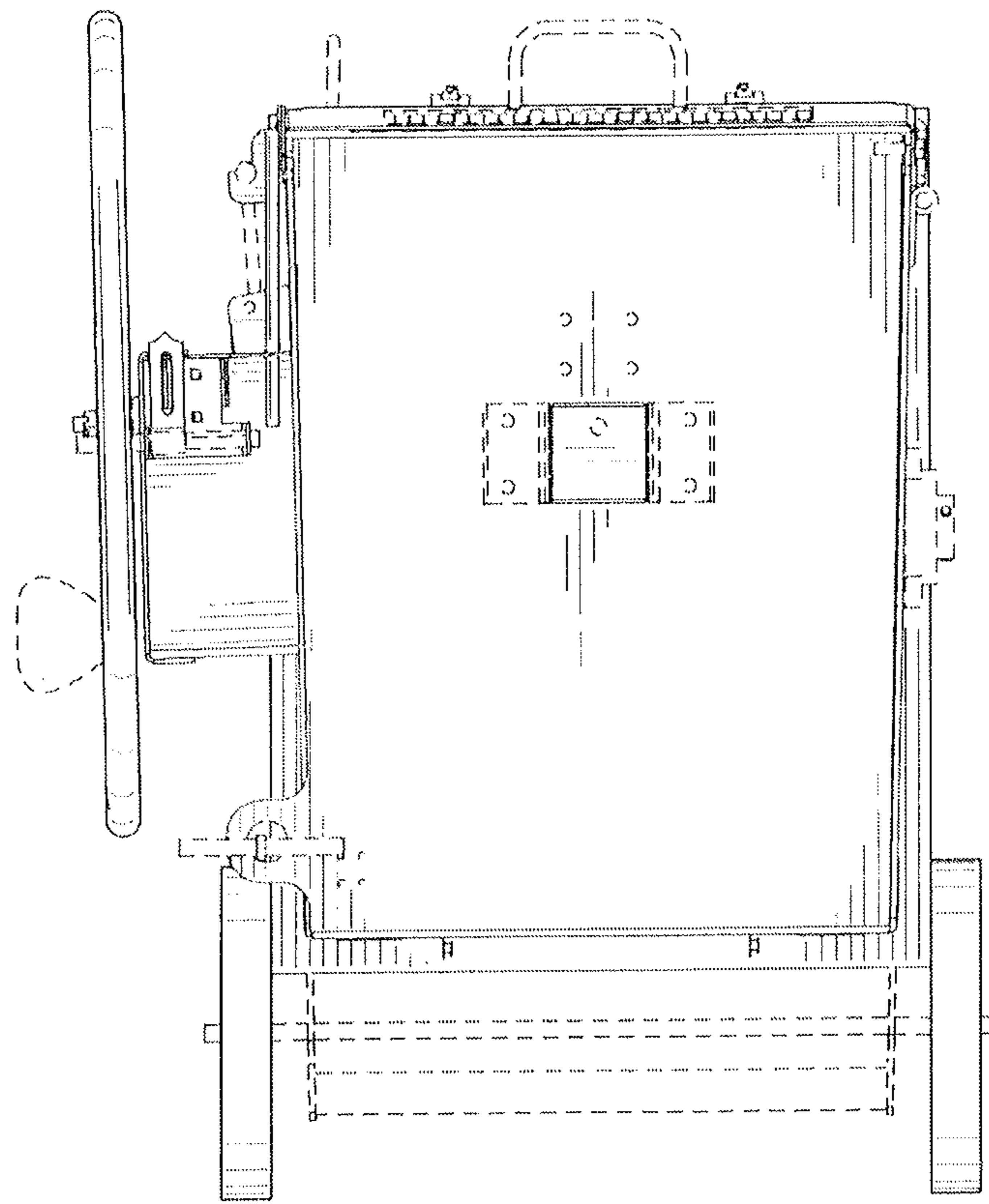


FIG. 7