



US00D717848S

(12) **United States Design Patent**
Henry et al.

(10) **Patent No.:** **US D717,848 S**

(45) **Date of Patent:** **** Nov. 18, 2014**

(54) **FOLDING SYSTEM**

(71) Applicant: **Miller Weldmaster Corporation,**
Navarre, OH (US)

(72) Inventors: **Brian D. Henry,** North Lawrence, OH
(US); **Michael Laskowski,** Pittsburgh,
PA (US)

(73) Assignee: **Miller Weldmaster Corporation,**
Navarre, OH (US)

(**) Term: **14 Years**

(21) Appl. No.: **29/436,359**

(22) Filed: **Nov. 5, 2012**

(51) **LOC (10) Cl.** **15-99**

(52) **U.S. Cl.**
USPC **D15/145**

(58) **Field of Classification Search**
USPC D6/518-523; D15/72, 78, 144, 144.1,
D15/144.2, 146, 199; 140/105, 112;
156/290, 499; 219/56
See application file for complete search history.

(56) **References Cited**

U.S. PATENT DOCUMENTS

1,901,477	A *	3/1933	Southwick	219/56
2,487,392	A *	11/1949	Southwick	219/56
7,094,298	B2 *	8/2006	Schwetz	156/71
D613,780	S *	4/2010	Henry et al.	D15/144
D705,284	S *	5/2014	Nussbaum	D15/144

D705,285	S *	5/2014	Nussbaum	D15/144
2008/0308234	A1 *	12/2008	Seo	156/499
2011/0083803	A1 *	4/2011	Henry	156/308.2
2012/0312479	A1 *	12/2012	Henry	156/580
2014/0124125	A1 *	5/2014	Nussbaum et al.	156/157

* cited by examiner

Primary Examiner — Patricia Palasik

(74) *Attorney, Agent, or Firm* — Sand & Sebolt

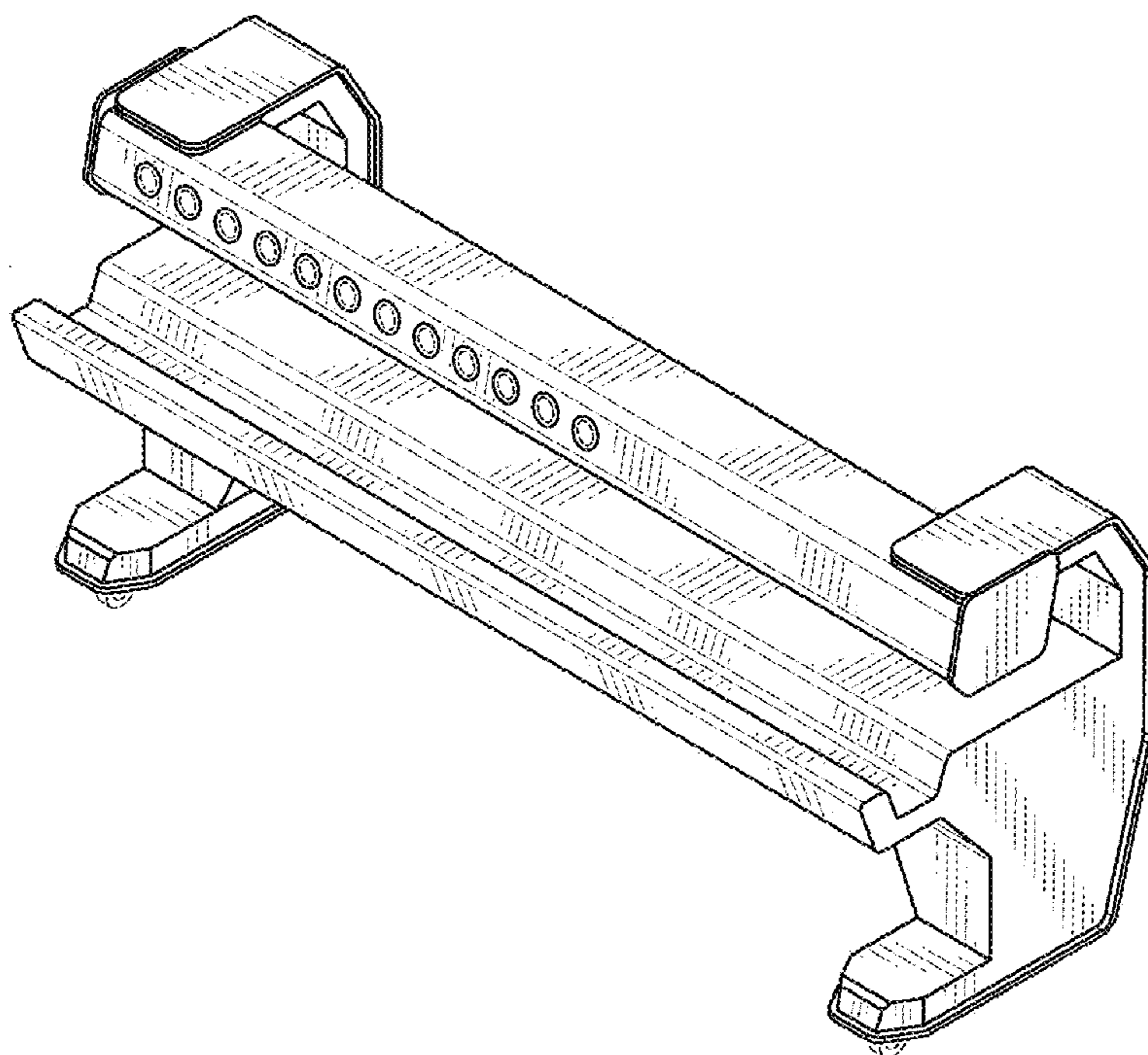
(57) **CLAIM**

The ornamental design for a folding system, as shown and described.

DESCRIPTION

FIG. 1 is a first embodiment of a perspective view of welding machine;
FIG. 2 is a front elevation view;
FIG. 3 is a right side view.
FIG. 4 is a second embodiment of a perspective view of welding machine;
FIG. 5 is a front elevation view;
FIG. 6 is a right side view.
FIG. 7 is an upper housing portion of a welding machine shown removed for clarity of disclosure.
FIG. 8 is the curvature of a right side of a housing of a welding machine shown removed for clarity of disclosure; and,
FIG. 9 is a housing of a welding machine shown removed for clarity of disclosure.

1 Claim, 9 Drawing Sheets



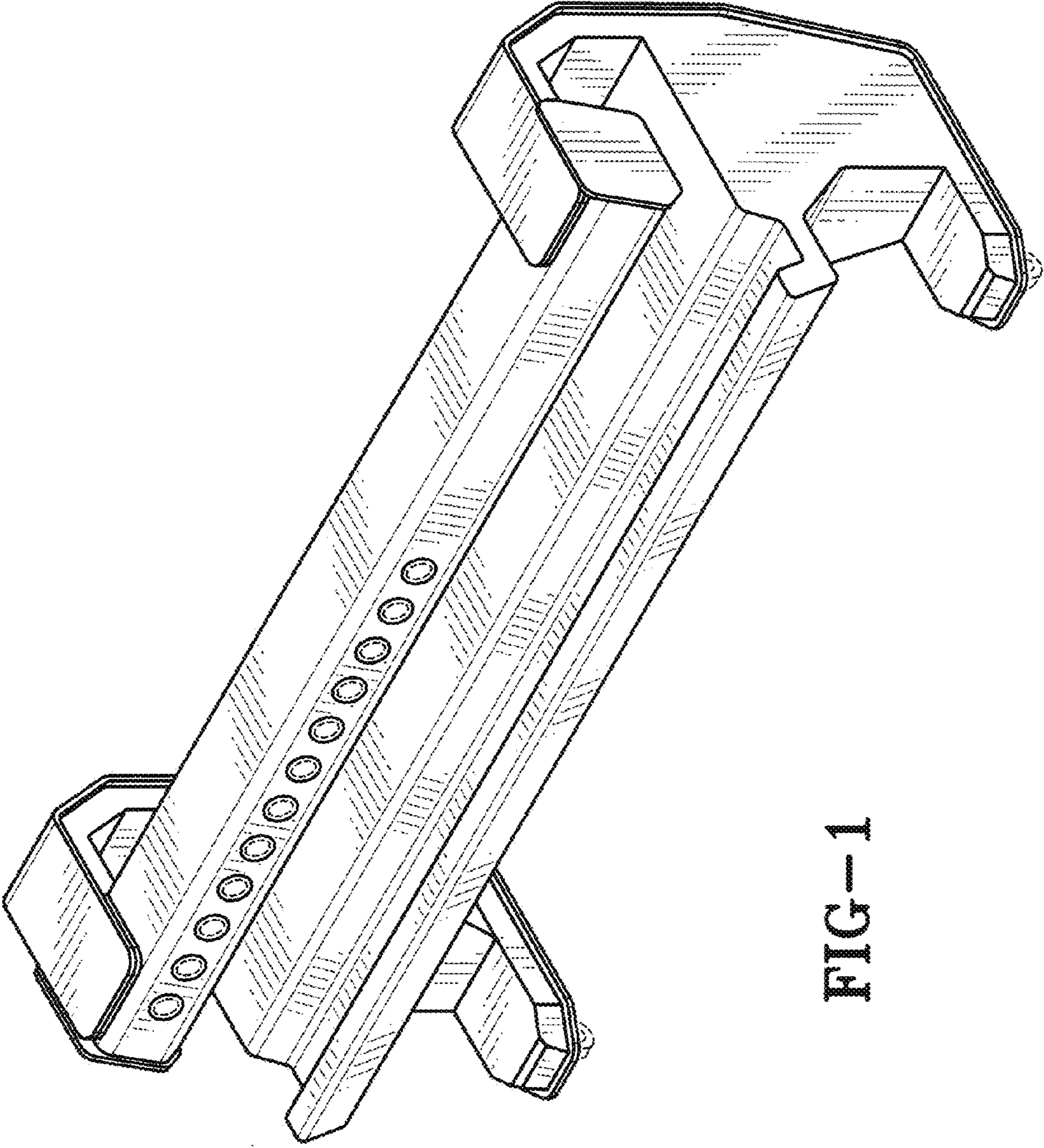


FIG--1

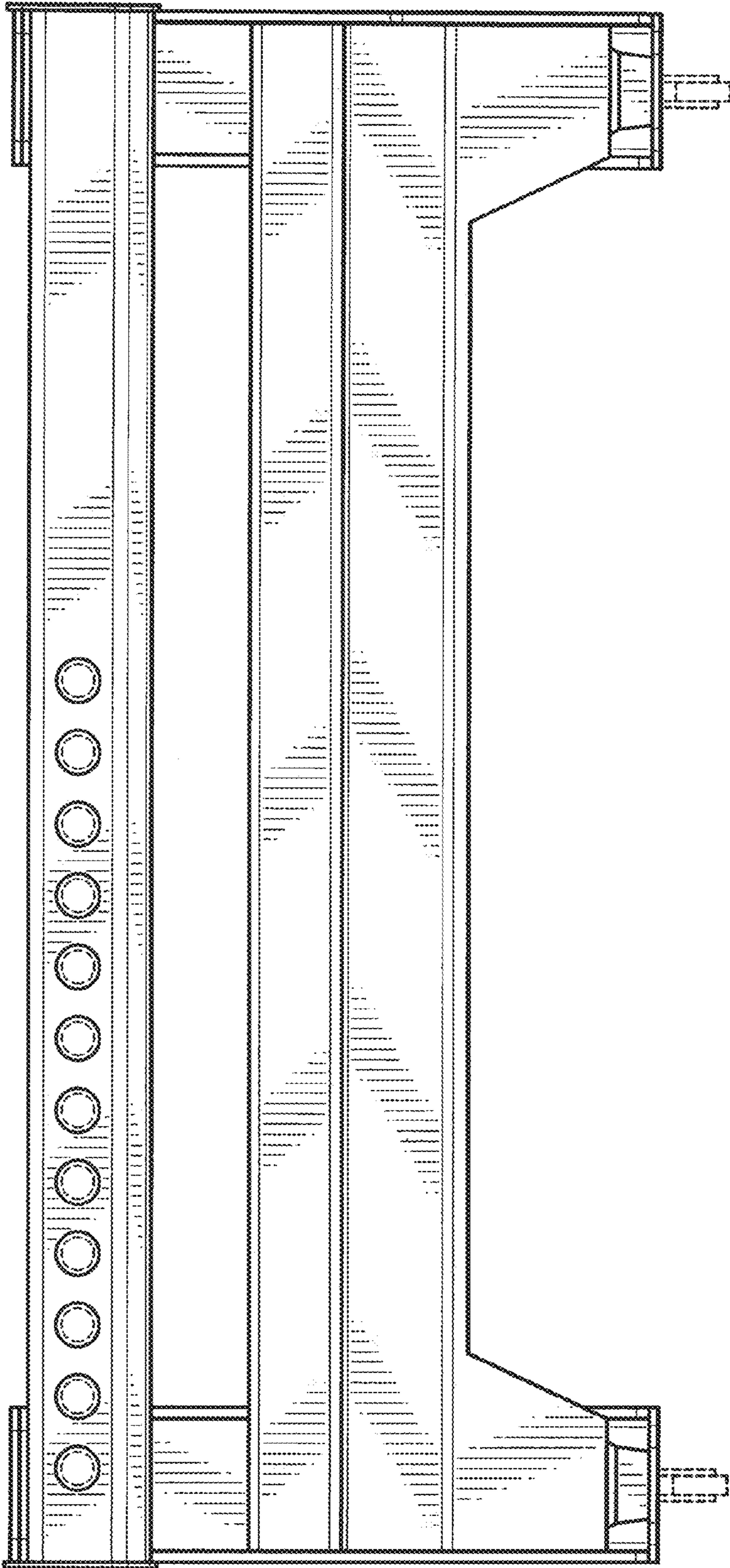


FIG-2

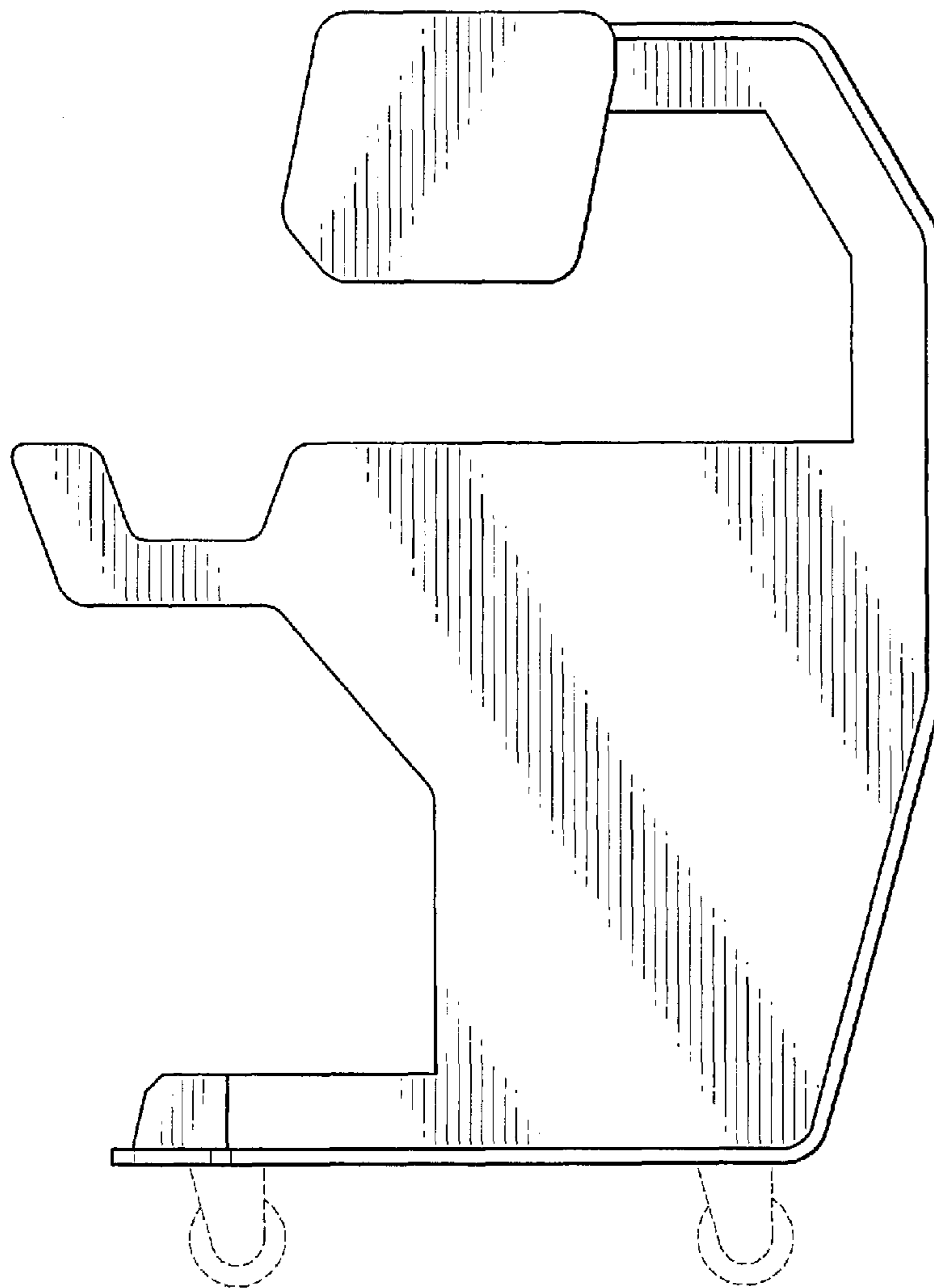


FIG-3

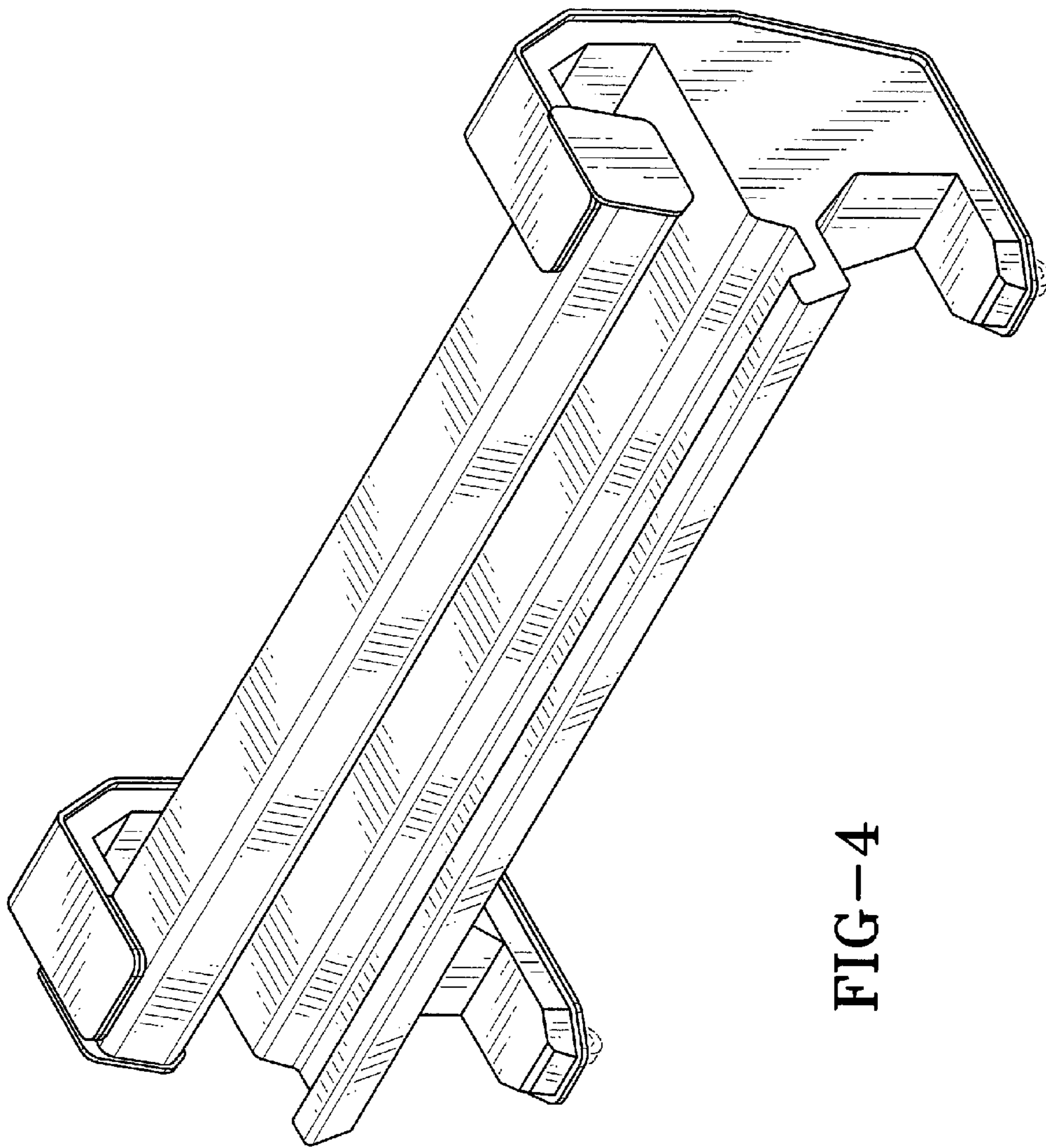


FIG-4

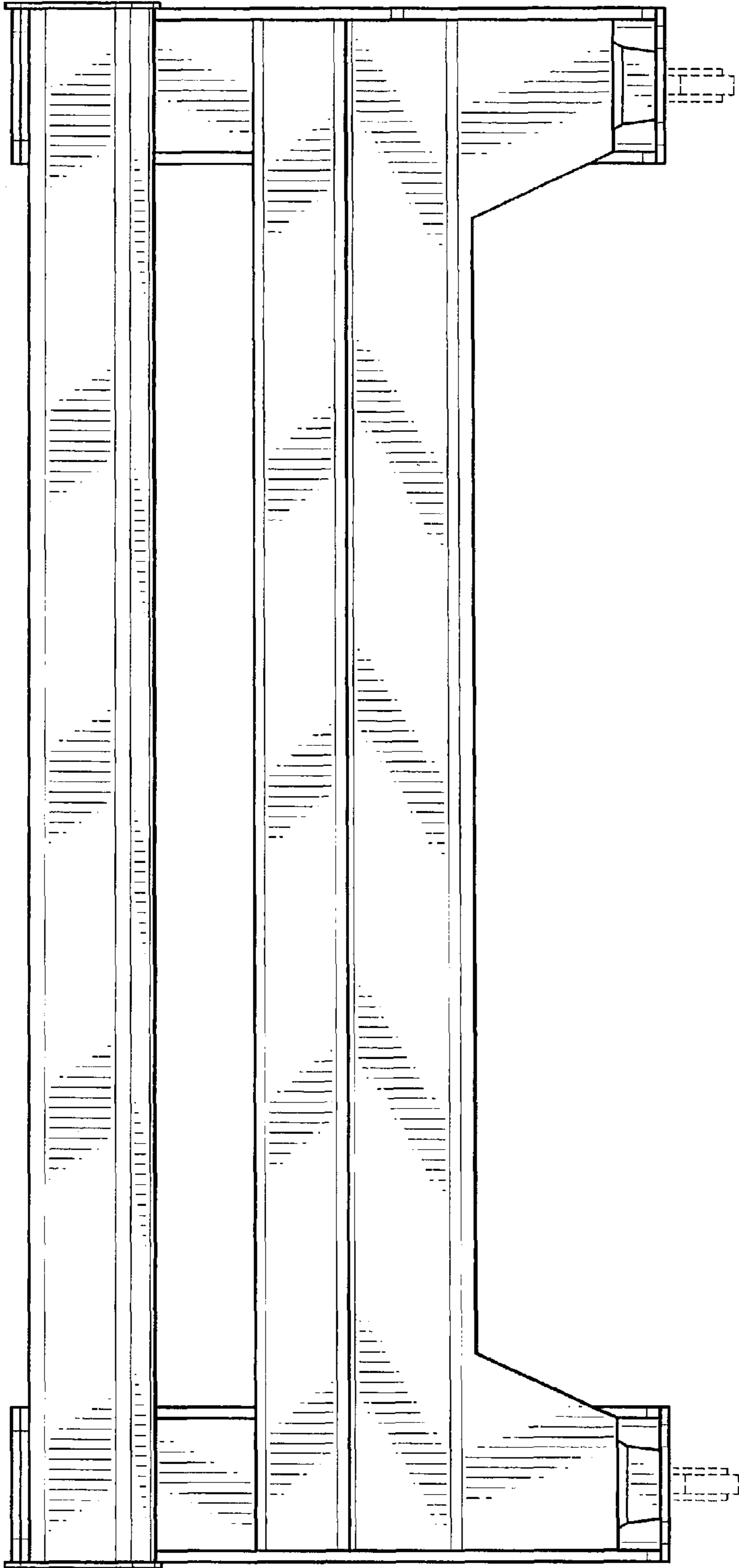


FIG-5

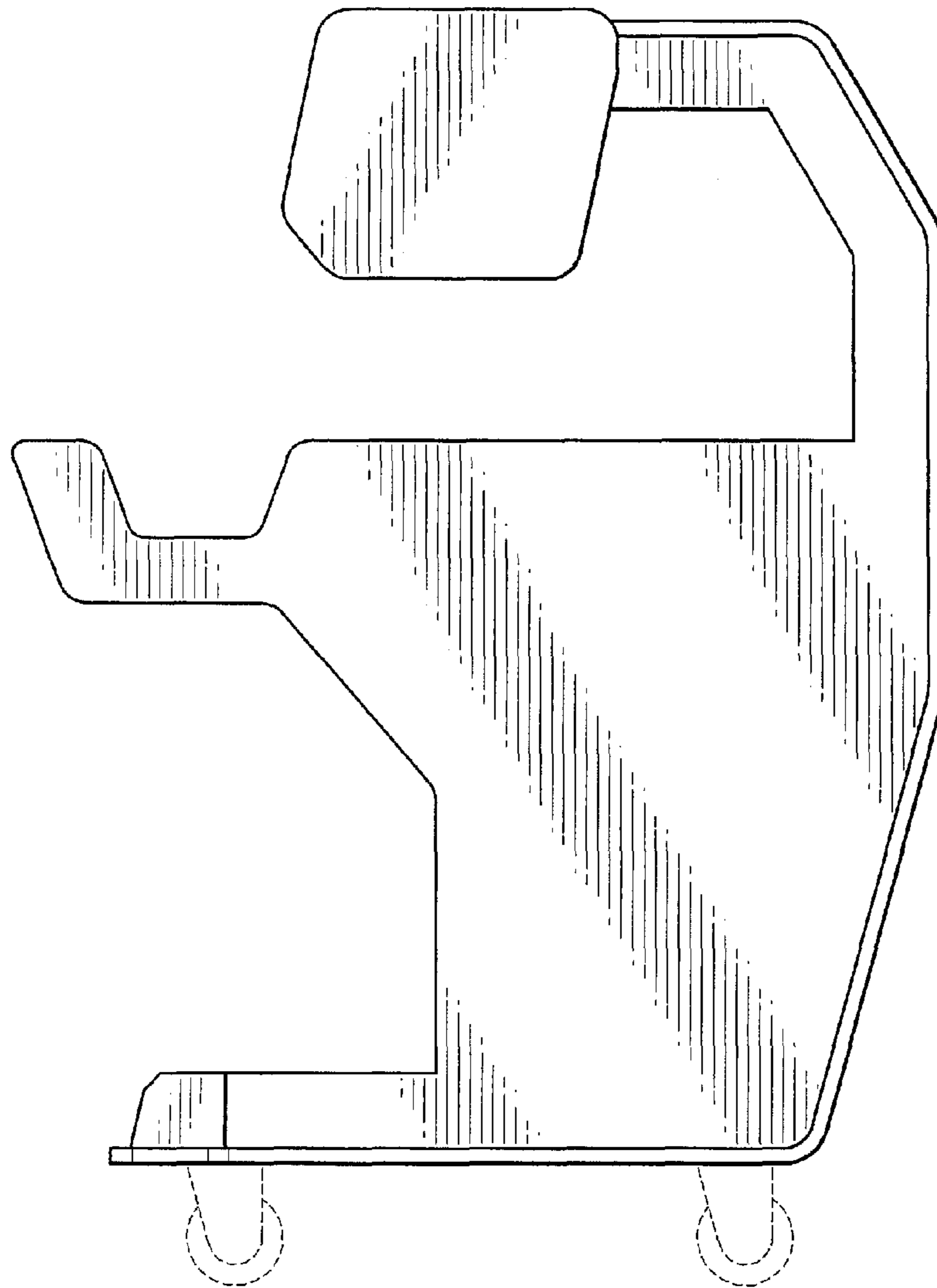


FIG-6

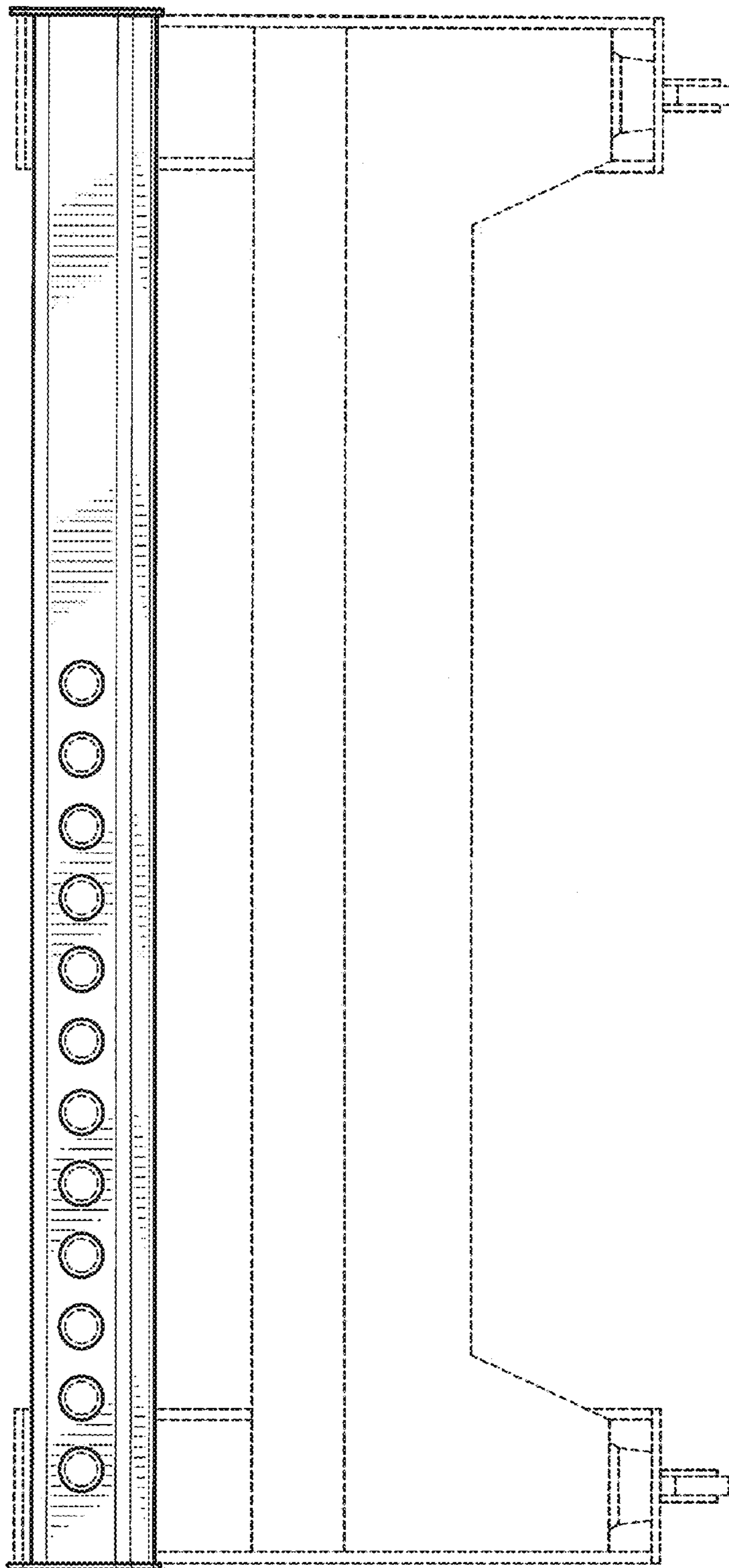


FIG-7

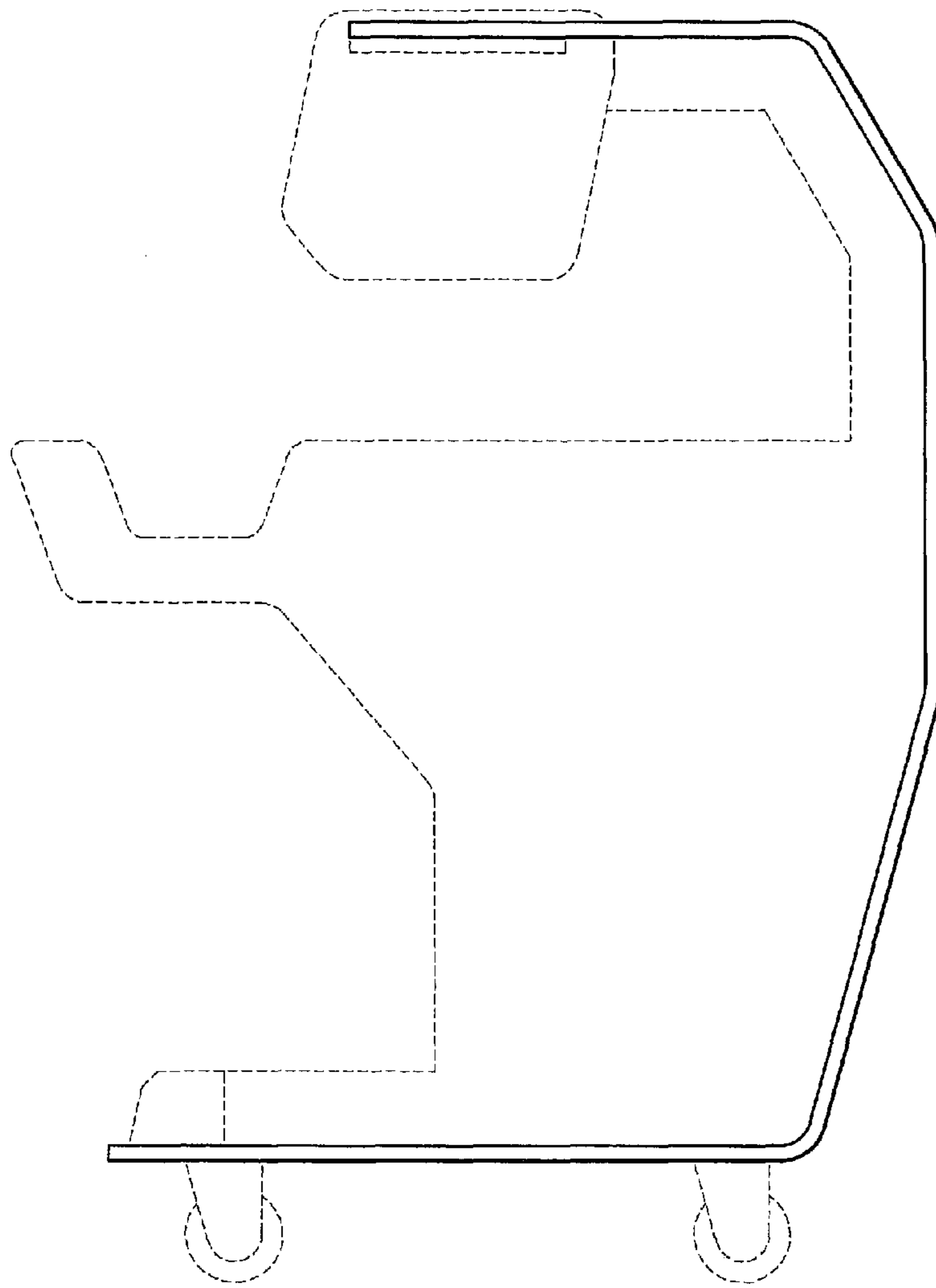


FIG-8

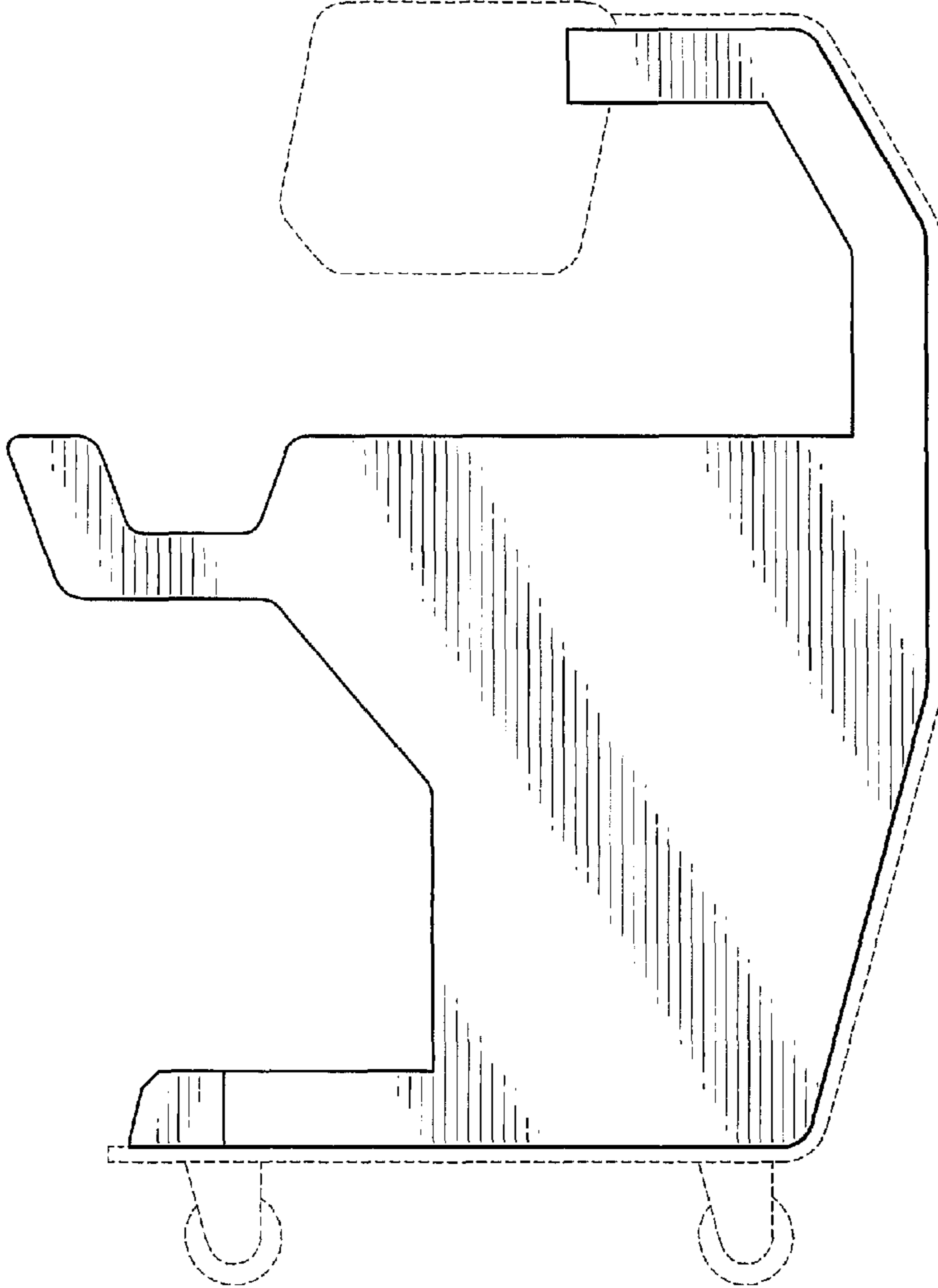


FIG-9