



US00D717846S

(12) **United States Design Patent**
Wachsmann

(10) **Patent No.:** **US D717,846 S**

(45) **Date of Patent:** **** Nov. 18, 2014**

(54) **EJECTOR PLATE**

(71) Applicant: **BOMAG GmbH**, Boppard (DE)

(72) Inventor: **Steffen Wachsmann**, Koblenz (DE)

(73) Assignee: **BOMAG GmbH**, Boppard (DE)

(**) Term: **14 Years**

(21) Appl. No.: **29/458,250**

(22) Filed: **Jun. 18, 2013**

(30) **Foreign Application Priority Data**

Dec. 19, 2012 (EP) 002156406-0036

(51) **LOC (10) Cl.** **15-09**

(52) **U.S. Cl.**
USPC **D15/135**

(58) **Field of Classification Search**
USPC D15/135, 136; 264/263, 259, 266, 334;
425/125, 129.1, 438, 444, 556

See application file for complete search history.

(56) **References Cited**

U.S. PATENT DOCUMENTS

6,638,467	B1 *	10/2003	Yamamoto	264/263
D699,770	S *	2/2014	Kmoch et al.	D15/136
2009/0214694	A1 *	8/2009	Mai	425/577
2012/0110783	A1 *	5/2012	Kao et al.	16/110.1
2013/0287885	A1 *	10/2013	Schad	425/556
2013/0328245	A1 *	12/2013	Liesen	264/328.1

* cited by examiner

Primary Examiner — Patricia Palasik

(74) *Attorney, Agent, or Firm* — Wood, Herron & Evans, LLP

(57) **CLAIM**

The ornamental design for an ejector plate, as shown and described.

DESCRIPTION

FIG. 1 is a top perspective view of my new ejector plate design;

FIG. 2 is a bottom plan view thereof;

FIG. 3 is a top plan view thereof;

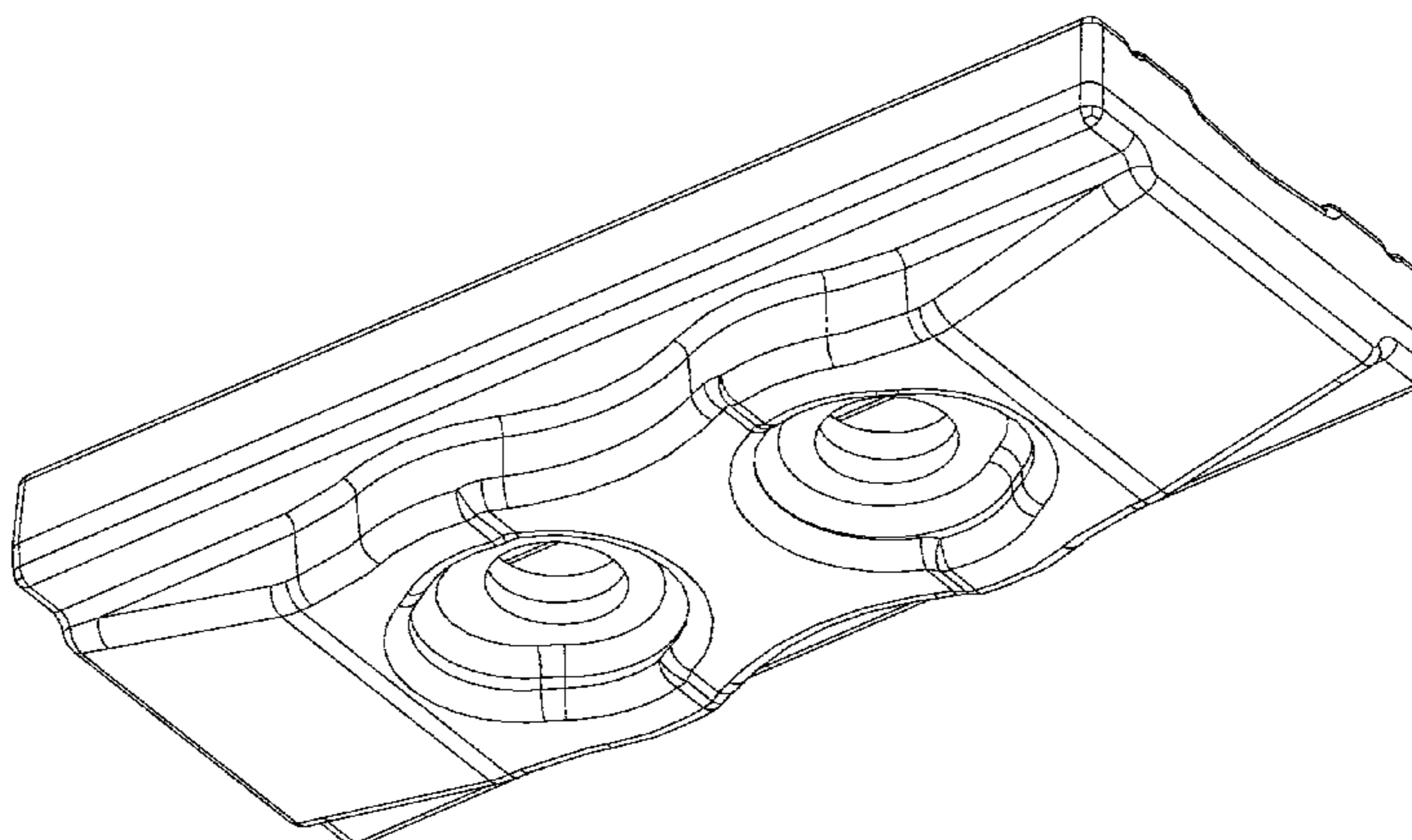
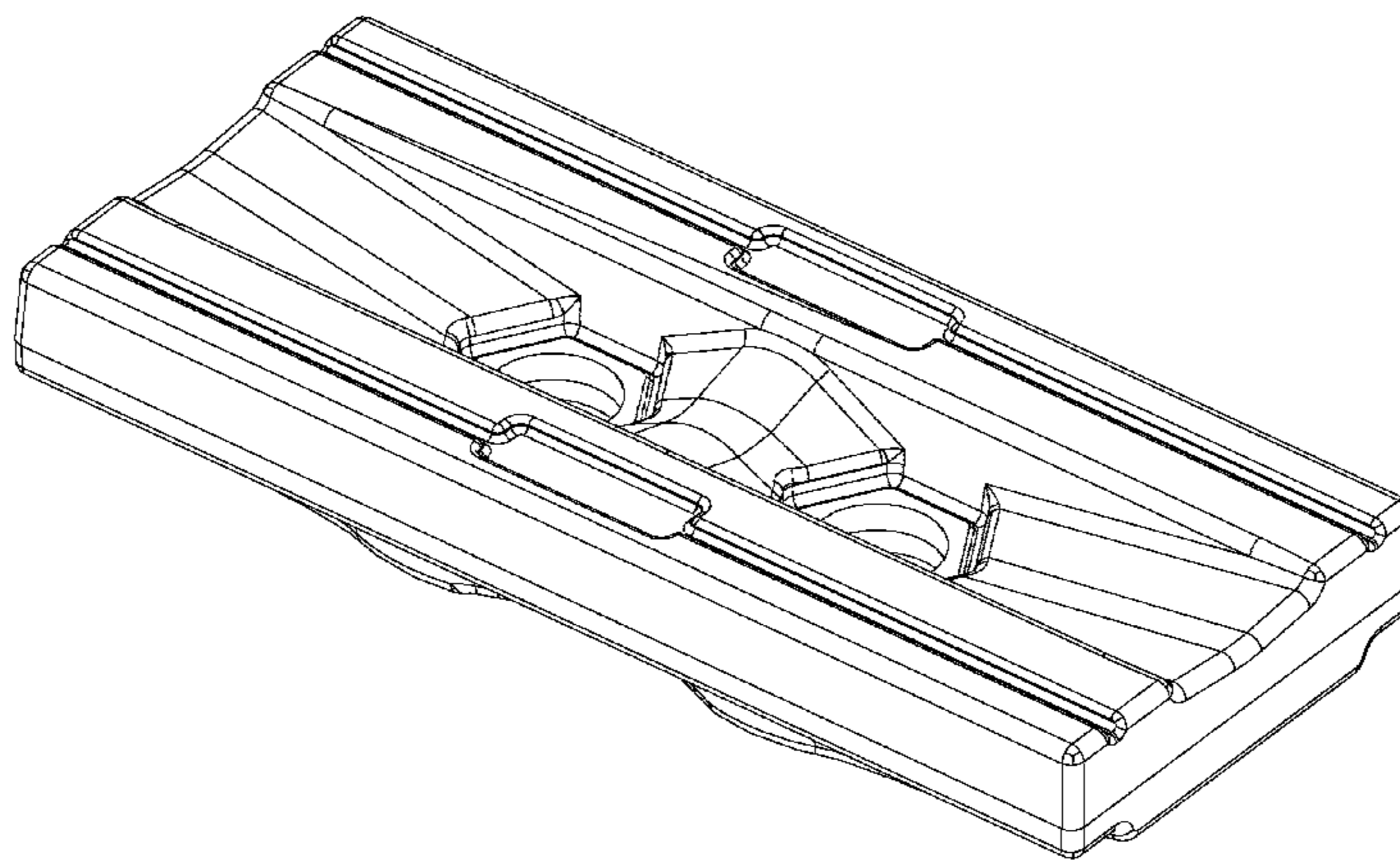
FIG. 4 is a front elevational view thereof;

FIG. 5 is a bottom perspective view thereof;

FIG. 6 is a right side elevational view thereof; and,

FIG. 7 is a left side elevational view thereof.

1 Claim, 7 Drawing Sheets



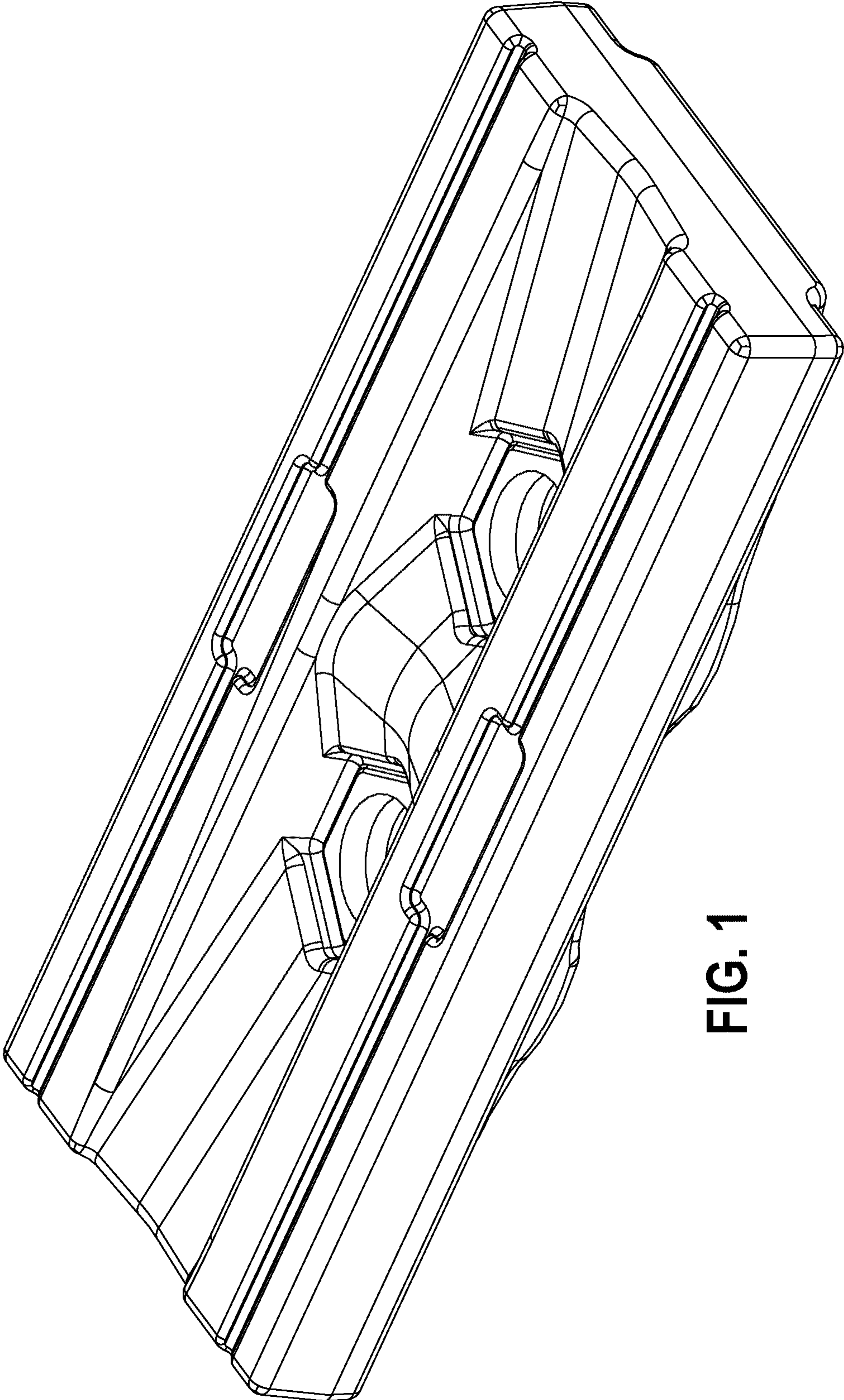


FIG. 1

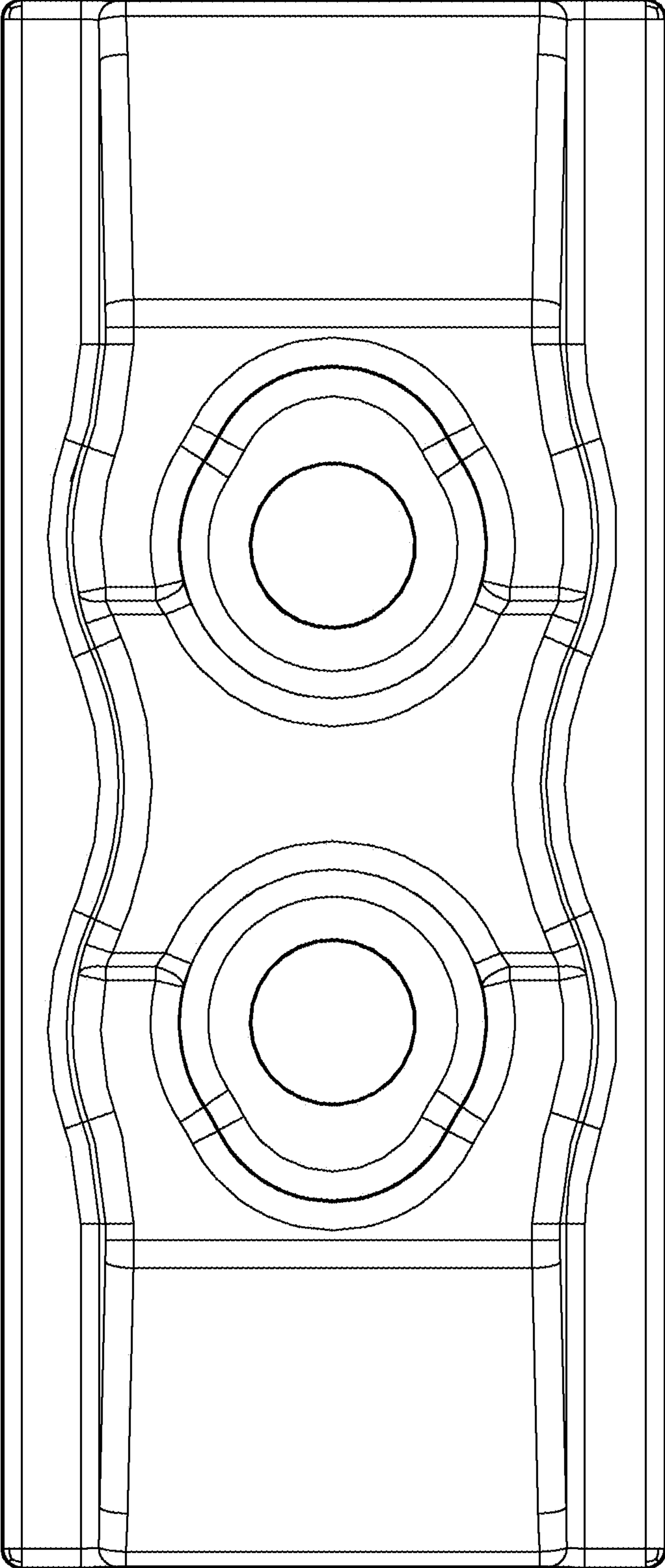


FIG. 2

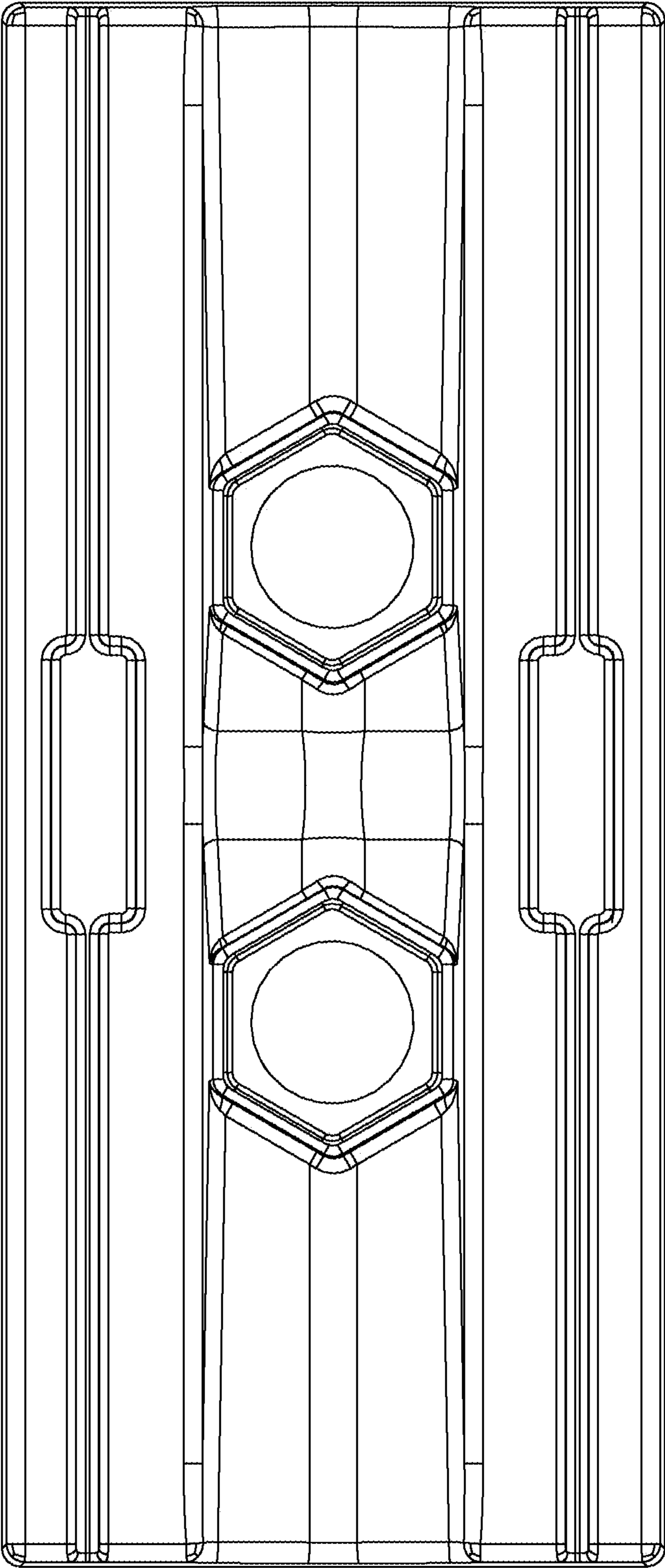


FIG. 3

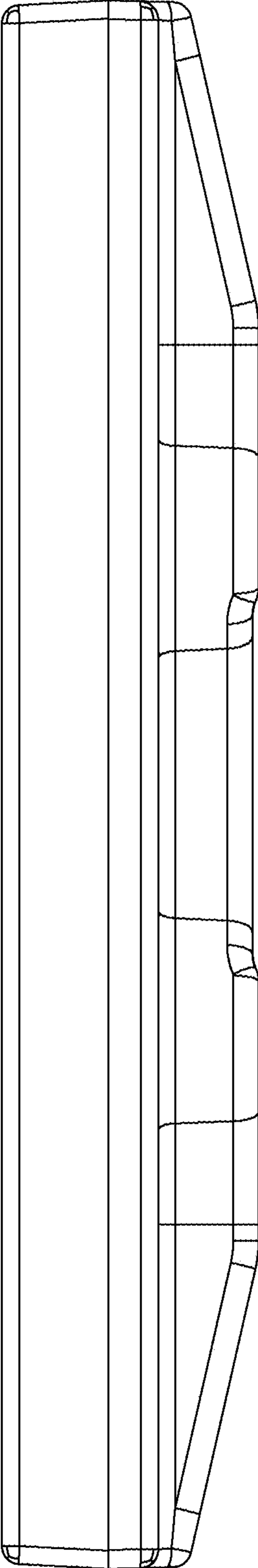


FIG. 4

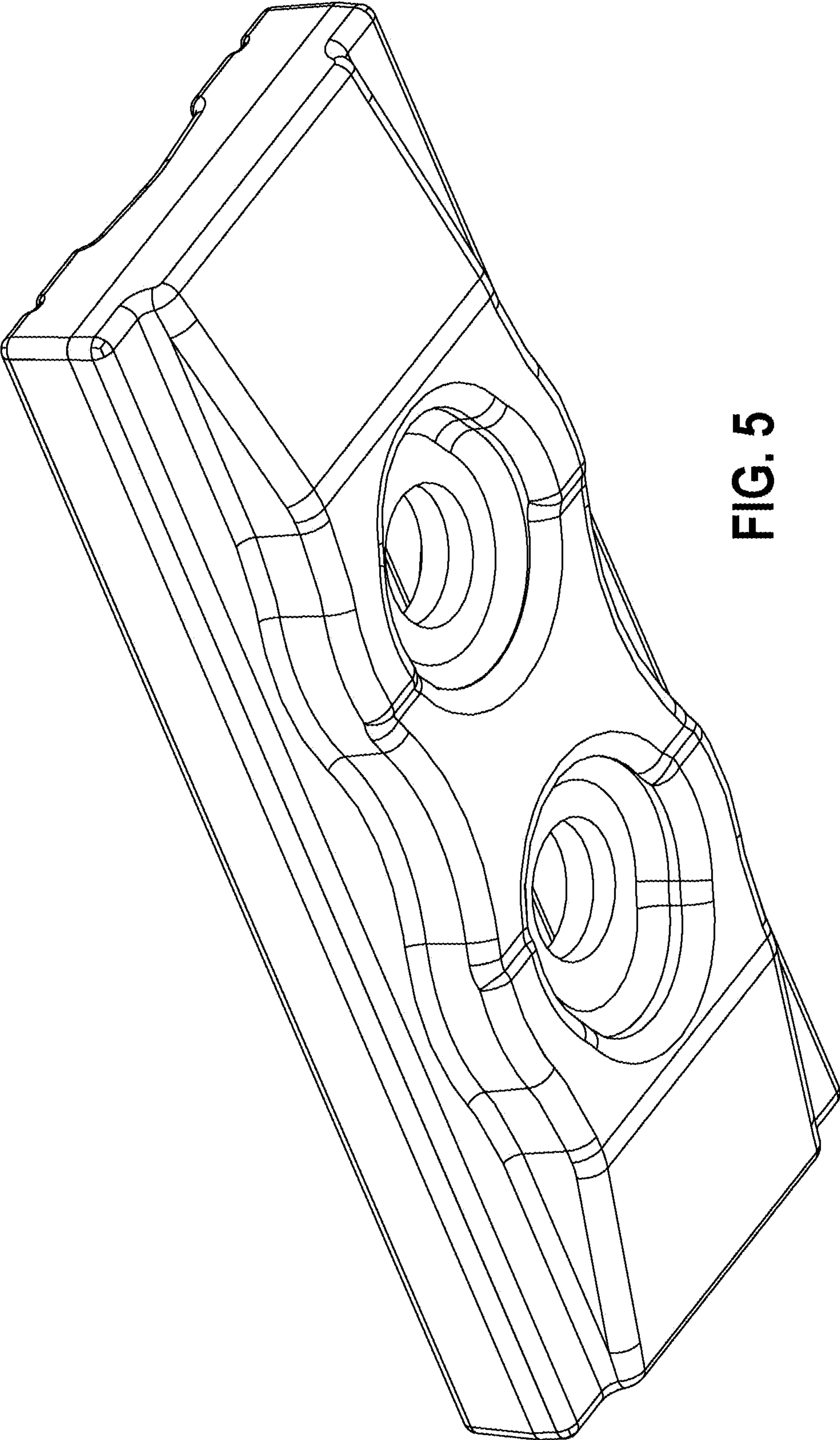


FIG. 5

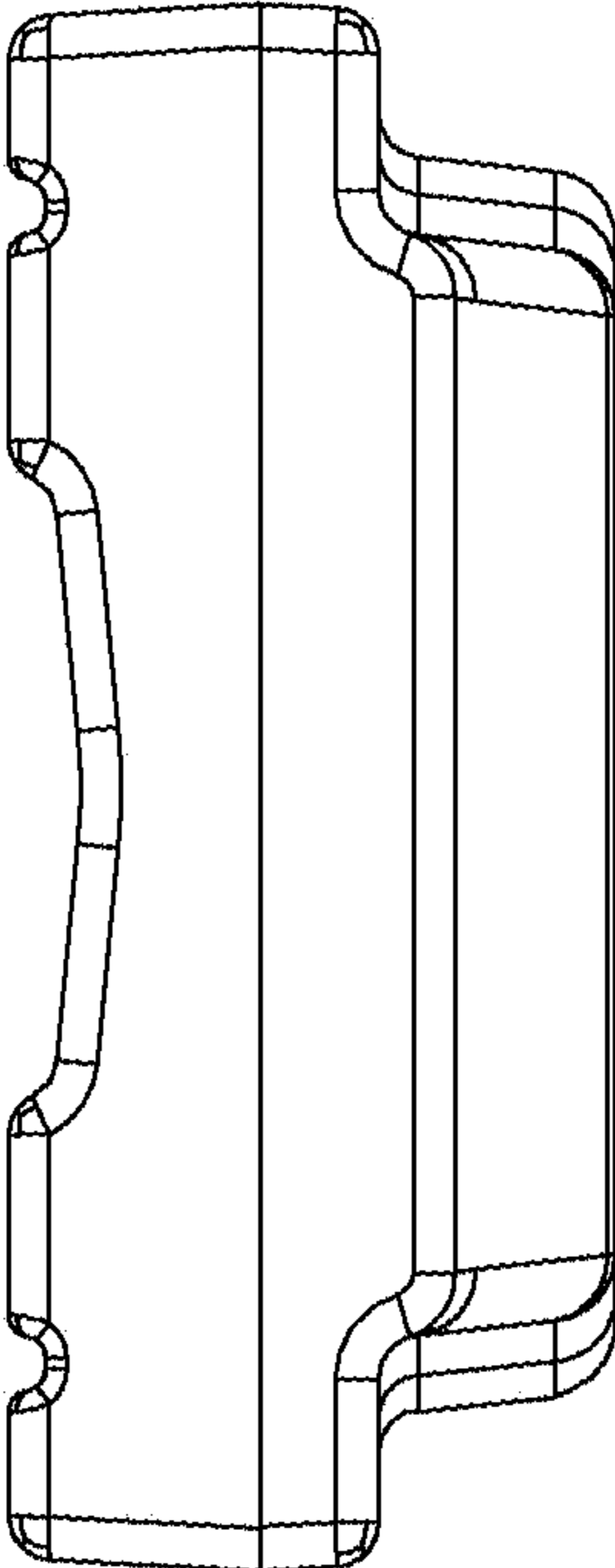


FIG. 6

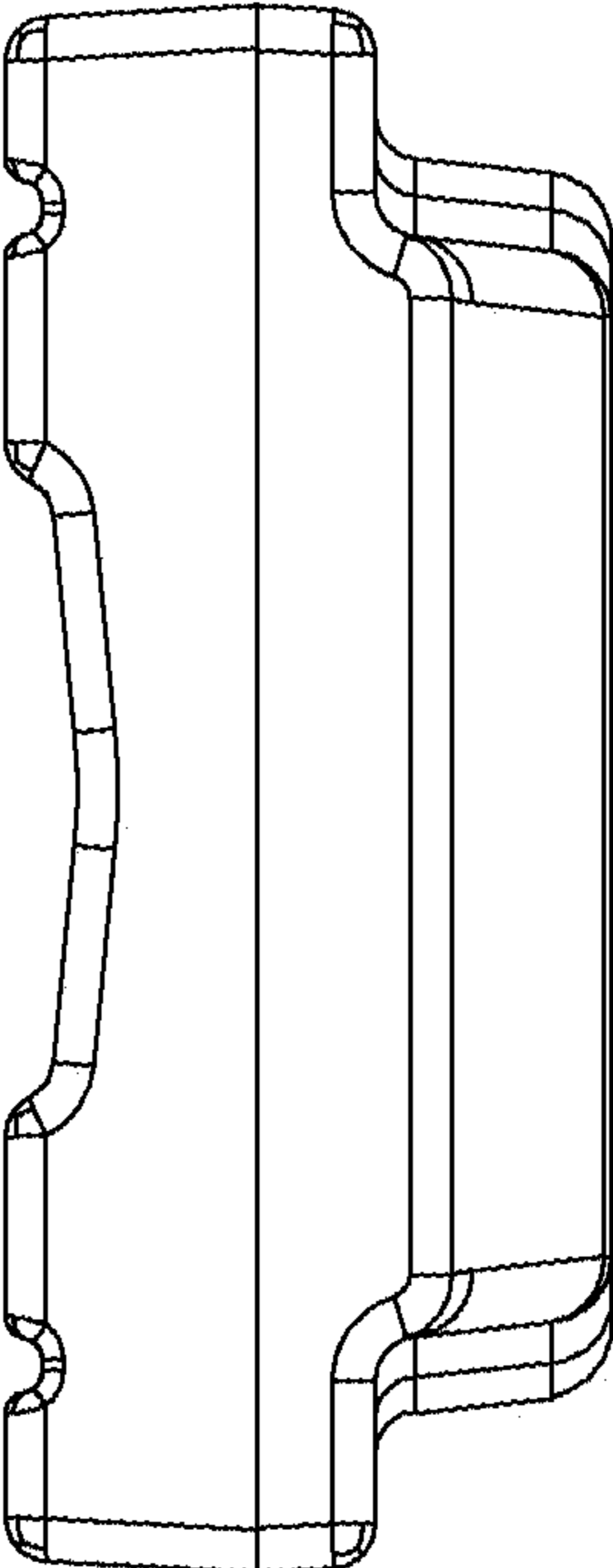


FIG. 7