



US00D717845S

(12) **United States Design Patent**  
**Wachsmann**

(10) **Patent No.:** **US D717,845 S**

(45) **Date of Patent:** **\*\* Nov. 18, 2014**

(54) **EJECTOR PLATE**

(71) Applicant: **BOMAG GmbH**, Boppard (DE)

(72) Inventor: **Steffen Wachsmann**, Koblenz (DE)

(73) Assignee: **BOMAG GmbH**, Boppard (DE)

(\*\*) Term: **14 Years**

(21) Appl. No.: **29/458,248**

(22) Filed: **Jun. 18, 2013**

(30) **Foreign Application Priority Data**

Dec. 19, 2012 (EP) ..... 002156406-0034

(51) **LOC (10) Cl.** ..... **15-09**

(52) **U.S. Cl.**  
USPC ..... **D15/135**

(58) **Field of Classification Search**  
USPC ..... D15/135, 136; 264/263, 259, 266, 334;  
425/125, 129.1, 438, 444, 556  
See application file for complete search history.

(56) **References Cited**

**U.S. PATENT DOCUMENTS**

6,638,467 B1 \* 10/2003 Yamamoto ..... 264/263  
D699,770 S \* 2/2014 Kmoch et al. .... D15/136

2009/0214694 A1 \* 8/2009 Mai ..... 425/577  
2012/0110783 A1 \* 5/2012 Kao et al. .... 16/110.1  
2013/0287885 A1 \* 10/2013 Schad ..... 425/556  
2013/0328245 A1 \* 12/2013 Liesen ..... 264/328.1

\* cited by examiner

*Primary Examiner* — Patricia Palasik

(74) *Attorney, Agent, or Firm* — Wood, Herron & Evans, LLP

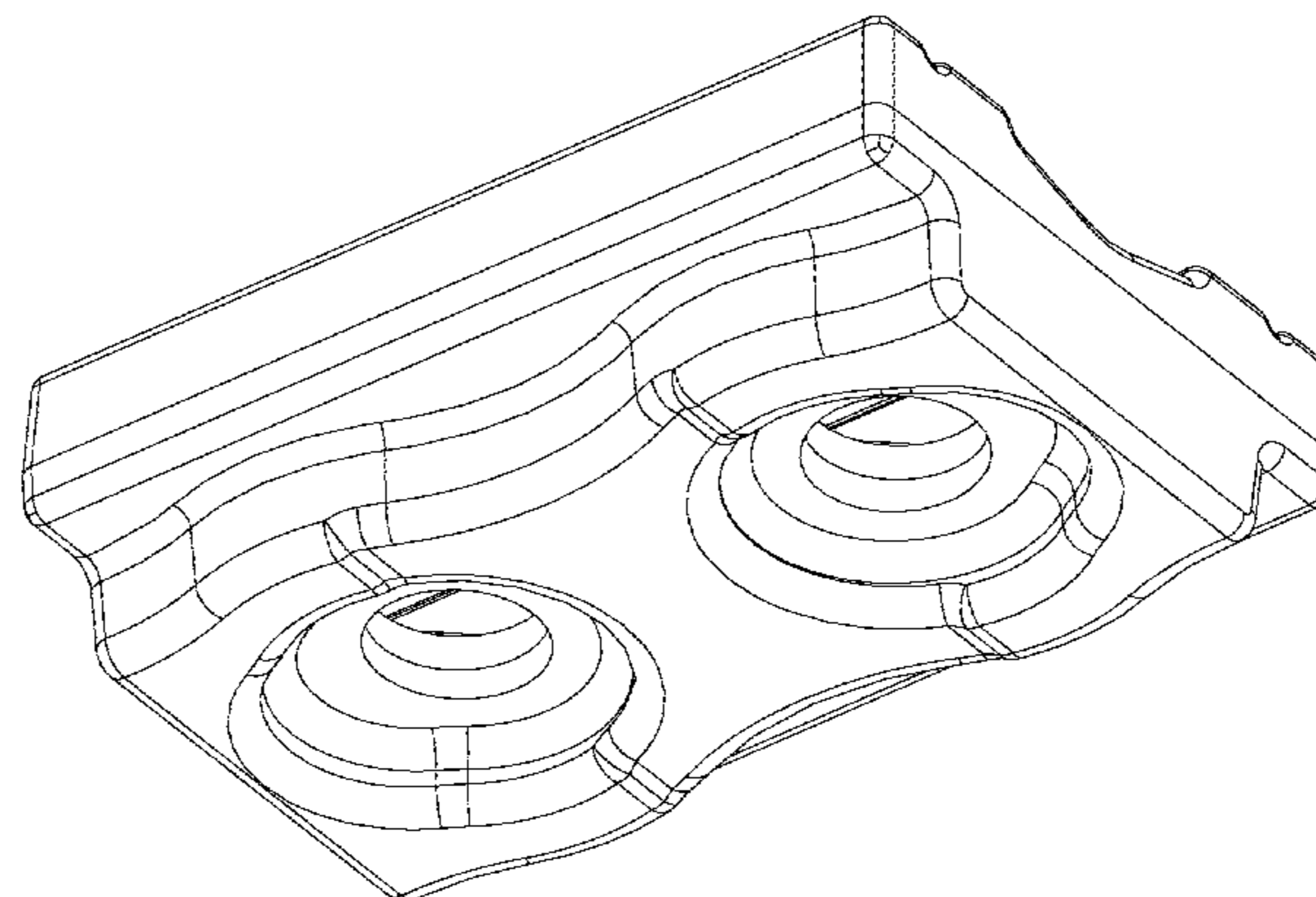
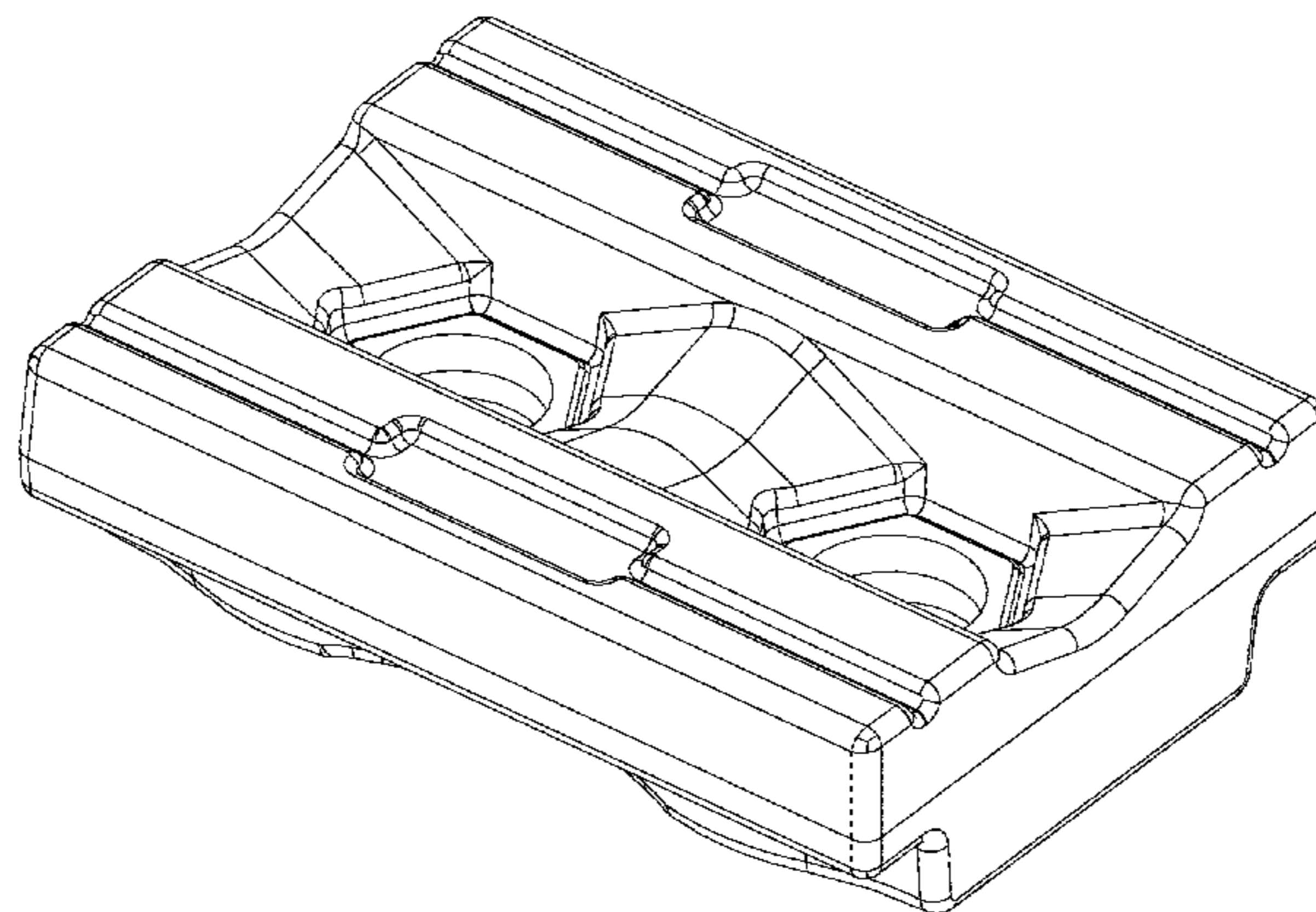
(57) **CLAIM**

The ornamental design for an ejector plate, as shown and described.

**DESCRIPTION**

FIG. 1 is a top perspective view of my new ejector plate design;  
FIG. 2 is a bottom plan view thereof;  
FIG. 3 is a top plan view thereof;  
FIG. 4 is a front elevational view thereof;  
FIG. 5 is a bottom perspective view thereof;  
FIG. 6 is a right side elevational view thereof; and,  
FIG. 7 is a left side elevational view thereof.

**1 Claim, 7 Drawing Sheets**



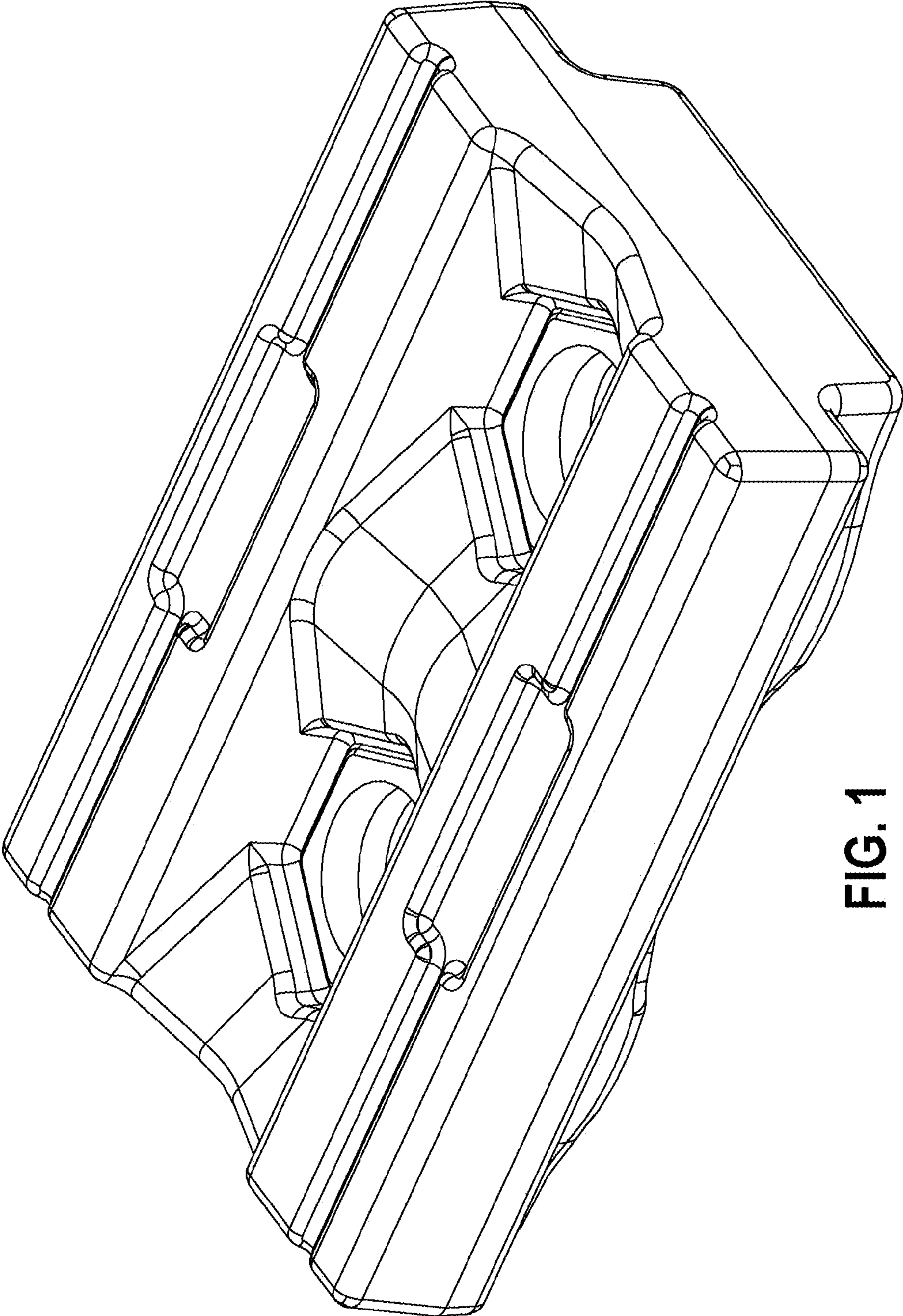


FIG. 1

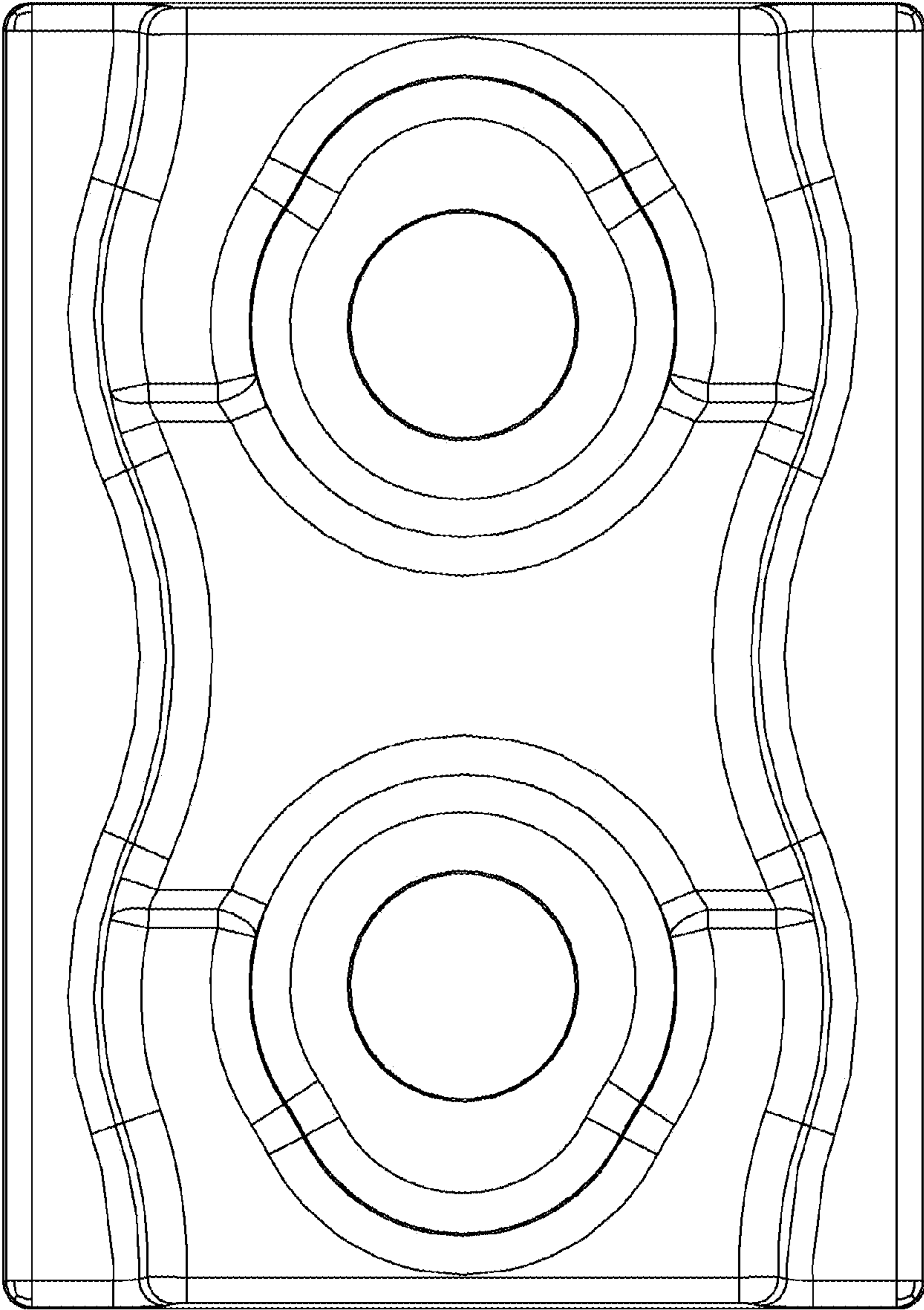


FIG. 2

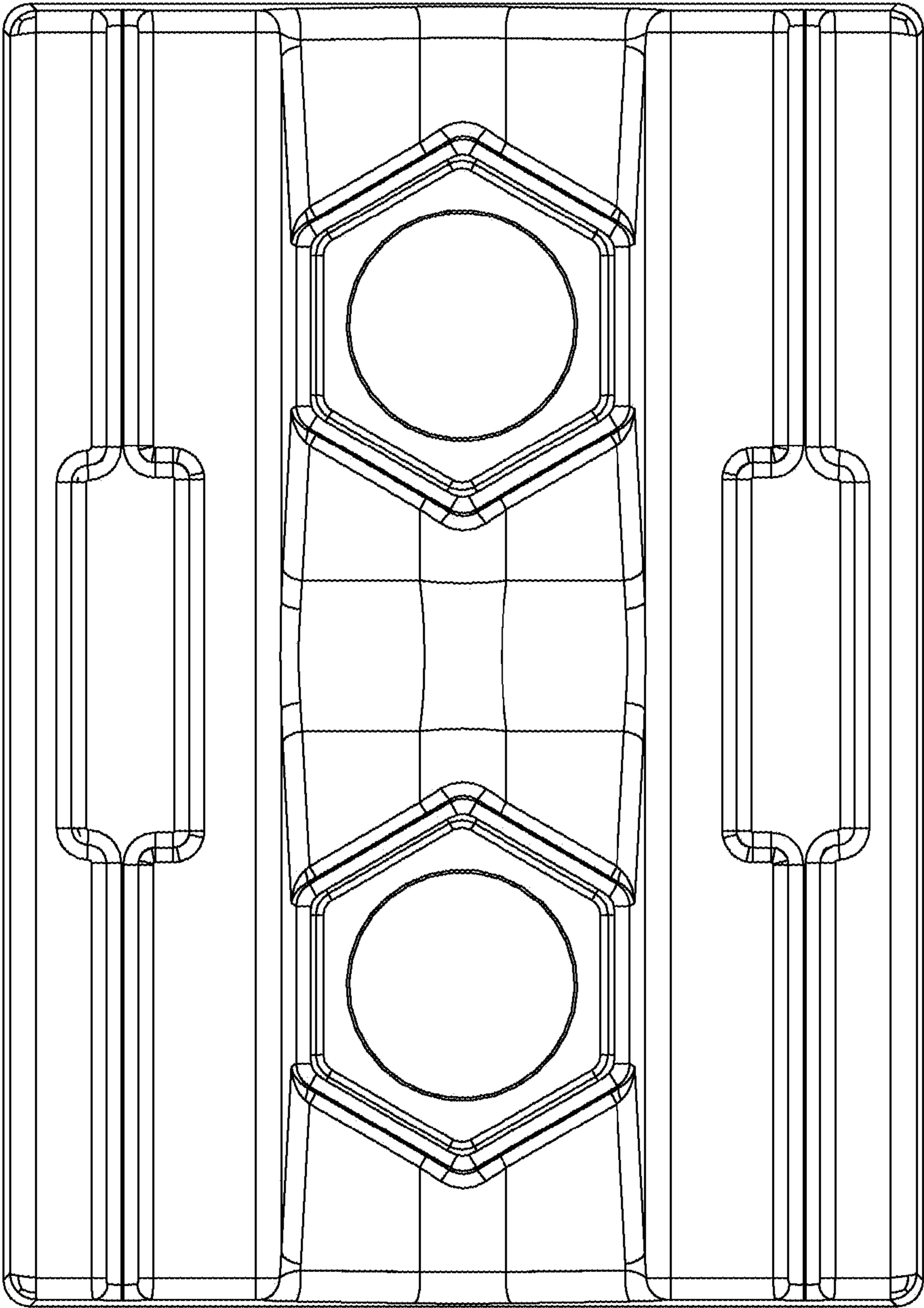


FIG. 3

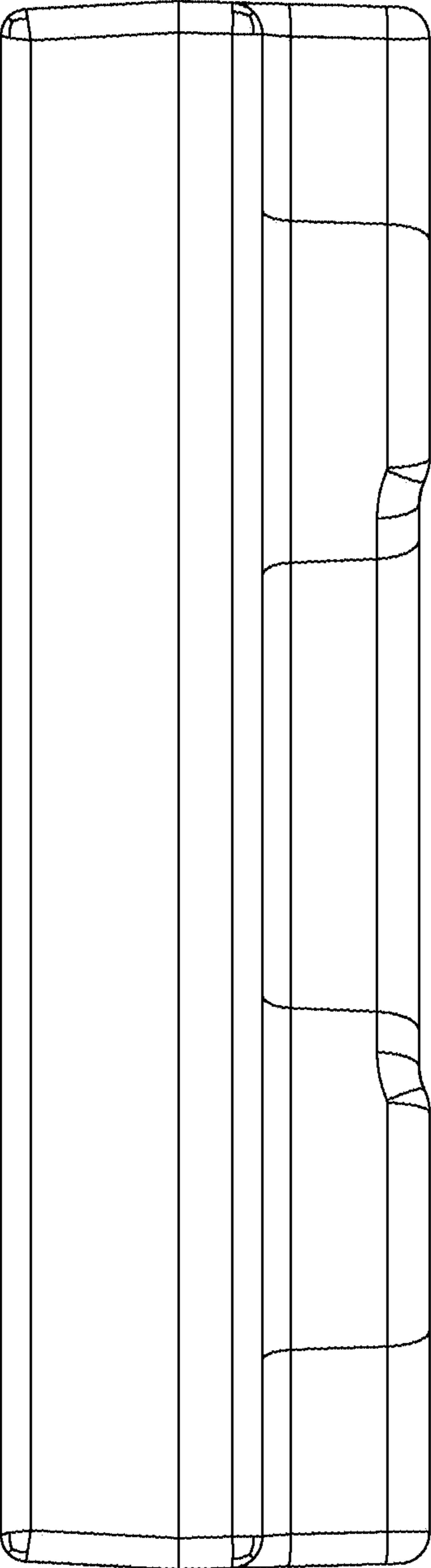


FIG. 4

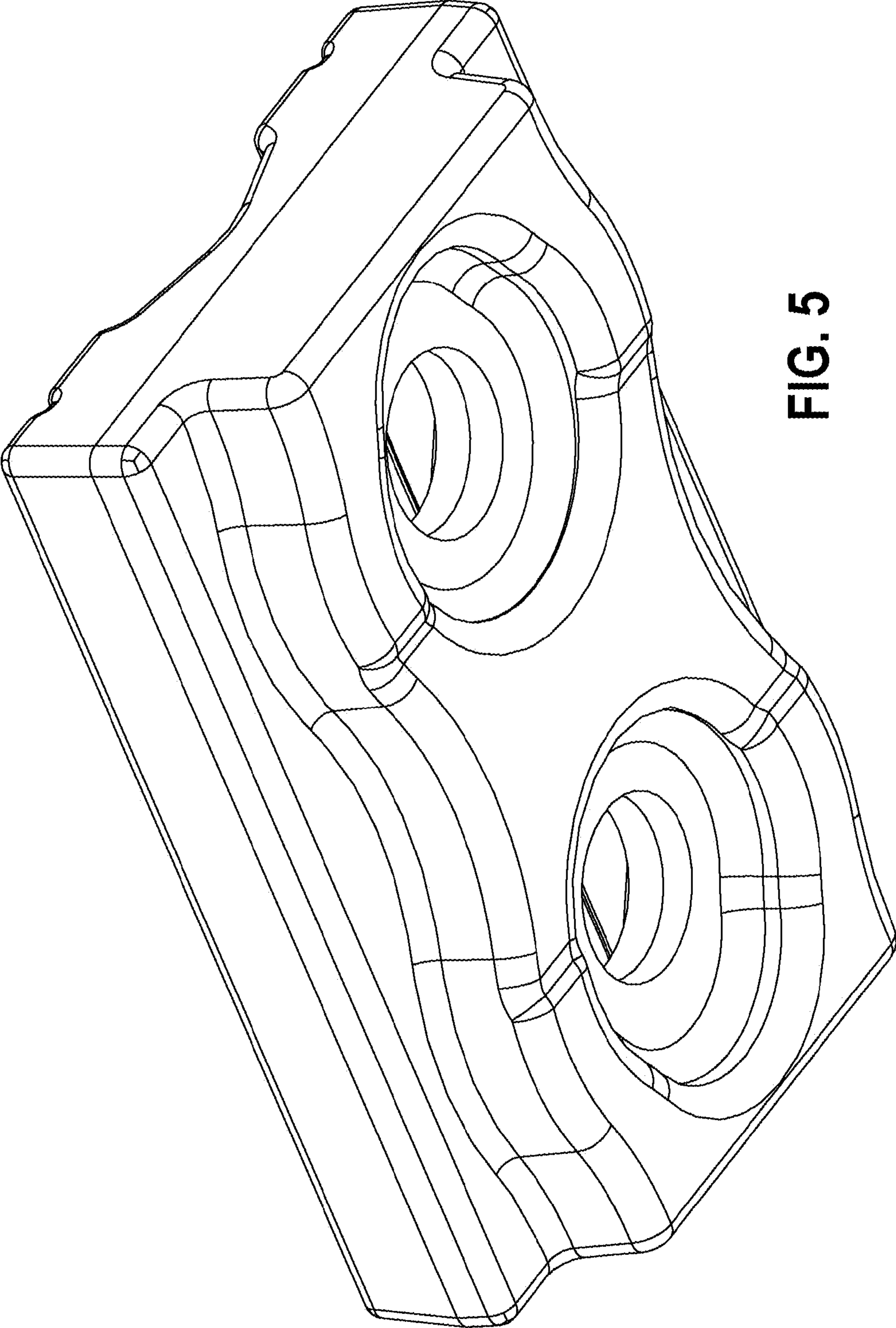


FIG. 5

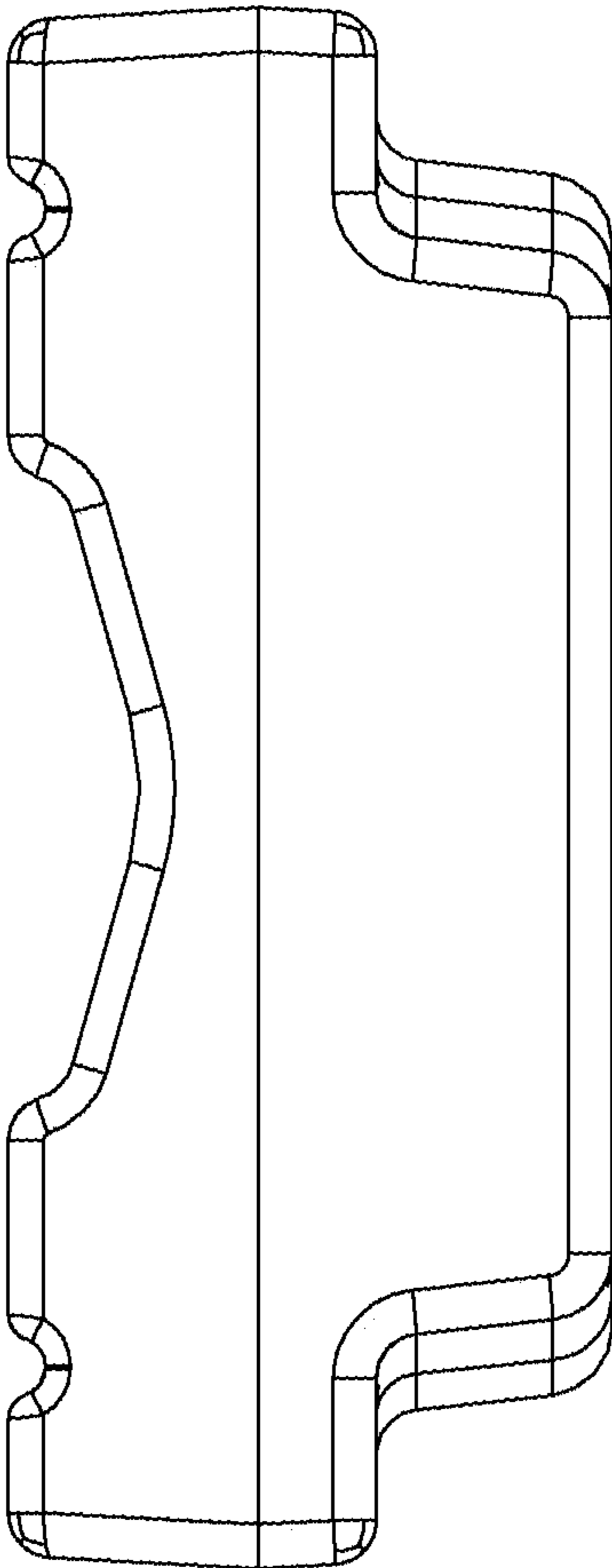


FIG. 6

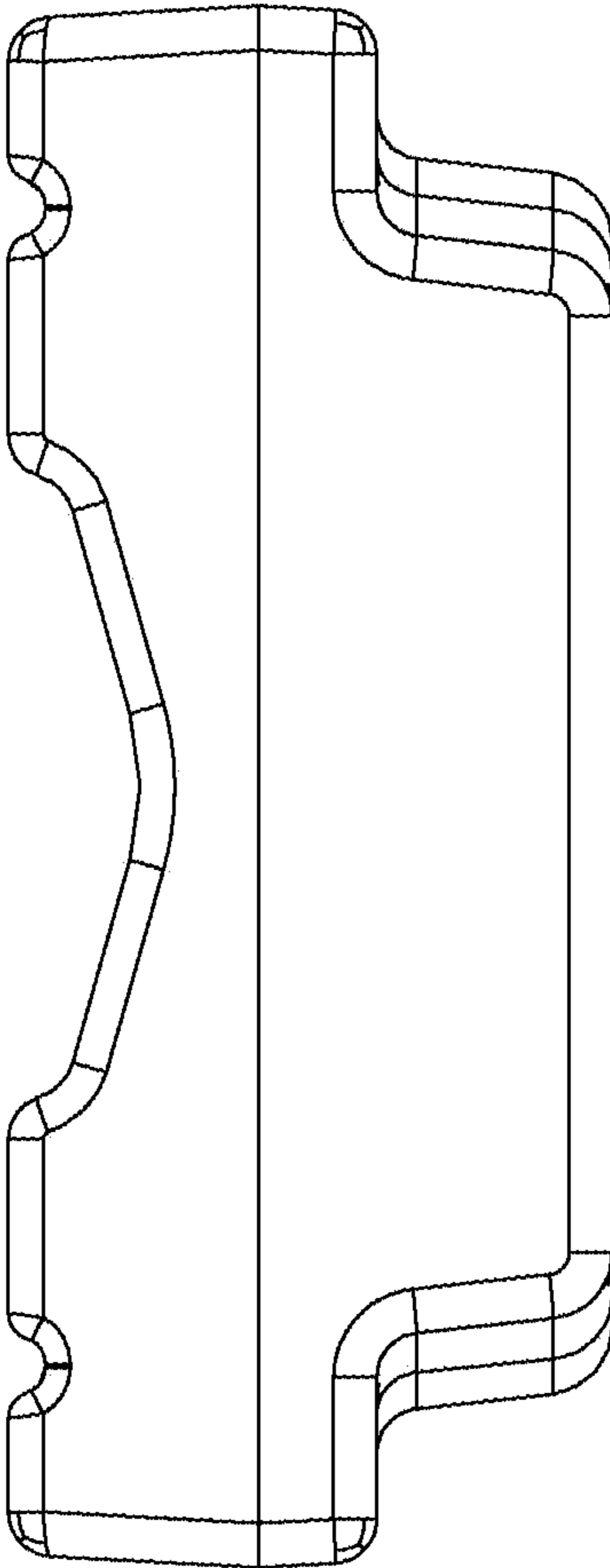


FIG. 7