



US00D717844S

(12) **United States Design Patent**  
**Cappuccio**

(10) **Patent No.:** **US D717,844 S**

(45) **Date of Patent:** **\*\* Nov. 18, 2014**

(54) **POWER SAW DUST COLLECTOR**

(71) Applicant: **Louis W Cappuccio**, Hammonton, NJ  
(US)

(72) Inventor: **Louis W Cappuccio**, Hammonton, NJ  
(US)

(\*\*) Term: **14 Years**

(21) Appl. No.: **29/489,178**

(22) Filed: **Apr. 28, 2014**

(51) **LOC (10) Cl.** ..... **15-09**

(52) **U.S. Cl.**

USPC ..... **D15/133**; D15/138

(58) **Field of Classification Search**

USPC ..... D8/61-71, 90, 363; D15/124-126, 133,  
D15/138-140; 30/124; 83/24, 471.3, 665,  
83/859; 125/13.01; 144/252.1; 451/41, 47,  
451/56, 324, 342, 347-349, 357-360, 364,  
451/388, 406, 408, 420-423, 451, 456,  
451/547-549

See application file for complete search history.

(56) **References Cited**

**U.S. PATENT DOCUMENTS**

3,401,724	A *	9/1968	Kreitz	83/471.3
3,525,183	A *	8/1970	Gargrave	451/453
3,882,598	A *	5/1975	Earle et al.	30/390
D360,460	S *	7/1995	Perrault et al.	D23/364
D376,526	S *	12/1996	Hepburn	D8/70
D499,625	S *	12/2004	Stirm	D8/70
D546,156	S *	7/2007	Aglassinger et al.	D8/70
D579,096	S *	10/2008	Guzorek	D23/370
D589,318	S *	3/2009	Meyer	D8/70

D614,678	S *	4/2010	Jorgensen et al.	D15/138
D685,402	S *	7/2013	Cappuccio	D15/133
2005/0037699	A1 *	2/2005	Park	451/344
2011/0079207	A1 *	4/2011	Guth	125/13.01

\* cited by examiner

*Primary Examiner* — Patricia Palasik

(74) *Attorney, Agent, or Firm* — Stuart M. Goldstein

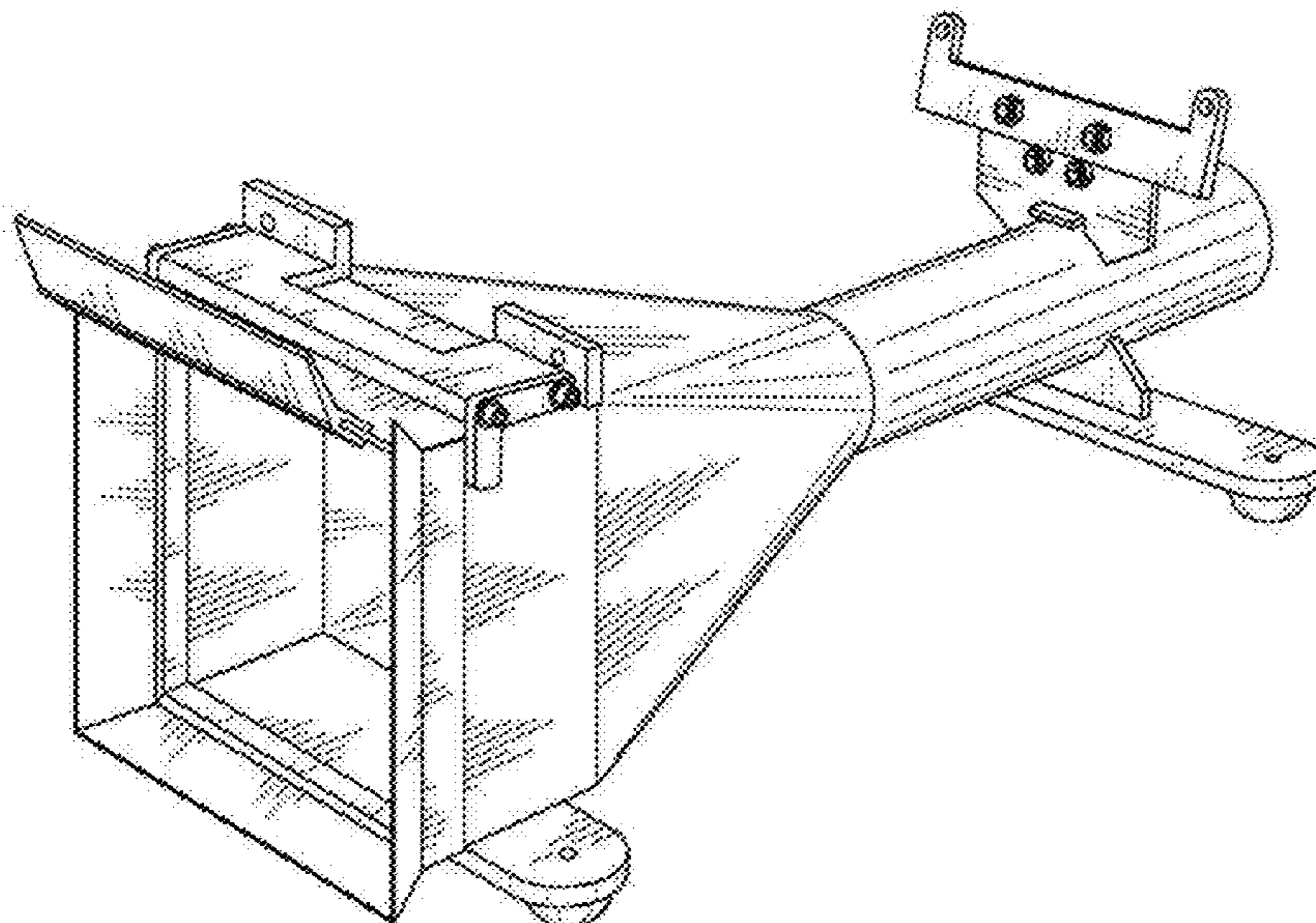
(57) **CLAIM**

The ornamental design for a power saw dust collector, as shown and described.

**DESCRIPTION**

FIG. 1 is a perspective view of the power saw dust collector of the present invention.  
 FIG. 2 is an elevation view of the power saw dust collector of the present invention.  
 FIG. 3 is an opposite side elevation view of the power saw dust collector of the present invention.  
 FIG. 4 is a front end view of the power saw dust collector of the present invention.  
 FIG. 5 is a rear end view of the power saw dust collector of the present invention.  
 FIG. 6 is a top plan view of the power saw dust collector of the present invention.  
 FIG. 7 is a bottom plan view of the power saw dust collector of the present invention; and,  
 FIG. 8 is an elevation view of the power saw dust collector of the present invention in use condition. The broken line showing the power saw is included for the purpose of illustrating environmental conditions and forms no part of the claimed design.

**1 Claim, 5 Drawing Sheets**



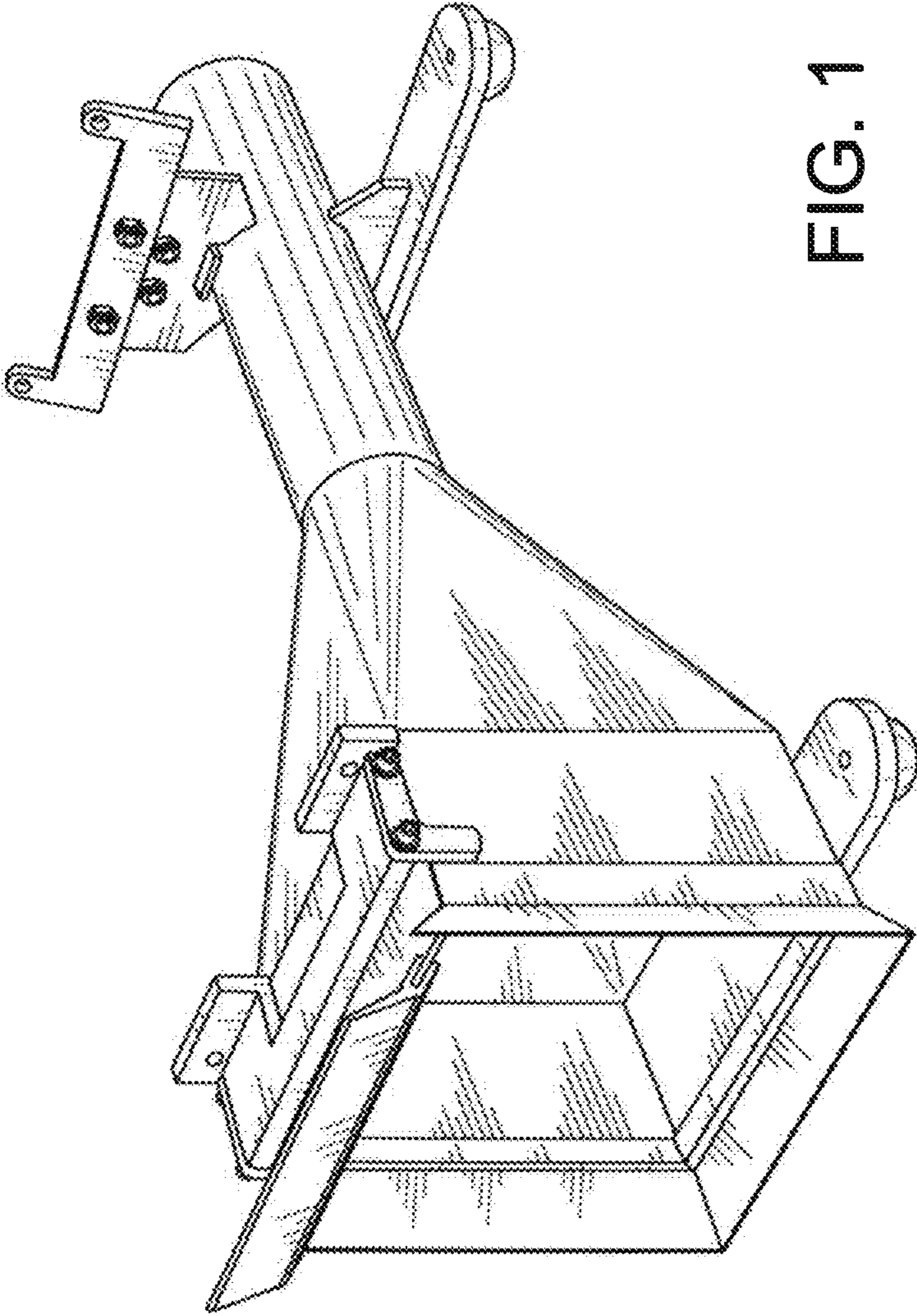


FIG. 1

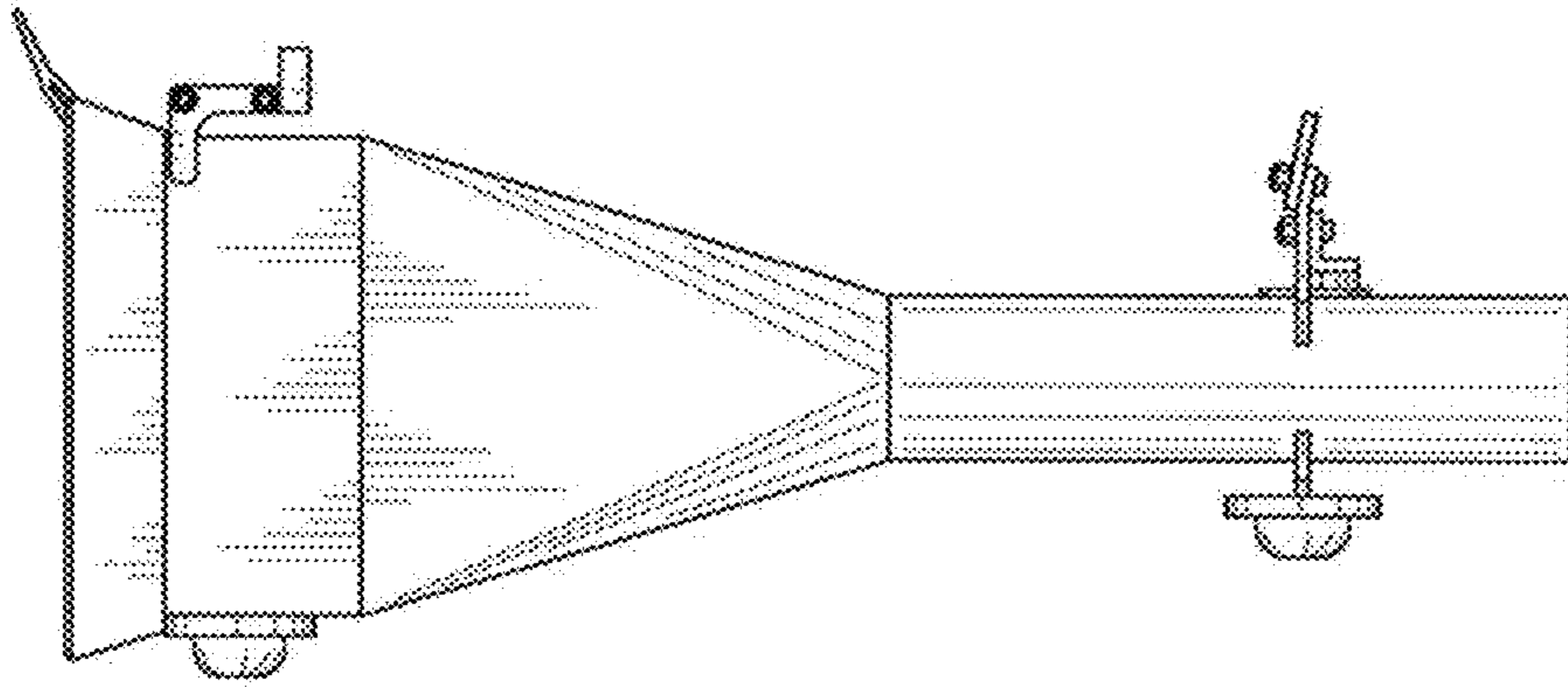


FIG. 2

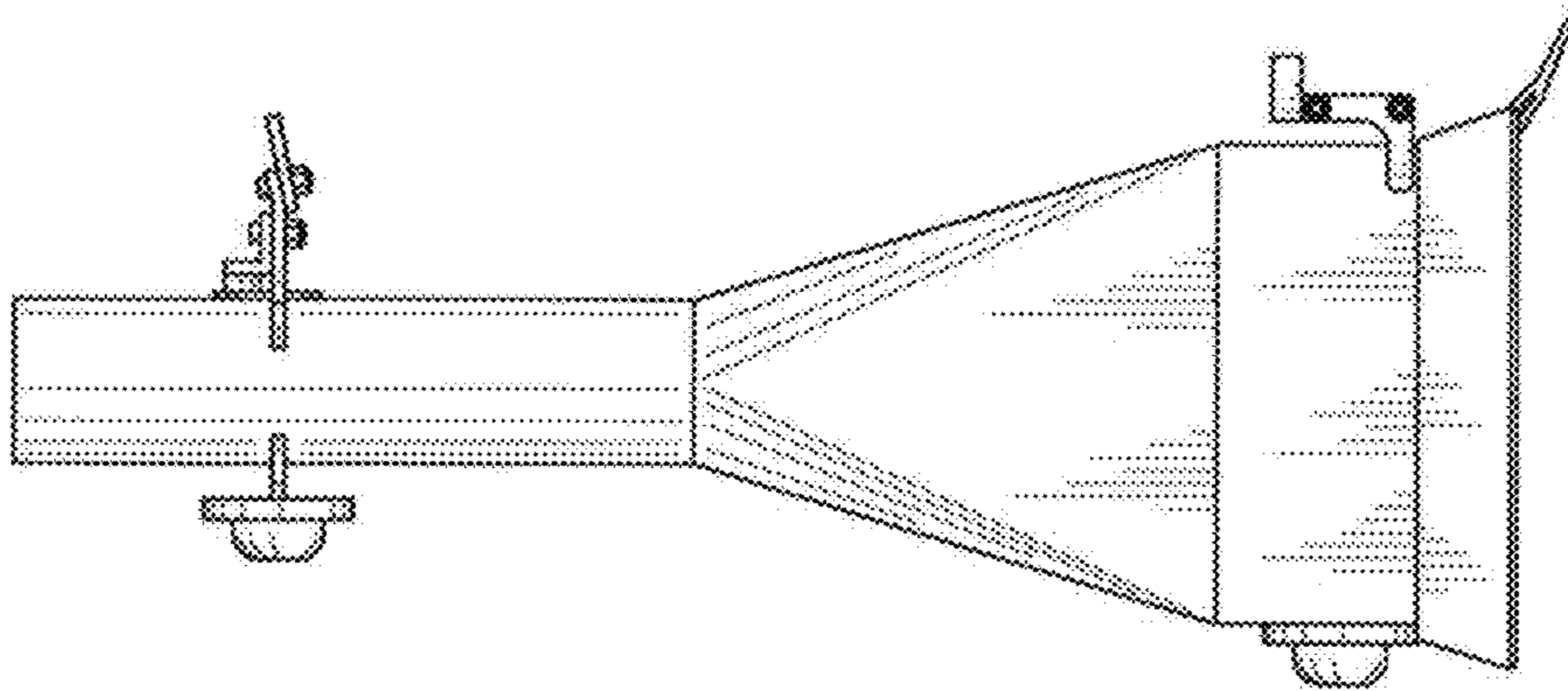


FIG. 3

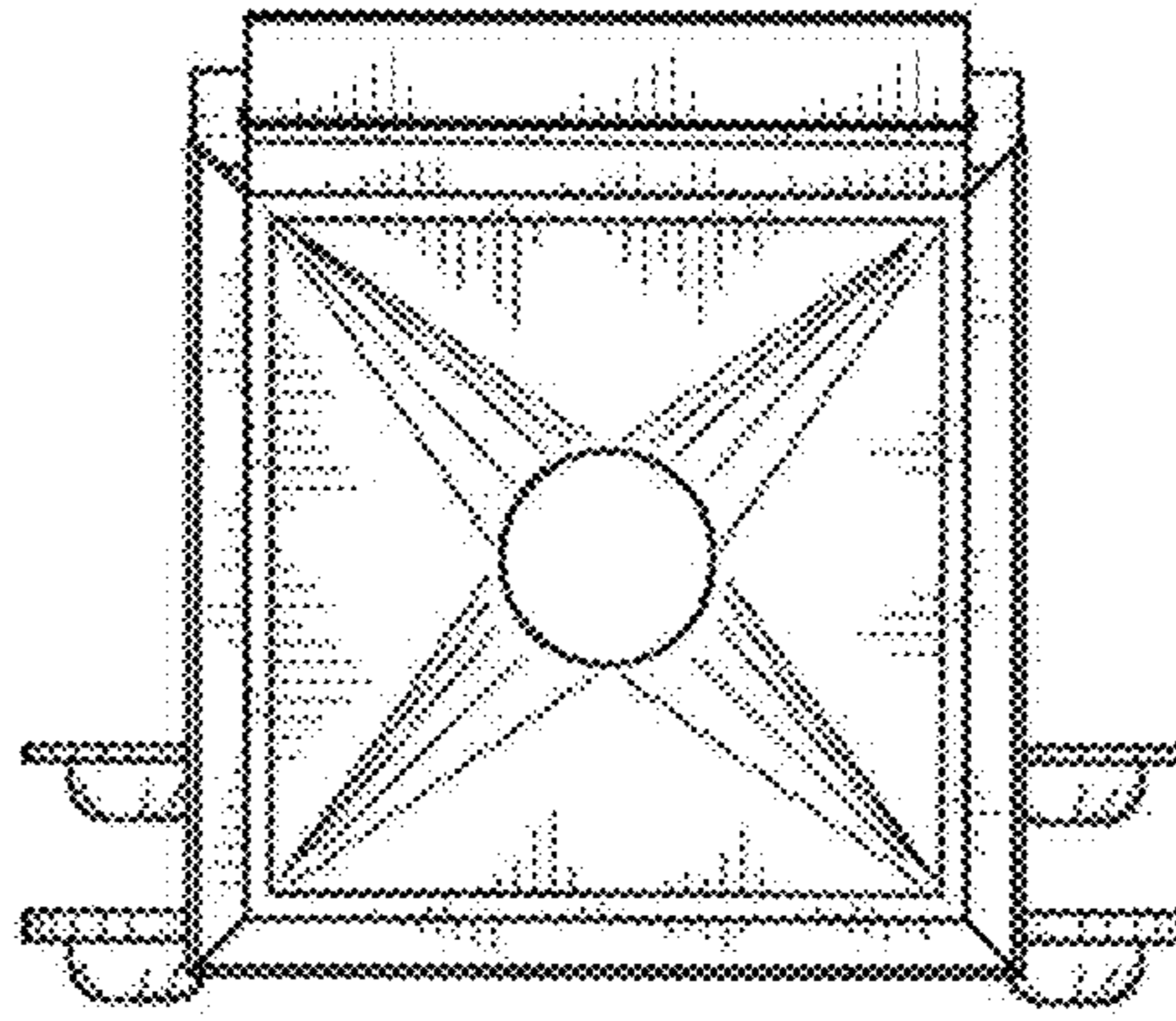


FIG. 4

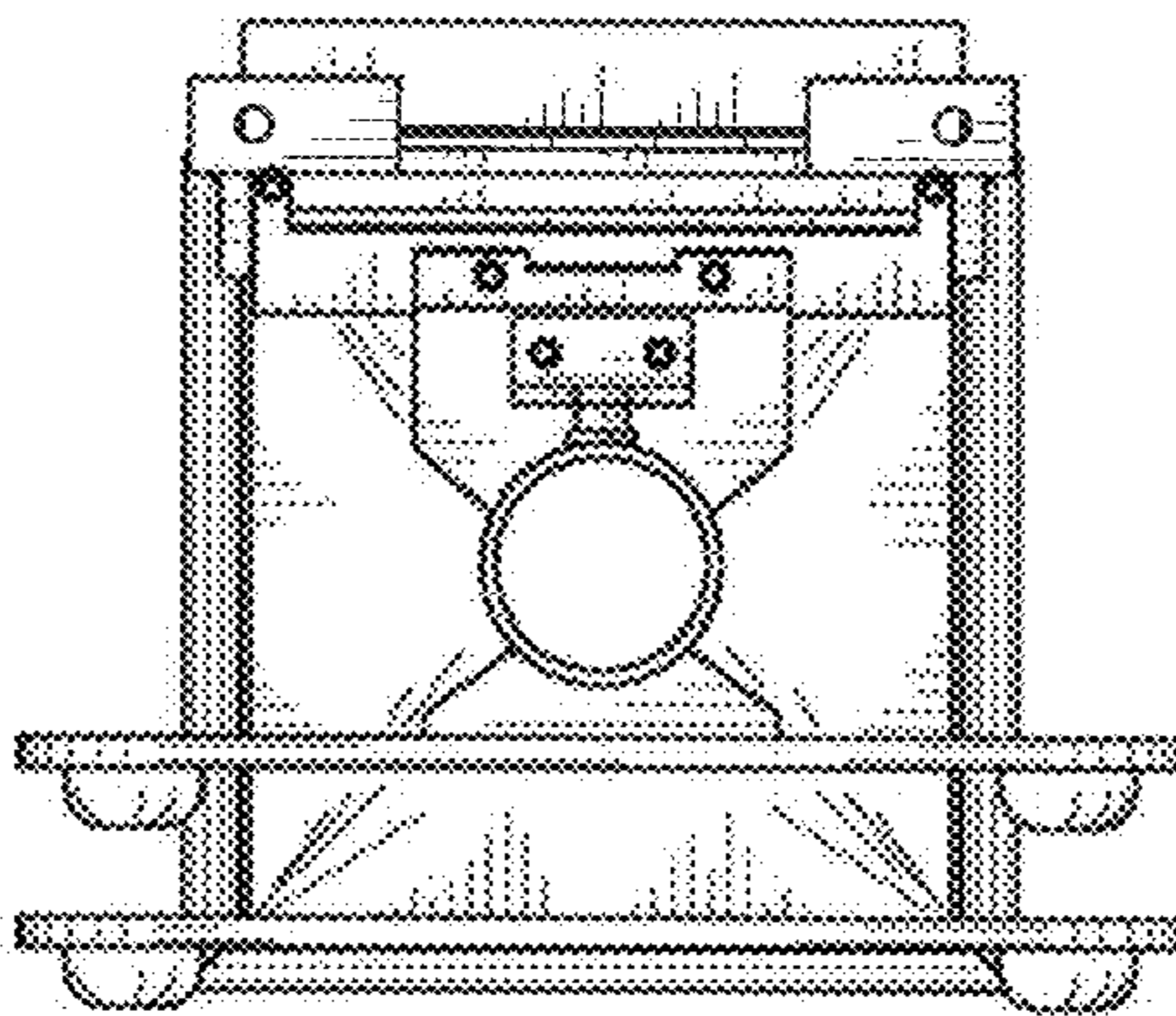


FIG. 5

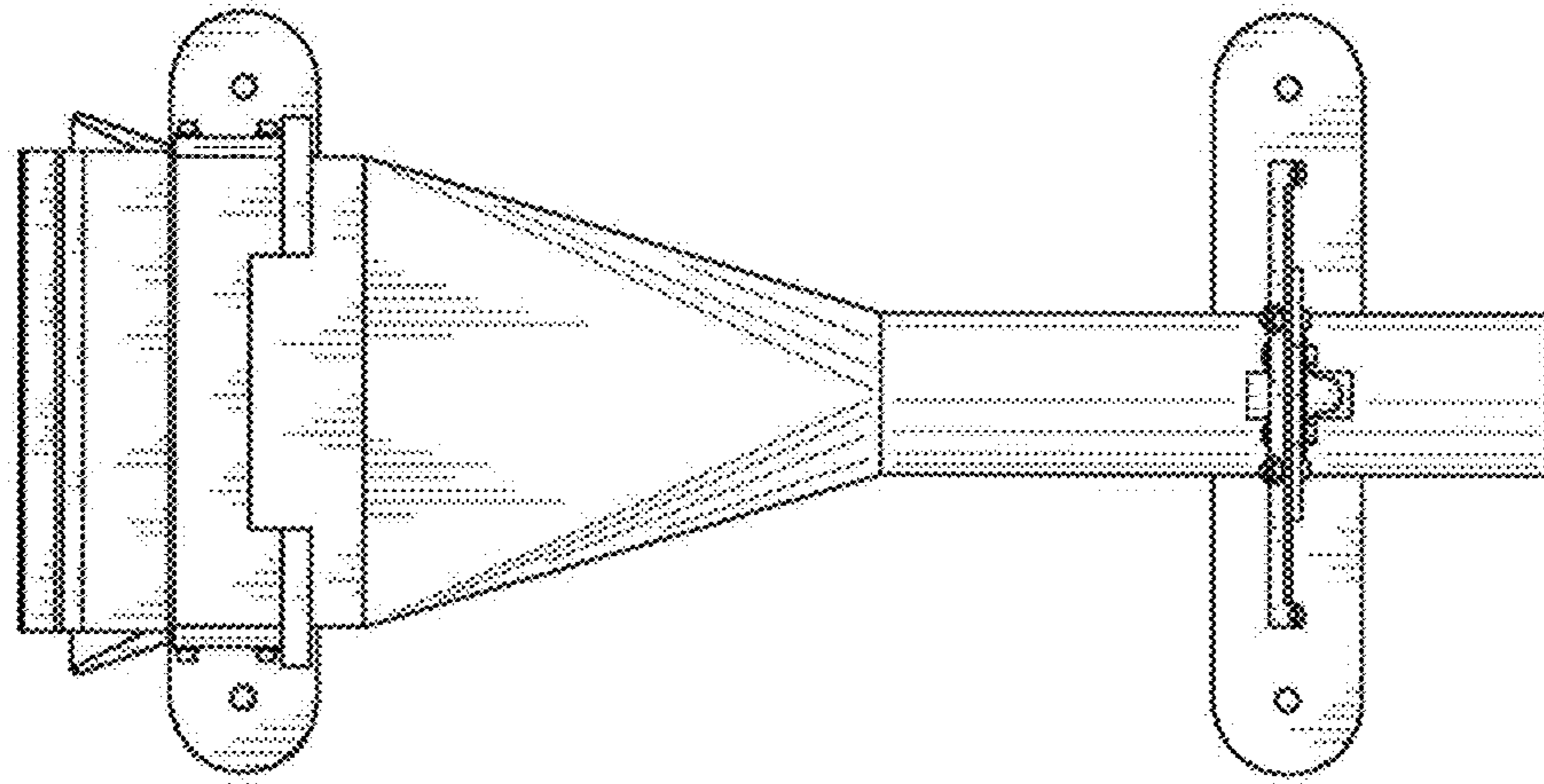


FIG. 6

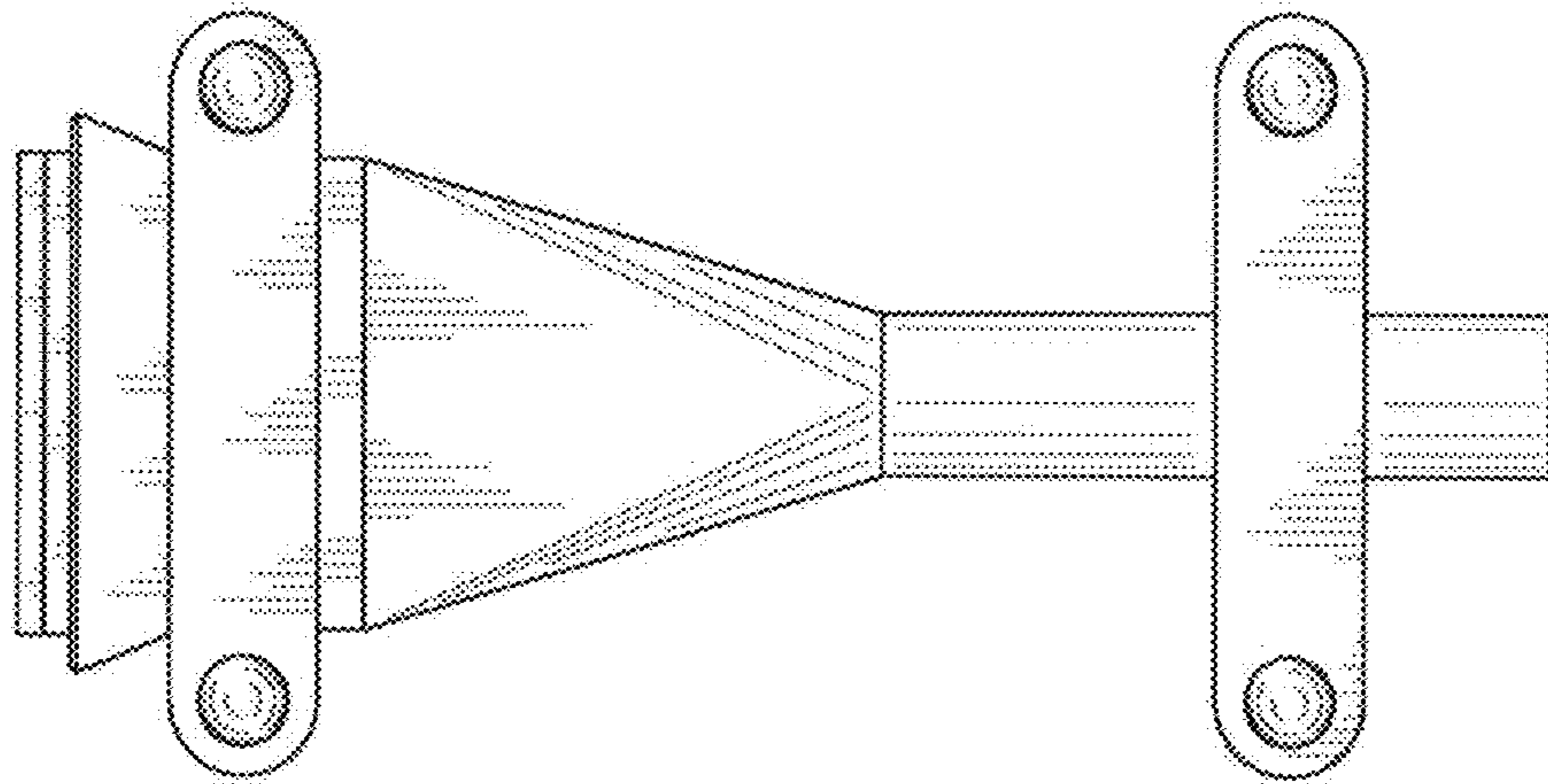


FIG. 7

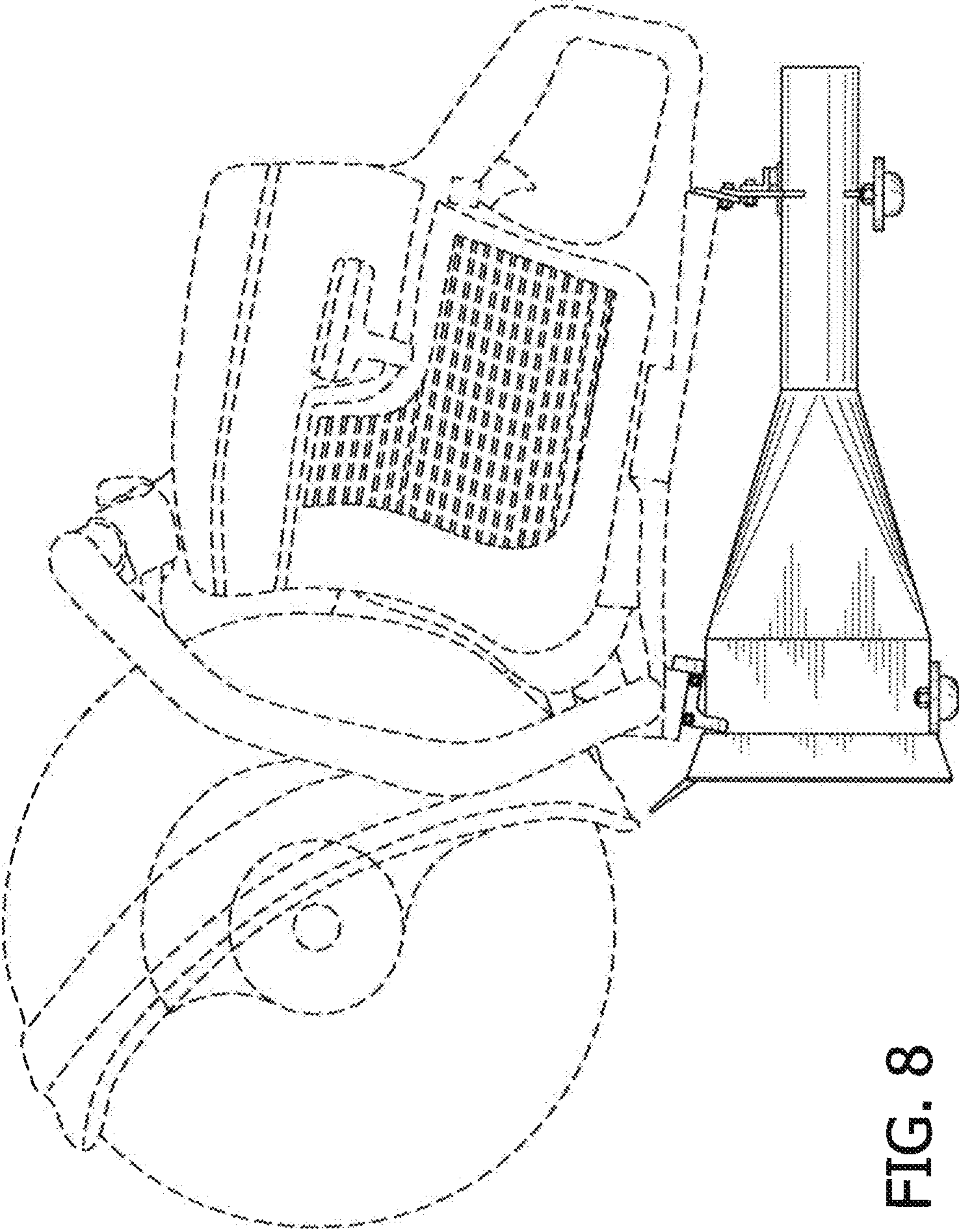


FIG. 8