



US00D717838S

(12) **United States Design Patent**  
**Kuwae et al.**

(10) **Patent No.:** **US D717,838 S**  
(45) **Date of Patent:** **\*\* Nov. 18, 2014**

- (54) **TRACTOR**
- (71) Applicant: **Kubota Corporation**, Osaka (JP)
- (72) Inventors: **Junta Kuwae**, Sakai (JP); **Kenichi Sato**, Izumi (JP)
- (73) Assignee: **Kubota Corporation**, Osaka (JP)
- (\*\*) Term: **14 Years**
- (21) Appl. No.: **29/468,466**
- (22) Filed: **Sep. 30, 2013**

D605,668 S *	12/2009	Matsumoto et al. ....	D15/23
D611,963 S	3/2010	Kuwae et al.	
D613,313 S *	4/2010	Bhanuprakash .....	D15/23
D613,777 S *	4/2010	Bianco et al. ....	D15/33
D622,292 S *	8/2010	Ryczek et al. ....	D15/15
D622,295 S *	8/2010	Ryczek et al. ....	D15/31
D641,027 S *	7/2011	Kawashiri et al. ....	D15/23

- (30) **Foreign Application Priority Data**
- Jul. 26, 2013 (JP) ..... 2013-017129
- (51) **LOC (10) Cl.** ..... **12-09**
- (52) **U.S. Cl.**
- USPC ..... **D15/23**
- (58) **Field of Classification Search**
- USPC ..... D15/10, 14-17, 22-26, 28, 30, 31;  
D12/173; 56/13.4, 13.3, 15.8, 15.9,  
56/16.1, 16.7, 175, 202, 320.1; 180/89.1,  
180/89.12, 900, 69.2, 68.1, 69.1
- See application file for complete search history.

**FOREIGN PATENT DOCUMENTS**

EM	001014963-0001	10/2008
JP	D1281353 S	9/2006
JP	D1351868 S	1/2009
JP	D1351867 S	2/2009
JP	D1369645 S	9/2009
JP	D1455746 S	11/2012
KR	30-0546932	12/2009

\* cited by examiner

*Primary Examiner* — Mark Goodwin  
(74) *Attorney, Agent, or Firm* — Masuvalley & Partners

(57) **CLAIM**  
The ornamental design for a tractor, as shown and described.

**DESCRIPTION**

FIG. 1 is a first perspective view of the tractor according to the invention;  
 FIG. 2 is a second perspective view of the tractor of FIG. 1;  
 FIG. 3 is a front elevation view of the tractor of FIG. 1;  
 FIG. 4 is a rear elevation view of the tractor of FIG. 1;  
 FIG. 5 is a left side elevation view of the tractor of FIG. 1;  
 FIG. 6 is a right side elevation view of the tractor of FIG. 1;  
 and,  
 FIG. 7 is a top plan view of the tractor of FIG. 1.  
 The broken line disclosure, as well as line shading in parts of the drawings are included for the purpose of illustrating use and environment and form no part of the claimed design.

**1 Claim, 7 Drawing Sheets**

- (56) **References Cited**
- U.S. PATENT DOCUMENTS
- D438,546 S \* 3/2001 Katoh et al. .... D15/23
- D501,487 S \* 2/2005 Katoh et al. .... D15/23
- D526,335 S 8/2006 Kuwae et al.
- D547,333 S \* 7/2007 Nishi et al. .... D15/23
- D553,159 S \* 10/2007 Higashikawa et al. .... D15/23
- D581,953 S \* 12/2008 Matsumoto et al. .... D15/23
- D599,826 S \* 9/2009 Kuwae ..... D15/26

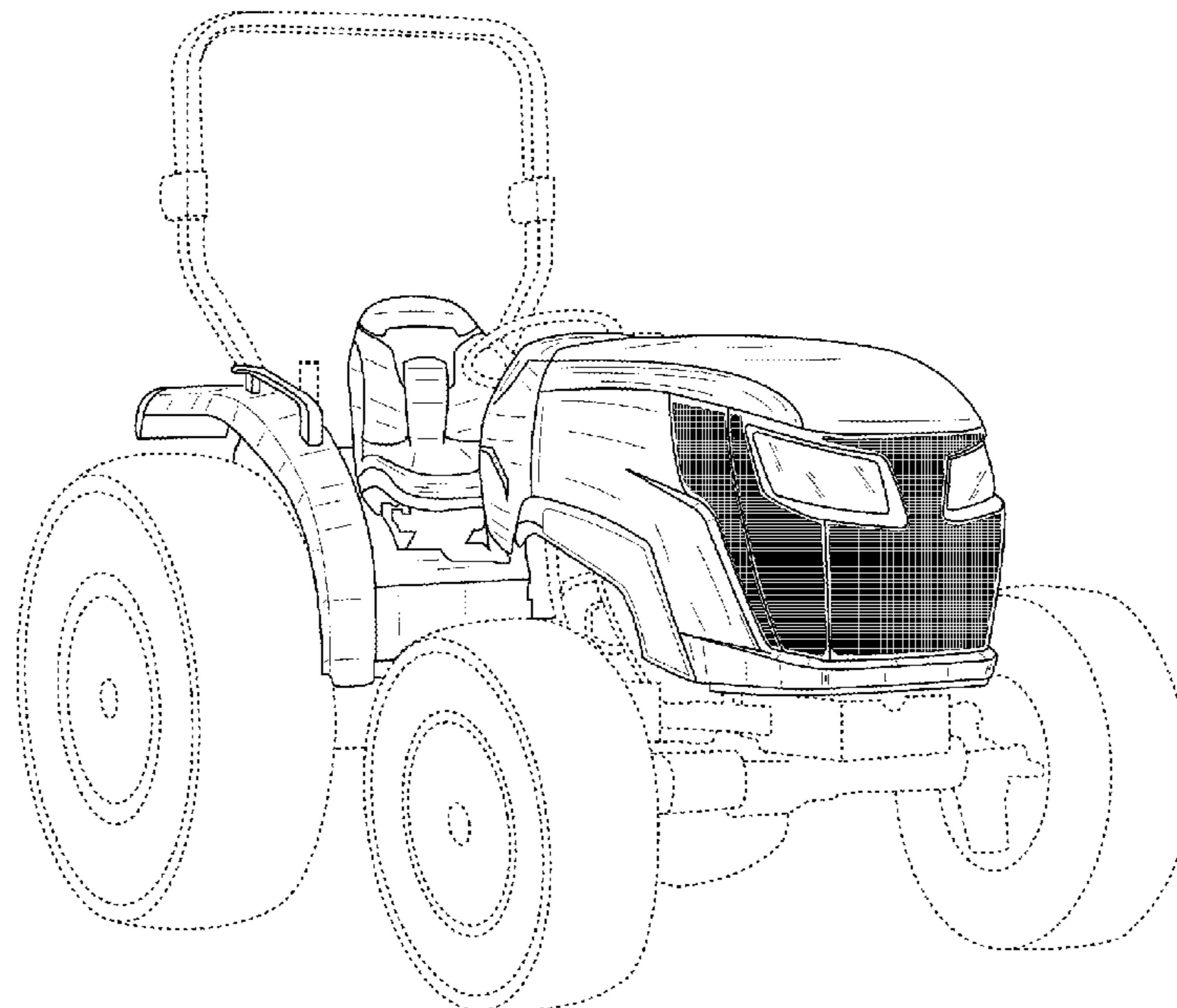


FIG. 1

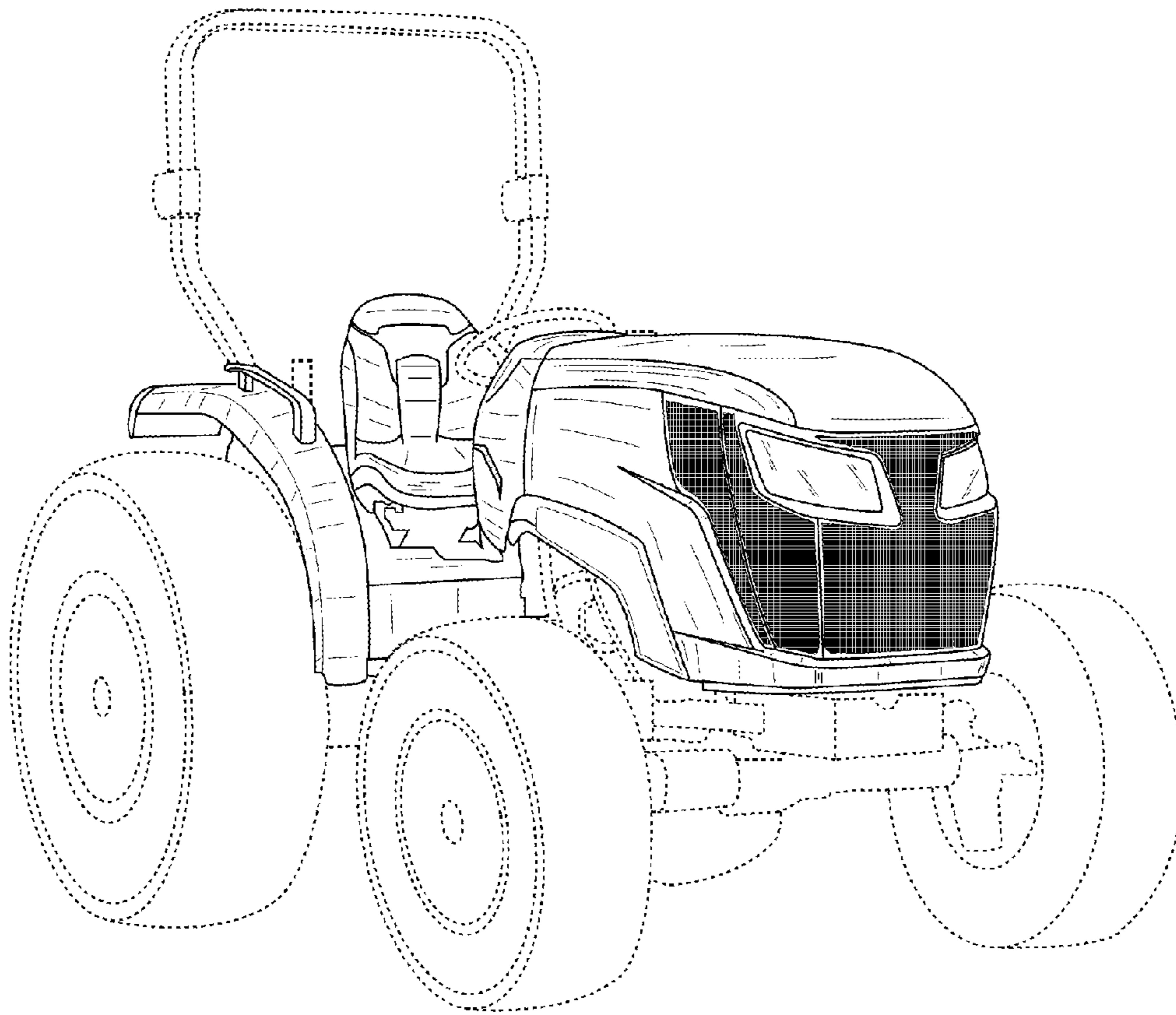


FIG. 2

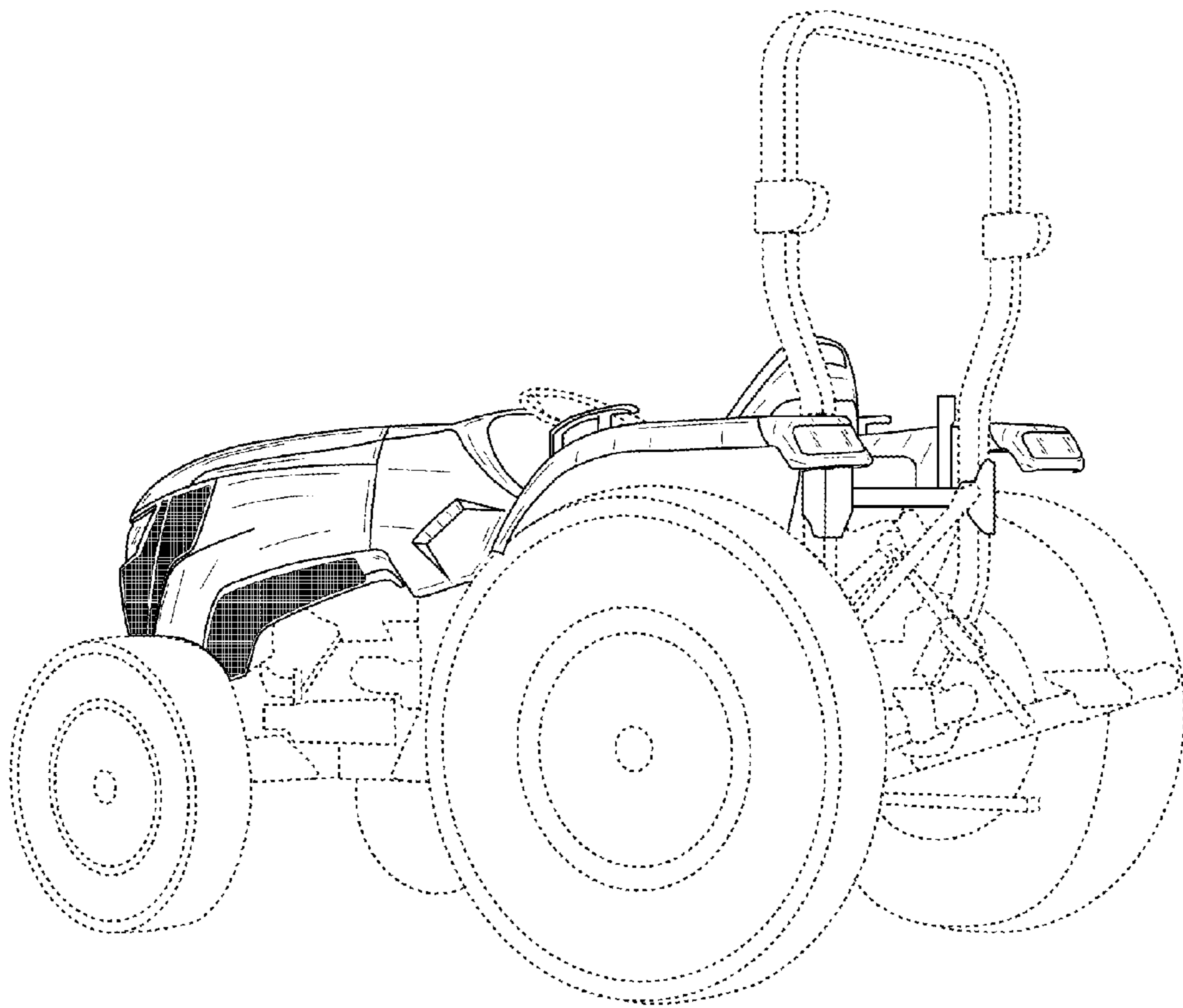


FIG. 3

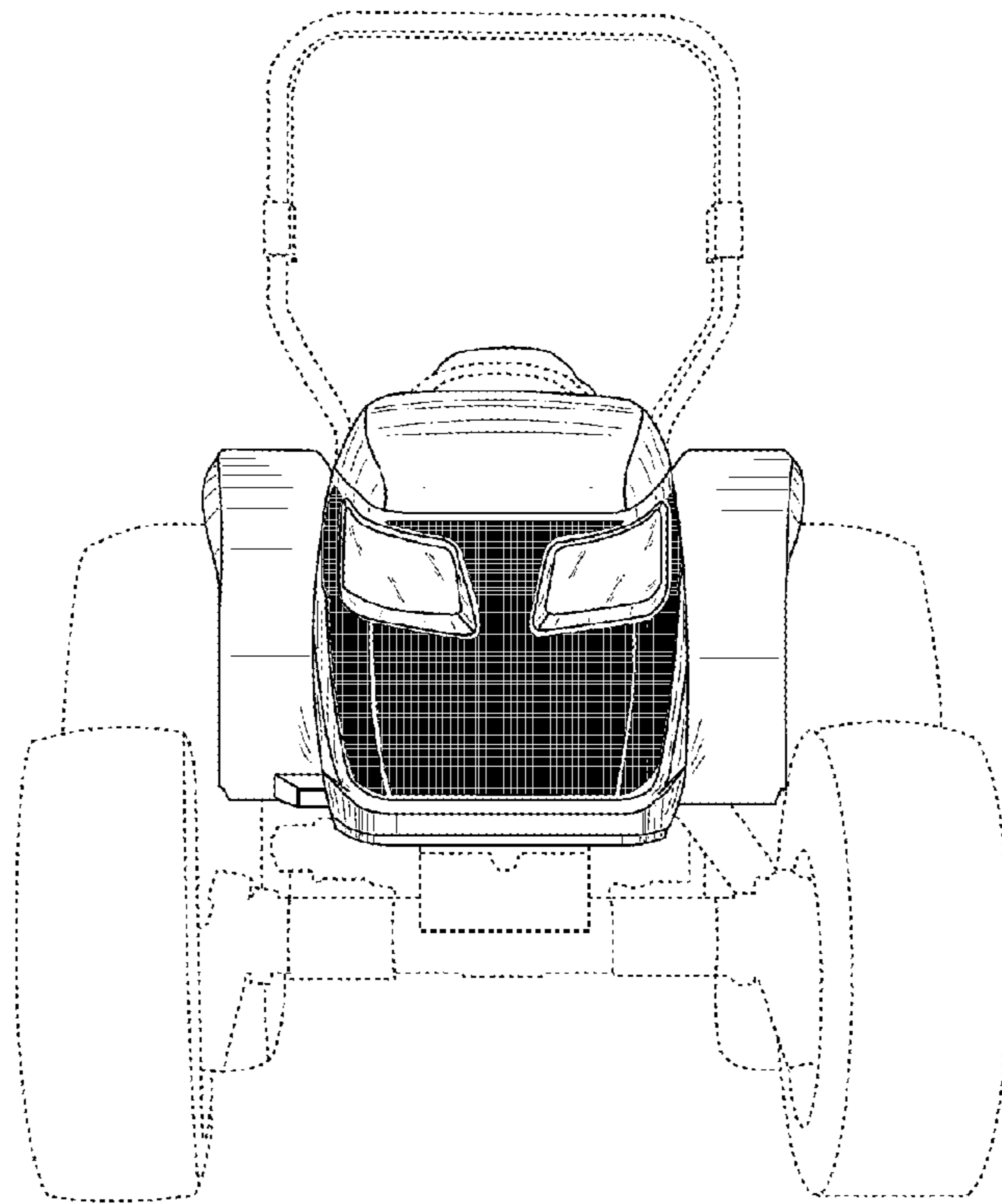


FIG. 4

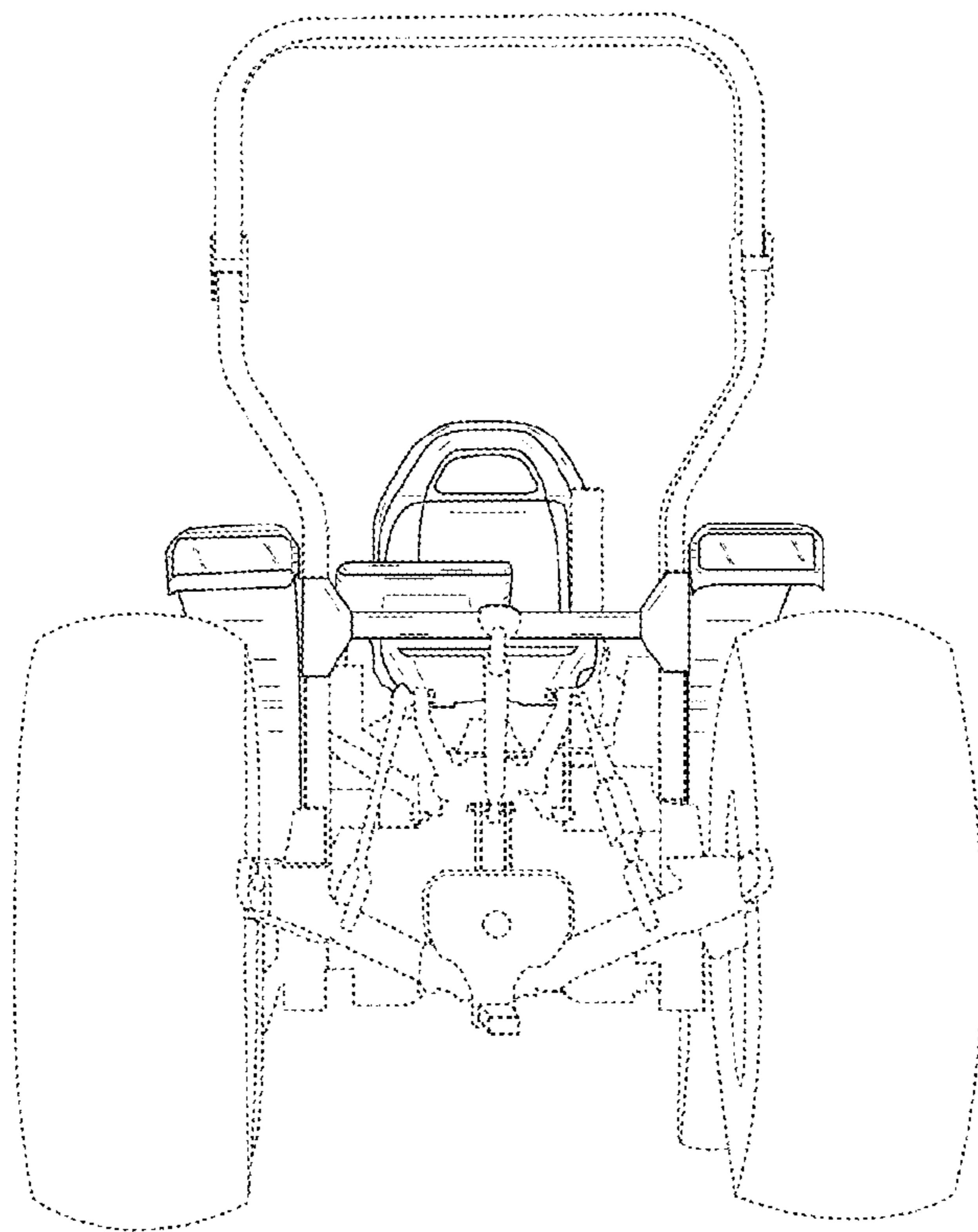




FIG. 5

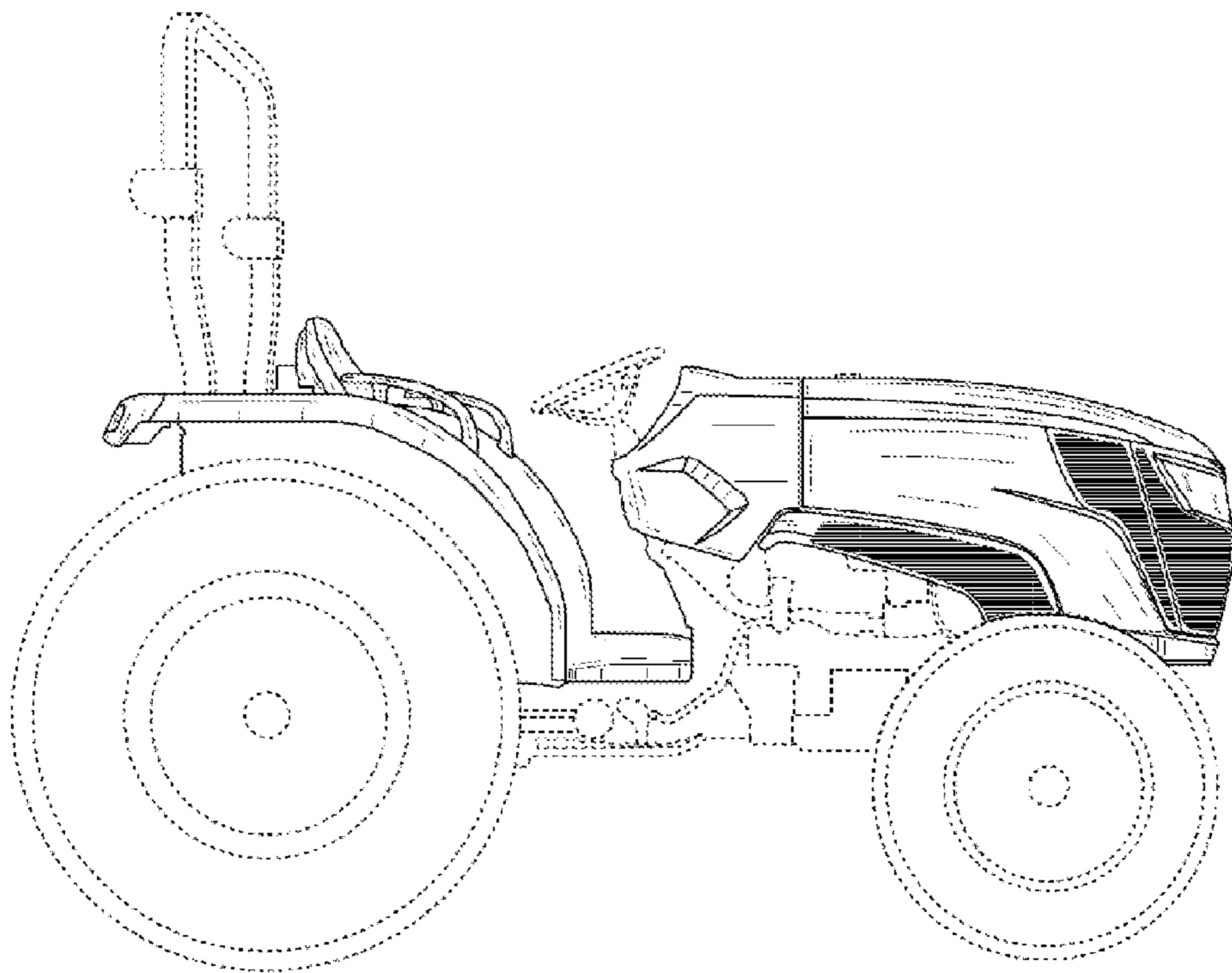


FIG. 6

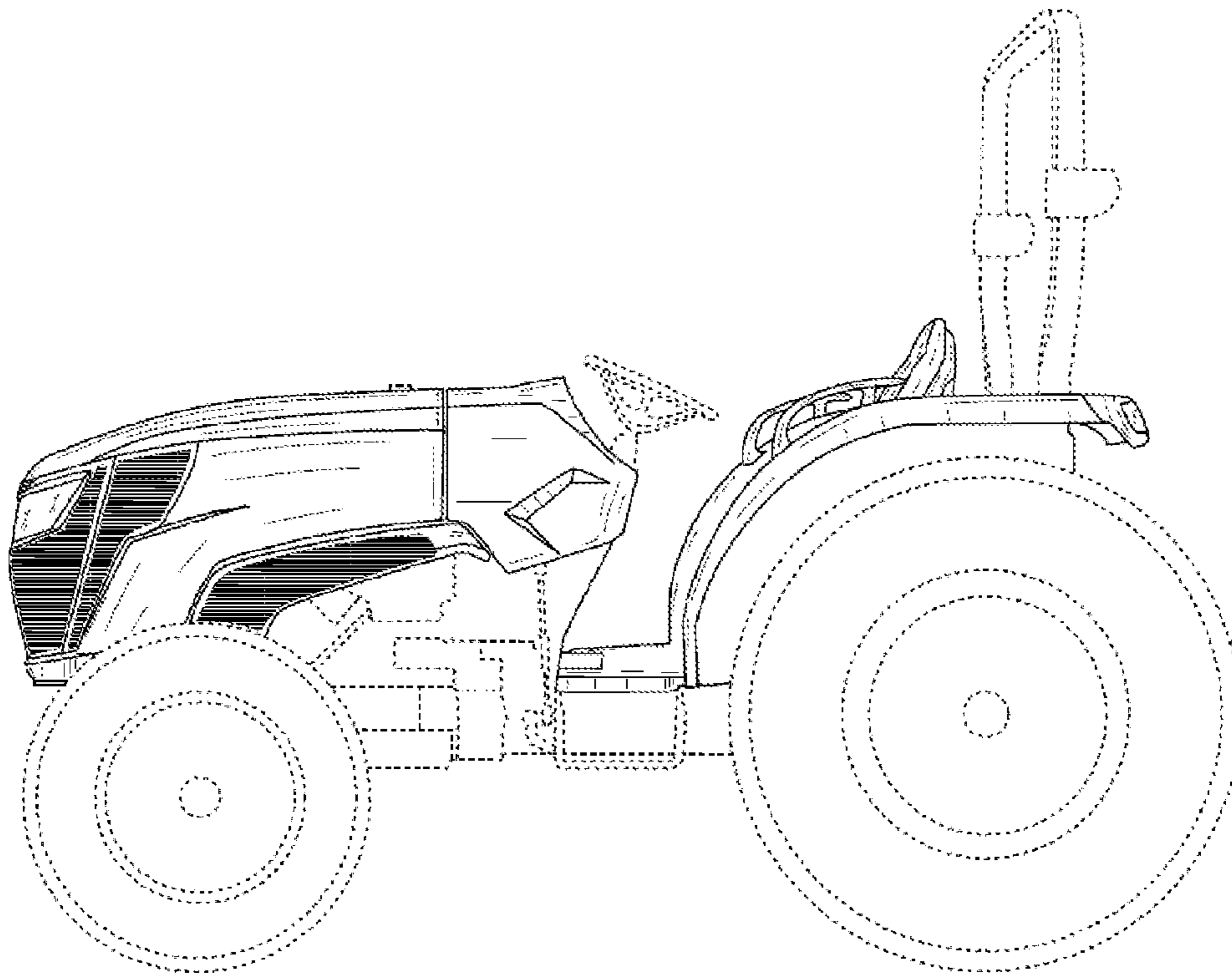


FIG. 7

