



US00D717837S

(12) **United States Design Patent**  
**Buytaert et al.**

(10) **Patent No.:** **US D717,837 S**  
(45) **Date of Patent:** **\*\* Nov. 18, 2014**

(54) **ONE-PIECE CENTRALIZER WITH AN AXIAL SEAM**

(71) Applicant: **Antelope Oil Tool & Manufacturing Co., LLC**, Mineral Wells, TX (US)

(72) Inventors: **Jean Buytaert**, Mineral Wells, TX (US);  
**Troy McDaniel**, Weatherford, TX (US);  
**Christopher Penry**, Weatherford, TX (US);  
**Eugene Miller**, Weatherford, TX (US);  
**Jesse Neel**, Willow Park, TX (US)

(73) Assignee: **Antelope Oil Tool & Mfg. Co., LLC**, Mineral Wells, TX (US)

(\*\*) Term: **14 Years**

(21) Appl. No.: **29/486,160**

(22) Filed: **Mar. 26, 2014**

(51) **LOC (10) Cl.** ..... **15-03**

(52) **U.S. Cl.**  
USPC ..... **D15/21**

(58) **Field of Classification Search**  
USPC ..... D15/10, 21; 166/384, 241.1–241.7,  
166/213, 173, 208, 382; 175/325.5, 325.1;  
138/108, 112; 72/393; 228/155  
See application file for complete search history.

(56) **References Cited**

U.S. PATENT DOCUMENTS

3,312,285	A *	4/1967	Solum	.....	166/241.6
4,088,186	A *	5/1978	Callihan et al.	.....	166/241.7
5,566,754	A	10/1996	Stokka		
5,575,333	A	11/1996	Lirette et al.		
6,209,638	B1	4/2001	Mikolajczyk		
6,533,034	B1	3/2003	Barger		
6,637,511	B2	10/2003	Linaker		
6,997,254	B2 *	2/2006	Jenner	.....	166/241.6

7,082,997	B2	8/2006	Slack		
7,182,131	B2 *	2/2007	Gremillion	.....	166/241.6
7,377,325	B2	5/2008	Trinder et al.		
7,849,918	B2 *	12/2010	Ehlinger et al.	.....	166/241.6
7,878,241	B2 *	2/2011	Buytaert et al.	.....	166/241.6
8,196,670	B2	6/2012	Jenner		
D662,952	S	7/2012	Kirk et al.		
D671,960	S *	12/2012	Kirk et al.	.....	D15/21
8,555,964	B2	10/2013	MacLeod		
2003/0000607	A1 *	1/2003	Jenner	.....	148/652
2003/0230411	A1 *	12/2003	Richard	.....	166/384
2009/0025929	A1 *	1/2009	Buytaert et al.	.....	166/244.1
2012/0186828	A1	7/2012	Lively et al.		
2013/0248207	A1	9/2013	Kirk et al.		

\* cited by examiner

*Primary Examiner* — Mark Goodwin

(74) *Attorney, Agent, or Firm* — MH2 Technology Law Group, LLP

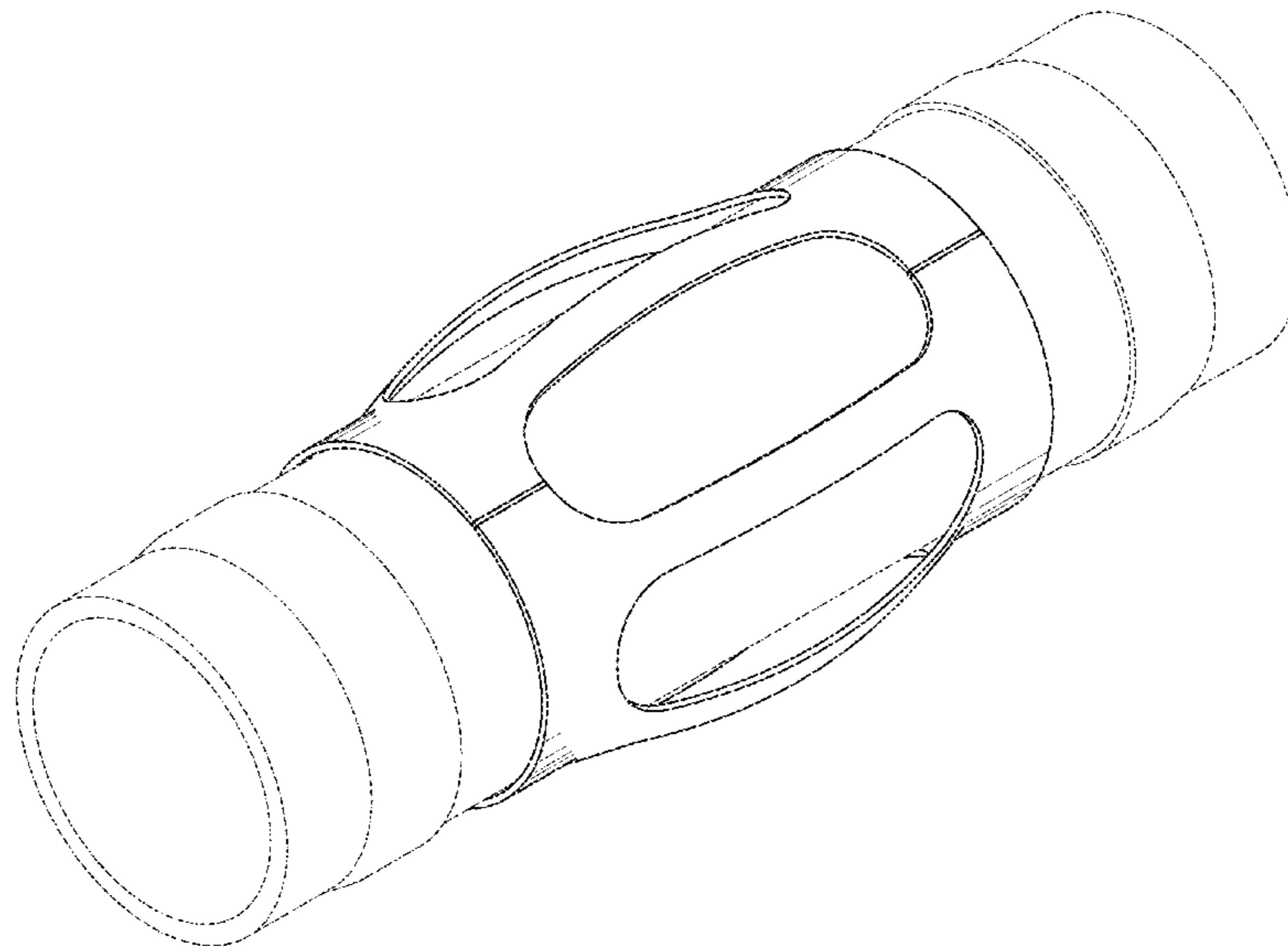
(57) **CLAIM**

The ornamental design for a one-piece centralizer with an axial seam, as shown and described.

**DESCRIPTION**

FIG. 1 is a perspective view of a one-piece centralizer with an axial seam showing our new design in use condition;  
FIG. 2 is a front view thereof;  
FIG. 3 is a back view thereof;  
FIG. 4 is an end view thereof;  
FIG. 5 is an end view thereof;  
FIG. 6 is a perspective view of a one-piece centralizer with an axial seam of FIG. 1 shown in an alternate in use condition;  
FIG. 7 is a front view thereof;  
FIG. 8 is a back view thereof; and,  
FIG. 9 is an end view thereof.  
The broken lines in the drawings depict unclaimed environmental subject matter.

**1 Claim, 5 Drawing Sheets**



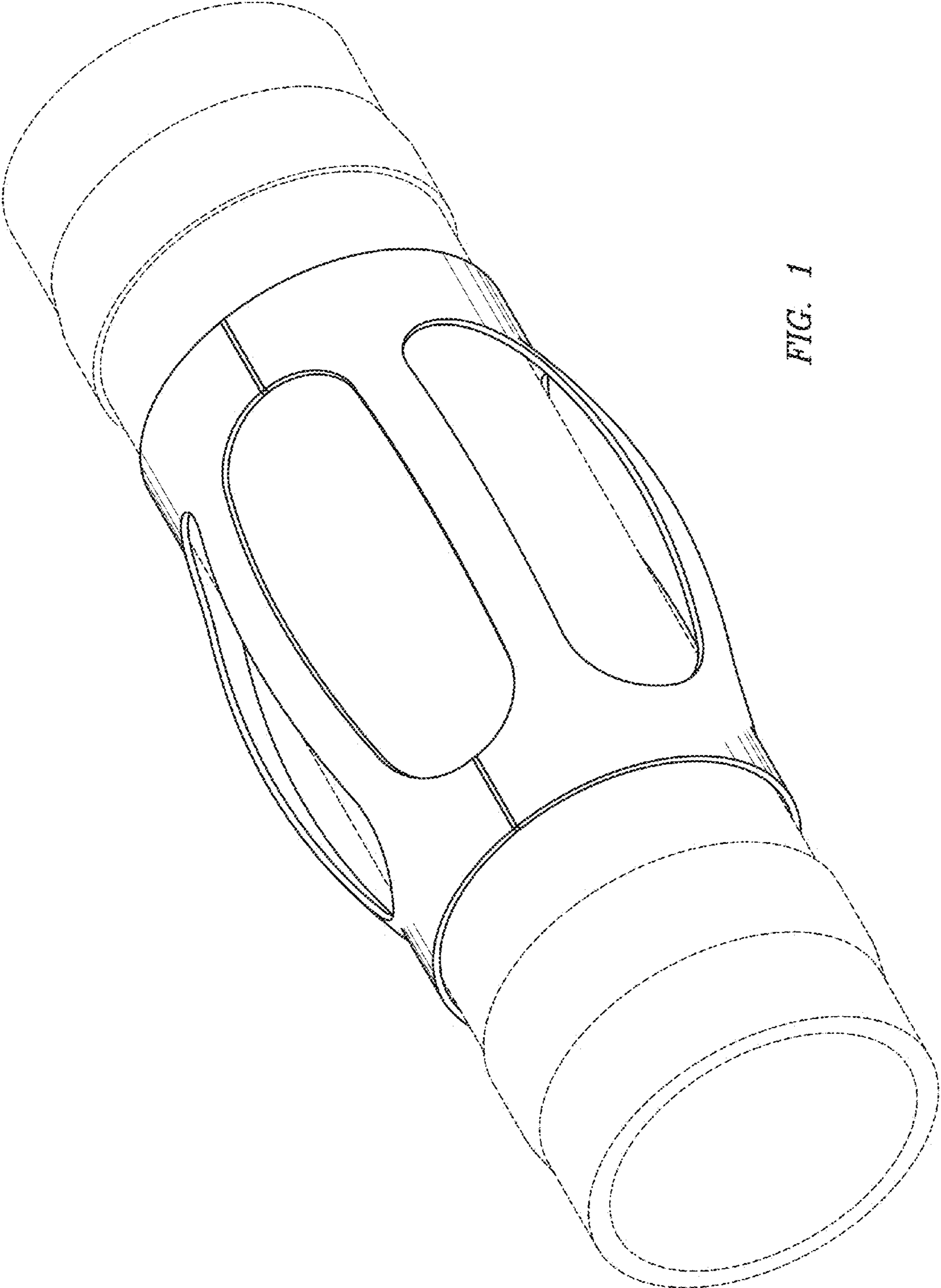


FIG. 1

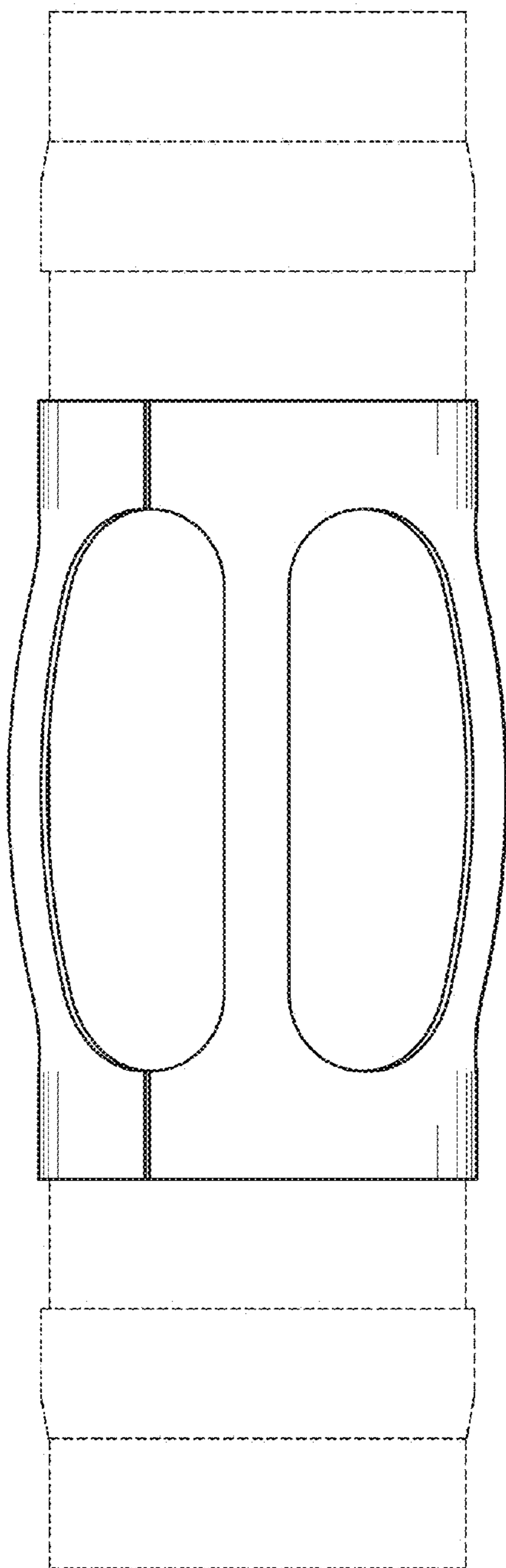


FIG. 2

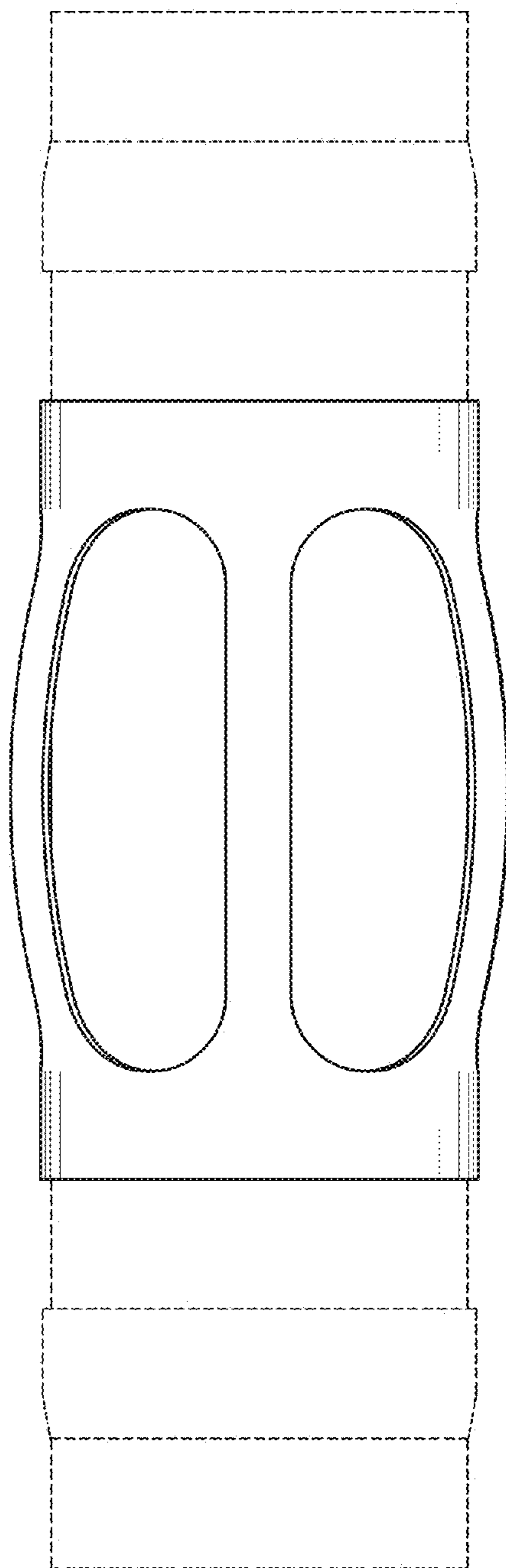


FIG. 3

FIG. 4

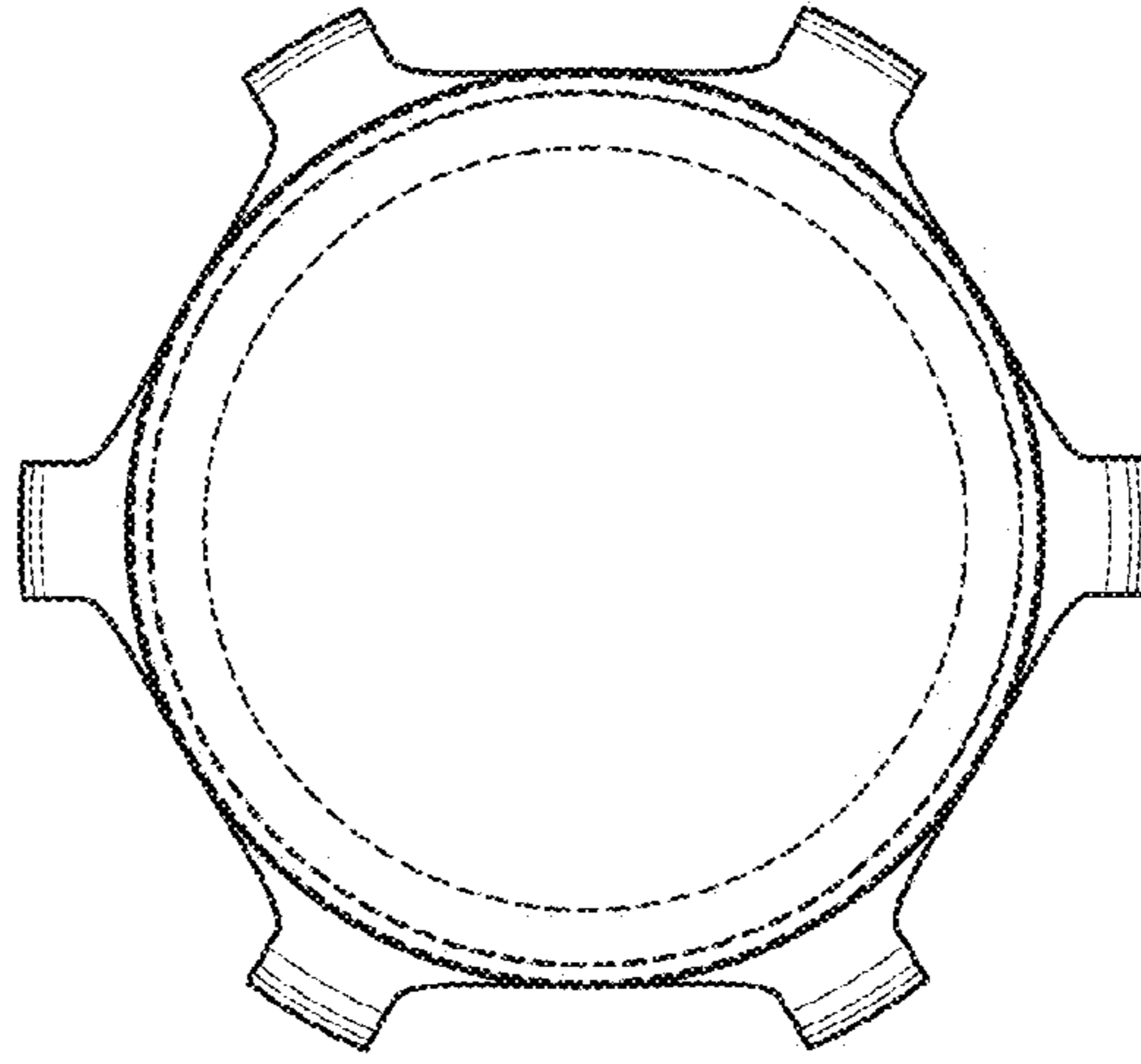


FIG. 5

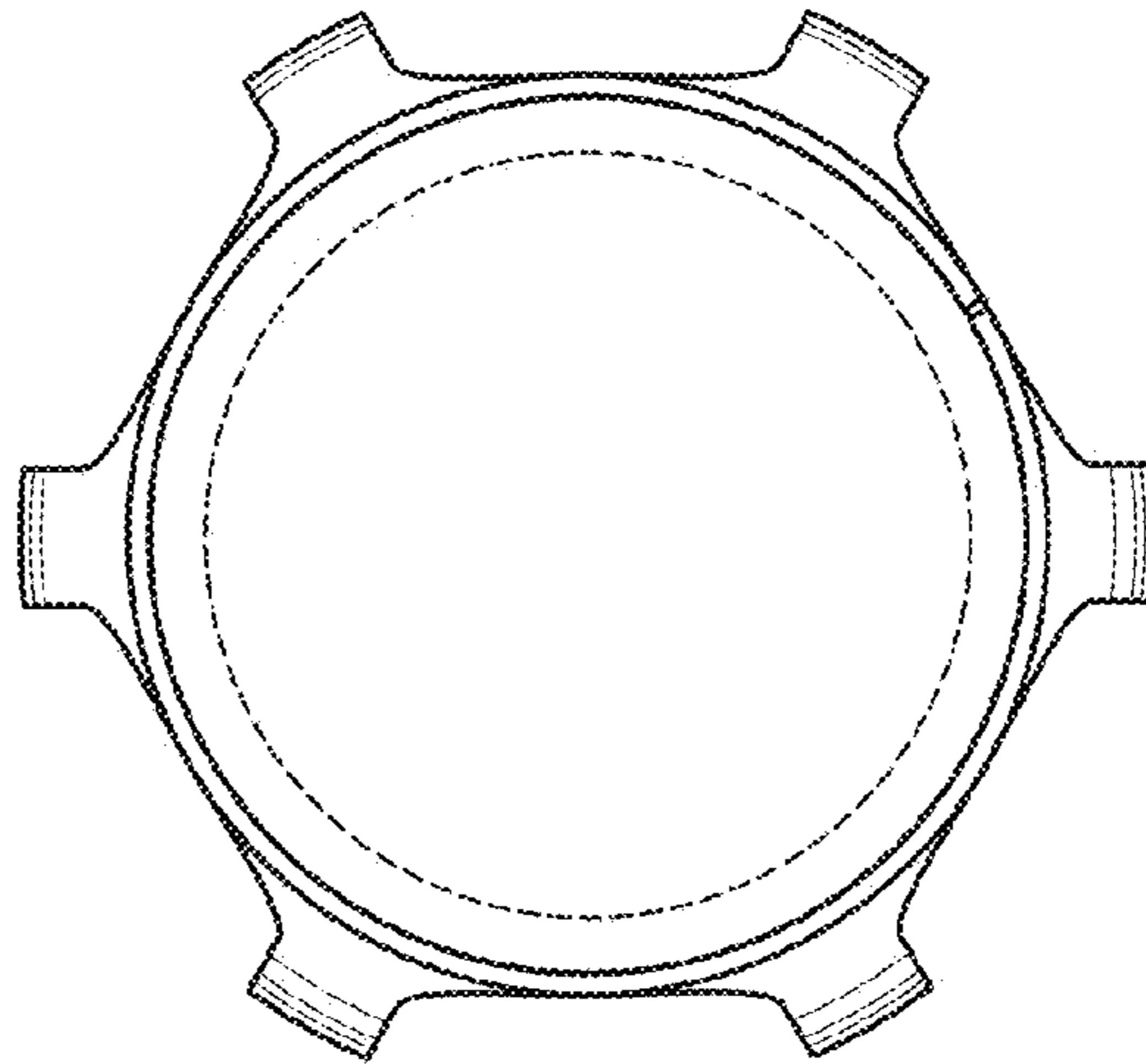
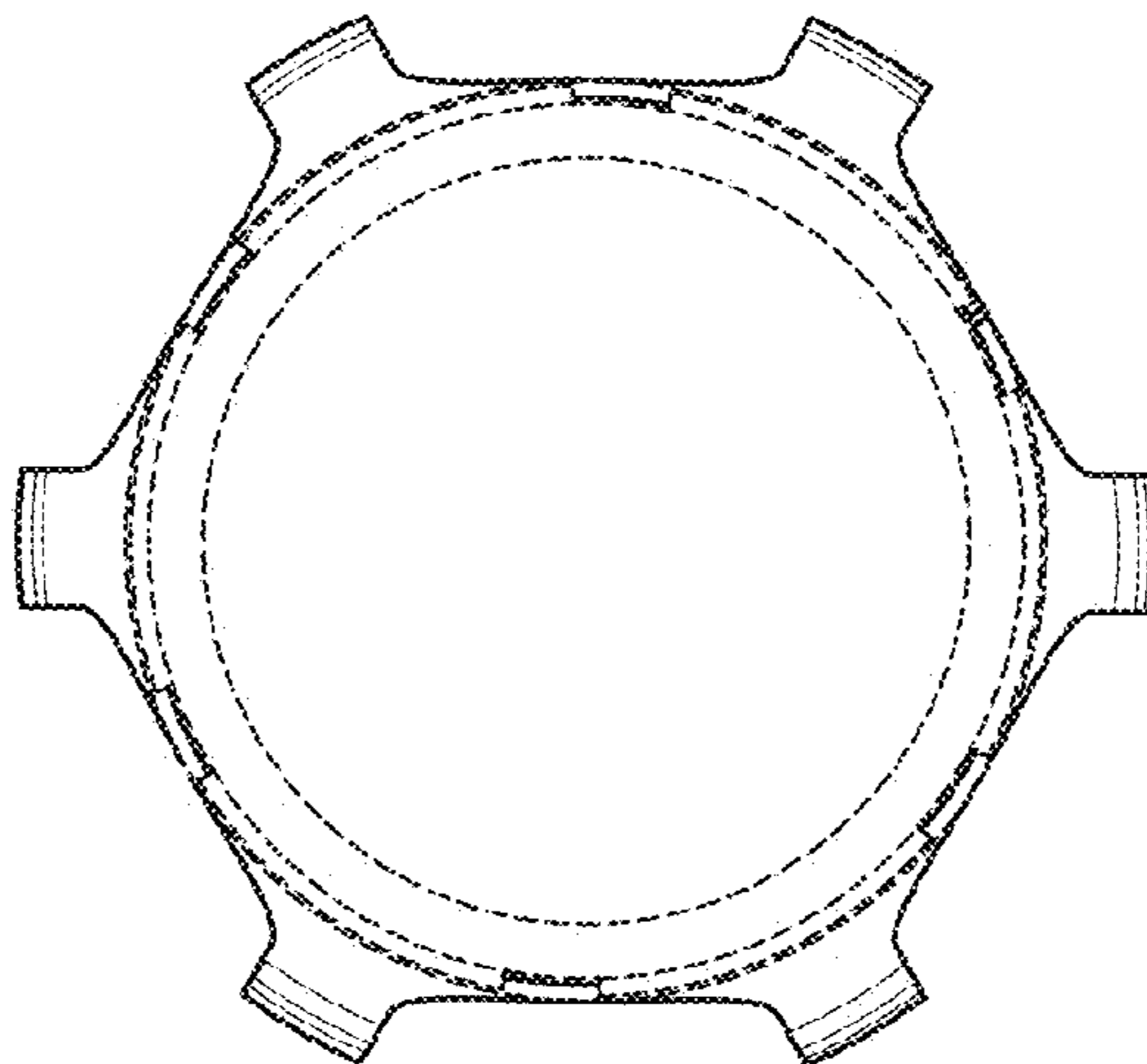


FIG. 9



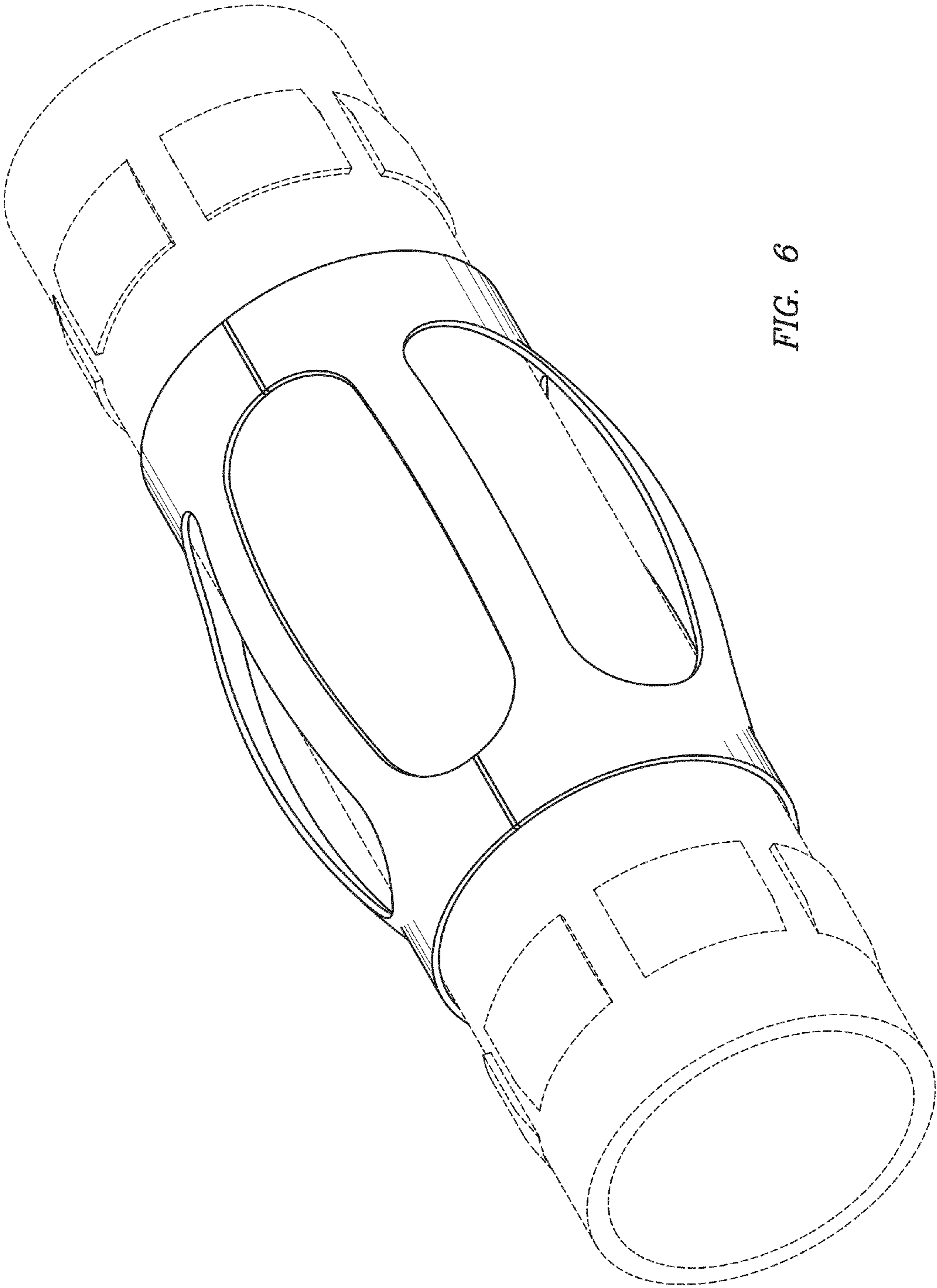


FIG. 6

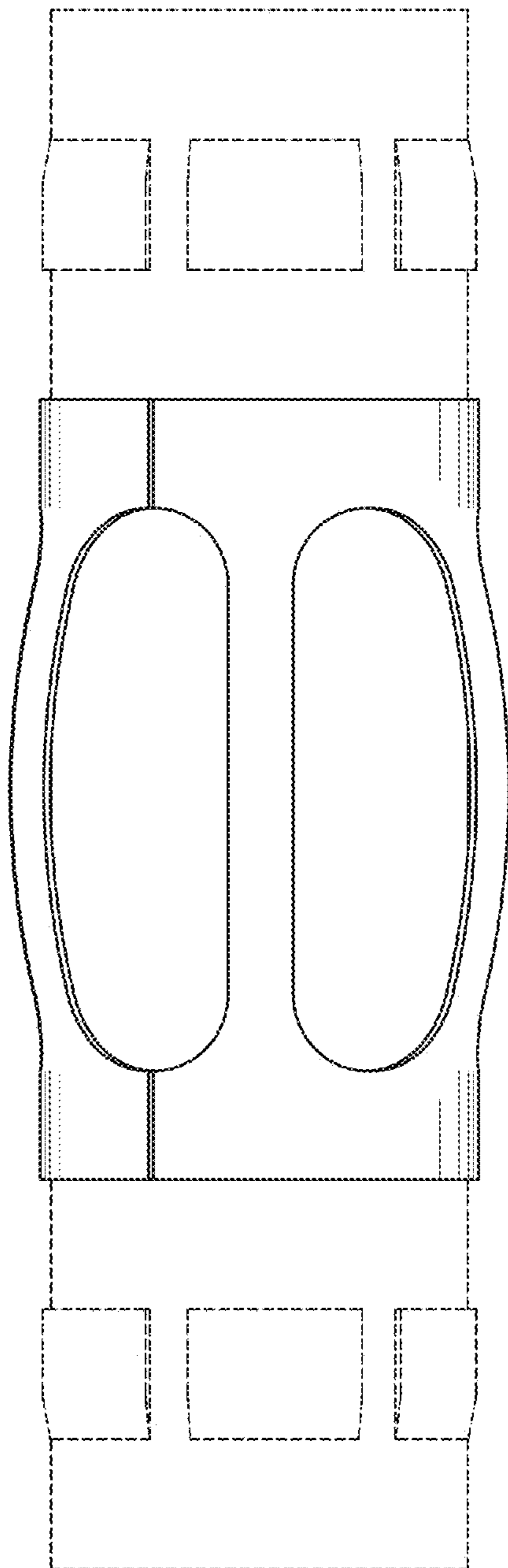


FIG. 7

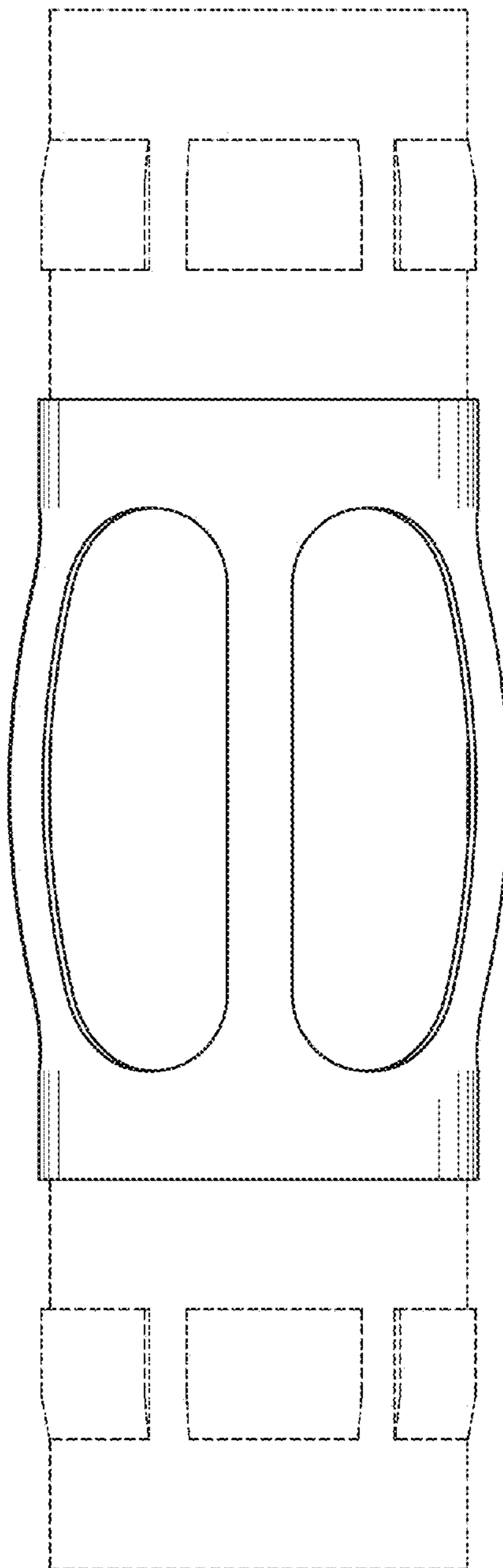


FIG. 8