



US00D717834S

(12) **United States Design Patent**
Carruth et al.

(10) **Patent No.:** **US D717,834 S**

(45) **Date of Patent:** **** Nov. 18, 2014**

- (54) **PLUNGER ADAPTER**
- (71) Applicants: **Don V. Carruth**, Midland, TX (US);
Jyothi Swaroop Samayamantula,
Midland, TX (US)
- (72) Inventors: **Don V. Carruth**, Midland, TX (US);
Jyothi Swaroop Samayamantula,
Midland, TX (US)
- (73) Assignee: **Don V. Carruth**, Midland, TX (US)

1,455,850 A	8/1921	Penrod et al.
1,422,759 A	7/1922	Green
1,844,780 A	2/1932	Merrick
1,933,595 A	1/1933	Kapp
2,462,257 A	2/1949	Cunningham
2,635,554 A	9/1950	Haley
2,834,300 A	5/1958	Brock
3,090,324 A	5/1963	Schmidt
4,049,365 A	9/1977	Sparks, Sr.
4,194,567 A	3/1980	Marais
4,395,204 A	7/1983	Turner
4,509,365 A	4/1985	Eineichner et al.
D345,420 S	3/1994	Stewart, Sr.

(**) Term: **14 Years**

(Continued)

(21) Appl. No.: **29/449,569**

(22) Filed: **Mar. 15, 2013**

OTHER PUBLICATIONS

Don-Nan Machine and Manufacturing, Drawings of Plunger Sand Diverter and Bushing, pp. 1-5, product sold 2009.

(Continued)

Related U.S. Application Data

(63) Continuation of application No. 29/425,948, filed on Jun. 28, 2012, now Pat. No. Des. 682,317.

(51) **LOC (10) Cl.** **15-02**

(52) **U.S. Cl.**
USPC **D15/7**

(58) **Field of Classification Search**
CPC F04B 39/00; F04B 39/10; F04B 53/00;
E21B 37/02
USPC D15/7-9; D23/231, 232, 225; 417/60,
417/235, 265, 321, 355, 358, 363, 359,
417/410.1, 415-416, 405, 900, 430, 43,
417/554; 60/408, 412; 184/26-37;
415/140-147; 123/495, 509;
166/105.1, 105.2, 311
See application file for complete search history.

Primary Examiner — Ralf Seifert

(74) *Attorney, Agent, or Firm* — Grady K. Bergen; Griggs Bergen LLP

(57) **CLAIM**

The ornamental design for a plunger adapter, as shown and described.

DESCRIPTION

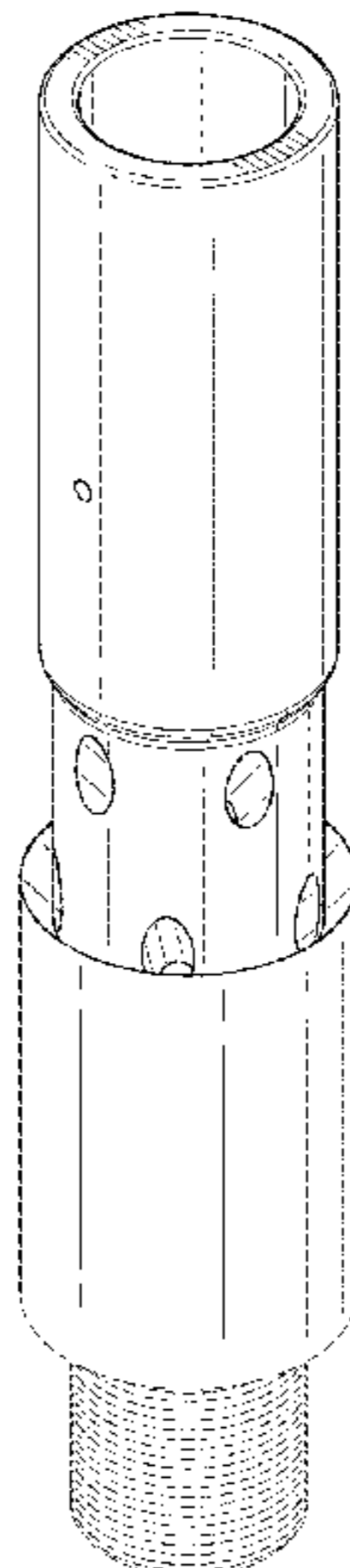
FIG. 1 is a side perspective view of a plunger adapter
FIG. 2 is a front side elevational view of the plunger adapter of FIG. 1;
FIG. 3 is a rear side elevational view of the plunger adapter of FIG. 1;
FIG. 4 is a top plan view of the plunger adapter of FIG. 1; and,
FIG. 5 is a bottom plan view of the plunger adapter of FIG. 1.
The broken lines are included for the purpose of illustrating portions of the plunger adapter that form no part of the claimed design.

(56) **References Cited**

U.S. PATENT DOCUMENTS

54,484 A	5/1886	Armstrong
1,178,217 A	4/1916	Conrader

1 Claim, 2 Drawing Sheets



(56)

References Cited

U.S. PATENT DOCUMENTS

5,372,488 A 12/1994 Turner
 D355,199 S 2/1995 Ousey
 5,505,258 A 4/1996 Muth
 5,618,169 A 4/1997 Smith
 5,752,814 A * 5/1998 Starks et al. 417/554
 5,765,639 A 6/1998 Muth
 5,934,372 A 8/1999 Muth
 6,007,314 A 12/1999 Nelson, II
 6,145,590 A 11/2000 Havard
 6,250,392 B1 6/2001 Muth
 D461,827 S 8/2002 Koebbe
 D472,558 S 4/2003 MacPherson et al.
 6,543,543 B2 4/2003 Muth
 6,746,222 B2 6/2004 Skillman
 7,008,197 B2 3/2006 Ford
 D520,521 S 5/2006 Angeletta
 7,143,829 B2 12/2006 Booth
 D557,286 S 12/2007 Pedrollo
 7,428,923 B2 9/2008 Ford
 D583,389 S 12/2008 Bilger
 D584,320 S 1/2009 Huang
 D589,984 S 4/2009 Roesler

7,607,901 B2 10/2009 Williams et al.
 D610,166 S 2/2010 Foreman
 7,713,035 B2 * 5/2010 Ford 417/430
 D623,200 S 9/2010 Fulkerson et al.
 D624,561 S 9/2010 Yu
 7,909,589 B2 3/2011 Williams
 D641,382 S 7/2011 Hawes et al.
 D643,442 S 8/2011 Sato et al.
 D652,059 S 1/2012 Sato et al.
 D682,317 S 5/2013 Carruth et al.
 8,535,024 B2 9/2013 Conyers et al.
 D700,622 S 3/2014 Carruth et al.
 2002/0066572 A1 6/2002 Muth
 2005/0265875 A1 12/2005 Williams et al.
 2008/0112826 A1 5/2008 Ford
 2012/0141310 A1 6/2012 Conyers et al.
 2012/0211237 A1 8/2012 Rich

OTHER PUBLICATIONS

Don-Nan Machine and Manufacturing, Drawings of Plunger Sand
 Diverter and Bushing, pp. 1-3, product sold 2009.
 Don-Nan Machine and Manufacturing, Drawings of Sand Sucker
 Plunger, pp. 1-3, product sold 2006.

* cited by examiner

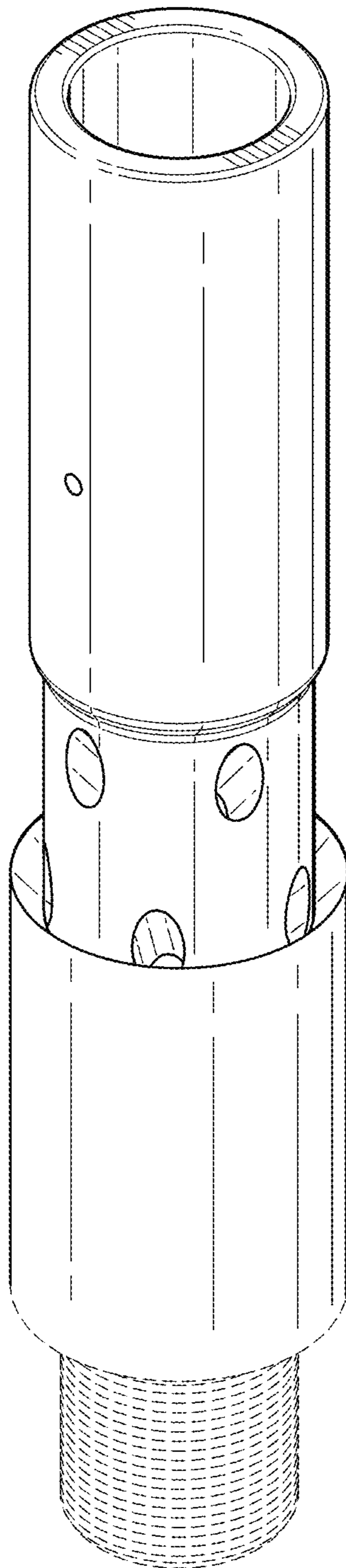


FIG. 1

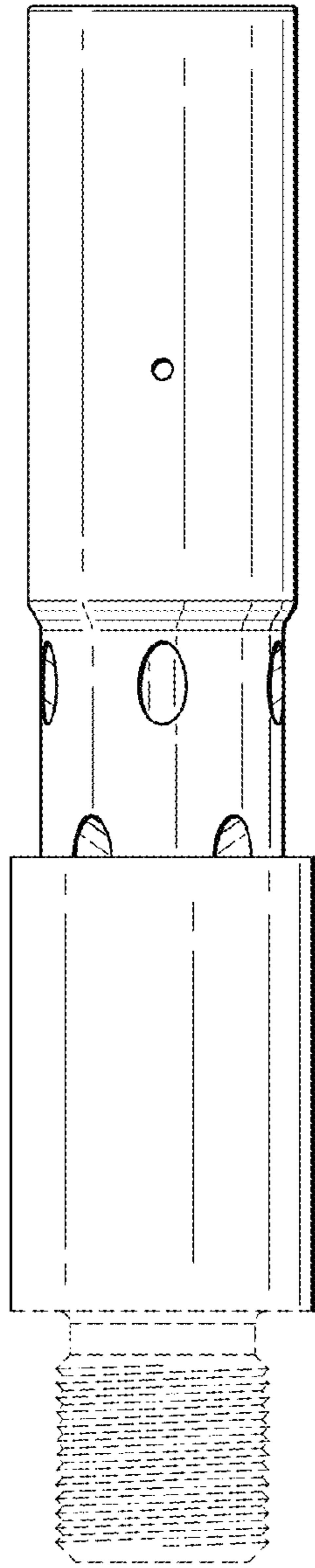


FIG. 2

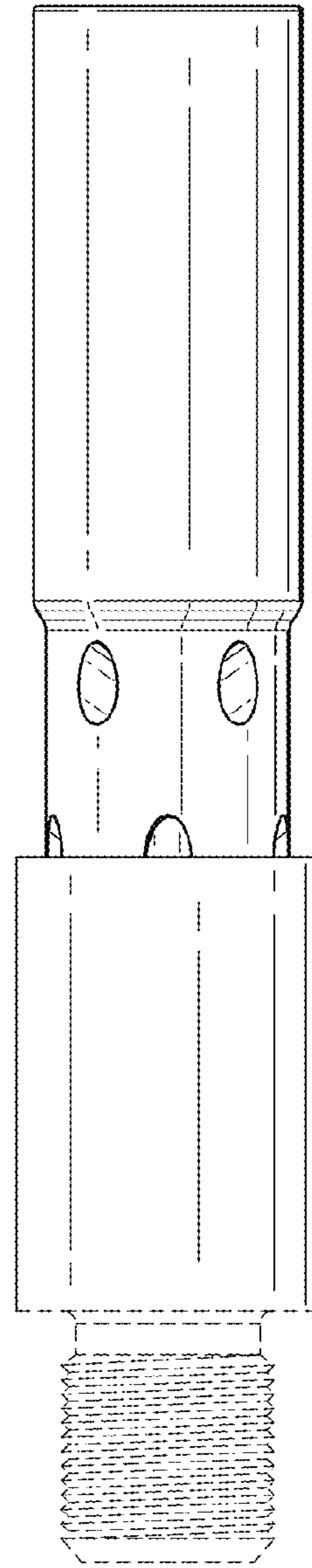


FIG. 3

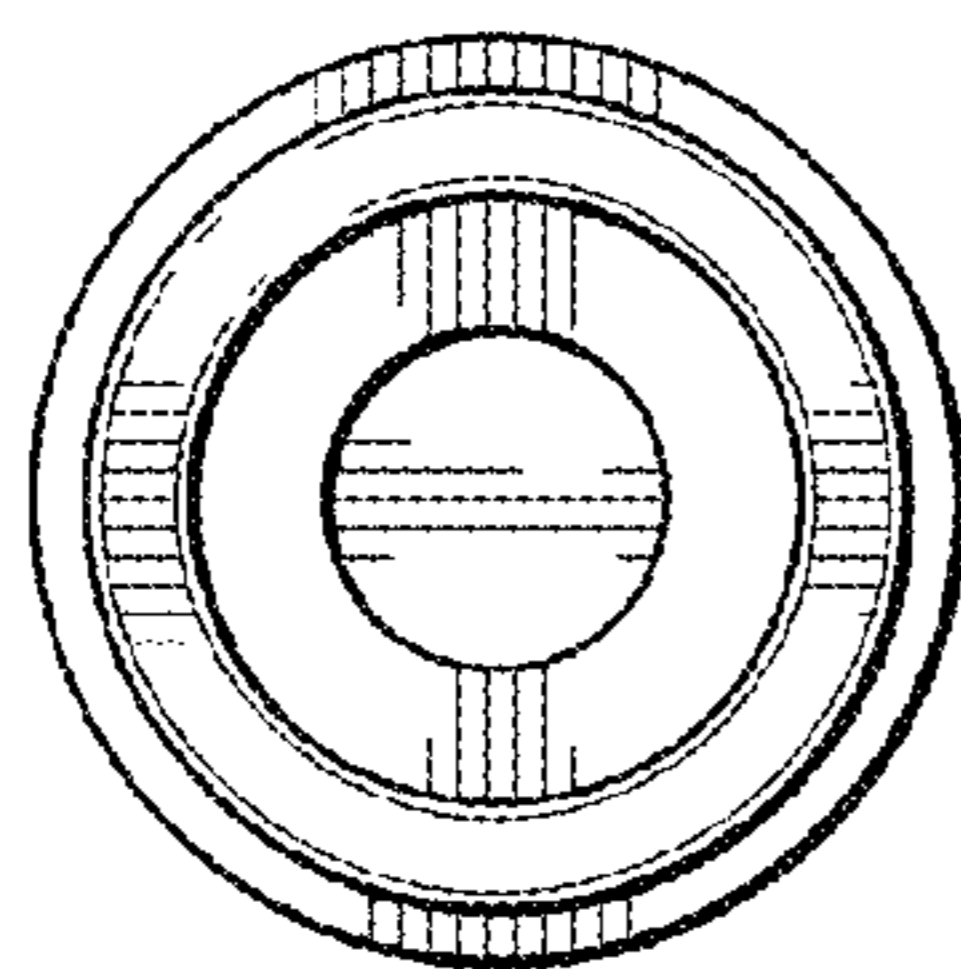


FIG. 4

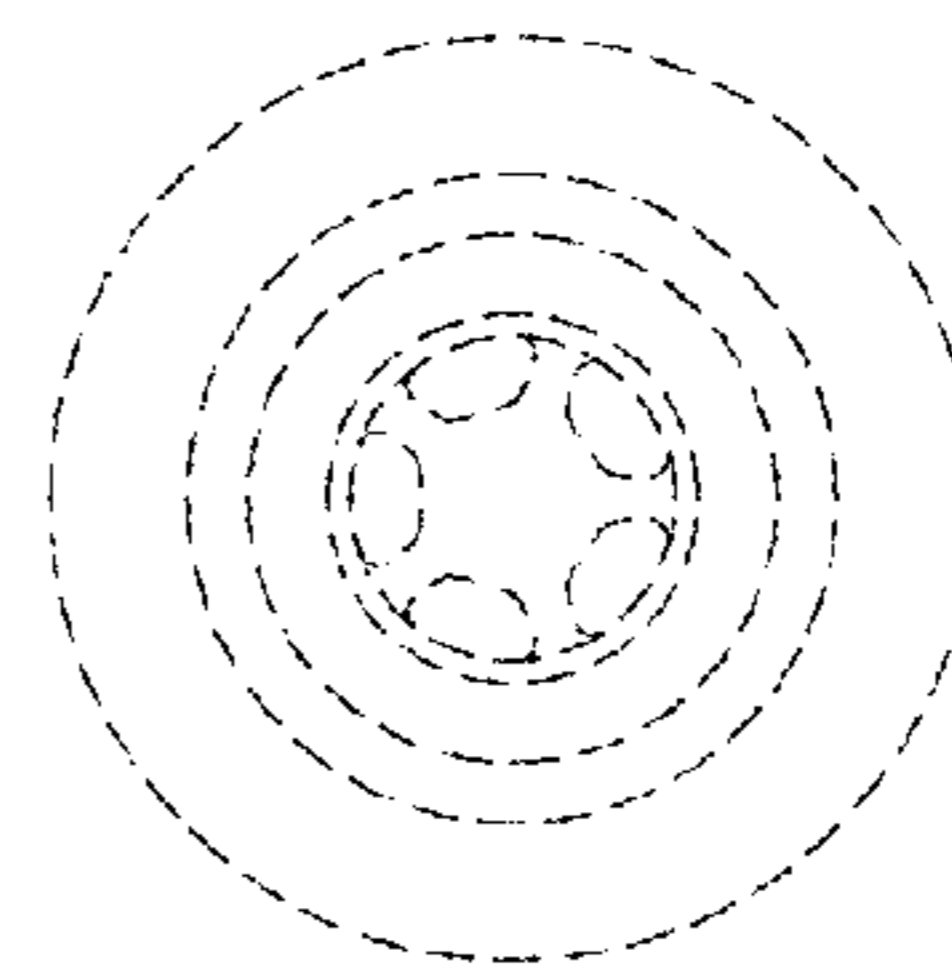


FIG. 5