

US00D717809S

(12) **United States Design Patent**
Tsuru et al.

(10) **Patent No.:** **US D717,809 S**

(45) **Date of Patent:** **** Nov. 18, 2014**

(54) **DISPLAY PANEL WITH INFORMATION
DISPLAY FOR RAILROADS**

(75) Inventors: **Naoki Tsuru**, Chiyoda-ku (JP); **Hiroshi
Asaoka**, Chiyoda-ku (JP); **Junichi
Kimura**, Chiyoda-ku (JP)

(73) Assignee: **Mitsubishi Electric Corporation**,
Tokyo (JP)

(**) Term: **14 Years**

(21) Appl. No.: **29/425,714**

(22) Filed: **Jun. 26, 2012**

(30) **Foreign Application Priority Data**

Dec. 27, 2011 (JP) 2011-030282

(51) **LOC (10) Cl.** **14-04**

(52) **U.S. Cl.**
USPC **D14/485**

(58) **Field of Classification Search**
USPC D14/485-495; D18/24-33; D20/11, 12,
D20/18, 22-28; 715/700-867, 961-978
See application file for complete search history.

(56) **References Cited**

U.S. PATENT DOCUMENTS

5,796,402 A * 8/1998 Ellison-Taylor 715/792
6,289,361 B1 * 9/2001 Uchida 715/201

6,310,631 B1 * 10/2001 Cecco et al. 715/792
6,771,292 B2 * 8/2004 Sharp 715/788
D594,018 S * 6/2009 Ball et al. D14/486
7,954,064 B2 * 5/2011 Forstall et al. 715/779
7,984,376 B2 * 7/2011 Yamabuchi et al. 715/273
8,127,229 B2 * 2/2012 Inoguchi et al. 715/273
8,434,019 B2 * 4/2013 Nelson 715/798
D687,841 S * 8/2013 Arnold et al. D14/486
D692,450 S * 10/2013 Convay et al. D14/486
2007/0174784 A1 * 7/2007 Yu et al. 715/799
2012/0159382 A1 * 6/2012 Matthews et al. 715/788

* cited by examiner

Primary Examiner — Mary Ann Calabrese

(74) *Attorney, Agent, or Firm* — Sughrue Mion, PLLC

(57) **CLAIM**

The ornamental design for a display panel with informational display for railroads, as shown and described.

DESCRIPTION

FIG. 1 is a front, top and right side perspective view of a display panel with informational display for railroads, showing our new design;
FIG. 2 is a front elevational view thereof;
FIG. 3 is a rear elevational view thereof;
FIG. 4 is a right side elevational view thereof; and,
FIG. 5 is a top plan view thereof.
The broken lines represent a display panel and form no part of the claimed design.

1 Claim, 5 Drawing Sheets

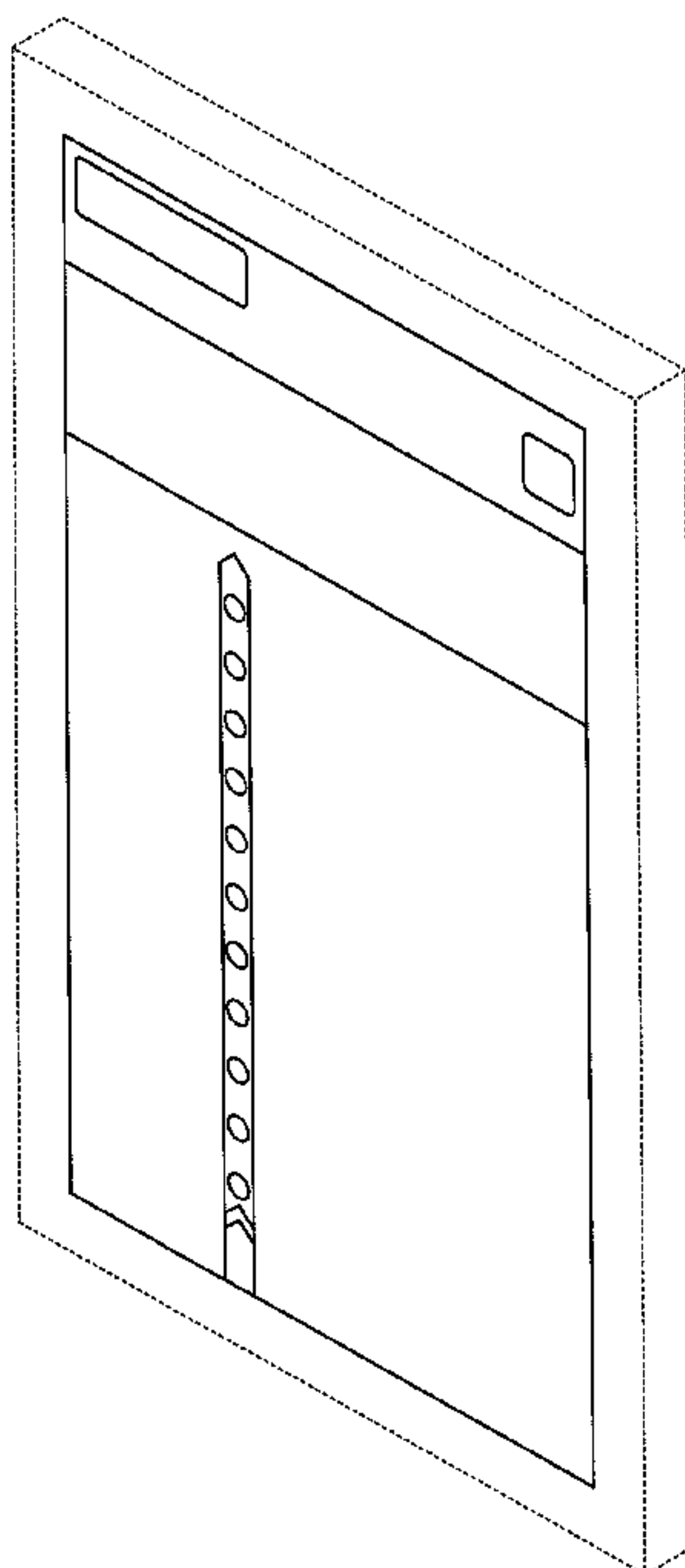


Fig. 1

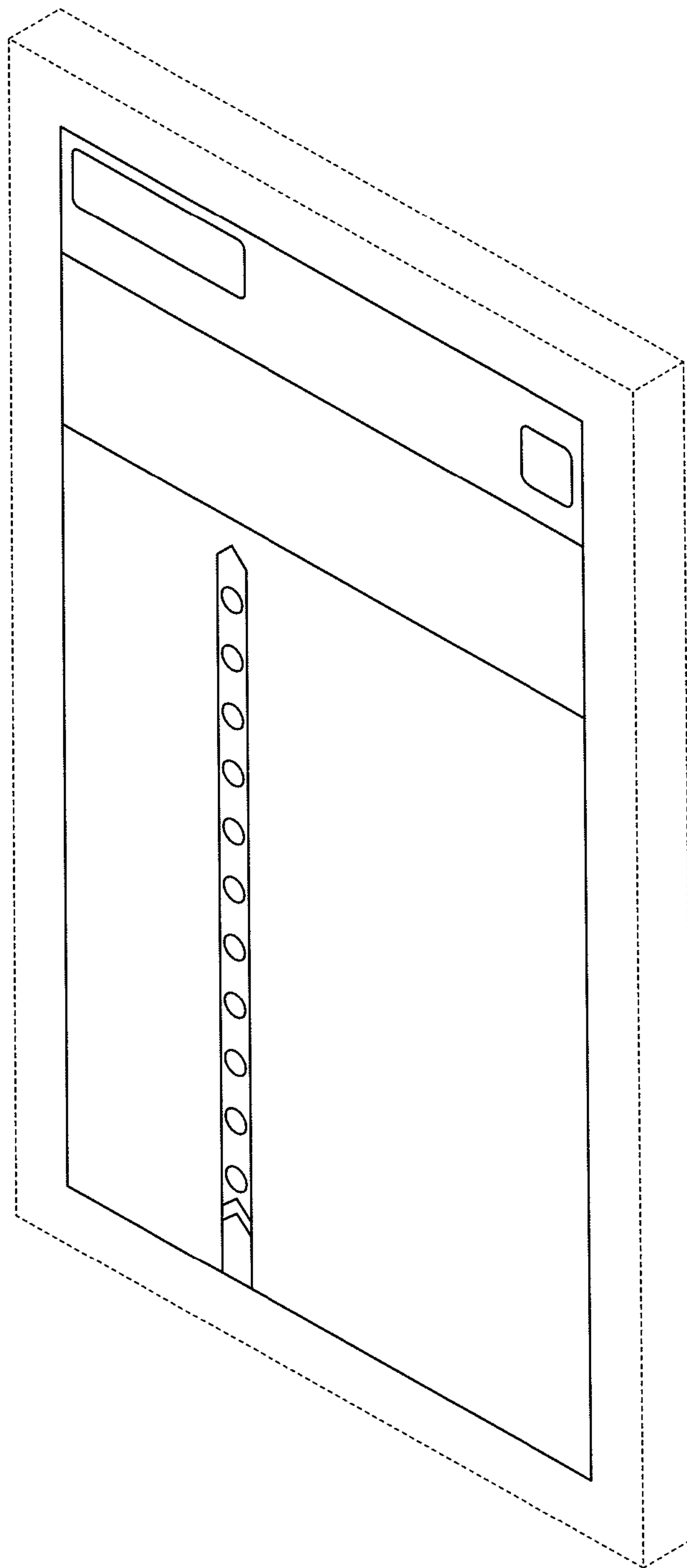


Fig. 2

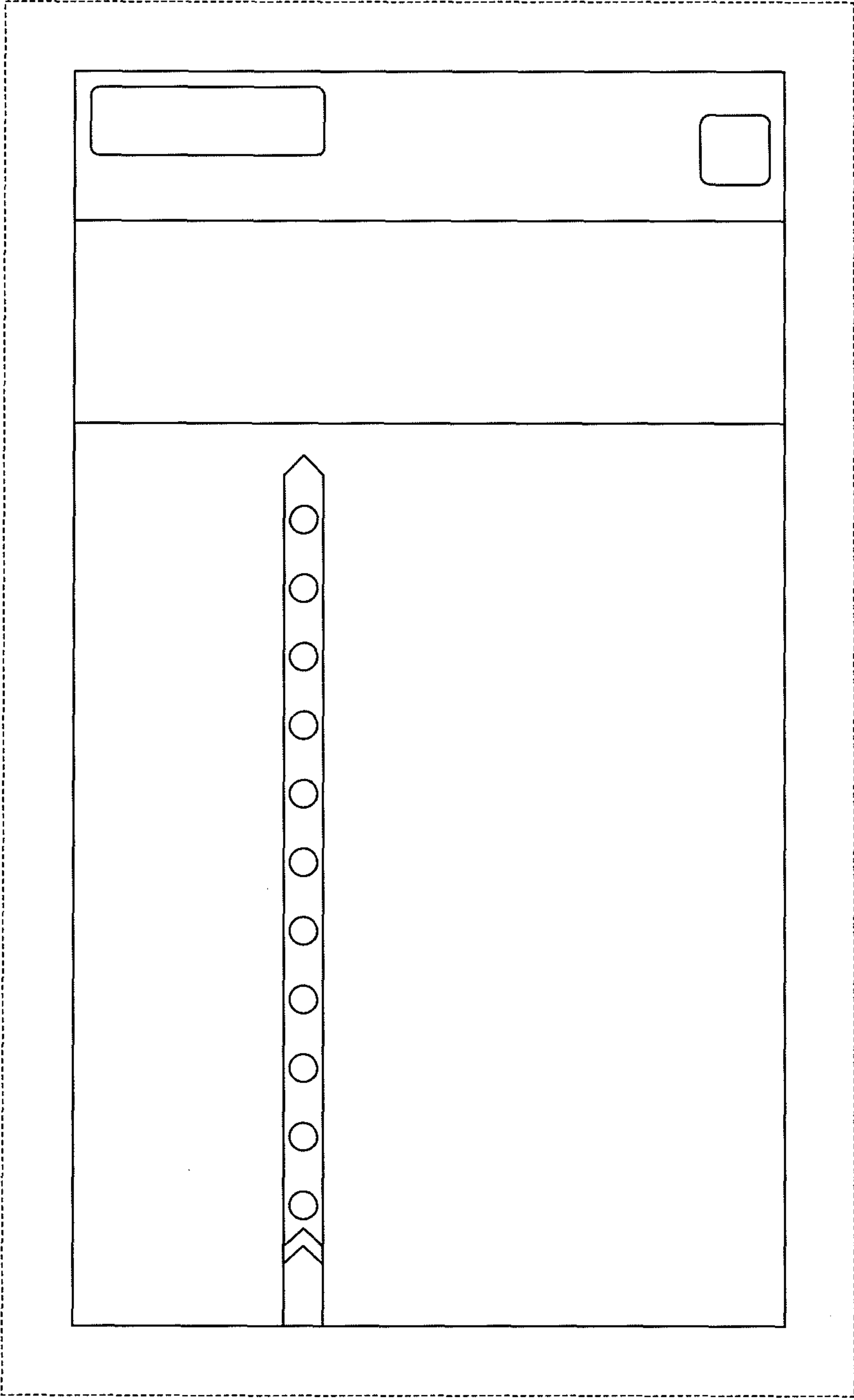


Fig. 3

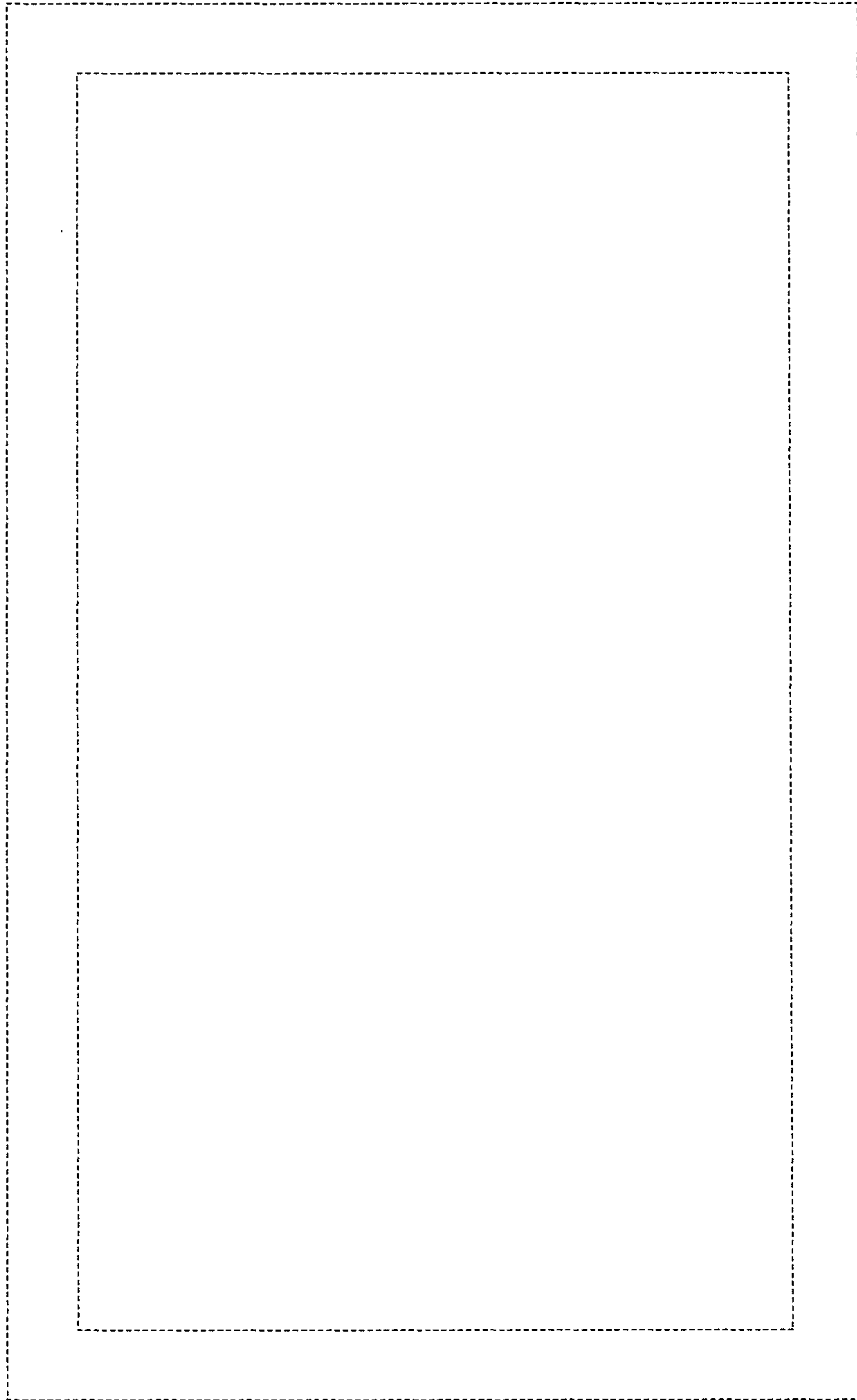


Fig. 4

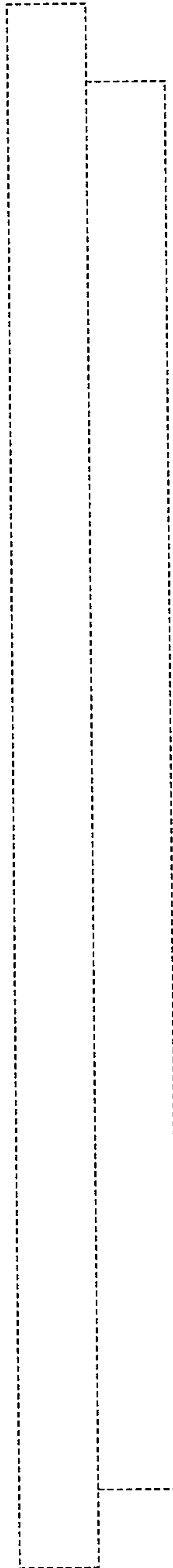


Fig. 5

