



US00D717808S

(12) **United States Design Patent**
Tsuru et al.

(10) **Patent No.:** **US D717,808 S**

(45) **Date of Patent:** **** *Nov. 18, 2014**

(54) **DISPLAY PANEL WITH INFORMATIONAL DISPLAY**

(75) Inventors: **Naoki Tsuru**, Chiyoda-ku (JP); **Hiroshi Asaoka**, Chiyoda-ku (JP); **Junichi Kimura**, Chiyoda-ku (JP)

(73) Assignee: **Mitsubishi Electric Corporation**, Tokyo (JP)

(*) Notice: This patent is subject to a terminal disclaimer.

(**) Term: **14 Years**

(21) Appl. No.: **29/425,713**

(22) Filed: **Jun. 26, 2012**

(30) **Foreign Application Priority Data**

Dec. 27, 2011 (JP) 2011-030290

(51) **LOC (10) Cl.** **14-04**

(52) **U.S. Cl.**
USPC **D14/485**

(58) **Field of Classification Search**
USPC D14/485-485; D18/24-33; D20/11, 12, D20/18, 22-28; 715/700-867, 961-978
See application file for complete search history.

(56) **References Cited**

U.S. PATENT DOCUMENTS

5,796,402 A * 8/1998 Ellison-Taylor 715/792
6,289,361 B1 * 9/2001 Uchida 715/201

6,310,631 B1 *	10/2001	Cecco et al.	715/792
6,771,292 B2 *	8/2004	Sharp	715/788
D594,018 S *	6/2009	Ball et al.	D14/486
7,954,064 B2 *	5/2011	Forstall et al.	715/779
7,984,376 B2 *	7/2011	Yamabuchi et al.	715/273
8,127,229 B2 *	2/2012	Inoguchi et al.	715/273
8,434,019 B2 *	4/2013	Nelson	715/798
D687,841 S *	8/2013	Arnold et al.	D14/486
D692,450 S *	10/2013	Convay et al.	D14/486
2007/0174784 A1 *	7/2007	Yu et al.	715/799
2012/0159382 A1 *	6/2012	Matthews et al.	715/788

* cited by examiner

Primary Examiner — Mary Ann Calabrese

(74) *Attorney, Agent, or Firm* — Sughrue Mion, PLLC

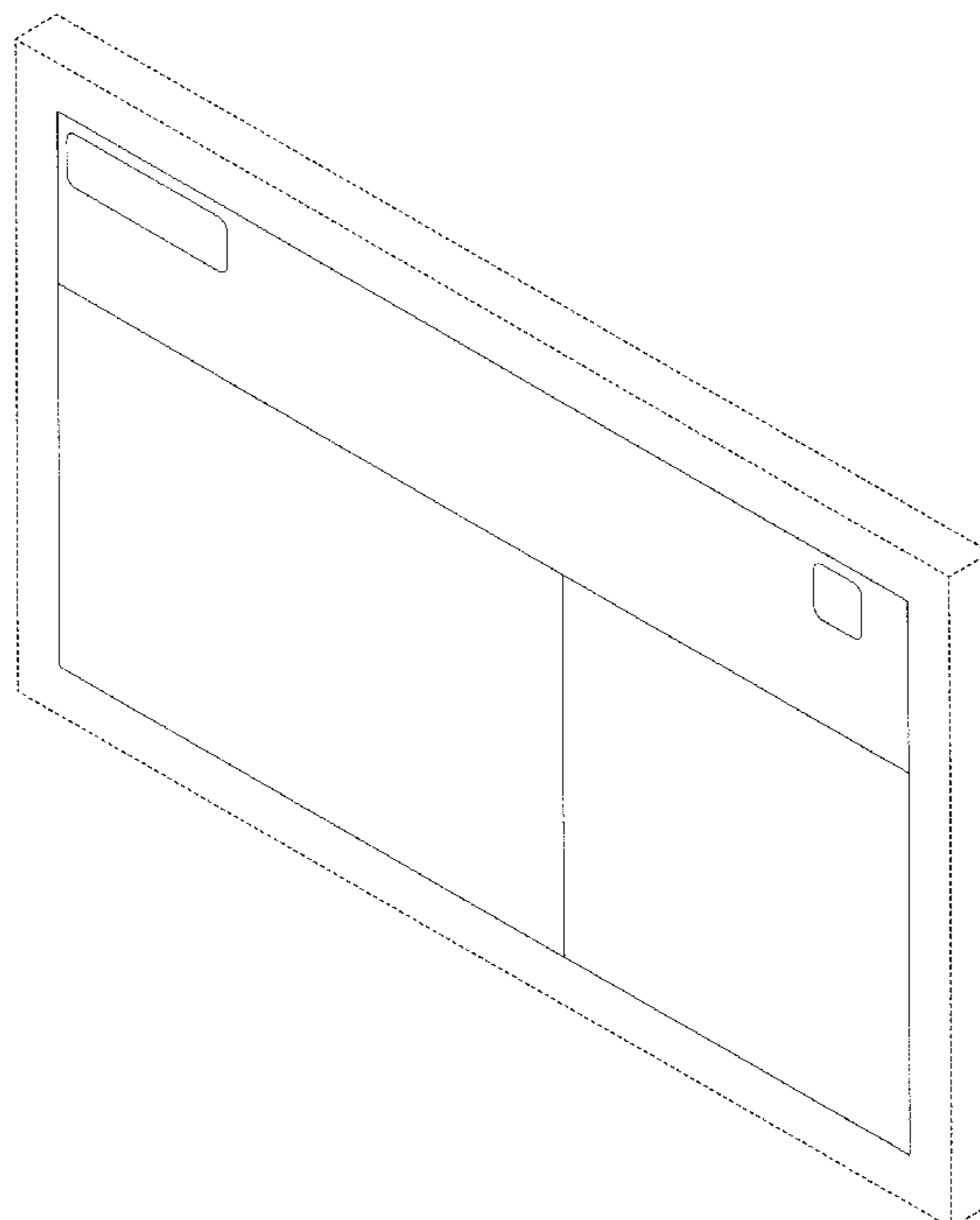
(57) **CLAIM**

The ornamental design for an display panel with informational display, as shown and described.

DESCRIPTION

FIG. 1 is a front, top and right side perspective view of an display panel with informational display, showing our new design;
FIG. 2 is a front elevational view thereof;
FIG. 3 is a rear elevational view thereof;
FIG. 4 is a right side elevational view thereof; and,
FIG. 5 is a top plan view thereof.
The broken lines represent a display panel and form no part of the claimed design.

1 Claim, 5 Drawing Sheets



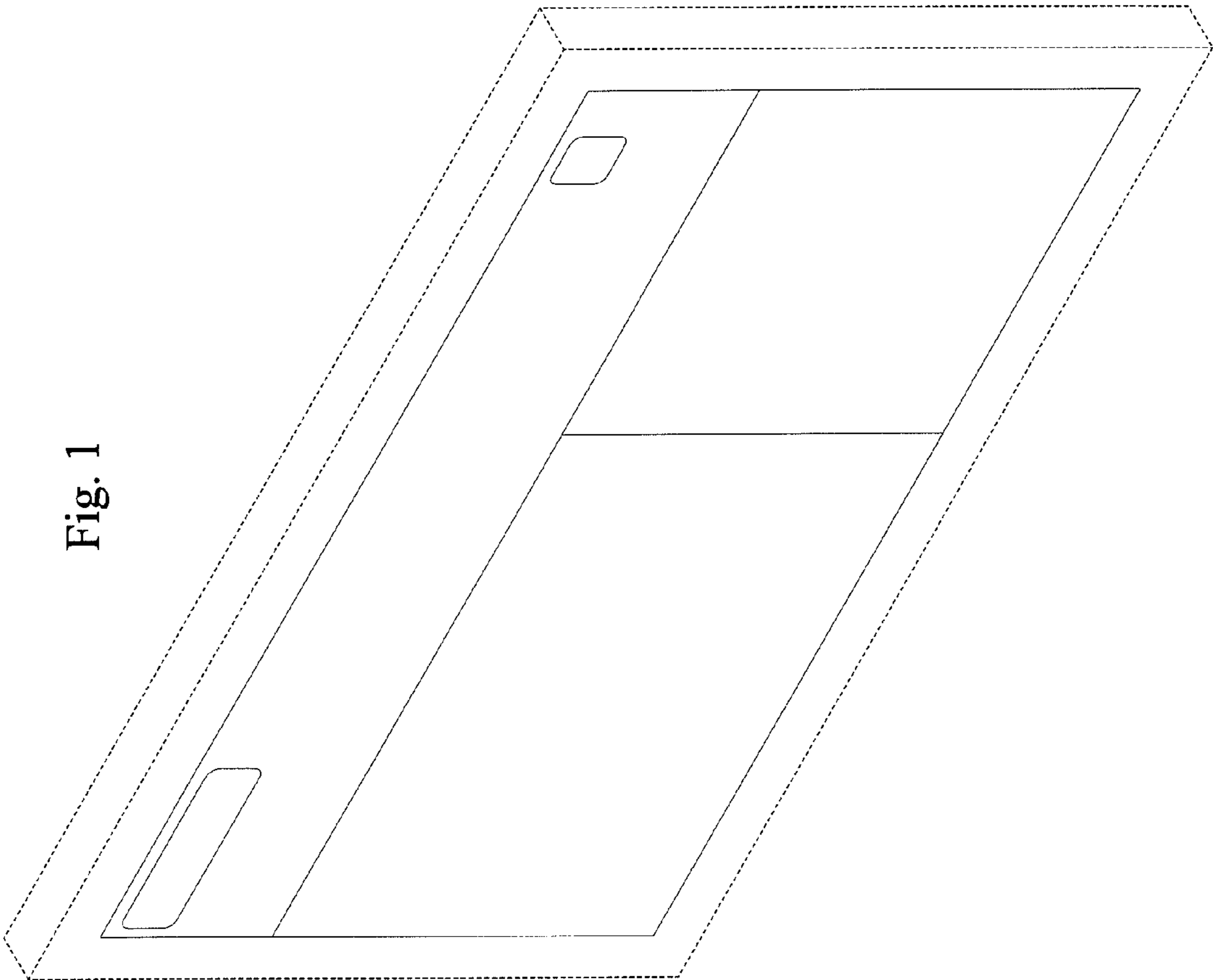


Fig. 1

Fig. 2

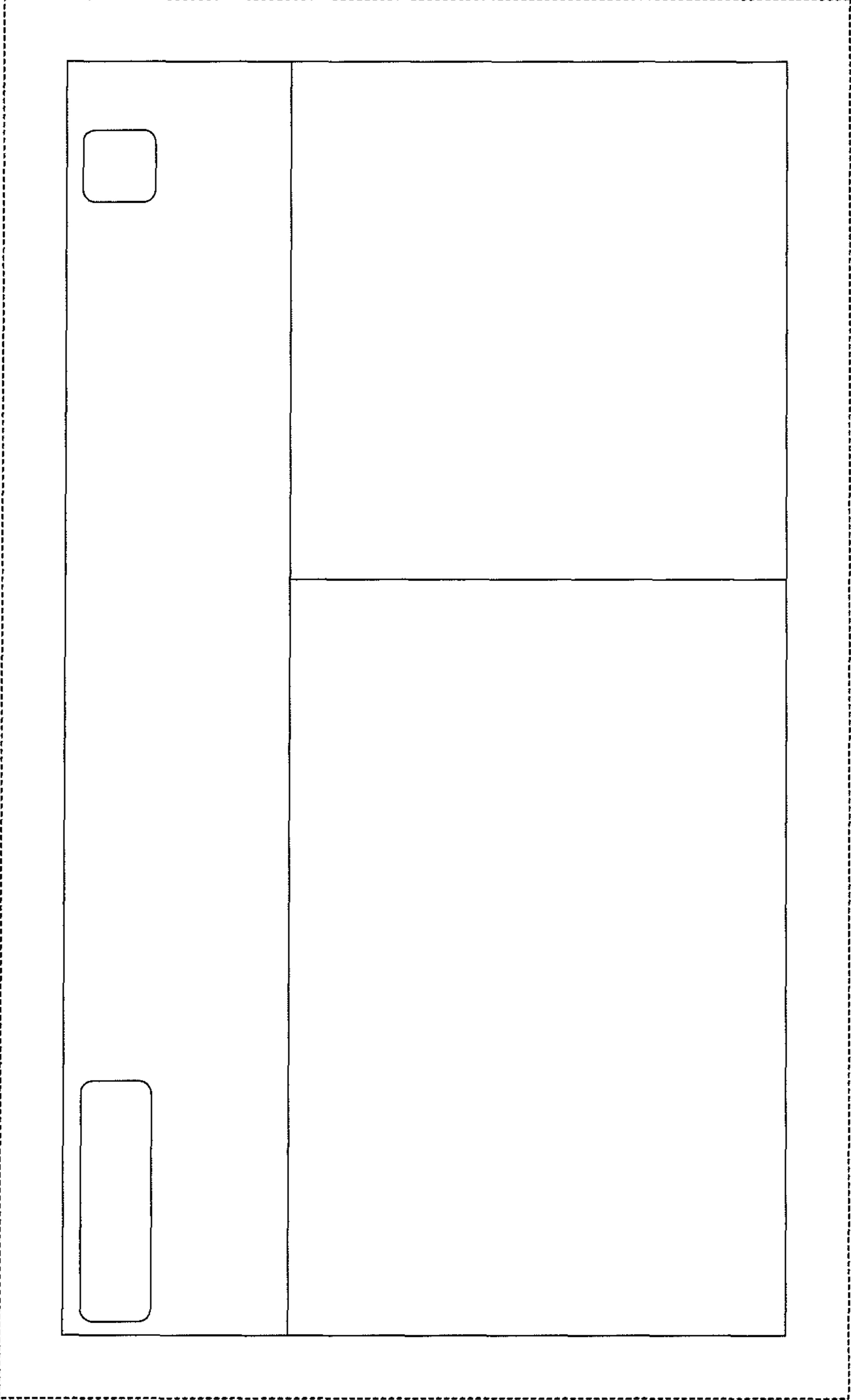


Fig. 3

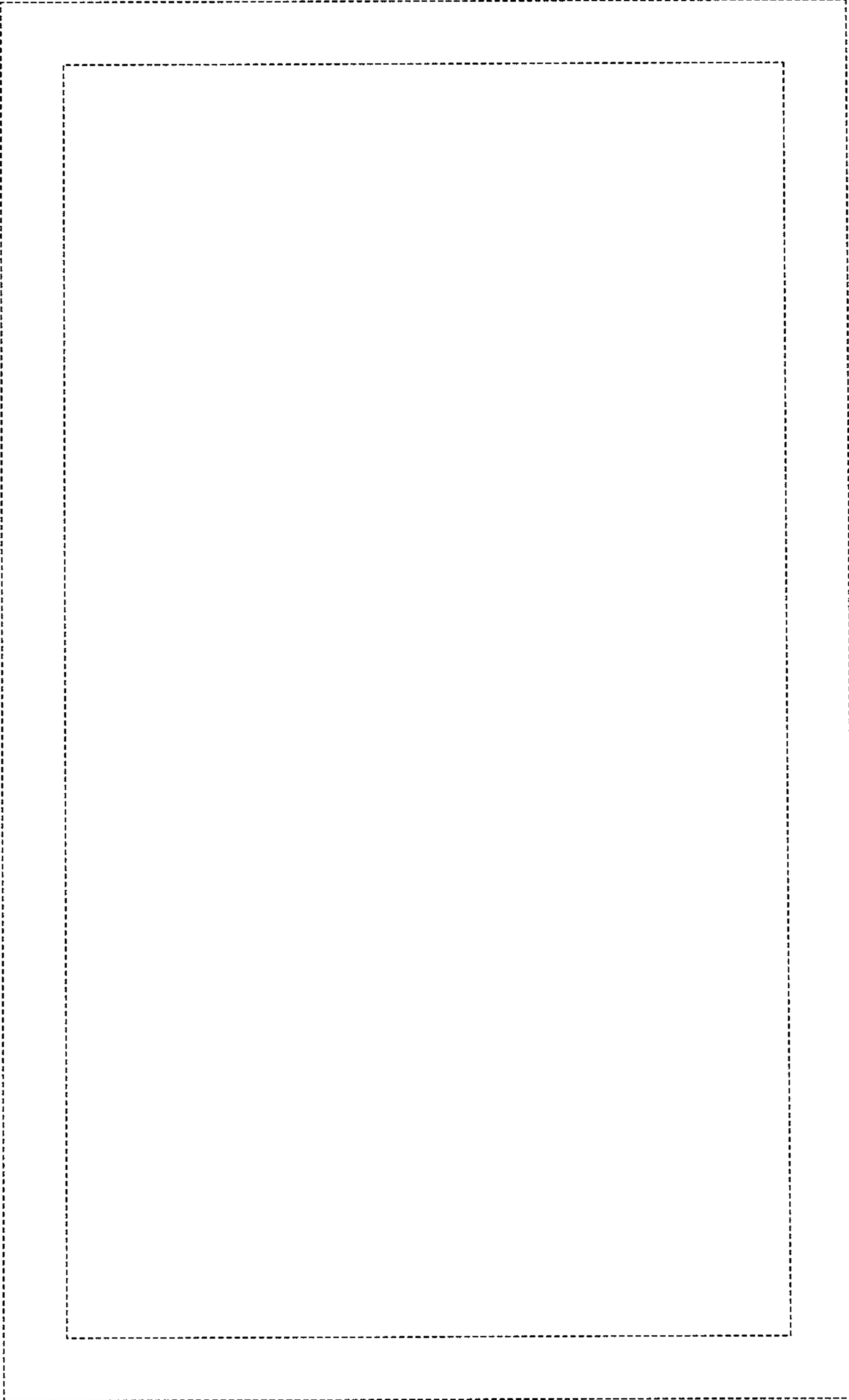


Fig. 4

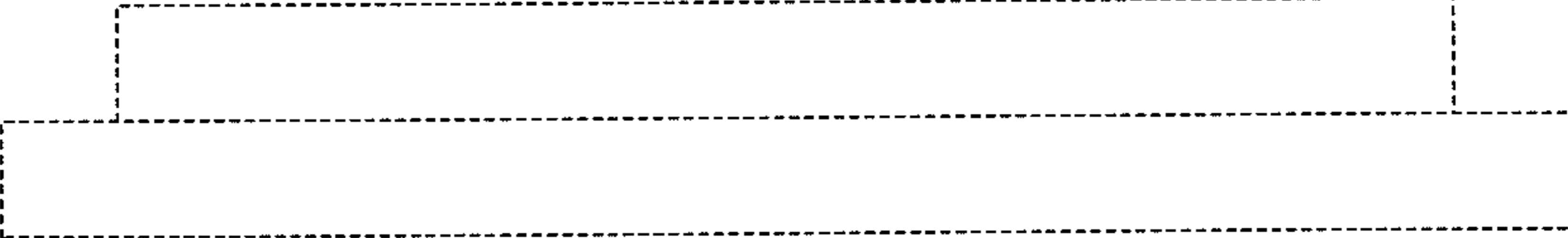


Fig. 5

