



US00D717805S

(12) **United States Design Patent**  
**Sang et al.**

(10) **Patent No.:** **US D717,805 S**  
(45) **Date of Patent:** **\*\* Nov. 18, 2014**

(54) **DISPLAY DEVICE**

(71) Applicant: **Samsung Electronics Co., Ltd.**,  
Suwon-Si (KR)

(72) Inventors: **Young Lee Sang**, Gwangmyung-si (KR);  
**Euiseok Kim**, Sungnam-si (KR)

(73) Assignee: **Samsung Electronics Co., Ltd.**,  
Gyeonggi-do (KR)

(\*\*) Term: **14 Years**

(21) Appl. No.: **29/457,813**

(22) Filed: **Jun. 13, 2013**

(30) **Foreign Application Priority Data**

Dec. 13, 2012 (KR) ..... 30-2012-0060277

(51) **LOC (10) Cl.** ..... **14-02**

(52) **U.S. Cl.**  
USPC ..... **D14/448**

(58) **Field of Classification Search**

USPC ..... D14/371-375, 125-129, 336, 337, 448,  
D14/451, 452, 492, 376-382, 450, 239;  
341/12; 345/104, 156, 168, 173;  
348/180, 184, 325, 739; 349/1, 2, 11,  
349/62; 361/679.05-679.07, 679.21;  
D6/300, 311-313, 308, 708, 310;  
D19/2

See application file for complete search history.

(56) **References Cited**

**U.S. PATENT DOCUMENTS**

3,007,278 A \* 11/1961 Million ..... 248/448  
3,058,706 A \* 10/1962 Snell ..... 248/27.8  
D246,593 S \* 12/1977 Paquette ..... D19/90  
D315,991 S \* 4/1991 Ball ..... D6/311  
D343,065 S \* 1/1994 Barbieri ..... D6/310  
D424,383 S \* 5/2000 Howitt et al. .... D7/600.4

D444,176 S \* 6/2001 Leslie ..... D19/59  
D457,011 S \* 5/2002 Wenner et al. .... D6/419  
D491,943 S \* 6/2004 Whitehorn et al. .... D14/375  
D534,360 S \* 1/2007 Dempsey ..... D6/312  
D545,359 S \* 6/2007 Bramhall ..... D19/2  
D600,455 S \* 9/2009 Nell ..... D6/308  
D634,722 S \* 3/2011 Kim et al. .... D14/126  
8,000,092 B2 \* 8/2011 Kim ..... 361/679.21  
D645,867 S \* 9/2011 Wong et al. .... D14/447  
D670,257 S \* 11/2012 Yang et al. .... D14/126  
8,390,996 B2 \* 3/2013 Park ..... 361/679.22  
D680,089 S \* 4/2013 Cho et al. .... D14/126  
D682,799 S \* 5/2013 Hwang Bo et al. .... D14/126

\* cited by examiner

*Primary Examiner* — Deanna L Pratt

*Assistant Examiner* — Katie Mroczka

(74) *Attorney, Agent, or Firm* — Harness, Dickey & Pierce,  
P.L.C.

(57) **CLAIM**

The ornamental design for a display device, as shown and described.

**DESCRIPTION**

FIG. 1 is the front/right-side/top perspective view of a display device showing our new design;

FIG. 2 is the front elevational view thereof;

FIG. 3 is the rear elevational view thereof;

FIG. 4 is the left-side elevational view thereof;

FIG. 5 is the right-side elevational view thereof;

FIG. 6 is the top-side plan view thereof; and,

FIG. 7 is the bottom-side plan view thereof.

The regularly spaced broken lines in FIGS. 1-3, 6, and 7 illustrate portions of the display device which form no part of the claimed design. The irregularly spaced broken lines in FIGS. 1-3 illustrate the bounds of the claim and form no part thereof.

The shade lines in the figures show contour and not surface ornamentation.

**1 Claim, 6 Drawing Sheets**

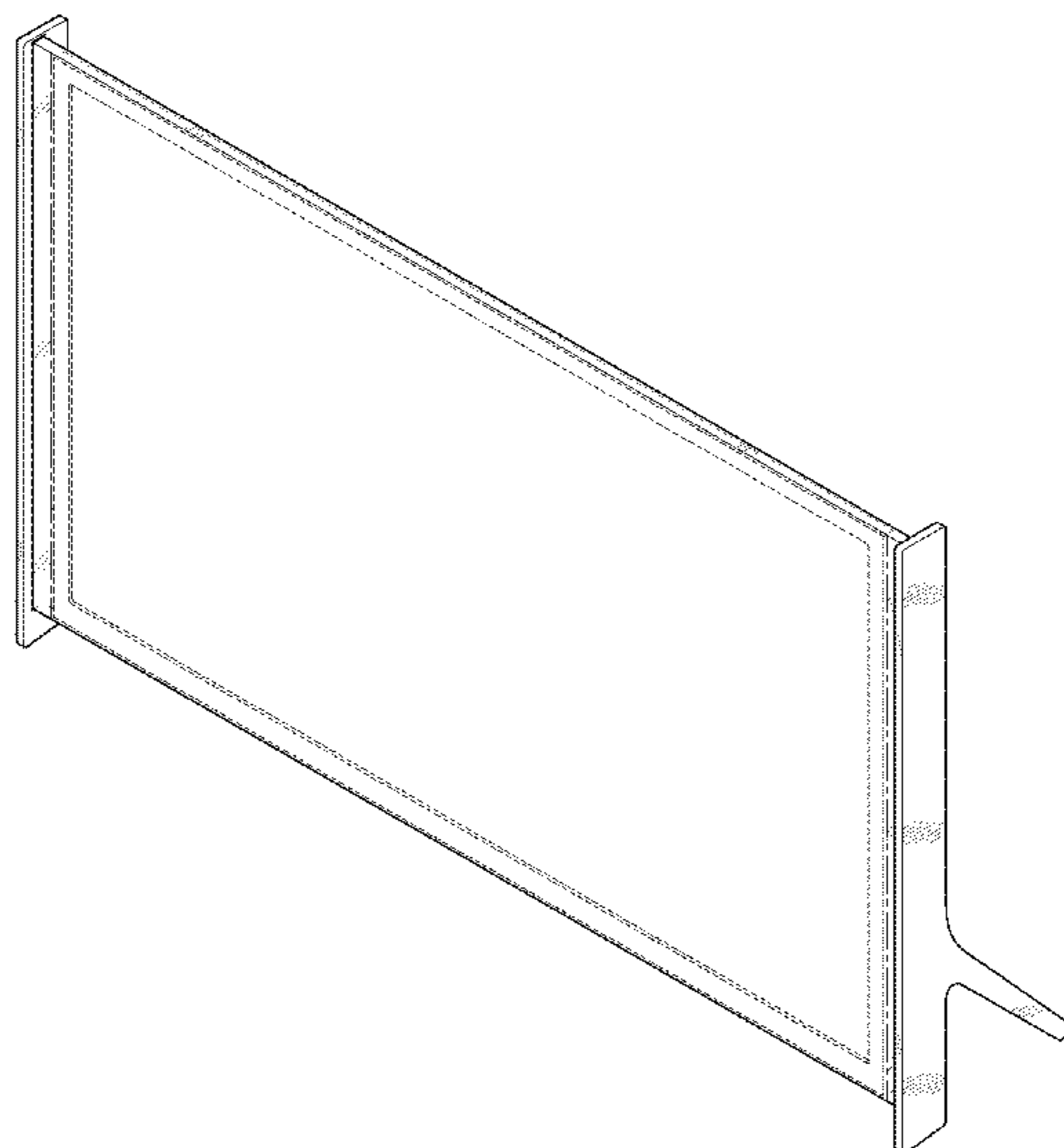


FIG. 1

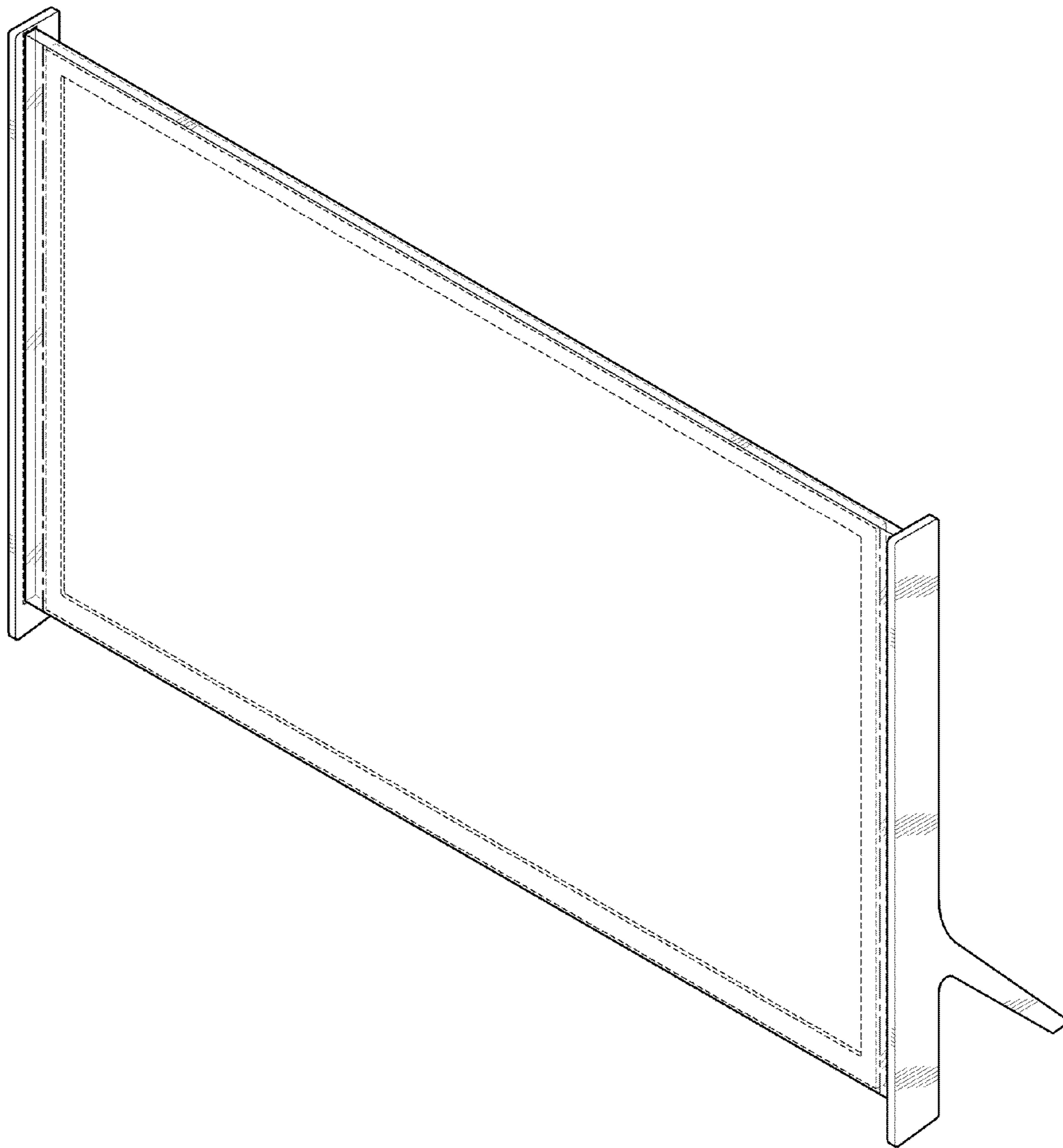


FIG. 2

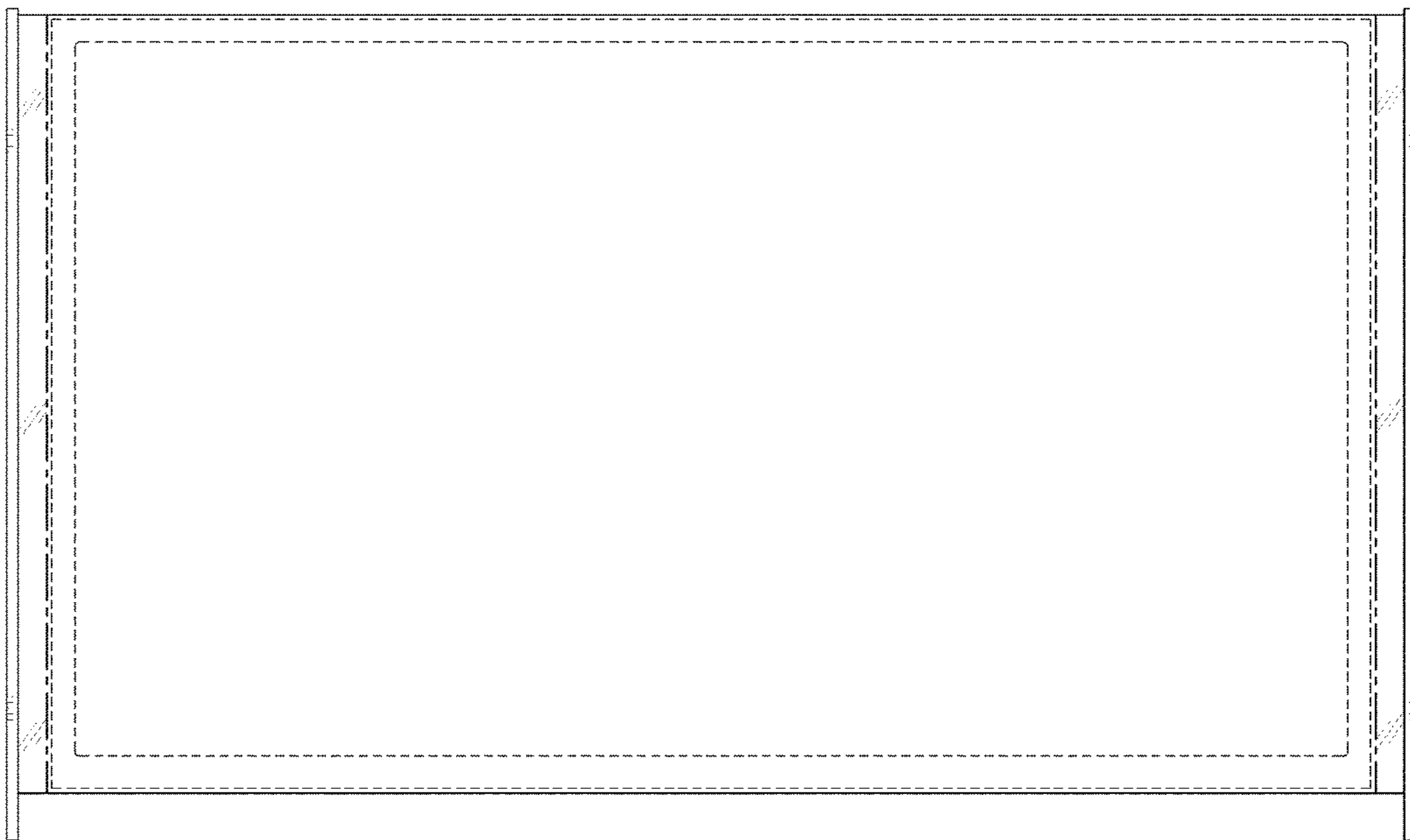
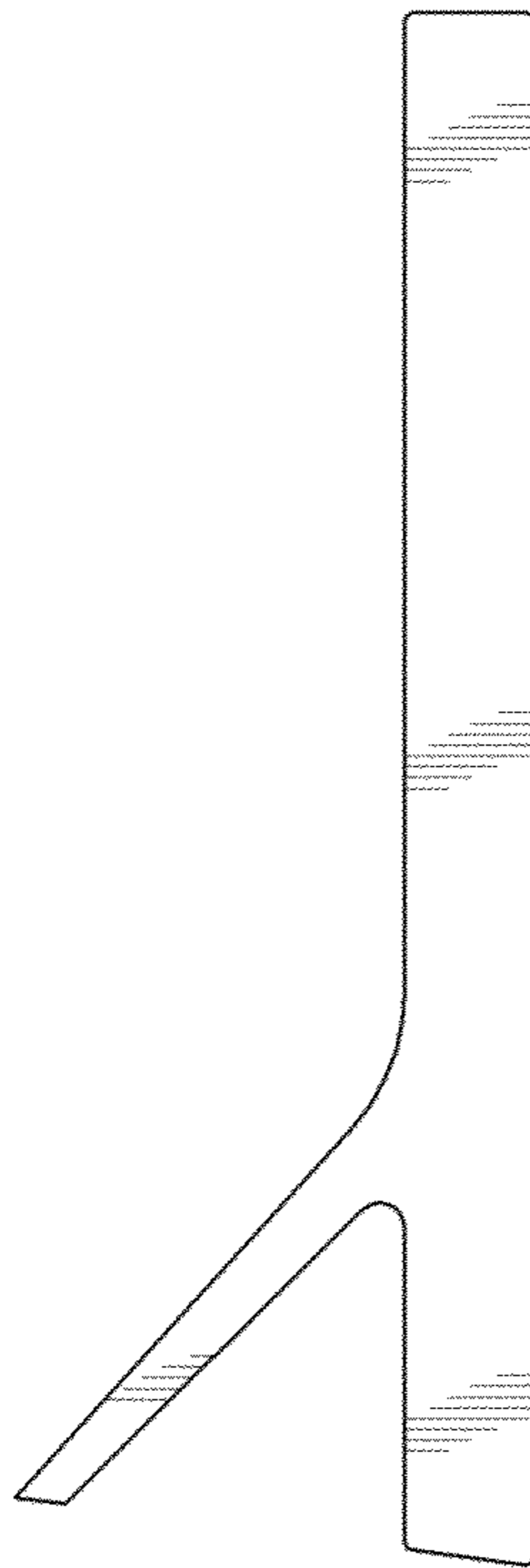


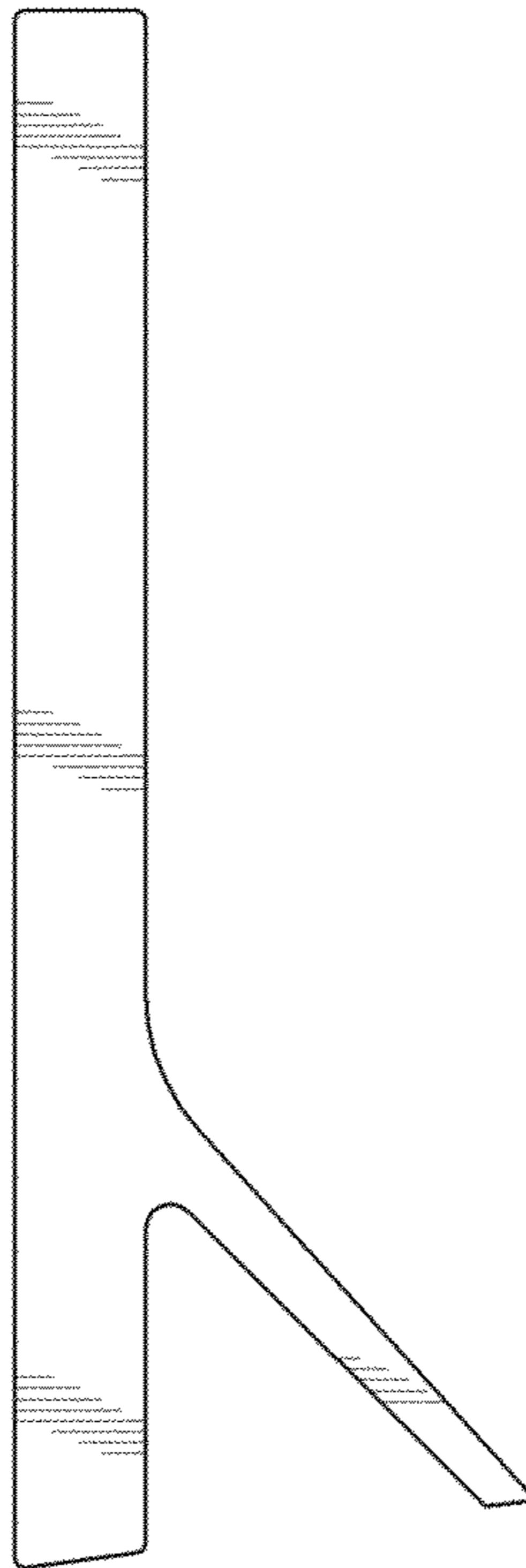
FIG. 3



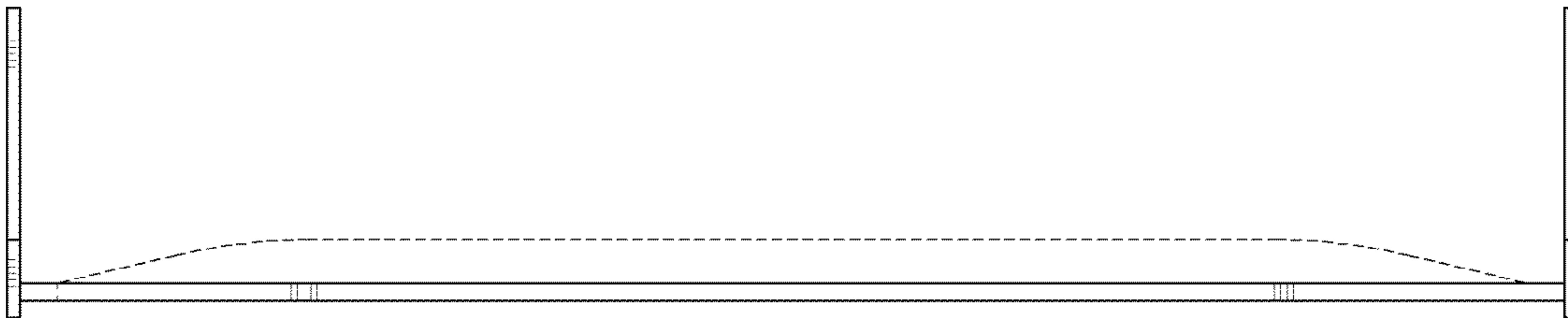
**FIG. 4**



**FIG. 5**



**FIG. 6**



**FIG. 7**

