



US00D717803S

(12) **United States Design Patent**
Takano et al.

(10) **Patent No.:** **US D717,803 S**
(45) **Date of Patent:** **** Nov. 18, 2014**

(54) **I/O MODULE UNIT**

(71) Applicant: **Yokogawa Electric Corporation,**
Musashino (JP)

(72) Inventors: **Naoto Takano,** Musashino (JP); **Takashi Hara,** Musashino (JP)

(73) Assignee: **Yokogawa Electric Corporation,** Tokyo (JP)

(**) Term: **14 Years**

(21) Appl. No.: **29/488,975**

(22) Filed: **Apr. 25, 2014**

(30) **Foreign Application Priority Data**

Nov. 27, 2013 (JP) 2013-027767

(51) **LOC (10) Cl.** **14-02**

(52) **U.S. Cl.**
USPC **D14/439; D14/433**

(58) **Field of Classification Search**
USPC D14/300–302, 308–313, 314, 348,
D14/353–355, 432, 439–446, 240;
361/679.02, 679.31, 679.5, 690, 694,
361/679.23, 801, 802; 312/332.1, 334.1;
D13/162; D10/50
See application file for complete search history.

(56) **References Cited**

U.S. PATENT DOCUMENTS

D374,663 S * 10/1996 Rodrigues et al. D14/433
5,700,986 A * 12/1997 Rurup et al. 200/50.32

5,716,241 A * 2/1998 Hennemann et al. 439/716
D399,191 S * 10/1998 Corrington et al. D14/312
6,498,723 B1 * 12/2002 Konshak et al. 361/679.34
D481,384 S * 10/2003 Alo D14/301
D488,815 S * 4/2004 Hashimoto et al. 14/433
7,499,271 B2 * 3/2009 Wagatsuma et al. 361/679.33
D609,195 S * 2/2010 Yamashita et al. D13/162
D611,049 S * 3/2010 Kramer et al. D14/432
D688,248 S * 8/2013 Tsuda et al. D14/439
D702,242 S * 4/2014 Tsuda et al. D14/439

* cited by examiner

Primary Examiner — Austin Murphy

(74) *Attorney, Agent, or Firm* — Sughrue Mion, PLLC

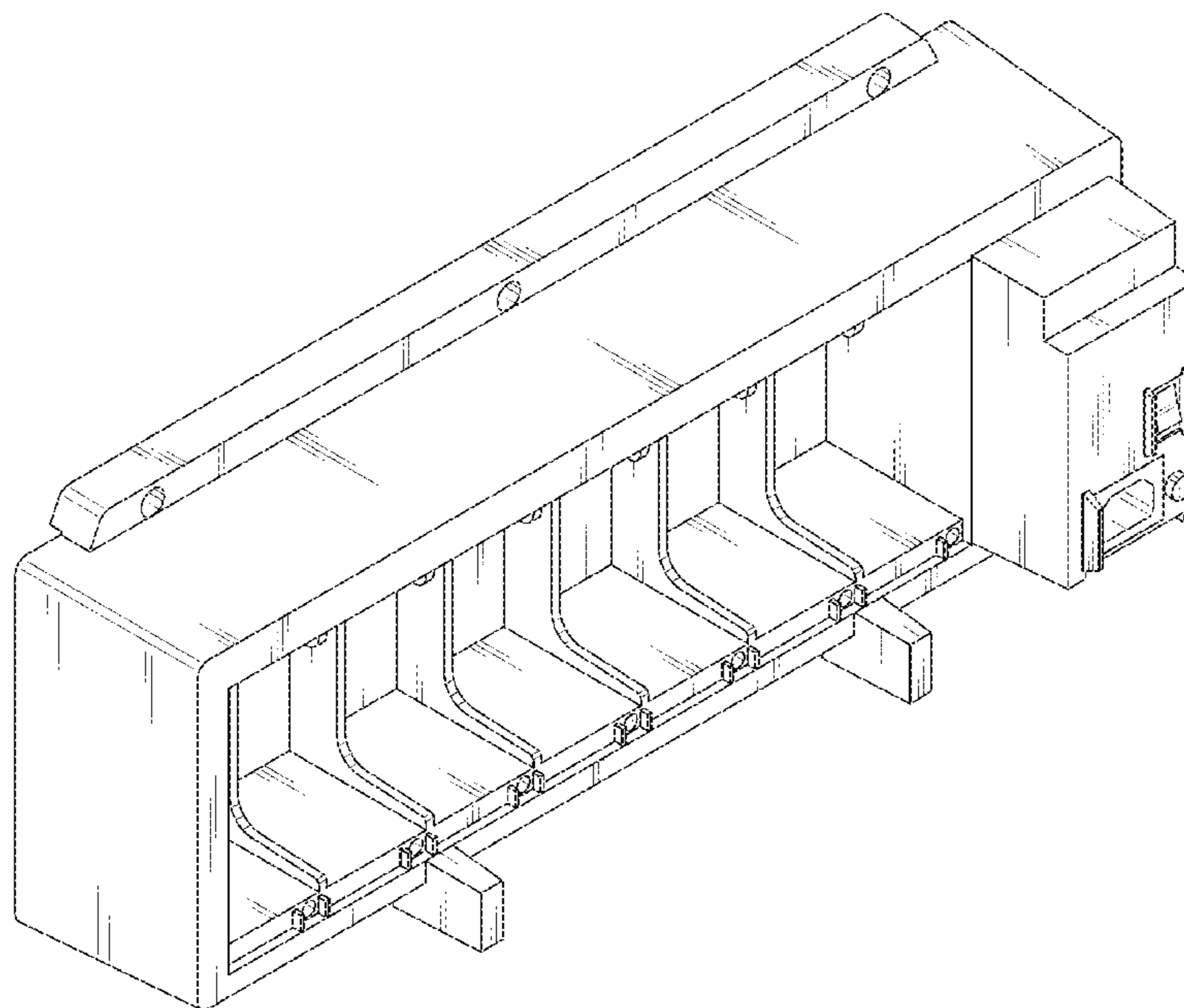
(57) **CLAIM**

The ornamental design for an I/O module unit, as shown and described.

DESCRIPTION

FIG. 1 is a perspective view of an I/O module unit showing our new design;
FIG. 2 is a front view thereof;
FIG. 3 is a rear view thereof;
FIG. 4 is a left side view thereof;
FIG. 5 is a right side view thereof;
FIG. 6 is a top view thereof;
FIG. 7 is a bottom view thereof; and,
FIG. 8 is a perspective view thereof showing a state that I/O modules are attached to the I/O module unit.
The broken lines shown are included for the purpose of illustrating the unclaimed portions of the I/O module unit and form no part of the claimed design.

1 Claim, 7 Drawing Sheets



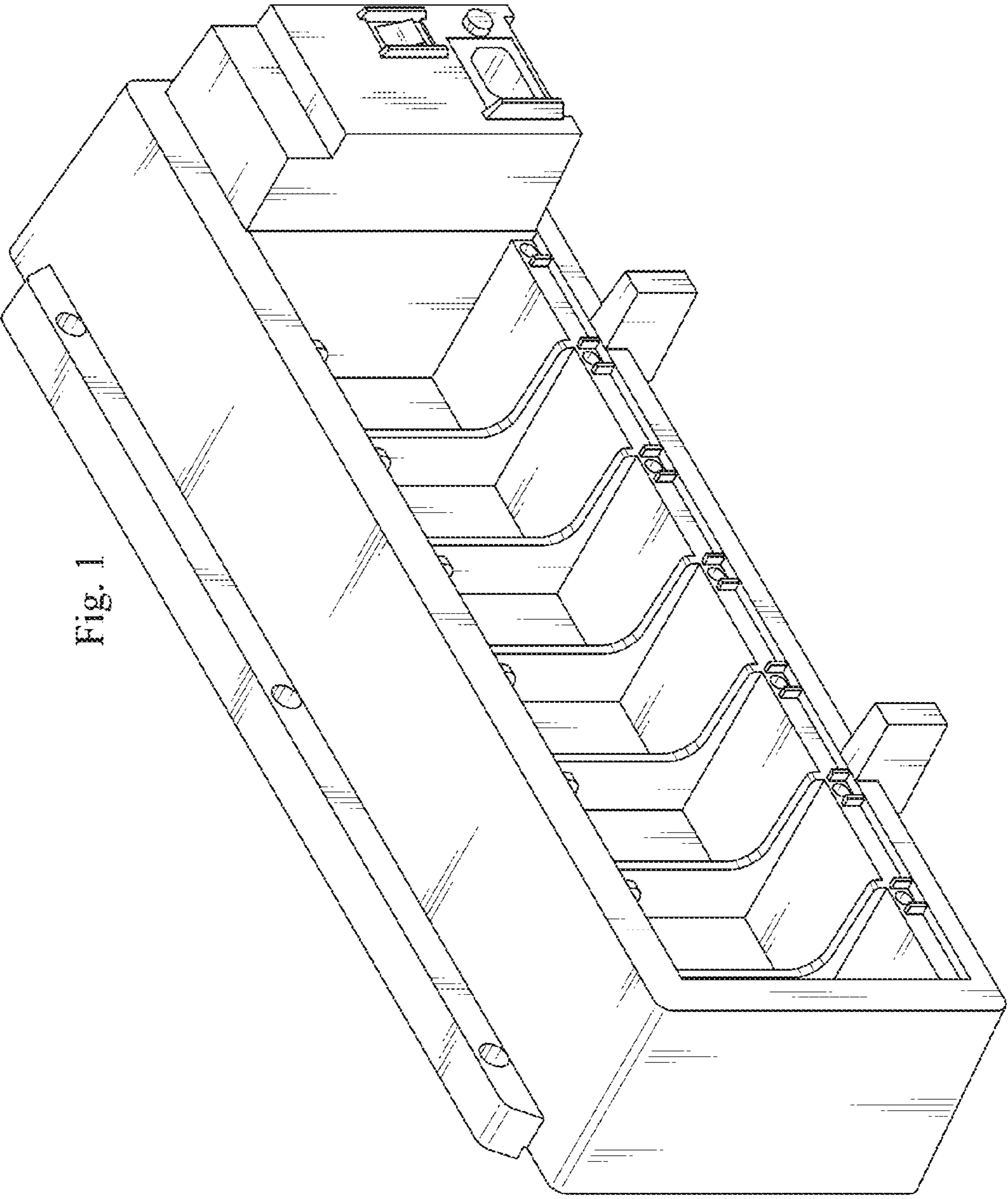


Fig. 1

Fig. 2

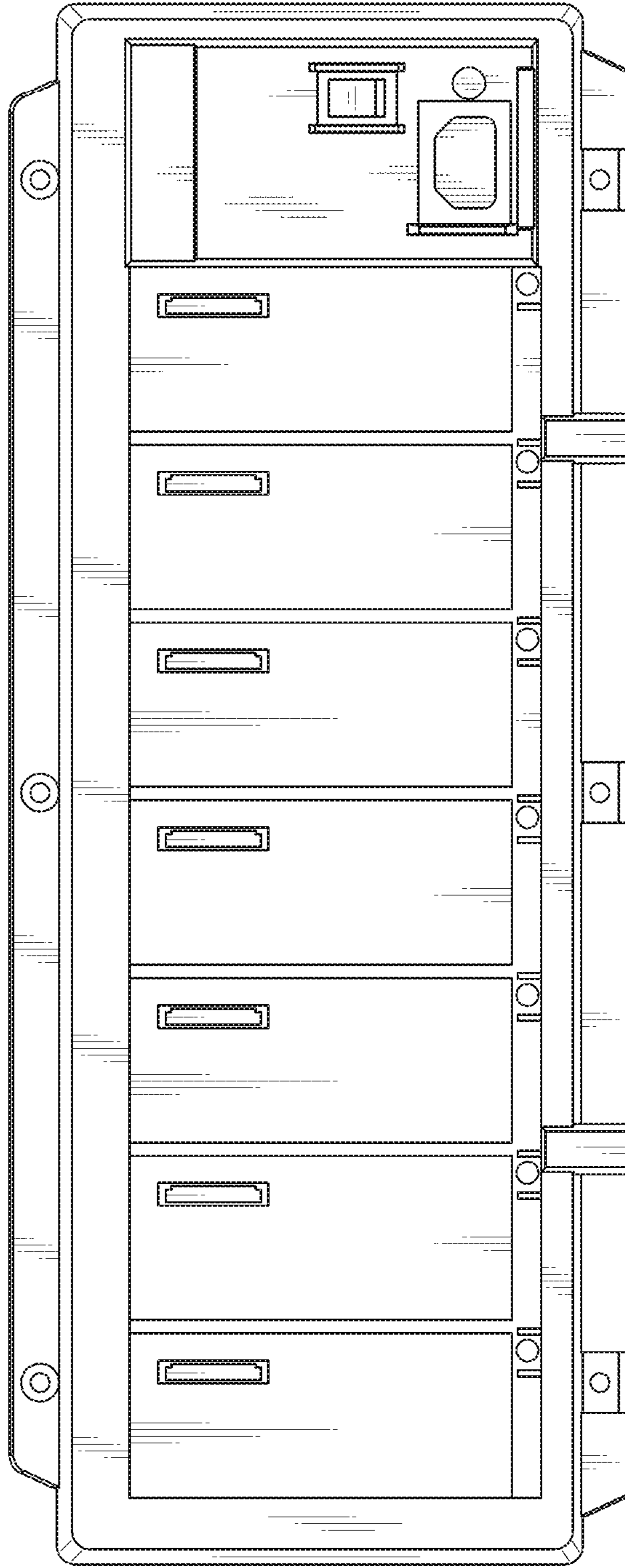


Fig. 3

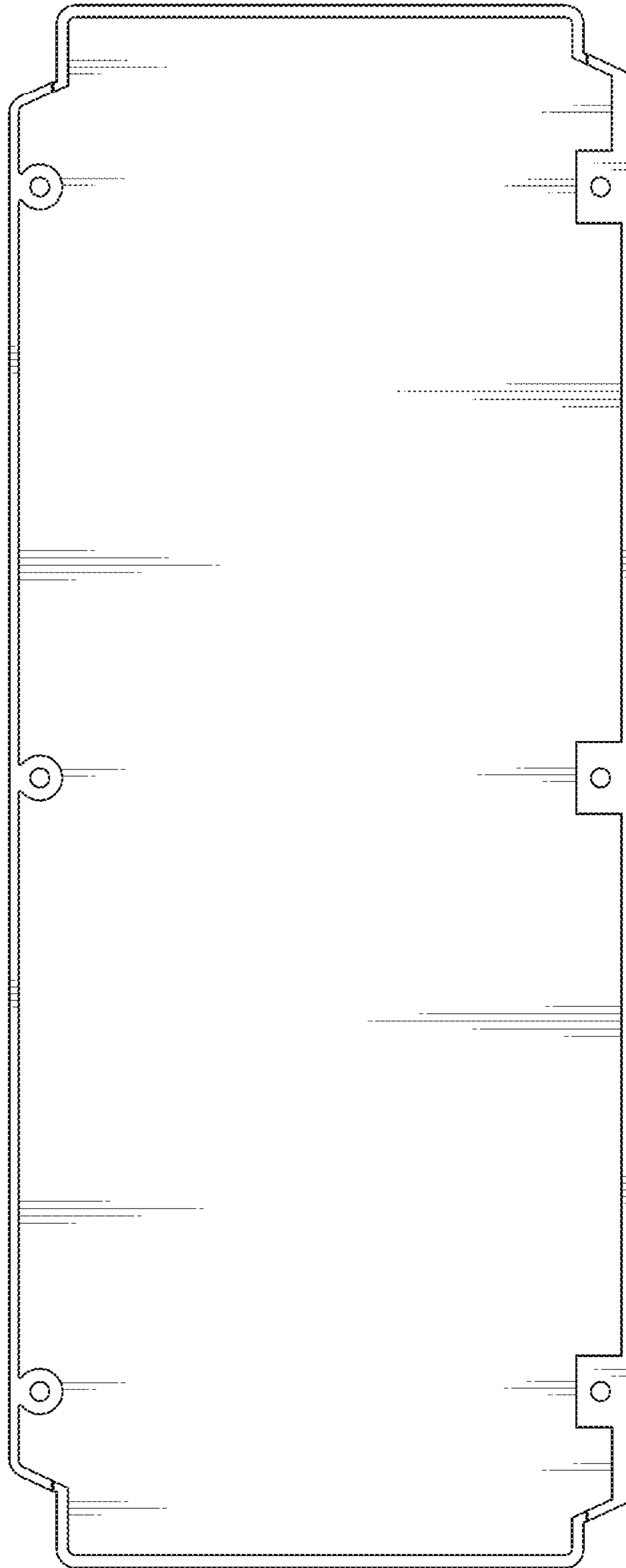


Fig. 5

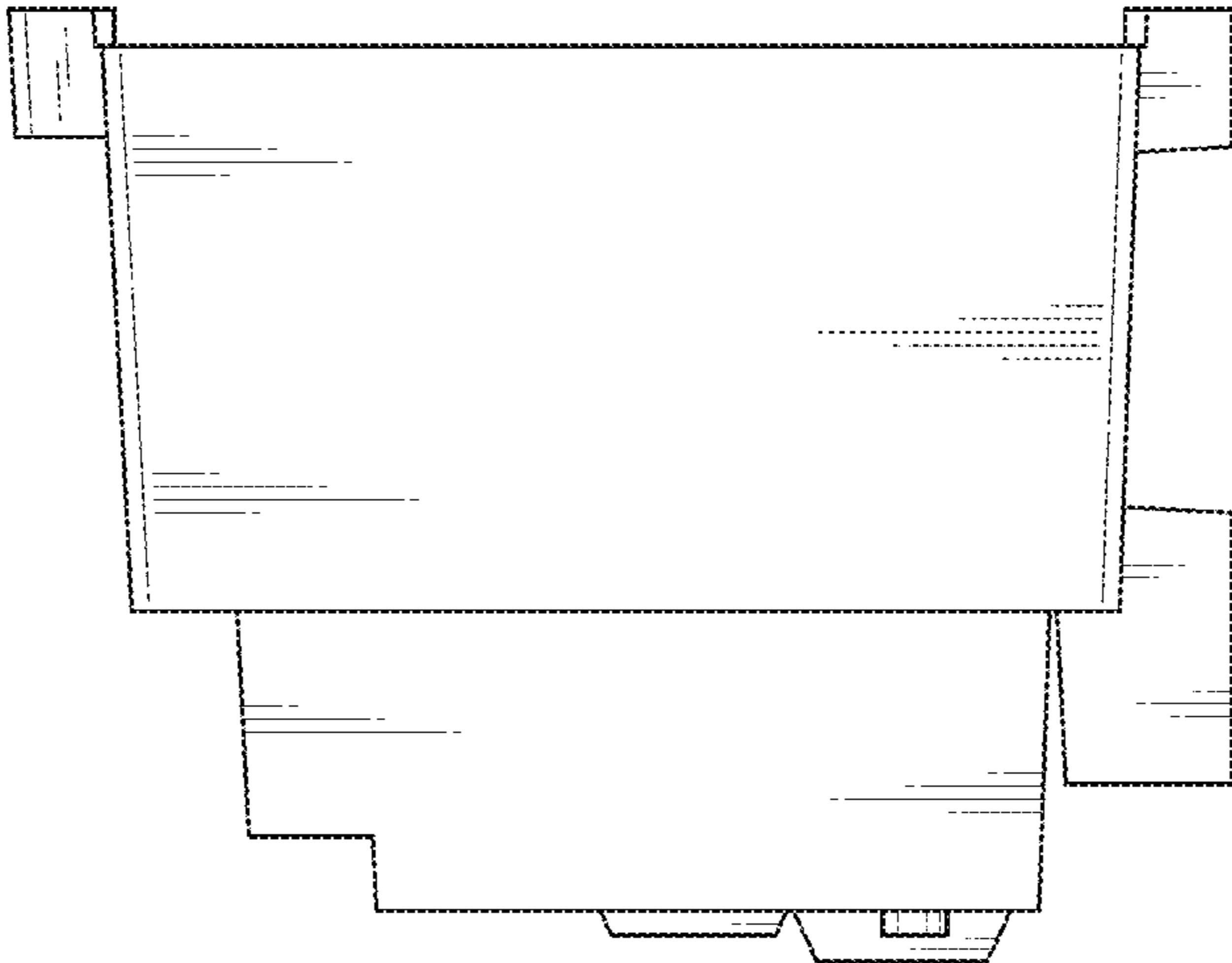


Fig. 4

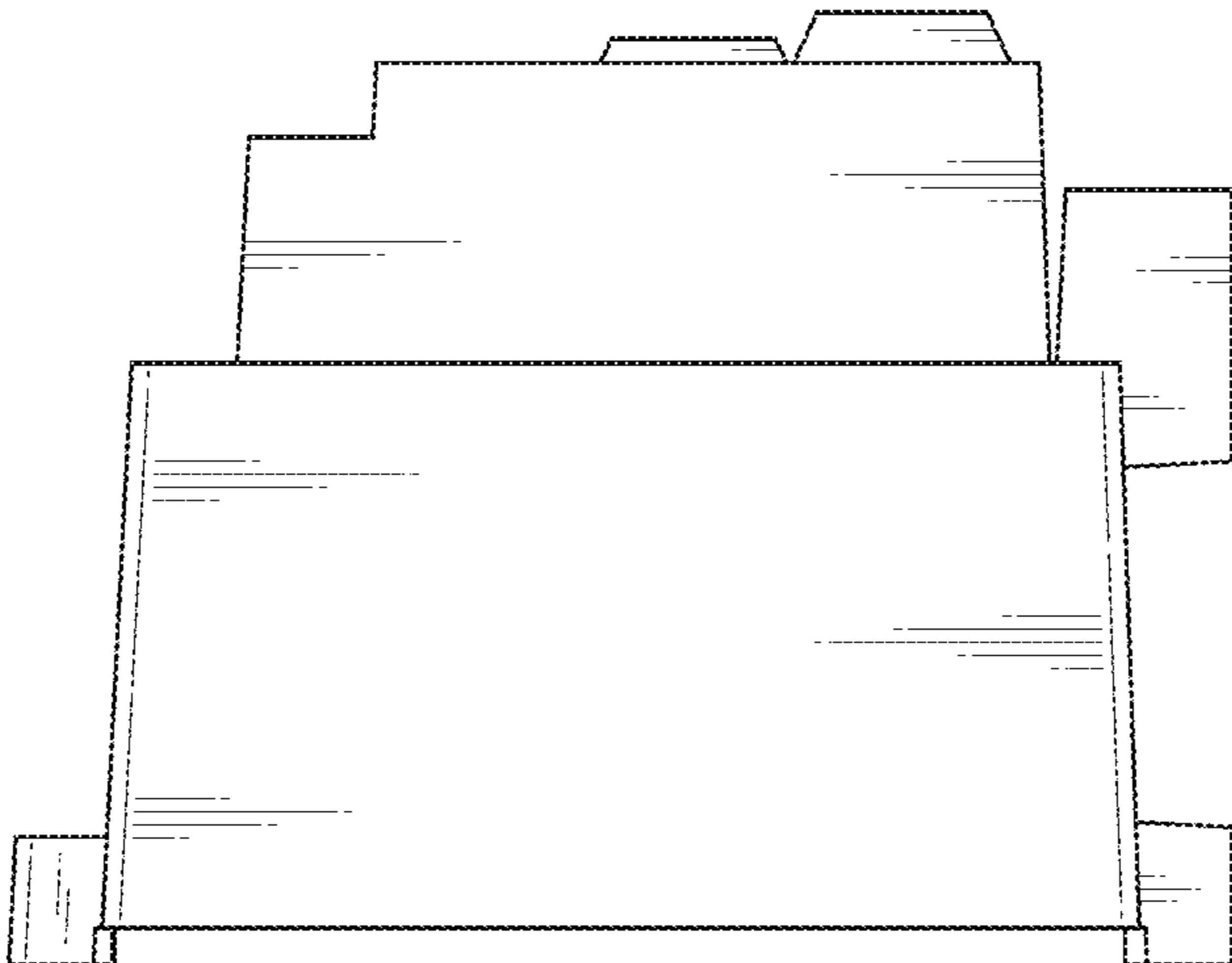


Fig. 6

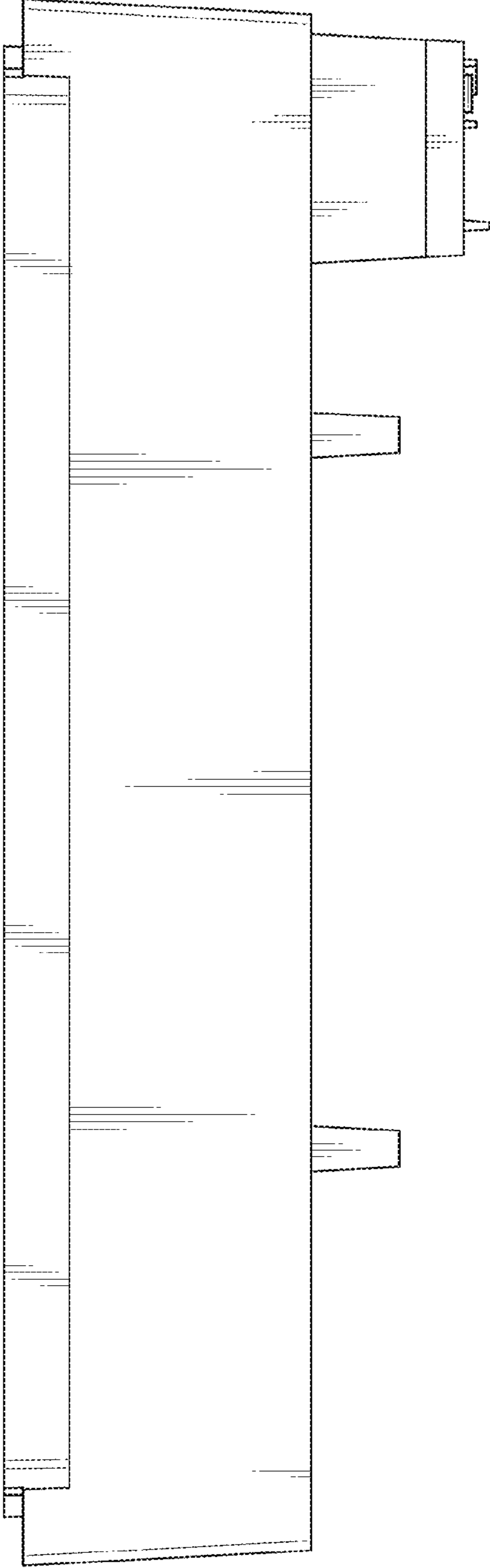
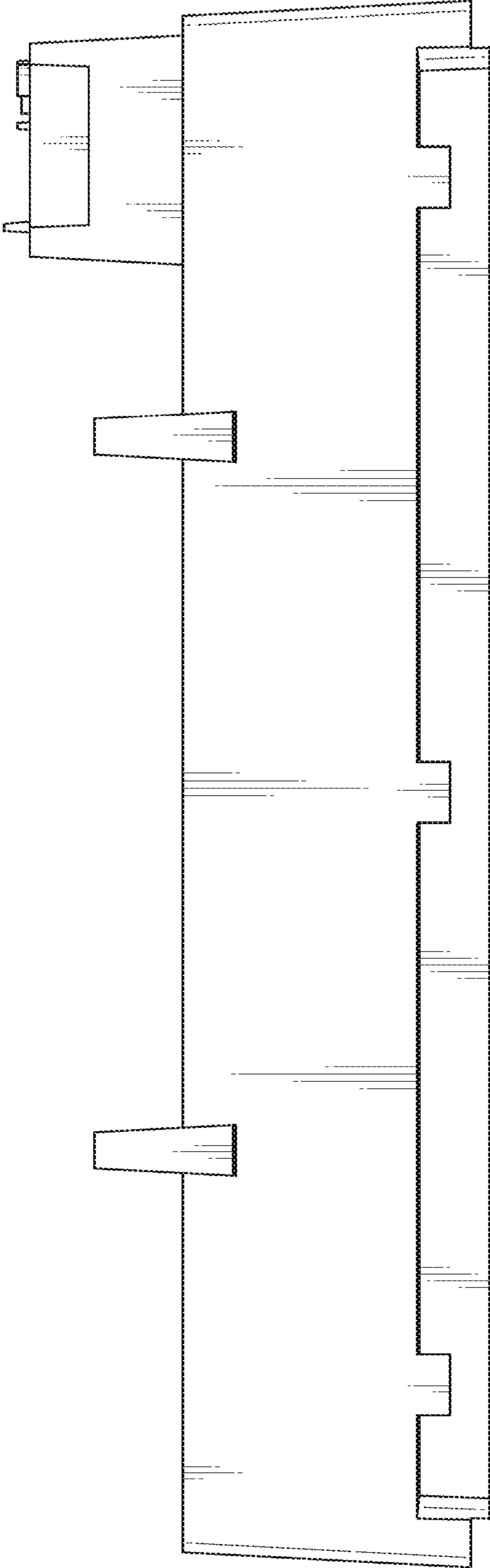


Fig. 7



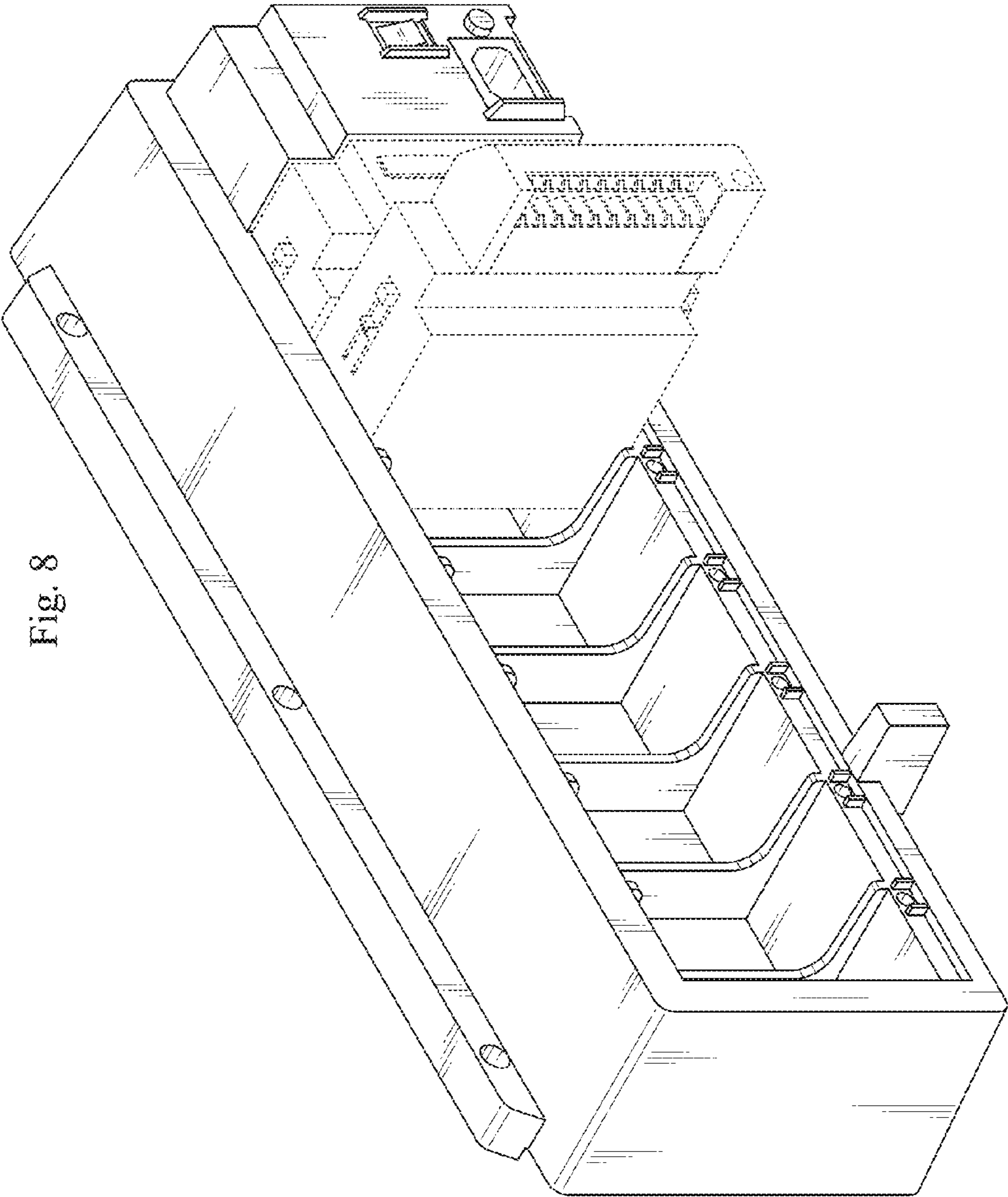


Fig. 8