



US00D717801S

(12) **United States Design Patent**  
**Rantala et al.**

(10) **Patent No.:** **US D717,801 S**  
(45) **Date of Patent:** **\*\* Nov. 18, 2014**

(54) **BATTERY COMPARTMENT OF PORTABLE PROCESSING APPARATUS**

(71) Applicant: **Aava Mobile Oy, Oulu (FI)**

(72) Inventors: **Janne Rantala, Oulu (FI); Toni Honkanen, Oulu (FI)**

(73) Assignee: **Aava Mobile Oy, Oulu (FI)**

(\*\*) Term: **14 Years**

(21) Appl. No.: **29/478,837**

(22) Filed: **Jan. 9, 2014**

(51) **LOC (10) Cl.** ..... **14-02**

(52) **U.S. Cl.**  
USPC ..... **D14/439**

(58) **Field of Classification Search**  
USPC ..... D14/316–319, 432–439, 442, 451–454,  
D14/496, 495, 391, 385, 367, 356; D8/331,  
D8/330; D18/50, 4.6, 4.5; 439/630, 635,  
439/639, 160; 360/2; 235/492, 486, 479,  
235/380

See application file for complete search history.

(56) **References Cited**

**U.S. PATENT DOCUMENTS**

D424,035	S *	5/2000	Steiner et al.	.....	D14/439
7,660,560	B2 *	2/2010	Zuo et al.	.....	455/90.3
D671,947	S *	12/2012	Akana et al.	.....	D14/439
D673,958	S *	1/2013	Fathollahi	.....	D14/440
D675,210	S *	1/2013	Kim	.....	D14/440

D677,666	S *	3/2013	Akana et al.	.....	D14/439
8,548,541	B2 *	10/2013	Rayner	.....	455/575.8
D694,241	S *	11/2013	Cho	.....	D14/432
D701,208	S *	3/2014	Ai et al.	.....	D14/439
D708,621	S *	7/2014	Gifford et al.	.....	D14/447
2006/0281501	A1 *	12/2006	Zuo et al.	.....	455/575.1
2009/0032420	A1 *	2/2009	Zenzai	.....	206/316.2
2009/0215412	A1 *	8/2009	Liu et al.	.....	455/90.3
2010/0061055	A1 *	3/2010	Dabov et al.	.....	361/679.56
2011/0151945	A1 *	6/2011	Jiang et al.	.....	455/575.1
2012/0002352	A1 *	1/2012	Hsiung	.....	361/679.01
2012/0099262	A1 *	4/2012	Reber et al.	.....	361/679.4

\* cited by examiner

*Primary Examiner* — Austin Murphy

(74) *Attorney, Agent, or Firm* — Young & Thompson

(57) **CLAIM**

The ornamental design for a battery compartment of portable processing apparatus, as shown and described.

**DESCRIPTION**

FIG. 1 is a front, left side and top perspective view of a battery compartment of portable processing apparatus showing the new design;

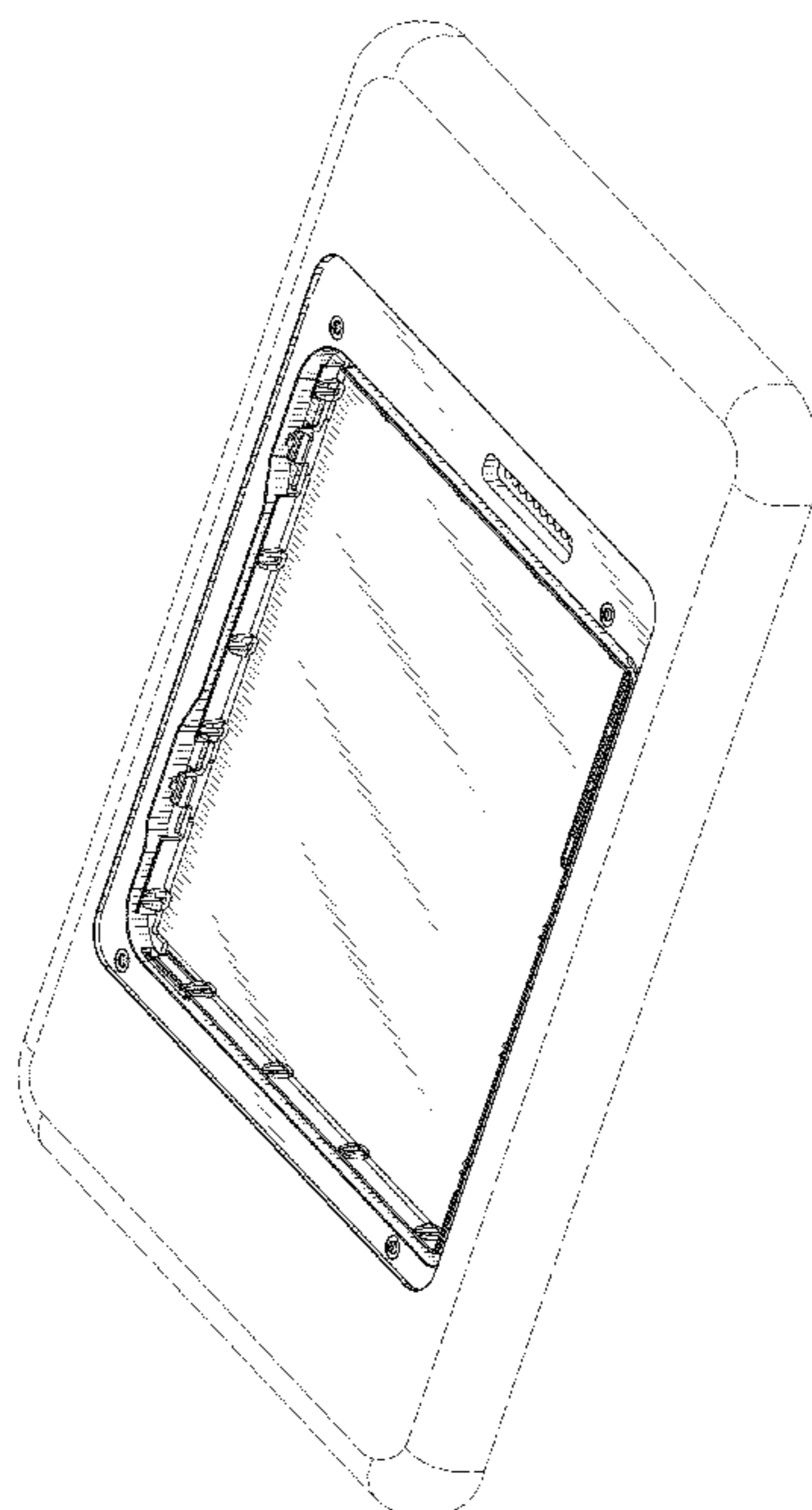
FIG. 2 is a front, right side, and bottom perspective view thereof; and,

FIG. 3 is a front elevation view thereof.

The broken lines shown in the figures represent unclaimed portions of the battery compartment of portable processing apparatus and form no part of the claimed design.

The rear of the device shown embodying the design does not include any claimed subject matter.

**1 Claim, 3 Drawing Sheets**



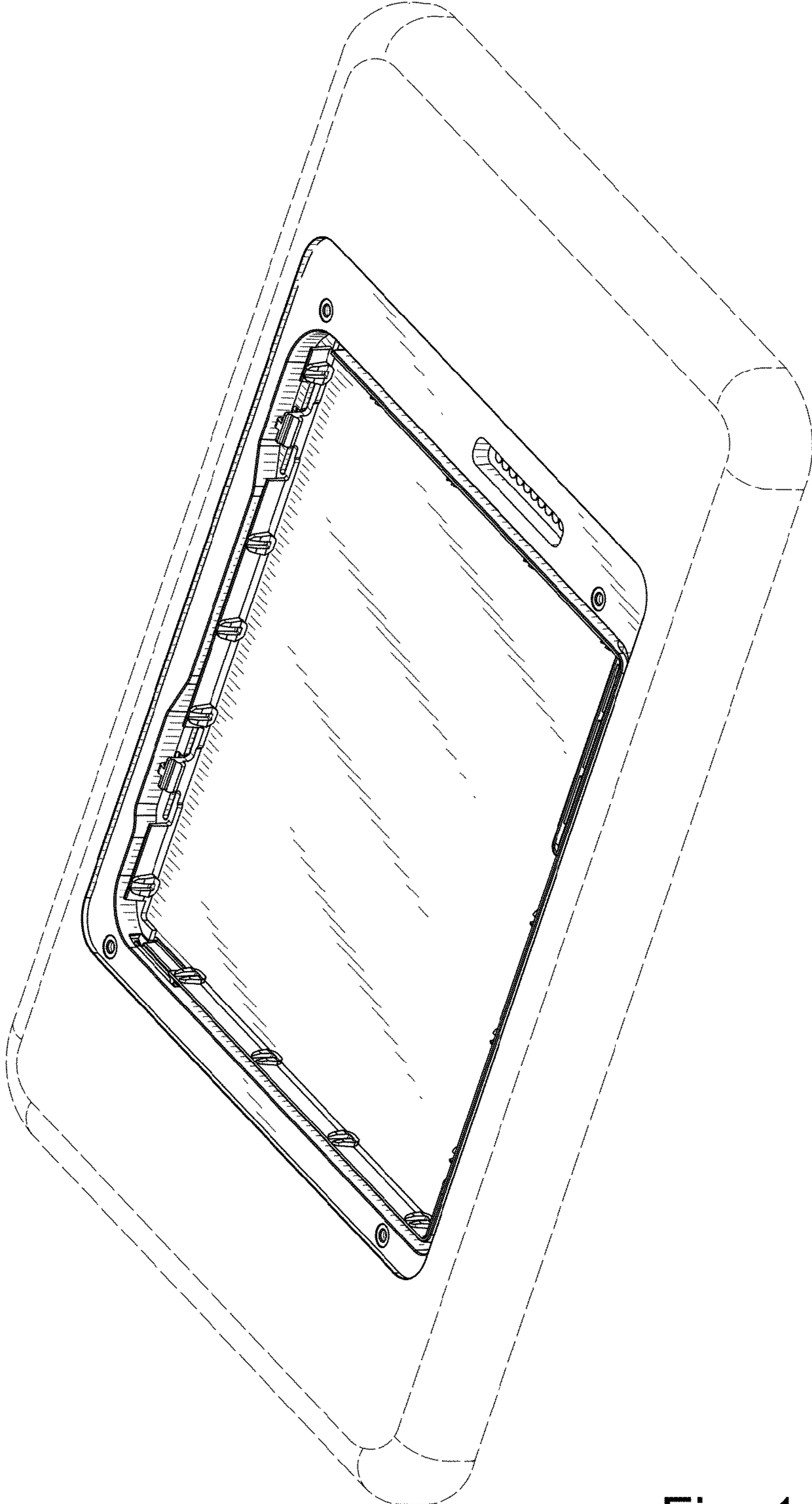


Fig. 1

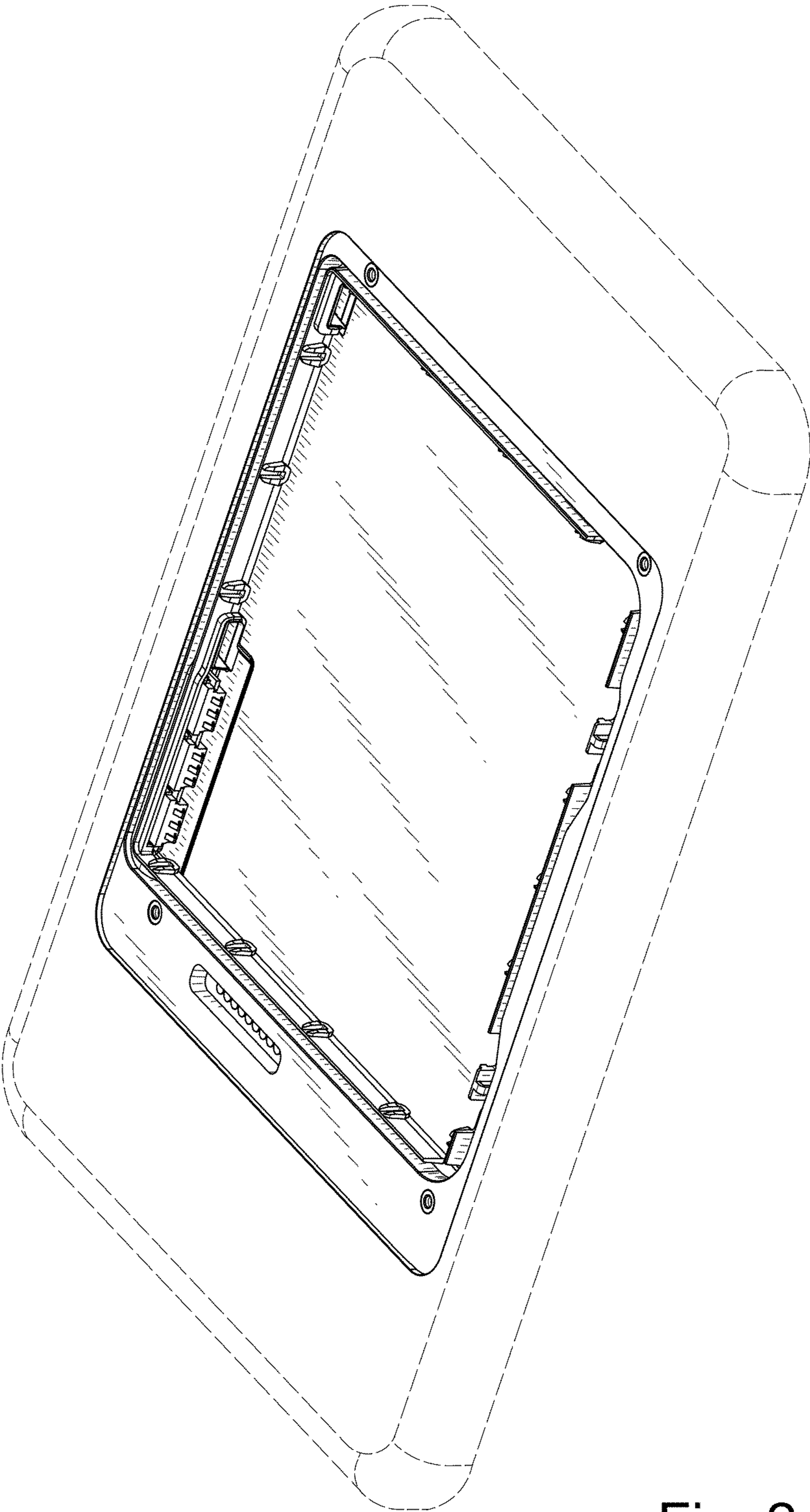


Fig. 2

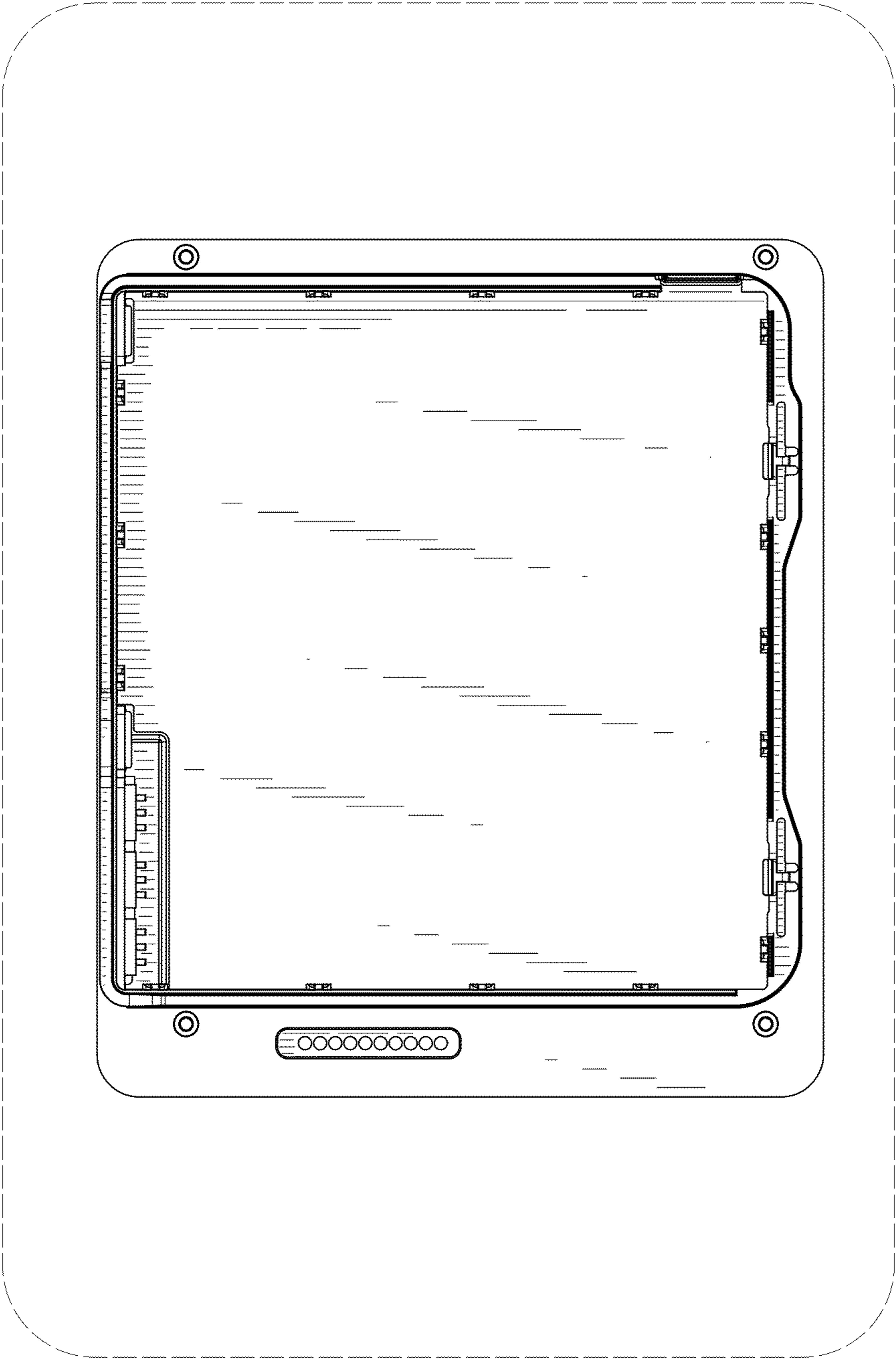


Fig. 3