



US00D717800S

(12) **United States Design Patent**
Akana et al.

(10) **Patent No.:** **US D717,800 S**

(45) **Date of Patent:** **** Nov. 18, 2014**

(54) **HOUSING FOR AN ELECTRONIC DEVICE**

(71) Applicant: **Apple Inc.**, Cupertino, CA (US)

(72) Inventors: **Jody Akana**, San Francisco, CA (US);
Bartley K. Andre, Palo Alto, CA (US);
Jeremy Bataillou, San Francisco, CA (US);
Sean Stewart Corbin, San Jose, CA (US);
Daniel J. Coster, San Francisco, CA (US);
Daniele De Iuliis, San Francisco, CA (US);
M. Evans Hankey, San Francisco, CA (US);
Julian Hoenig, San Francisco, CA (US);
Richard P. Howarth, San Francisco, CA (US);
Jonathan P. Ive, San Francisco, CA (US);
Duncan Robert Kerr, San Francisco, CA (US);
Stephen McClure, San Francisco, CA (US);
Shin Nishibori, Kailua, HI (US);
John Raff, Menlo Park, CA (US);
Matthew Dean Rohrbach, San Francisco, CA (US);
Peter Russell-Clarke, San Francisco, CA (US);
Mikael Silvanto, San Francisco, CA (US);
Christopher J. Stringer, Woodside, CA (US);
Eugene Antony Whang, San Francisco, CA (US);
Derek William Wright, San Francisco, CA (US);
Rico Zörkendörfer, San Francisco, CA (US)

(73) Assignee: **Apple Inc.**, Cupertino, CA (US)

(**) Term: **14 Years**

(21) Appl. No.: **29/434,891**

(22) Filed: **Oct. 17, 2012**

(51) **LOC (10) Cl.** **14-02**

(52) **U.S. Cl.**
USPC **D14/432**

(58) **Field of Classification Search**

USPC D14/432, 433, 439, 445, 446, 300, 348,
D14/302, 341, 441; 361/679.4, 679.45,
361/679.02, 679.31; 174/354, 359
See application file for complete search history.

(56) **References Cited**

U.S. PATENT DOCUMENTS

D306,583 S	3/1990	Krolopp et al.	
D458,252 S	6/2002	Palm et al.	
D461,802 S	8/2002	Tu	
D504,889 S	5/2005	Andre et al.	
D549,231 S *	8/2007	Doyle et al.	D14/432
D556,211 S	11/2007	Howard	
D557,259 S	12/2007	Hirsch	
D580,387 S	11/2008	Andre et al.	
D586,800 S *	2/2009	Andre et al.	D14/341
D602,015 S	10/2009	Andre et al.	

(Continued)

FOREIGN PATENT DOCUMENTS

EM 001332845-0001 6/2012

Primary Examiner — George D Kirschbaum

Assistant Examiner — Kendra L Hamilton

(74) *Attorney, Agent, or Firm* — Sterne, Kessler, Goldstein & Fox P.L.L.C.

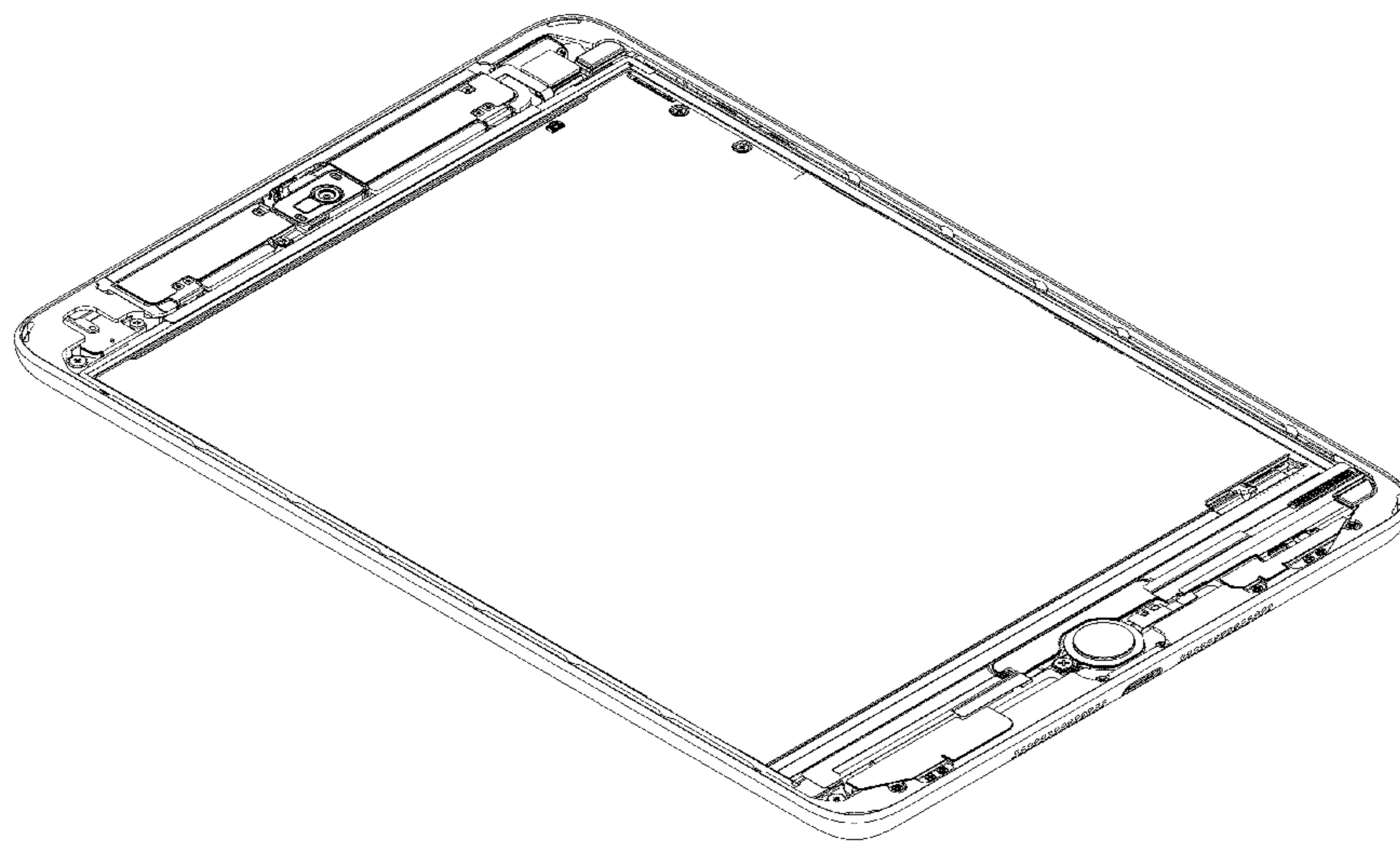
(57) **CLAIM**

The ornamental design for a housing for an electronic device, as shown and described.

DESCRIPTION

FIG. 1 is a bottom front perspective view of a housing for an electronic device showing our new design;
FIG. 2 is a front view thereof;
FIG. 3 is a rear view thereof;
FIG. 4 is a left side view thereof;
FIG. 5 is a right side view thereof;
FIG. 6 is a top view thereof; and,
FIG. 7 is a bottom view thereof.

1 Claim, 5 Drawing Sheets



(56)

References Cited

U.S. PATENT DOCUMENTS

D602,486 S	10/2009	Andre et al.	D664,540 S	7/2012	Kim et al.
D602,488 S	10/2009	Jiang et al.	D669,077 S	10/2012	McManigal et al.
7,660,560 B2 *	2/2010	Zuo et al. 455/90.3	D670,692 S	11/2012	Akana et al.
D623,184 S	9/2010	Green et al.	D671,947 S	12/2012	Akana et al.
D625,307 S	10/2010	Cheng	D676,819 S	2/2013	Choi
D627,777 S	11/2010	Akana et al.	D676,824 S	2/2013	Lee
D630,624 S *	1/2011	Corley et al. D14/248	D677,255 S	3/2013	McManigal et al.
D636,770 S	4/2011	Li	D677,644 S	3/2013	Park
D638,814 S	5/2011	Sutherland et al.	D677,658 S	3/2013	Akana et al.
D639,261 S	6/2011	Garnham et al.	D677,659 S	3/2013	Akana et al.
D640,219 S	6/2011	Sutherland et al.	8,599,574 B2 *	12/2013	Peng et al. 361/816
D640,663 S	6/2011	Arnholt et al.	D697,918 S *	1/2014	Akana et al. D14/439
D642,563 S	8/2011	Akana et al.	D699,717 S *	2/2014	Akana et al. D14/250
D645,833 S	9/2011	Seflic et al.	D704,190 S *	5/2014	Sugino et al. D14/432
D647,882 S	11/2011	Kim et al.	D708,186 S *	7/2014	Akana et al. D14/439
D649,968 S	12/2011	Li	2004/0070962 A1 *	4/2004	Schremmer 361/816
D650,381 S	12/2011	Park et al.	2009/0256759 A1 *	10/2009	Hill et al. 343/702
D654,497 S	2/2012	Lee	2010/0061055 A1 *	3/2010	Dabov et al. 361/679.56
D656,136 S	3/2012	Lee	2010/0289390 A1	11/2010	Kenney
D662,100 S	6/2012	Van Den Nieuwenhuizen et al.	2011/0151945 A1 *	6/2011	Jiang et al. 455/575.1
D663,287 S	7/2012	Kim et al.	2011/0164365 A1	7/2011	McClure et al.
D663,298 S	7/2012	Song et al.	2011/0166690 A1	7/2011	Ternus et al.
			2011/0299231 A1	12/2011	Gaddis, II et al.
			2012/0044123 A1	2/2012	Rothkopf et al.

* cited by examiner

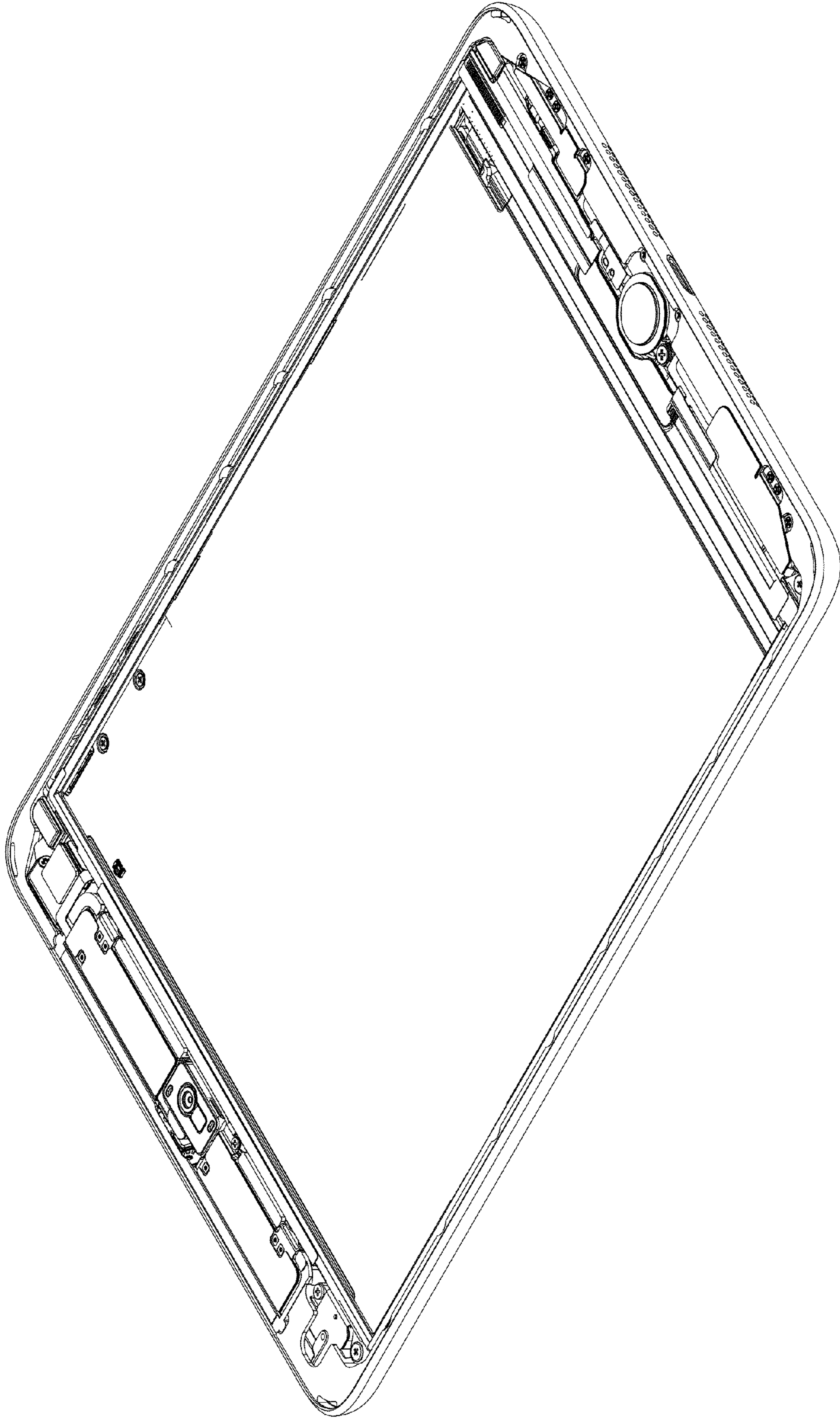


FIG.1

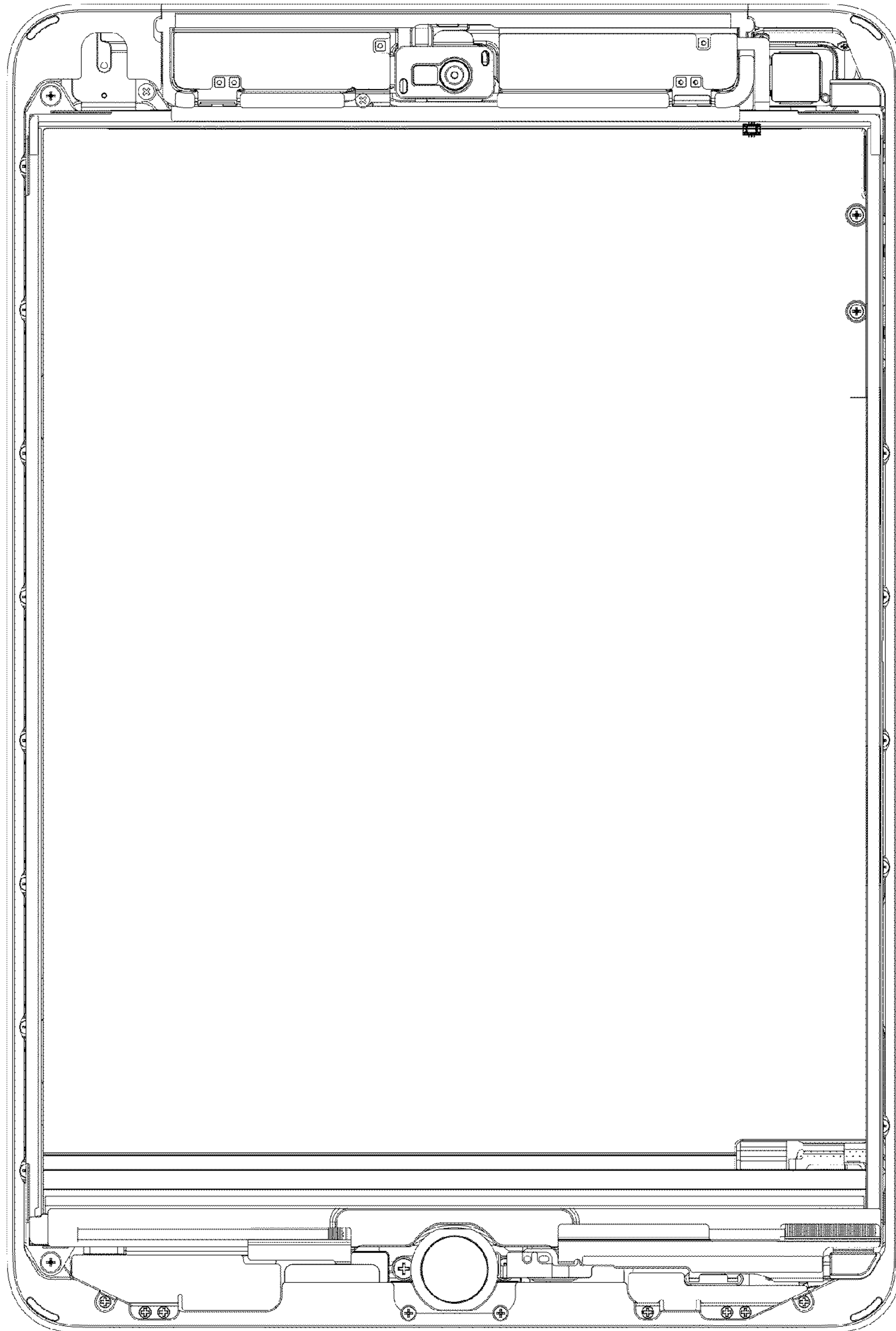


FIG. 2

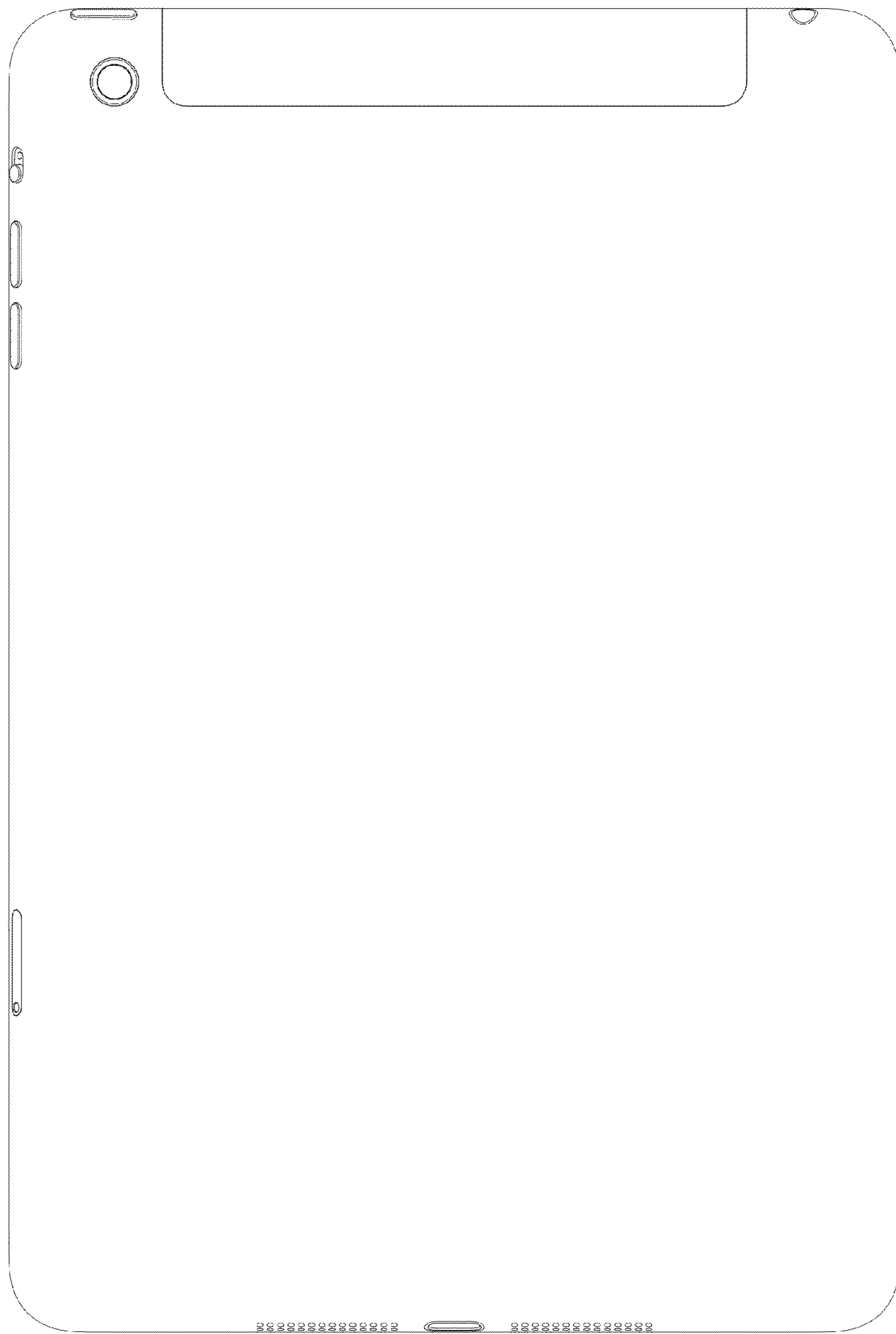


FIG. 3



FIG. 4

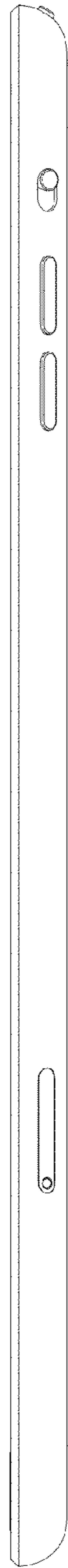


FIG. 5



FIG. 6

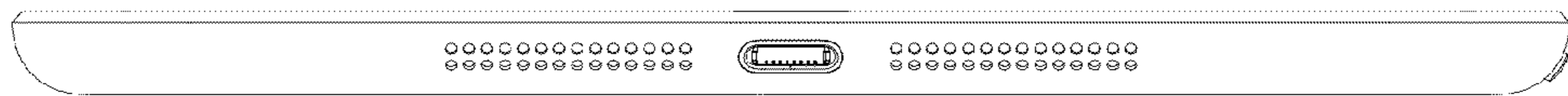


FIG. 7