



US00D717796S

(12) **United States Design Patent**
Olsson

(10) **Patent No.:** **US D717,796 S**

(45) **Date of Patent:** **** Nov. 18, 2014**

(54) **WEARABLE DISPLAY DEVICE**

- (71) Applicant: **Google Inc.**, Mountain View, CA (US)
- (72) Inventor: **Maj Isabelle Olsson**, San Francisco, CA (US)
- (73) Assignee: **Google Inc.**, Mountain View, CA (US)
- (**) Term: **14 Years**
- (21) Appl. No.: **29/477,695**
- (22) Filed: **Dec. 26, 2013**

Related U.S. Application Data

- (60) Continuation of application No. 29/461,176, filed on Jul. 19, 2013, now Pat. No. Des. 697,962, which is a continuation of application No. 29/421,851, filed on Oct. 4, 2012, now Pat. No. Des. 688,727, which is a continuation of application No. 29/422,071, filed on May 16, 2012, now Pat. No. Des. 671,589, which is a division of application No. 29/404,646, filed on Oct. 24, 2011, now Pat. No. Des. 664,586.
- (51) **LOC (10) Cl.** **14-02**
- (52) **U.S. Cl.**
USPC **D14/372**
- (58) **Field of Classification Search**
CPC G02B 27/017; G02B 27/0158; G02B 27/0161; G02B 27/0181; G02B 27/0185; G02B 27/0189
USPC D14/372, 496, 432, 371, 125, 126, 129, D14/299; D16/300-342; 351/158, 153, 144; 345/7-9, 905; 455/344; 348/115, 53, 348/121, 739

See application file for complete search history.

(56) **References Cited**

U.S. PATENT DOCUMENTS

1,819,738 A	8/1931	Daniels
3,944,344 A	3/1976	Wichers
D327,079 S	6/1992	Allen
D334,557 S	4/1993	Hunter et al.
D337,320 S	7/1993	Hunter et al.
D354,974 S	1/1995	Wielhouwer

(Continued)

Primary Examiner — Austin Murphy

(74) *Attorney, Agent, or Firm* — Lerner, David, Littenberg, Krumholz & Mentlik, LLP

(57) **CLAIM**

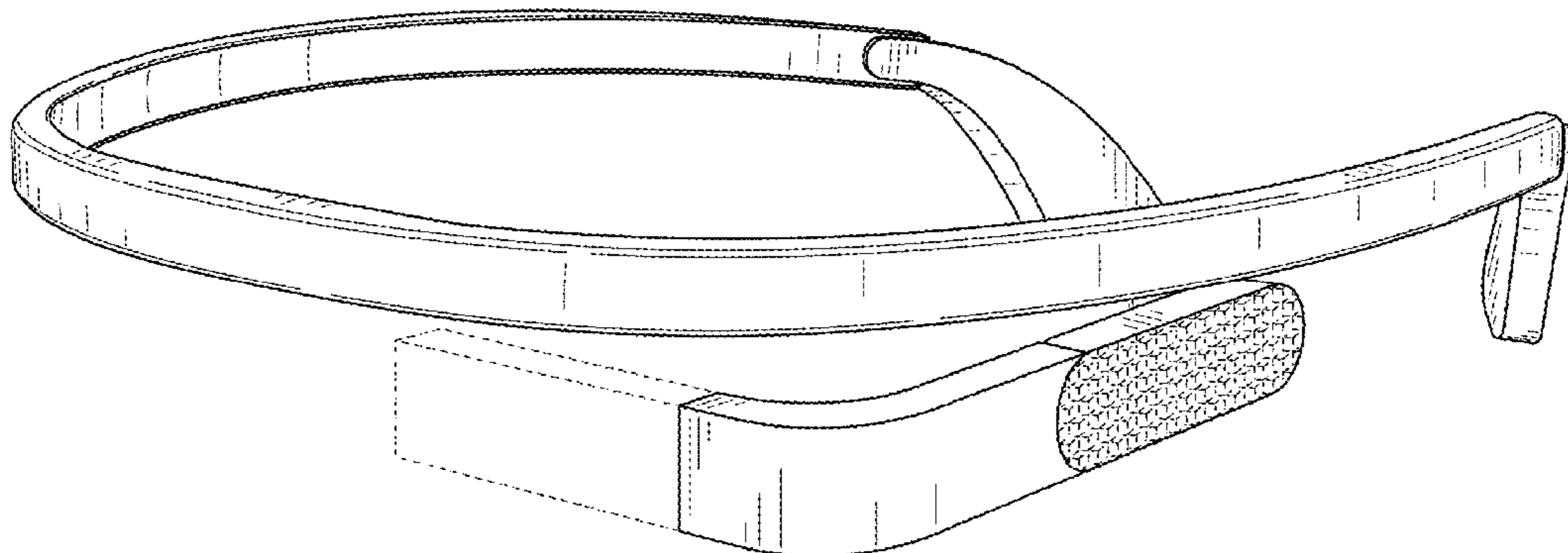
The ornamental design for a wearable display device, as shown and described.

DESCRIPTION

FIG. 1 is a front perspective view of a wearable display device according to a first embodiment of our design; FIG. 2 is a front elevation view of the wearable display device of FIG. 1; FIG. 3 is a back elevation view of the wearable display device of FIG. 1; FIG. 4 is a right elevation view of the wearable display device of FIG. 1; FIG. 5 is a left elevation view of the wearable display device of FIG. 1; FIG. 6 is a top elevation view of the wearable display device of FIG. 1; FIG. 7 is a bottom elevation view of the wearable display device of FIG. 1; FIG. 8 is a front perspective view of a wearable display device according to a second embodiment of our design; and, FIG. 9 is a front elevation view of the wearable display device of FIG. 8, of which back, right, left, top, and bottom elevation views are substantially identical to the respective views shown in FIGS. 3-7.

Broken lines are environmental only and form no part of the claimed design.
Dash-dot lines represent bounds of associated portions of the claimed design and form no part of the claimed design.

1 Claim, 6 Drawing Sheets



(56)

References Cited

U.S. PATENT DOCUMENTS

D402,651 S	12/1998	Depay et al.	
D428,620 S	7/2000	Maturaporn	
D432,556 S	10/2000	Lando	
D436,960 S	1/2001	Budd et al.	
D512,985 S	12/2005	Travers et al.	
D533,893 S	12/2006	Canavan et al.	
D559,250 S	1/2008	Pombo et al.	
D565,082 S	3/2008	McClure et al.	
D578,120 S	10/2008	Lowe et al.	
D590,009 S	4/2009	Lane et al.	
D590,434 S	4/2009	Lane et al.	
D602,064 S	10/2009	Mitsui et al.	
7,631,968 B1	12/2009	Dobson et al.	
D630,669 S	1/2011	Suzuki et al.	
D647,123 S	10/2011	Cho	
8,029,132 B1	10/2011	Park	
D649,177 S	11/2011	Cho et al.	
D659,741 S *	5/2012	Heinrich et al. D16/309
D662,964 S	7/2012	Olsson et al.	
D664,184 S *	7/2012	Olsson et al. D16/309
D664,185 S *	7/2012	Heinrich et al. D16/309
D664,586 S *	7/2012	Olsson D16/300
D666,287 S	8/2012	Quinlan	
D669,066 S *	10/2012	Olsson et al. D14/309
D671,589 S	11/2012	Olsson	
D680,152 S *	4/2013	Olsson et al. D16/309
D684,622 S *	6/2013	Cho D16/309
D685,018 S	6/2013	Cho	
8,467,133 B2 *	6/2013	Miller 359/630
D688,727 S *	8/2013	Olsson D16/300
D697,962 S *	1/2014	Olsson D16/300
D701,506 S *	3/2014	Pombo D14/372
D703,724 S *	4/2014	Olsson D16/300
D704,247 S *	5/2014	Olsson et al. D16/300
D704,706 S *	5/2014	Serota D14/372
D708,181 S *	7/2014	Olsson et al. D14/372
D708,252 S *	7/2014	Olsson et al. D16/332
2002/0021407 A1 *	2/2002	Elliott 351/158
2005/0270478 A1 *	12/2005	Curci et al. 351/109
2006/0129207 A1 *	6/2006	Fried et al. 607/54

* cited by examiner

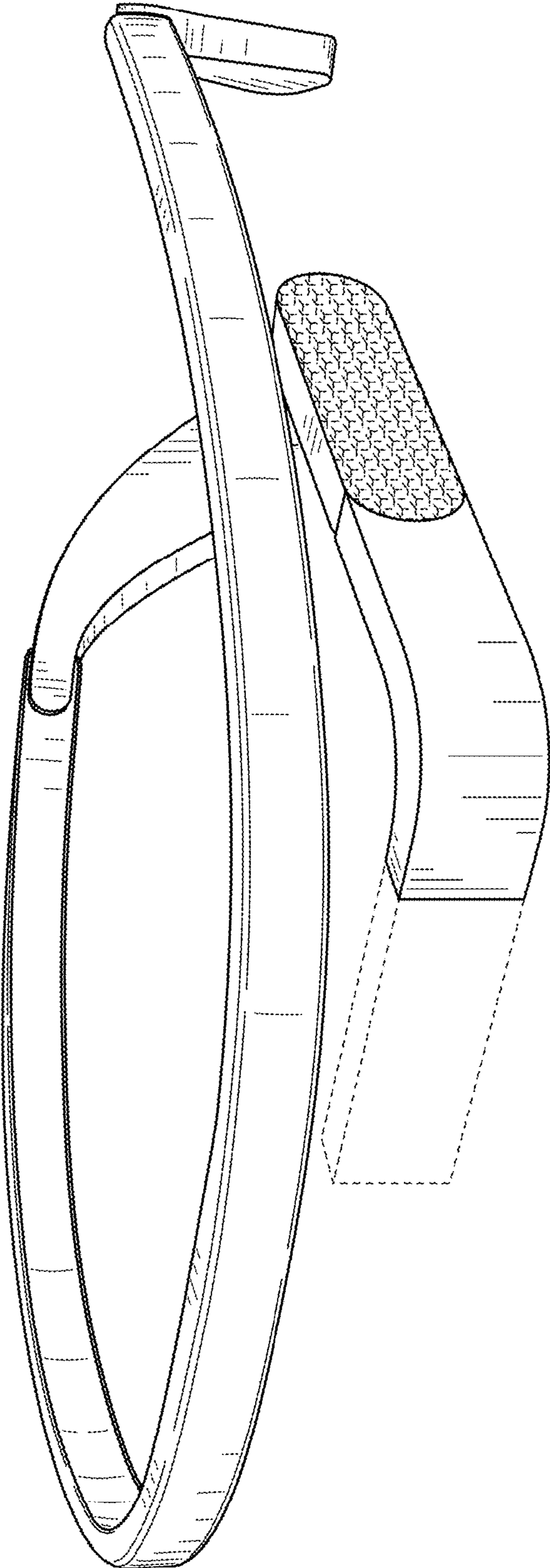


FIG. 1

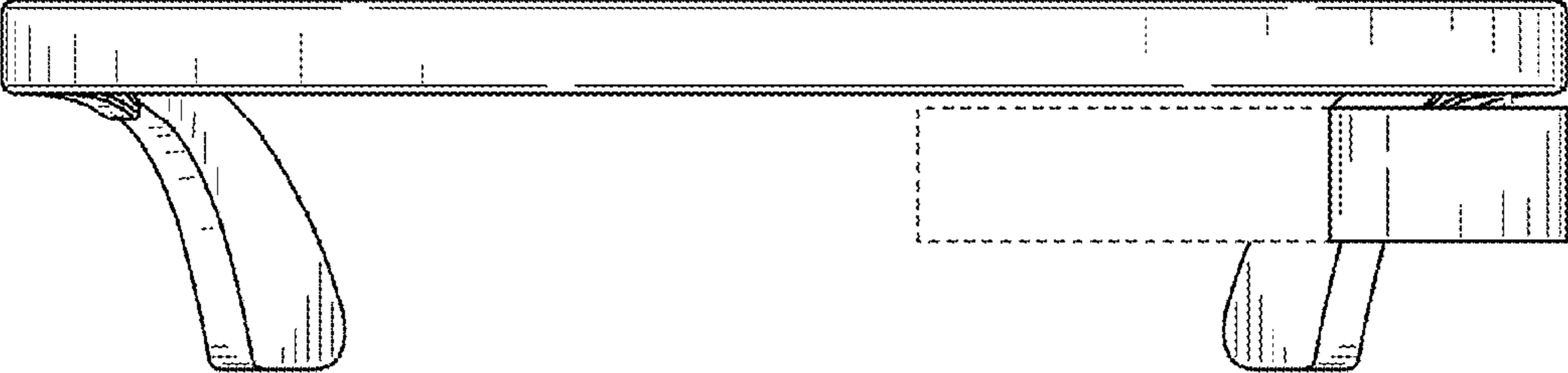


FIG. 2

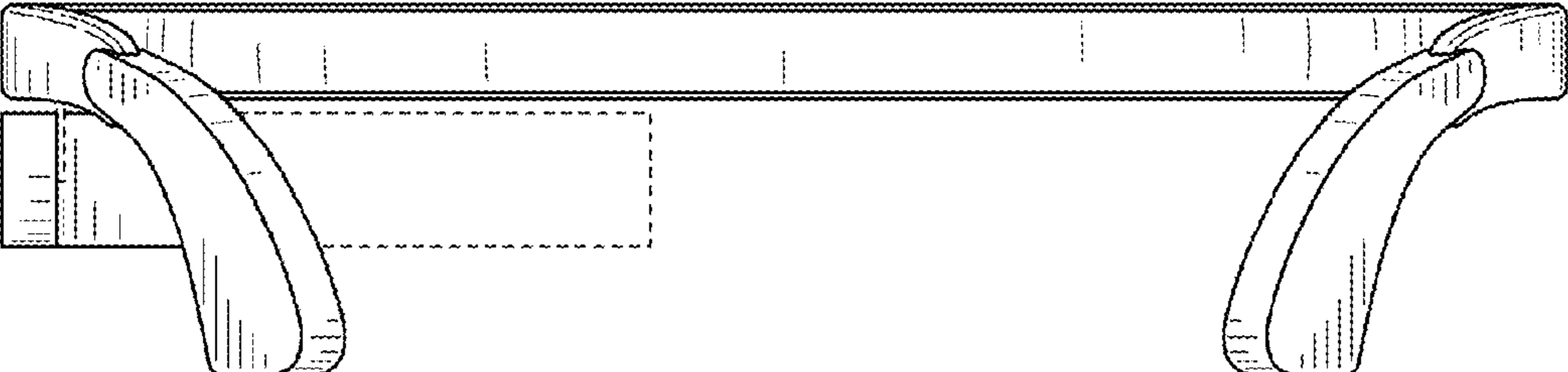


FIG. 3

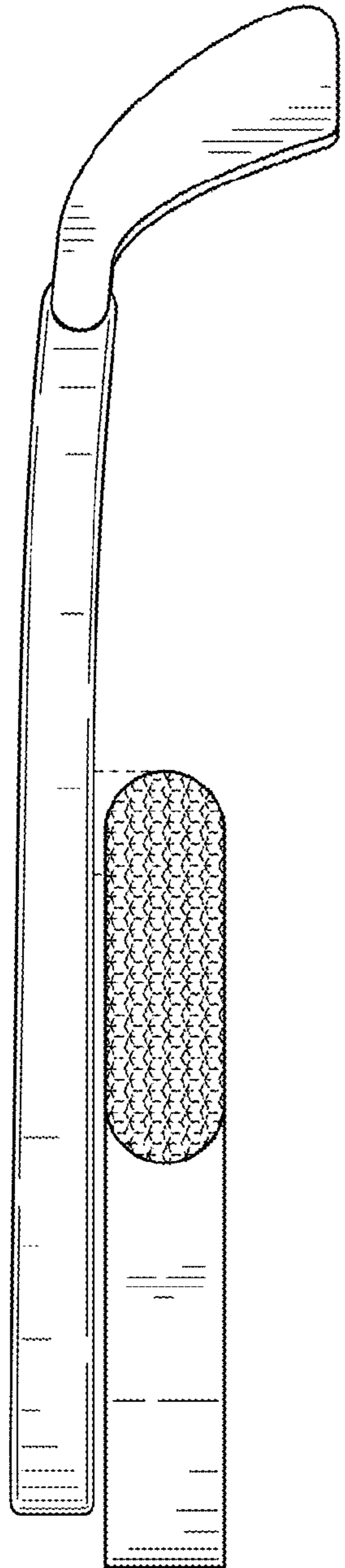


FIG. 4

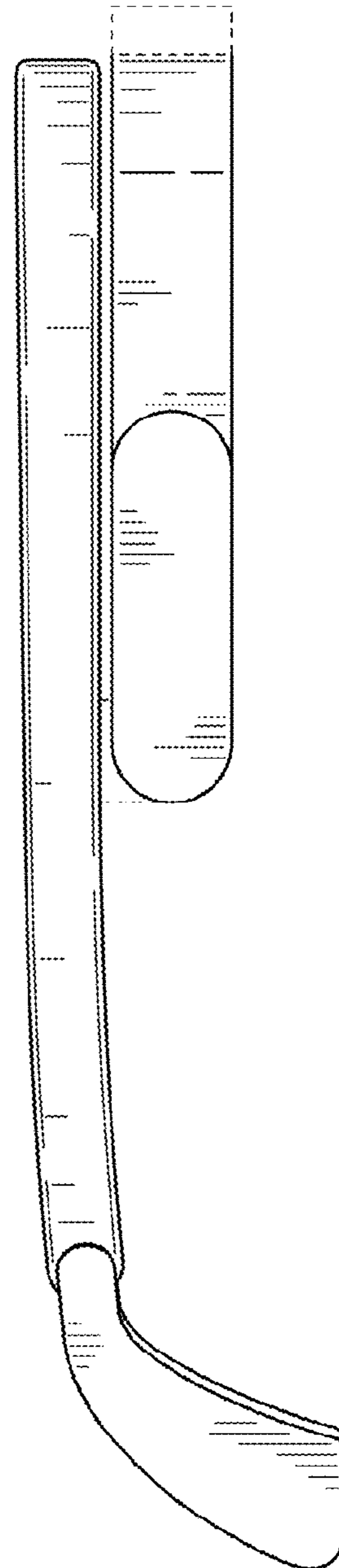


FIG. 5

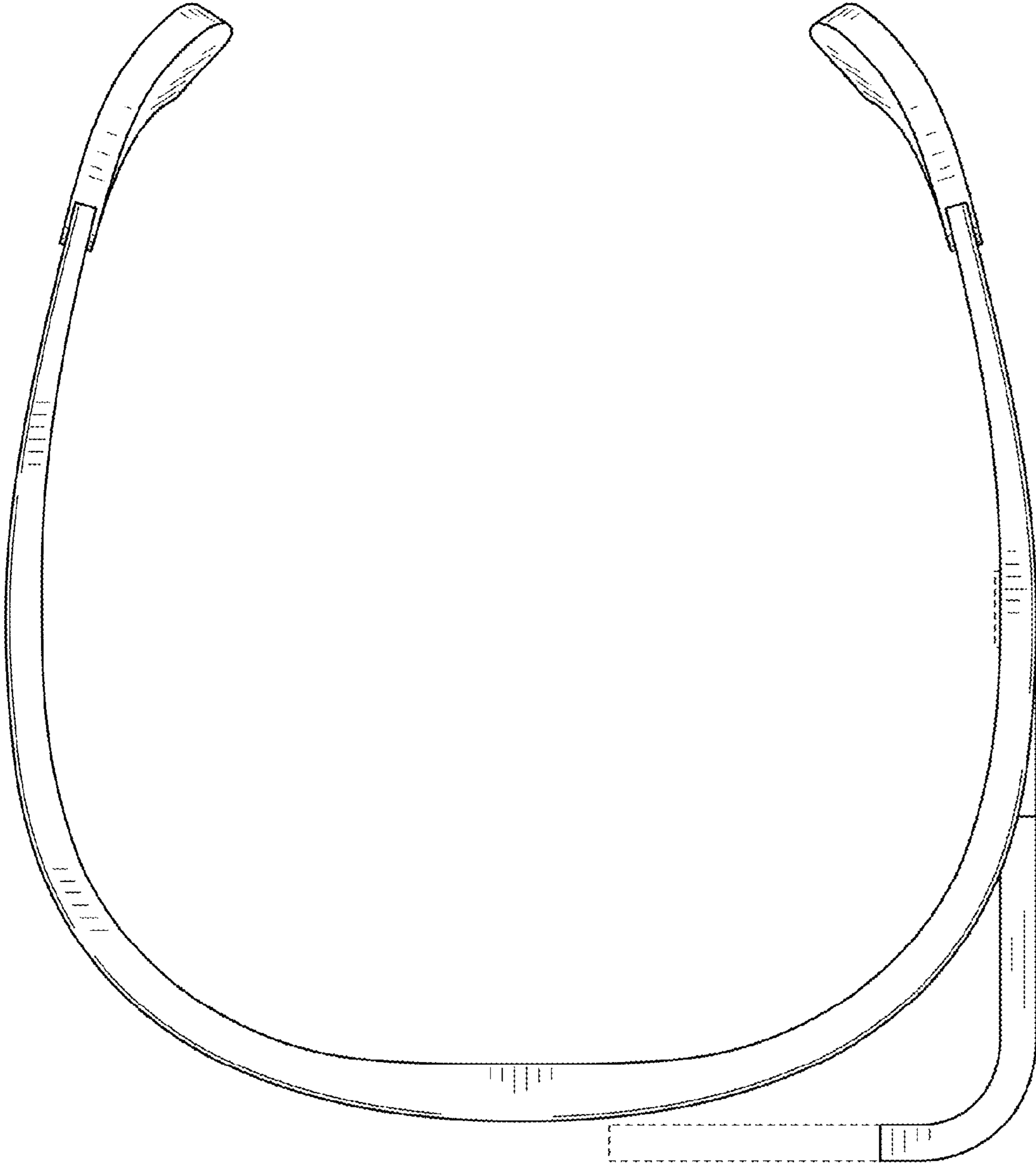


FIG. 6

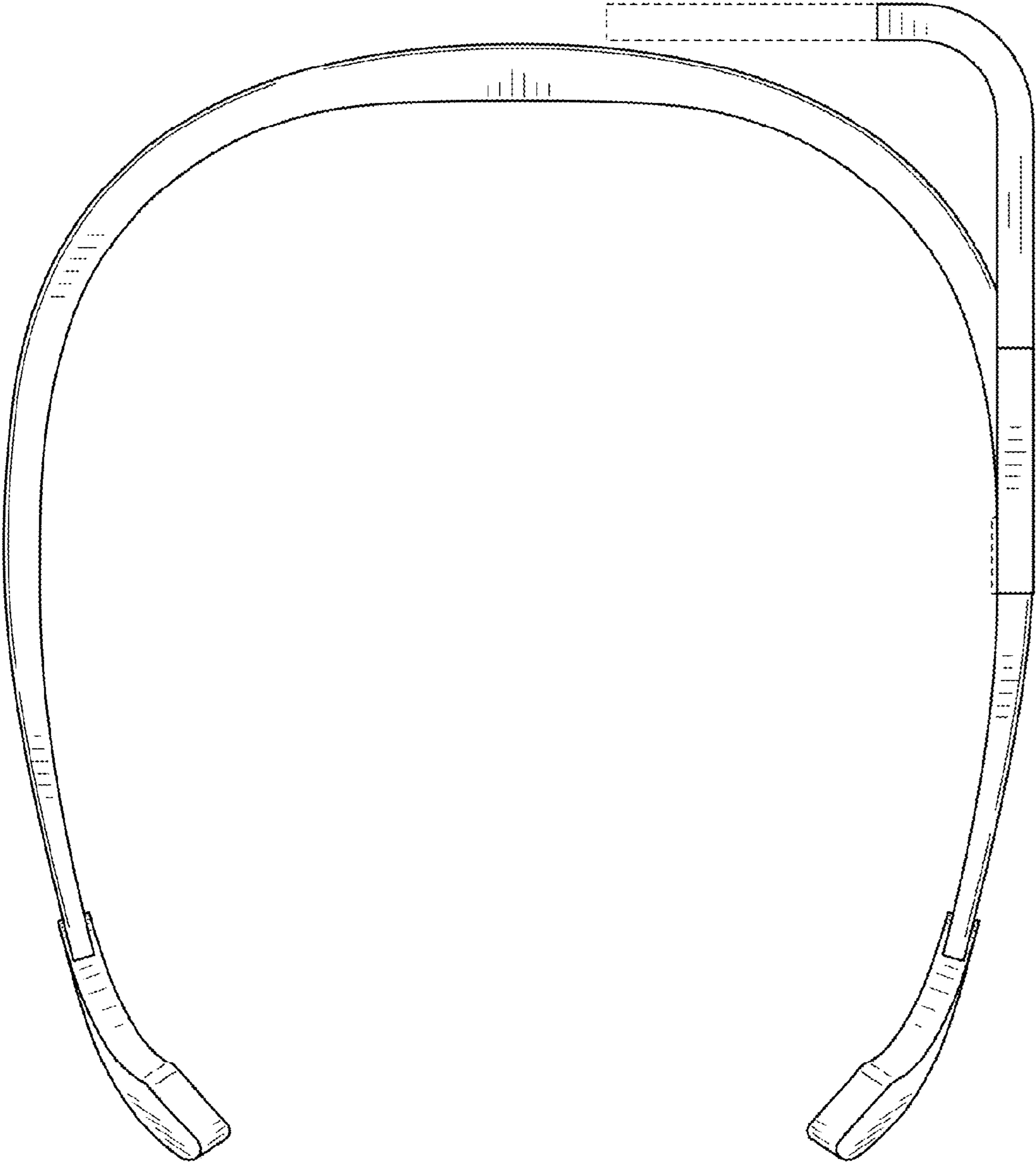


FIG. 7

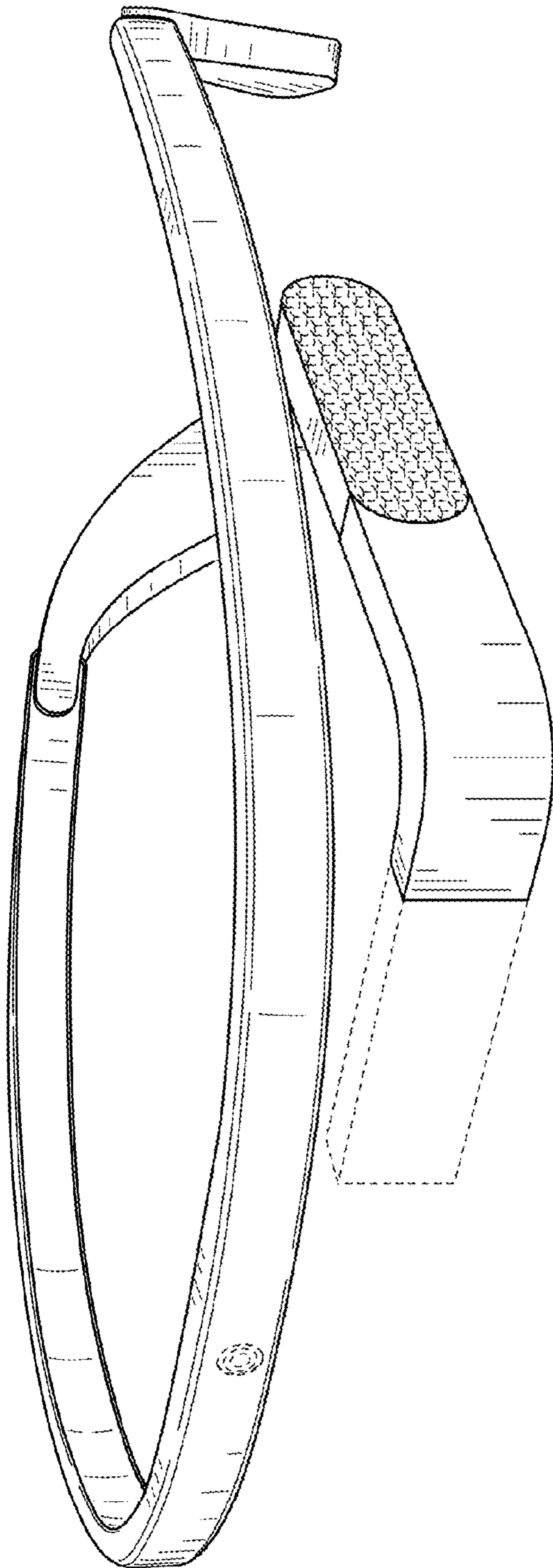


FIG. 8

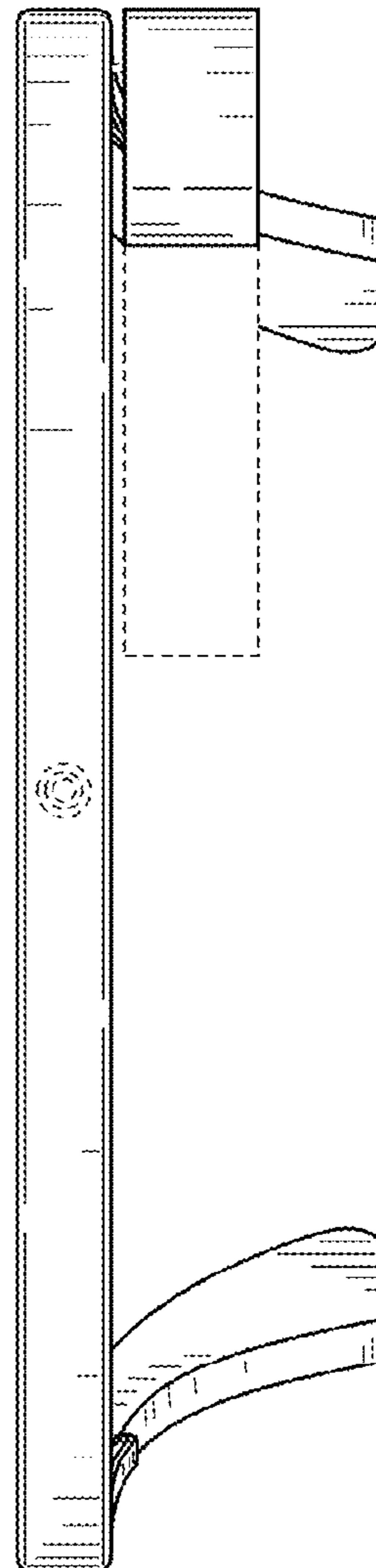


FIG. 9