



US00D717784S

(12) **United States Design Patent**
Collins et al.

(10) **Patent No.:** **US D717,784 S**
(45) **Date of Patent:** **** Nov. 18, 2014**

(54) **KIOSK HOUSING**

(71) Applicant: **Stayhealthy, Inc.**, Monrovia, CA (US)

(72) Inventors: **John R. Collins**, Monrovia, CA (US);
Jeffrey D. Flammer, Scottsdale, AZ (US)

(73) Assignee: **HIGH SH LLC**, Chicago, IL (US)

(**) Term: **14 Years**

(21) Appl. No.: **29/491,470**

(22) Filed: **May 21, 2014**

(51) **LOC (10) Cl.** **14-02**

(52) **U.S. Cl.**
USPC **D14/307**

(58) **Field of Classification Search**
CPC G06Q 20/18; G06Q 20/10; G06Q 20/123;
G06Q 20/20; G06Q 30/02; G06Q 30/06;
A47F 9/047
USPC D14/302-307, 900-902; D13/163;
D20/10; D21/332, 325, 369, 370;
D99/28; D6/397, 466; 194/206;
361/679.01, 679.02, 679.04, 679.21,
361/679.57, 725

See application file for complete search history.

(56) **References Cited**

U.S. PATENT DOCUMENTS

D552,875 S * 10/2007 Collins et al. D6/396
D579,686 S * 11/2008 Collins et al. D6/396

D605,191 S * 12/2009 Kuroda et al. D14/307
D628,742 S * 12/2010 Hsu D28/9
D661,293 S * 6/2012 Kuroda et al. D14/307
D675,607 S * 2/2013 Ono D14/307
D676,038 S * 2/2013 Masuda et al. D14/307
D695,285 S * 12/2013 Smith et al. D14/307
D696,658 S * 12/2013 Winston et al. D14/307
D699,238 S * 2/2014 Smith et al. D14/307
D702,676 S * 4/2014 Smith et al. D14/307
D705,213 S * 5/2014 Smith et al. D14/307
D707,674 S * 6/2014 Daniel D14/307

* cited by examiner

Primary Examiner — Austin Murphy

(74) *Attorney, Agent, or Firm* — Wood, Phillips, Katz, Clark & Mortimer

(57) **CLAIM**

The ornamental design for a kiosk housing, substantially as shown and described.

DESCRIPTION

FIG. 1 is a front, left side and top perspective view of a kiosk housing showing my new design;
FIG. 2 is a front elevation view thereof;
FIG. 3 is a rear elevation view thereof;
FIG. 4 is a left side elevation view thereof;
FIG. 5 is a right side elevation view thereof;
FIG. 6 is a plan view thereof; and,
FIG. 7 is a bottom view thereof.

The portions of the kiosk housing shown in dotted lines do not constitute a part of the claimed design.

1 Claim, 4 Drawing Sheets

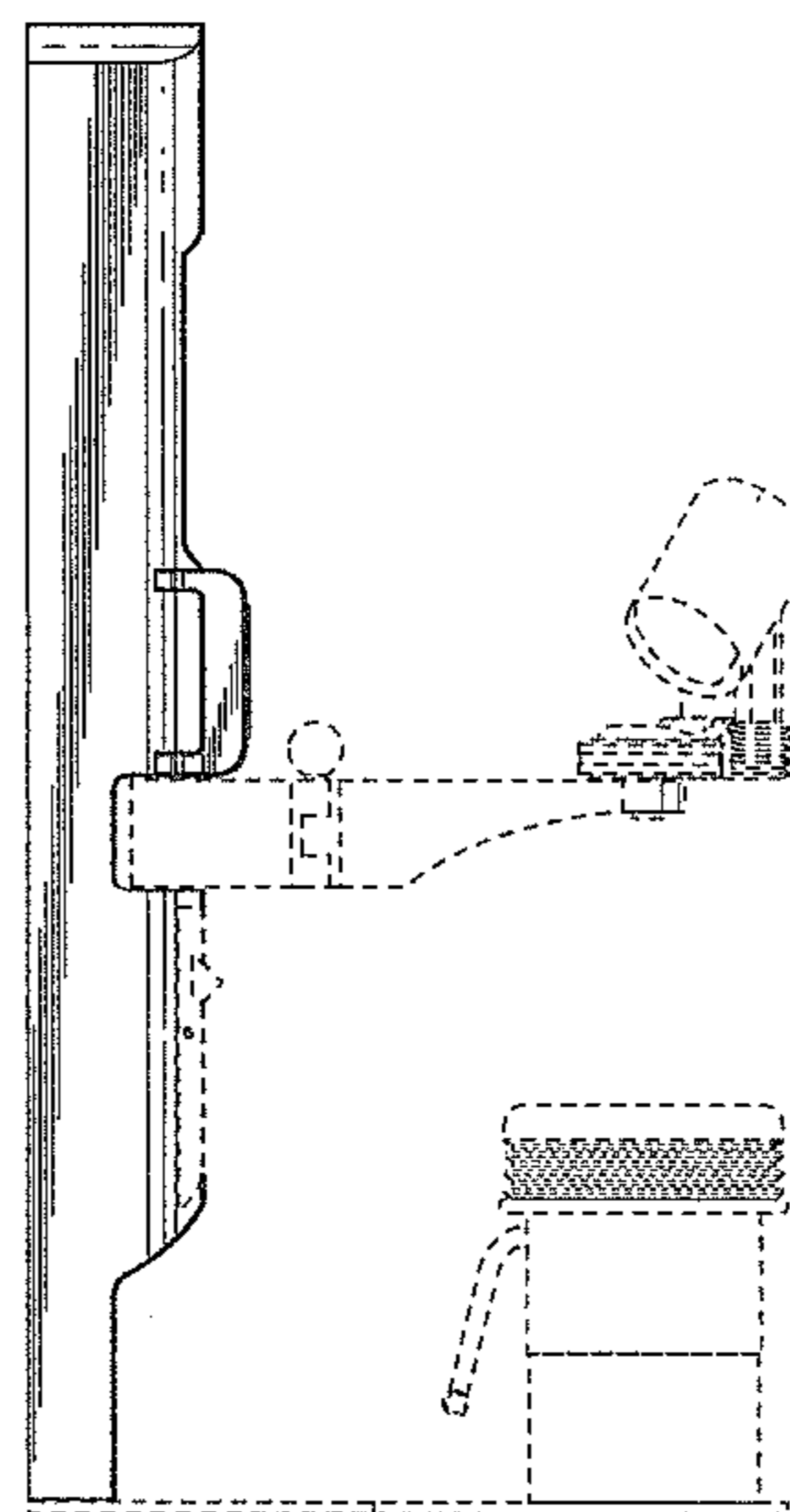
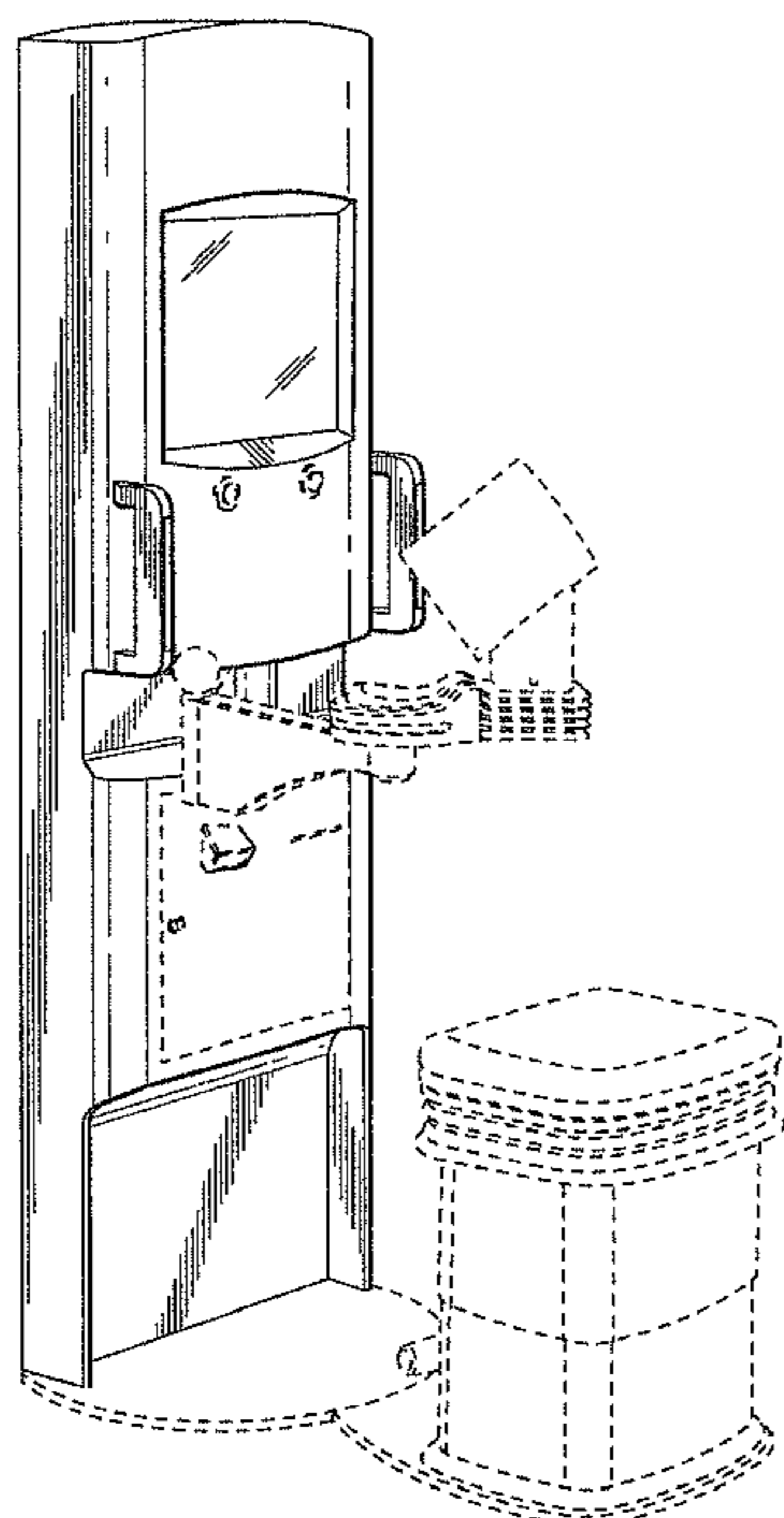


Fig. 1

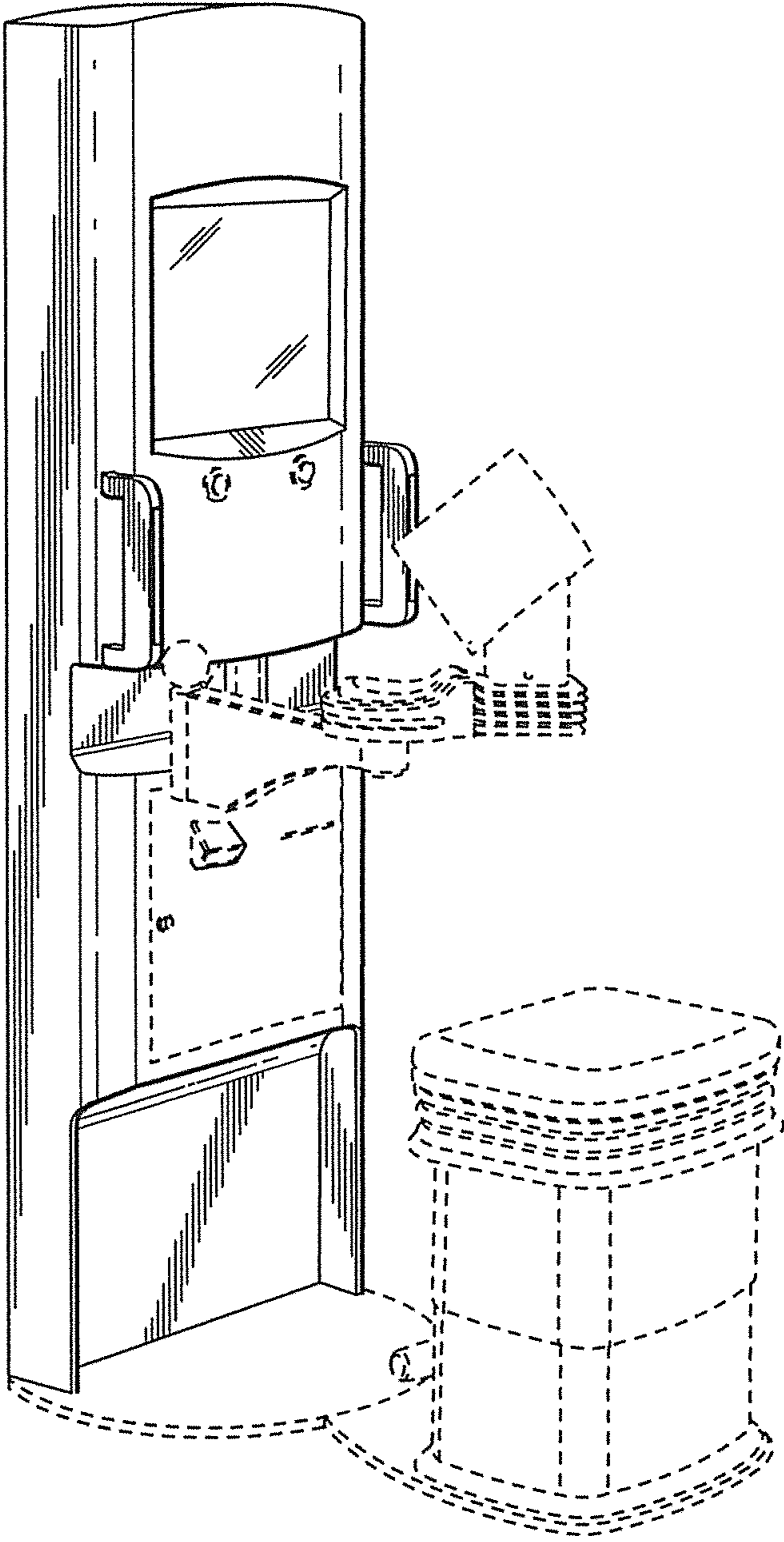


Fig. 2

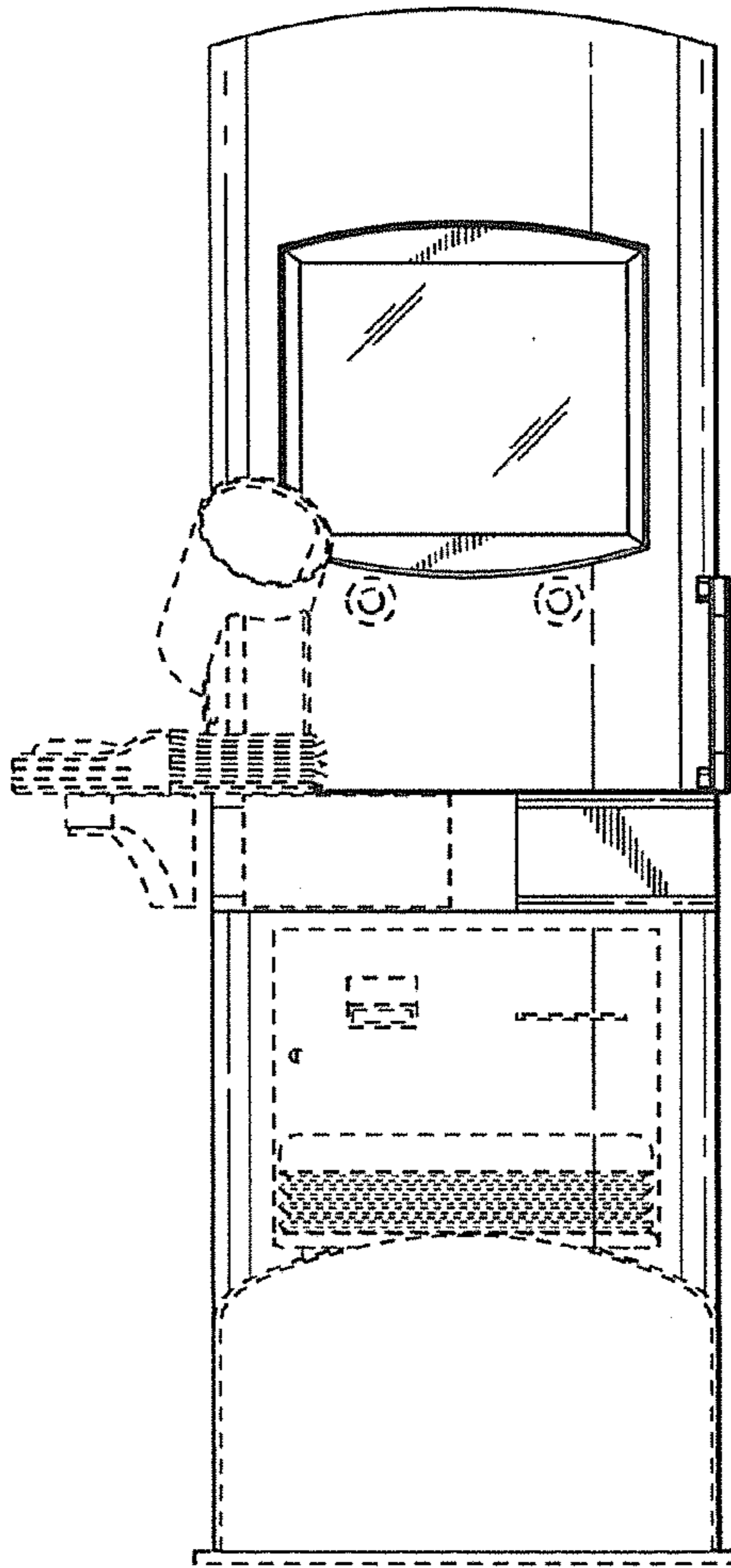
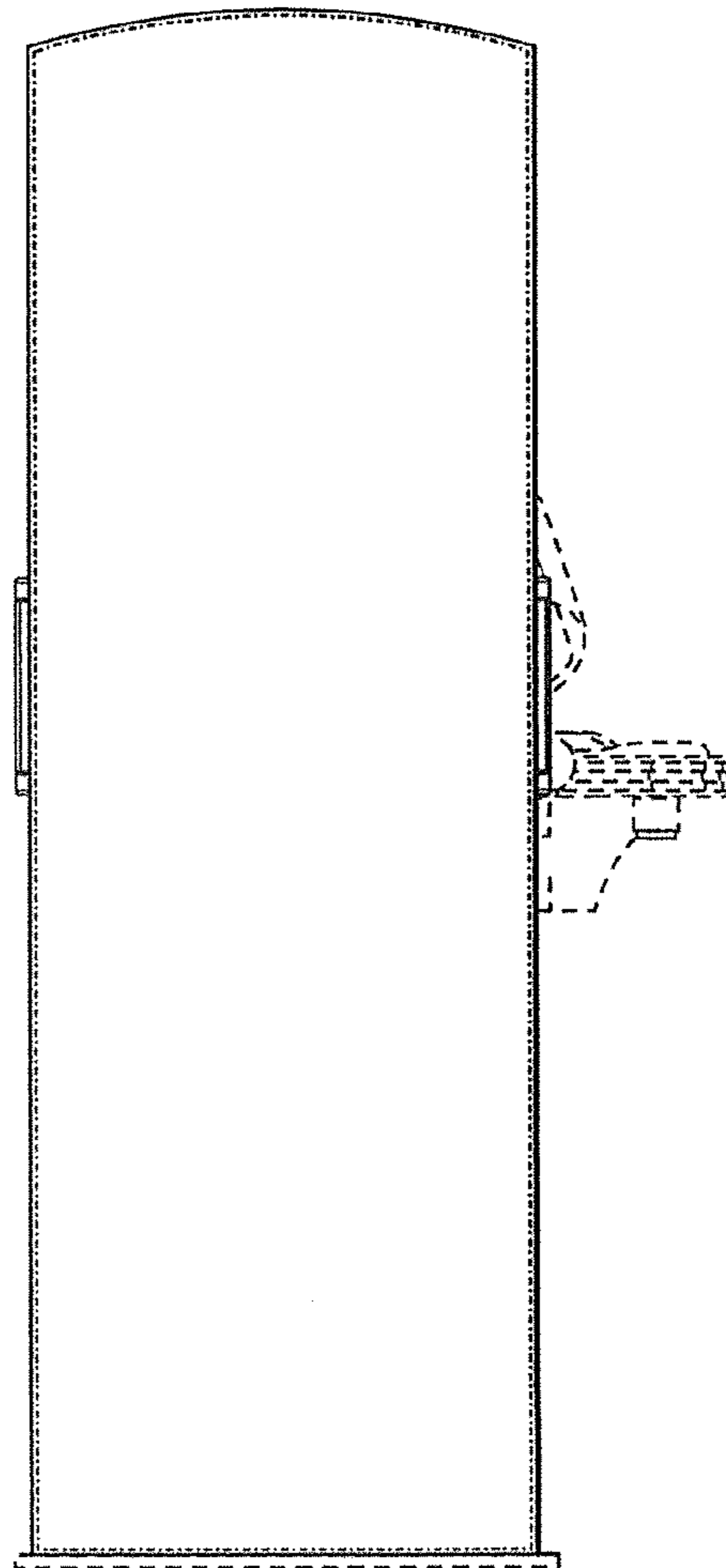


Fig. 3



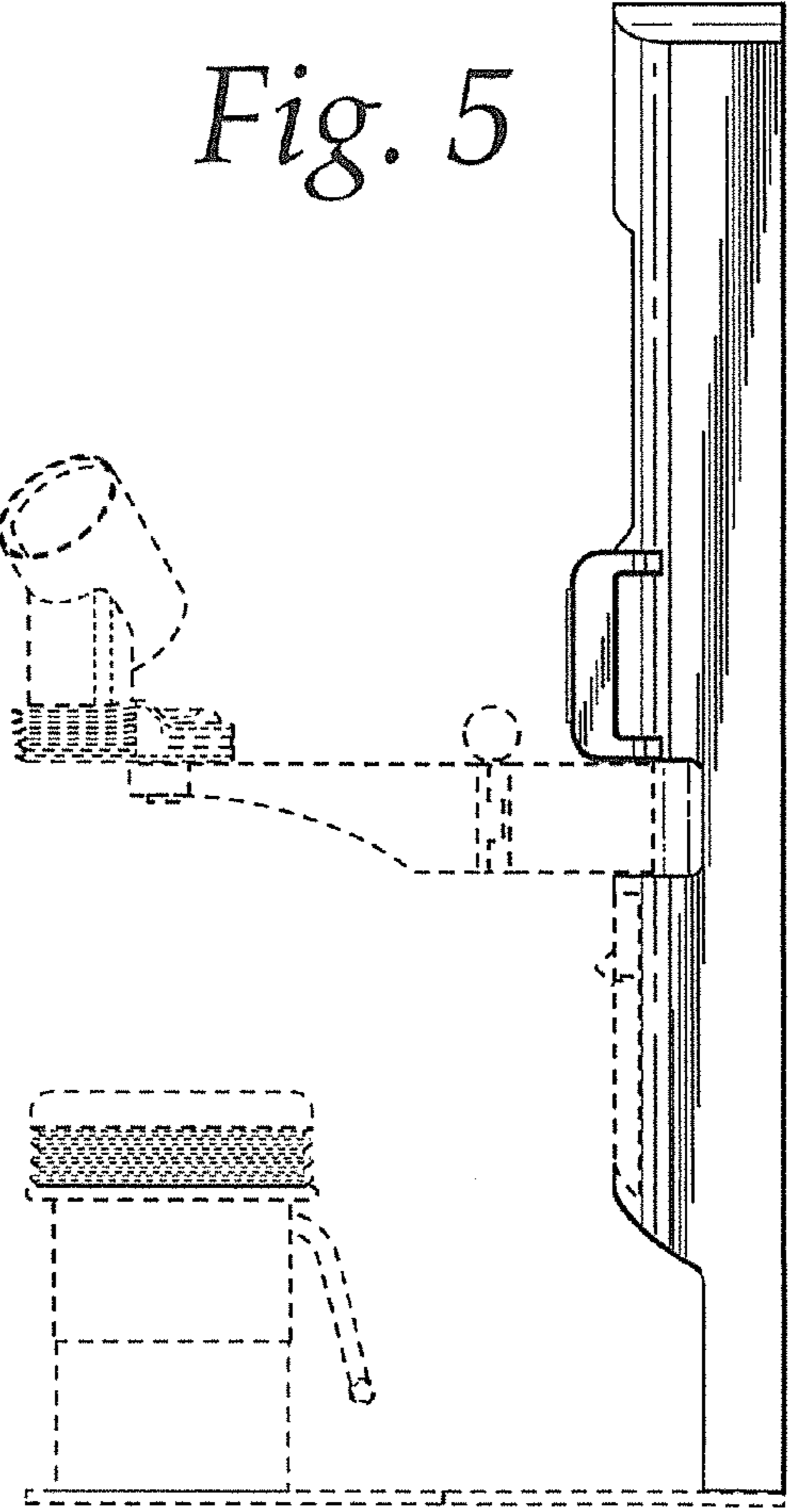
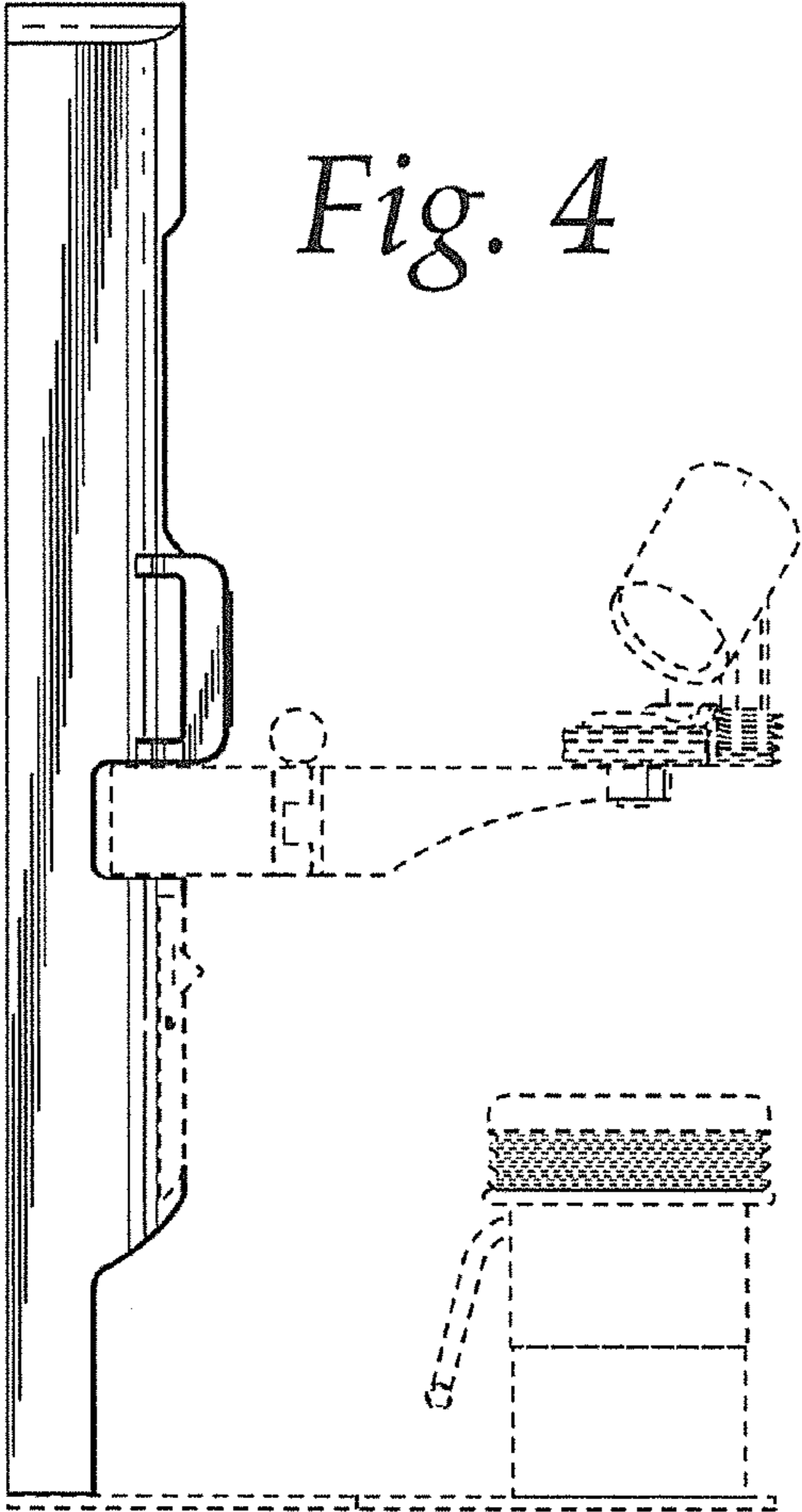


Fig. 6

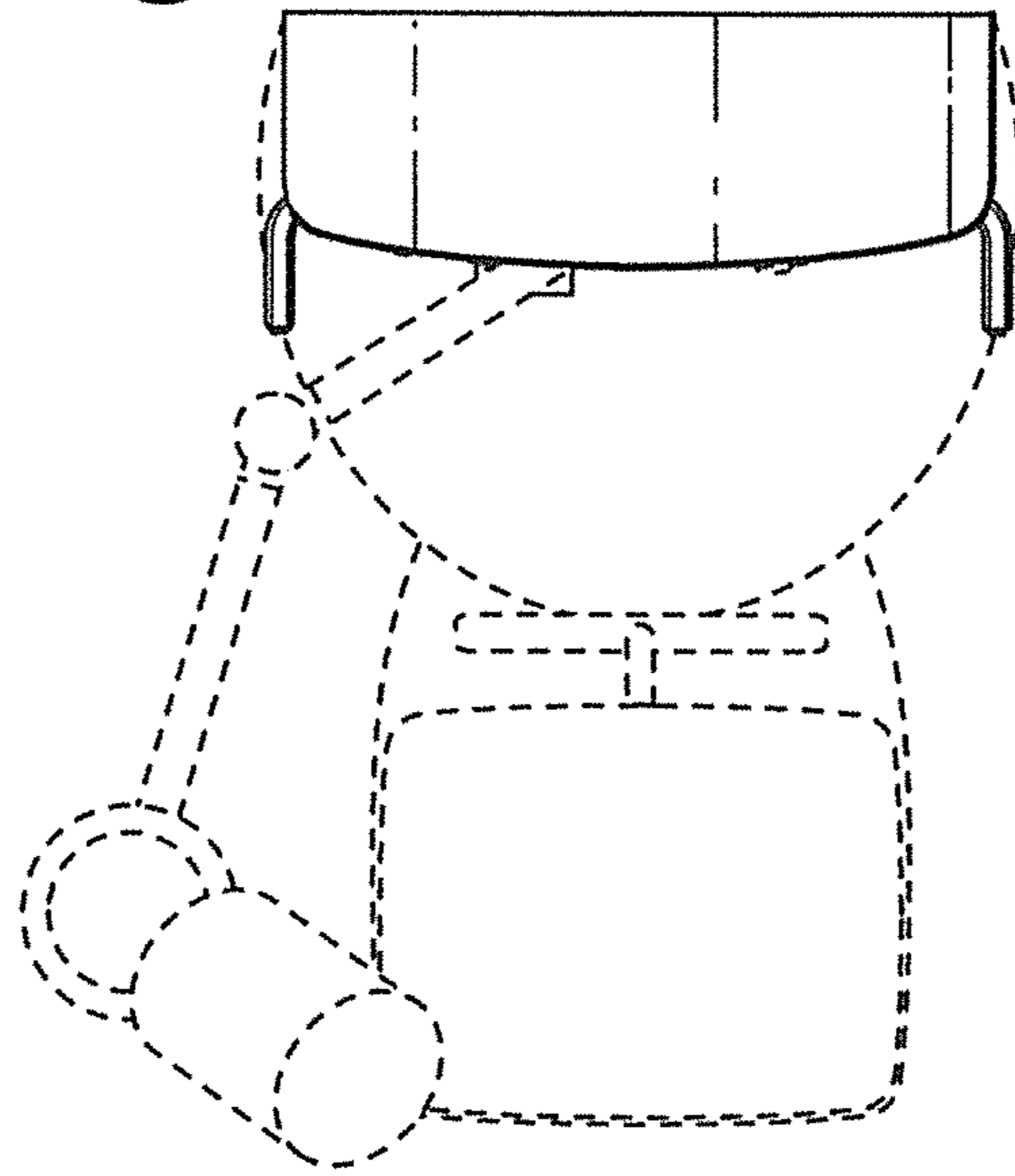


Fig. 7

