



US00D717783S

(12) **United States Design Patent**
Gelsomini et al.

(10) **Patent No.:** **US D717,783 S**

(45) **Date of Patent:** **** Nov. 18, 2014**

(54) **CRADLE FOR COMMUNICATIONS DEVICE**

(71) Applicant: **Dundee Precious Metals Inc.**, Toronto (CA)

(72) Inventors: **Mark Gelsomini**, Richmond Hill (CA);
Richard Coulson, Markham (CA)

(73) Assignee: **Dundee Precious Metals Inc.**, Toronto (CA)

(**) Term: **14 Years**

(21) Appl. No.: **29/437,972**

(22) Filed: **Nov. 22, 2012**

(30) **Foreign Application Priority Data**

May 23, 2012 (CA) 145748

(51) **LOC (10) Cl.** **14-03**

(52) **U.S. Cl.**
USPC **D14/253**

(58) **Field of Classification Search**
USPC D14/137, 140, 140.8, 142, 204, 209.1,
D14/217, 221, 243-256, 434, 440, 444-447,
D14/238.1; D8/400-404, 499; D2/861;
D3/215, 218, 304, 269; D6/467, 300,
D6/310, 553-574; D25/318; 292/342, 343;
248/188.2; 348/373, 376; D12/415,
D12/411; D19/87, 90; 455/573, 575.1,
455/575.9

See application file for complete search history.

(56) **References Cited**

U.S. PATENT DOCUMENTS

D536,334 S * 2/2007 Park et al. D14/243
D553,611 S * 10/2007 Gan D14/214

(Continued)

Primary Examiner — Susan Bennett Hattan

Assistant Examiner — Janice Hallmark

(74) *Attorney, Agent, or Firm* — Gowling Lafleur
Henderson LLP

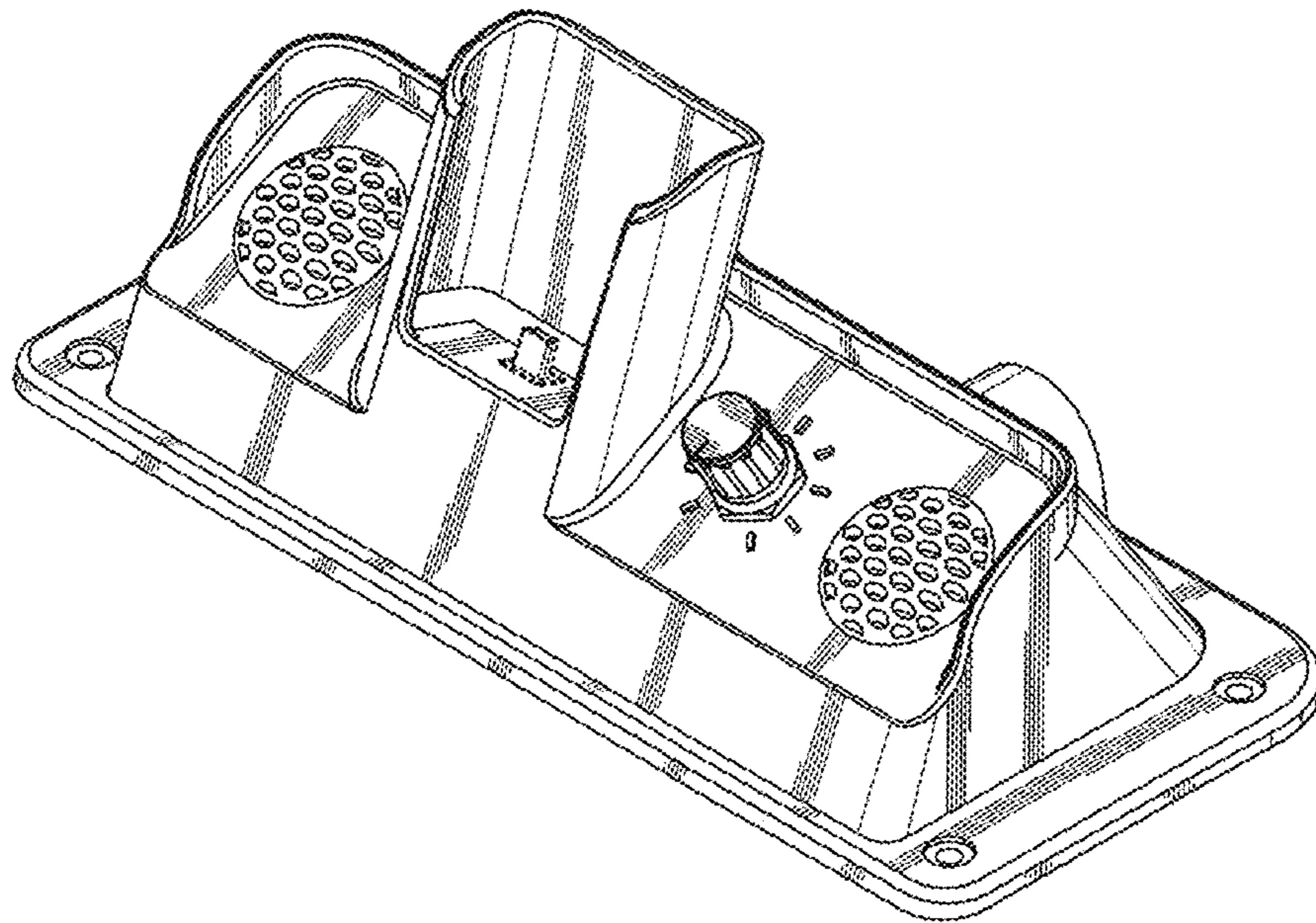
(57) **CLAIM**

The ornamental design for a cradle for communications device, as shown and described.

DESCRIPTION

FIG. 1 is an isometric front view of a cradle for communications device showing the new design;
FIG. 2 is a front view of the design of FIG. 1;
FIG. 3 is a right side view of the design of FIG. 1;
FIG. 4 is a left side view of the design of FIG. 1;
FIG. 5 is a top view of the design of FIG. 1;
FIG. 6 is a bottom view of the design of FIG. 1;
FIG. 7 is a back view of the design of FIG. 1;
FIG. 8 is a an isometric back view of the design of FIG. 1;
FIG. 9 is an isometric front view of a cradle for communications device showing an alternative embodiment of the new design;
FIG. 10 is a front view of the design of FIG. 9;
FIG. 11 is a right side view of the design of FIG. 9;
FIG. 12 is a left side view of the design of FIG. 9;
FIG. 13 is a top view of the design of FIG. 9;
FIG. 14 is a bottom view of the design of FIG. 9;
FIG. 15 is a back view of the design of FIG. 9; and,
FIG. 16 is a an isometric back view of the design of FIG. 9.
The broken lines showing of selected portions of the cradle for communications device depict environmental subject matter and forms no part of the claimed design.

1 Claim, 14 Drawing Sheets



(56)

References Cited

U.S. PATENT DOCUMENTS

D560,208 S *	1/2008	Skurdal	D14/214	D610,569 S *	2/2010	Fiebel et al.	D14/209.1
D560,657 S *	1/2008	Langberg et al.	D14/214	D620,921 S *	8/2010	Skurdal	D14/209.1
D589,026 S *	3/2009	Ang et al.	D14/168	D647,505 S *	10/2011	Skurdal	D14/209.1
D592,186 S *	5/2009	Cho et al.	D14/214	D657,342 S *	4/2012	Cao et al.	D14/171
D598,006 S *	8/2009	Tse	D14/209.1	D674,381 S *	1/2013	Ma	D14/253
D599,782 S *	9/2009	Tse	D14/209.1	D677,244 S *	3/2013	Funayama	D14/209.1
				2005/0181756 A1 *	8/2005	Lin	455/344
				2005/0255895 A1 *	11/2005	Lee et al.	455/573

* cited by examiner

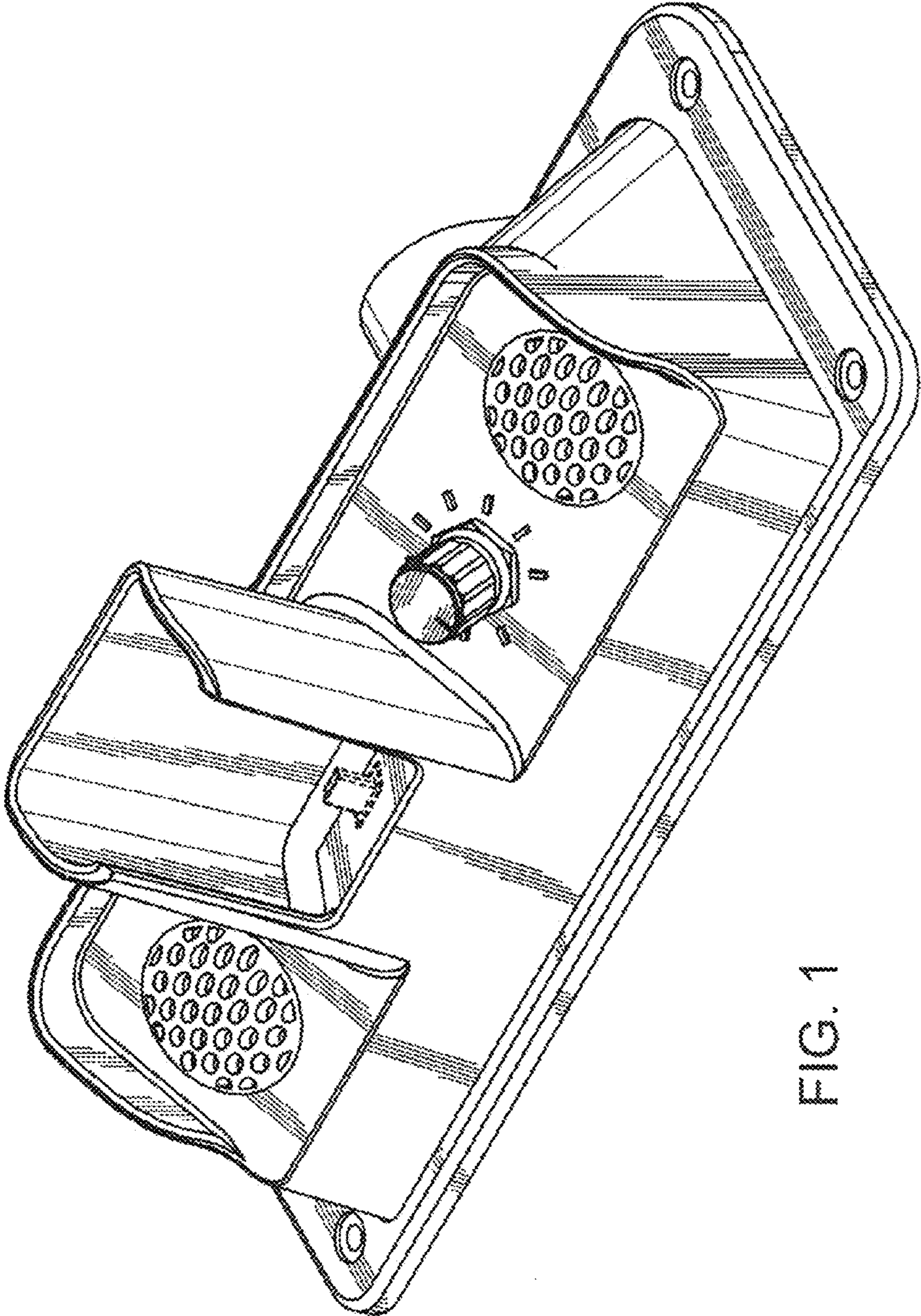


FIG. 1

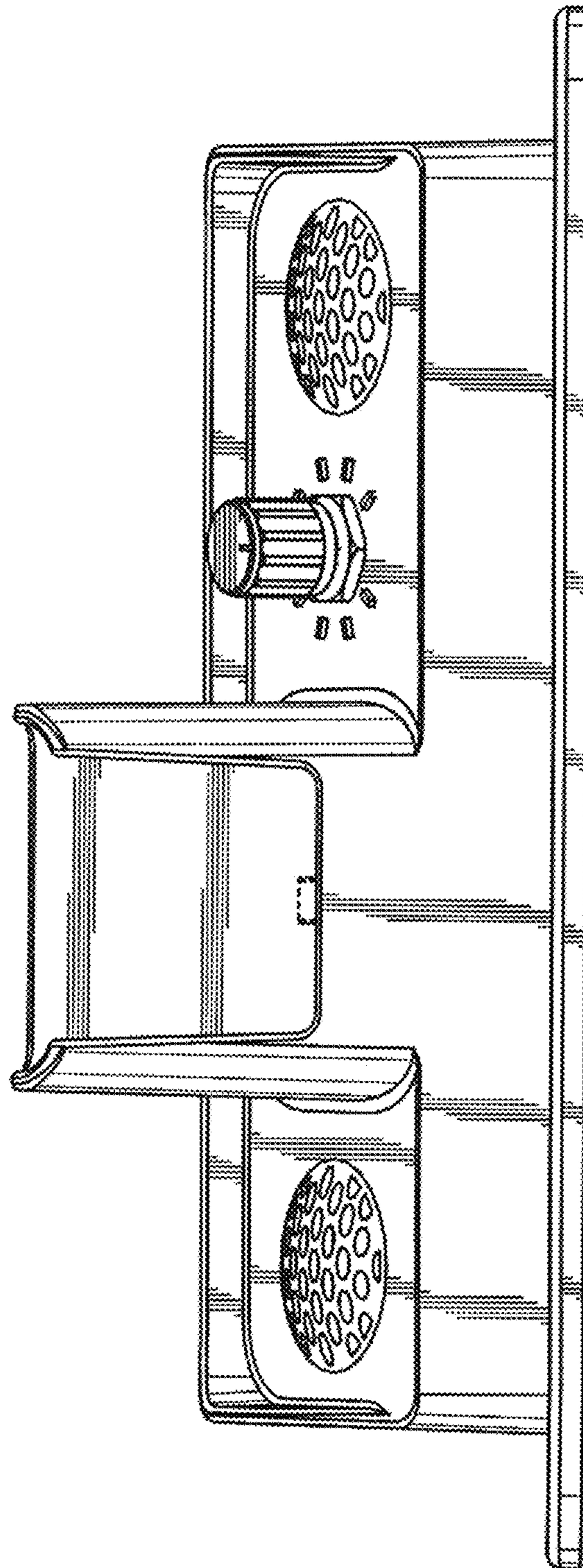


FIG. 2

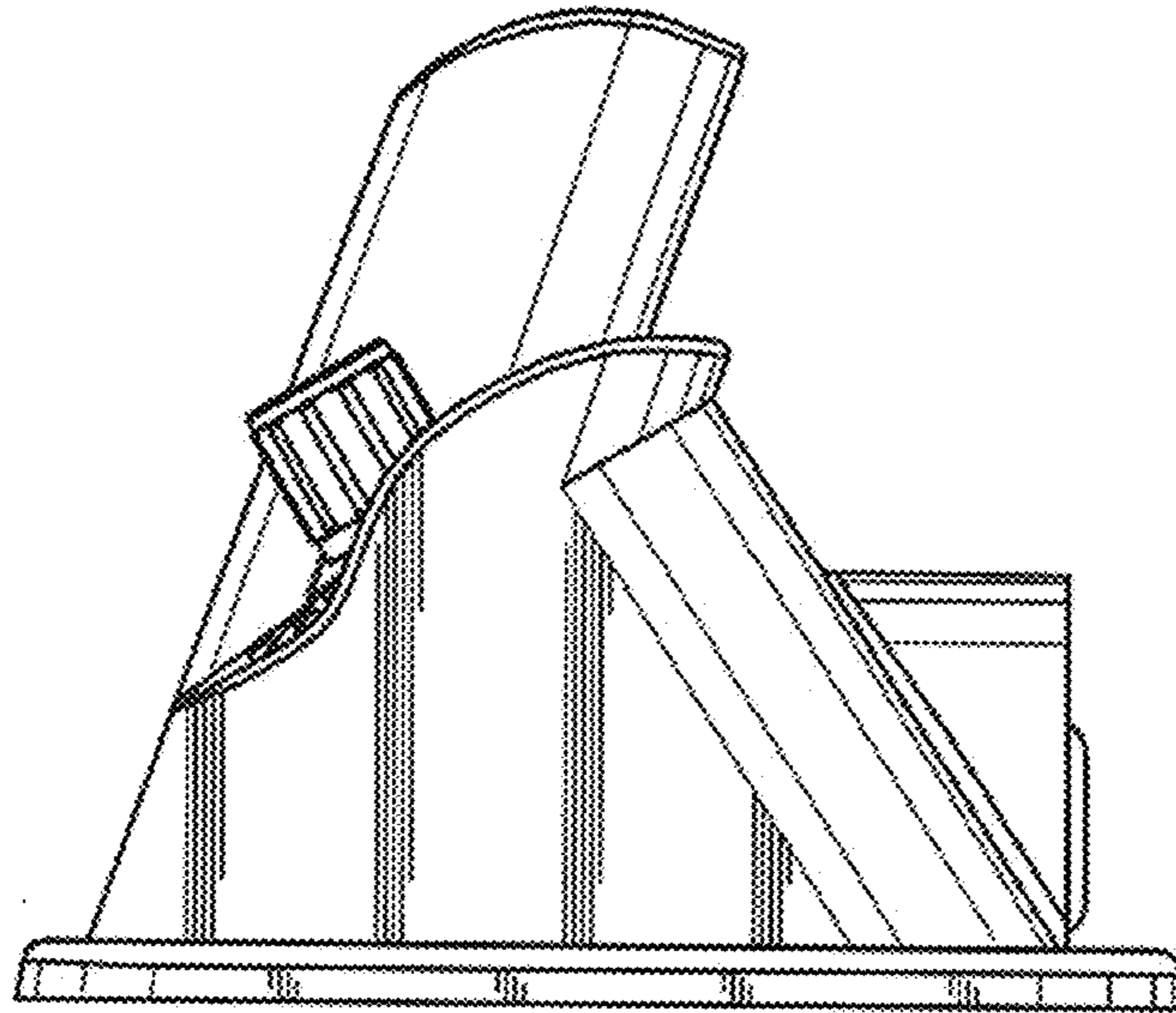


FIG. 3

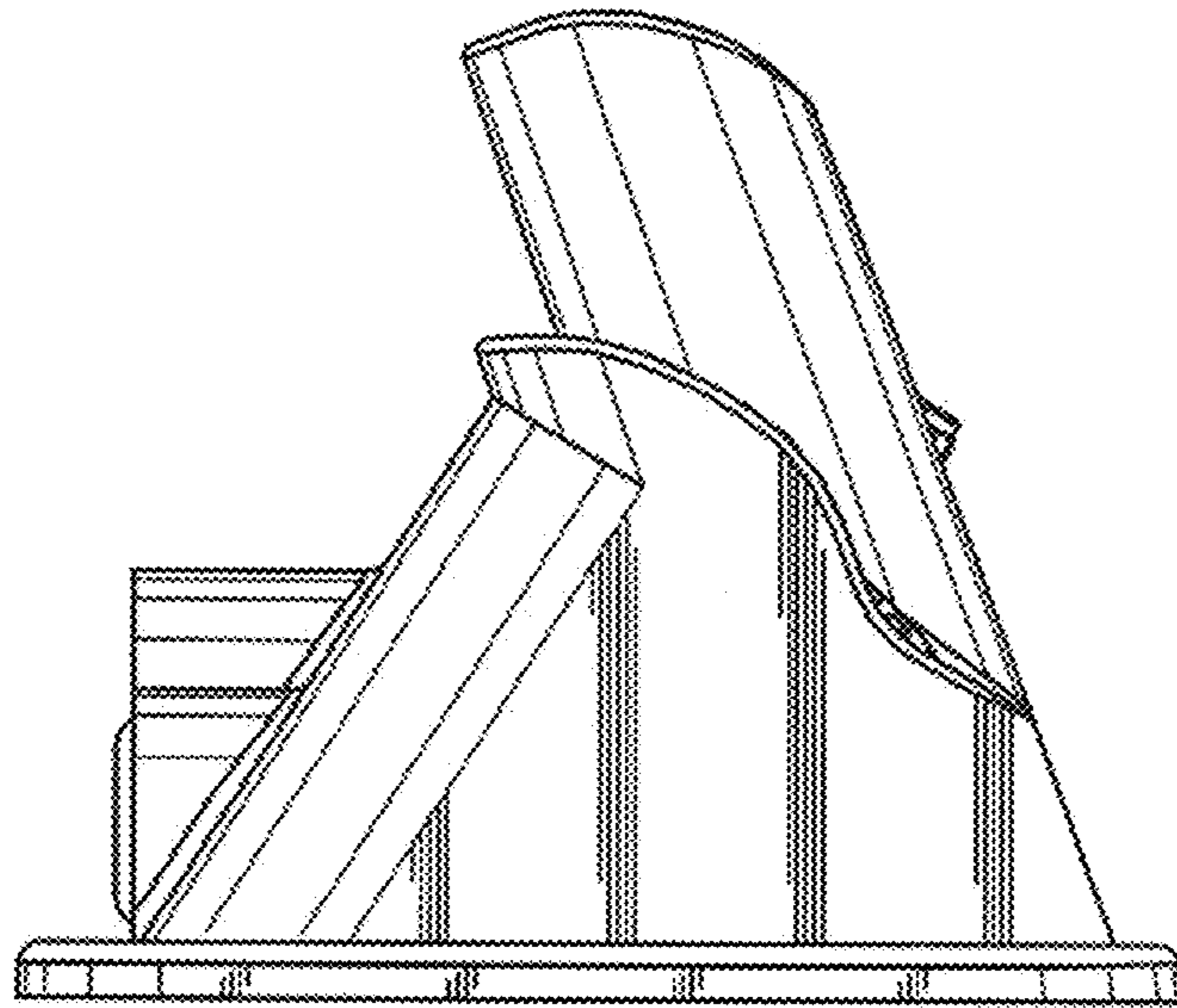


FIG. 4

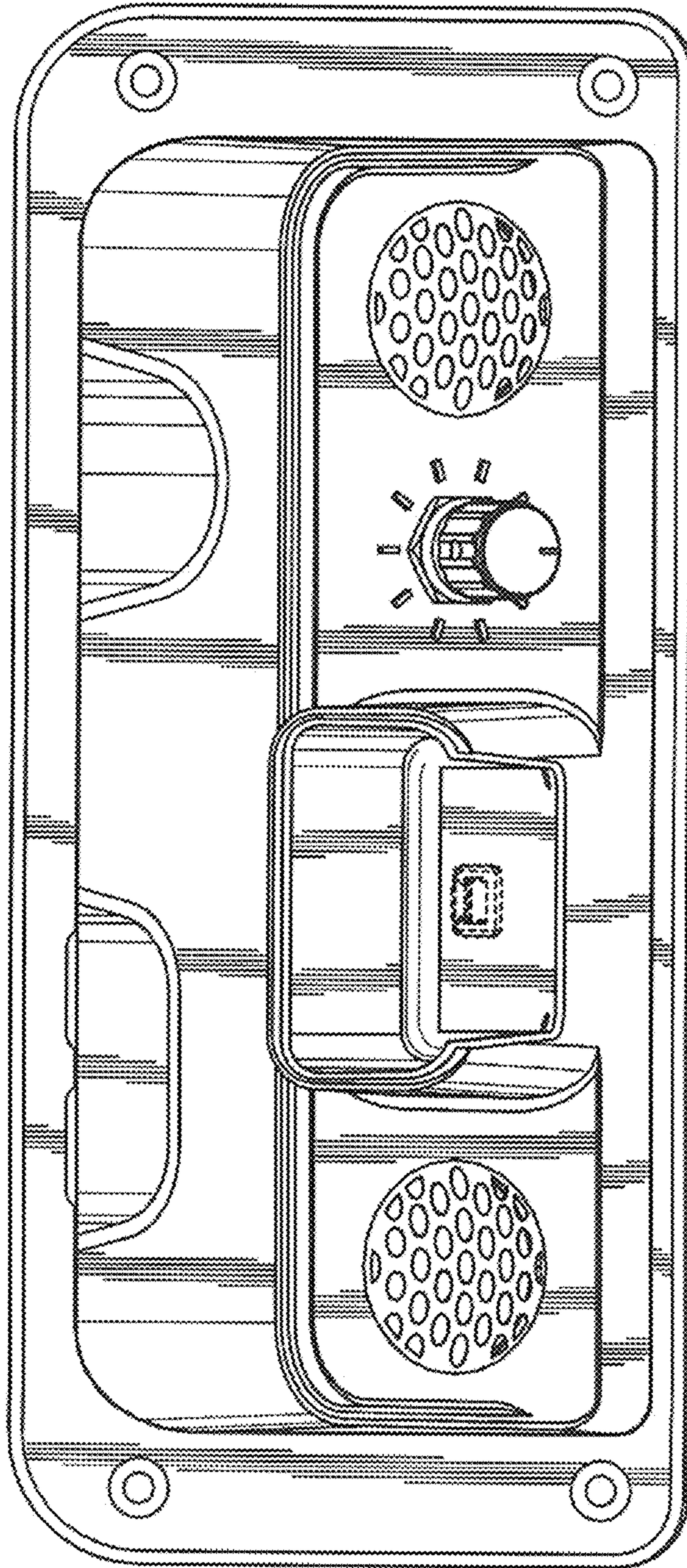


FIG. 5

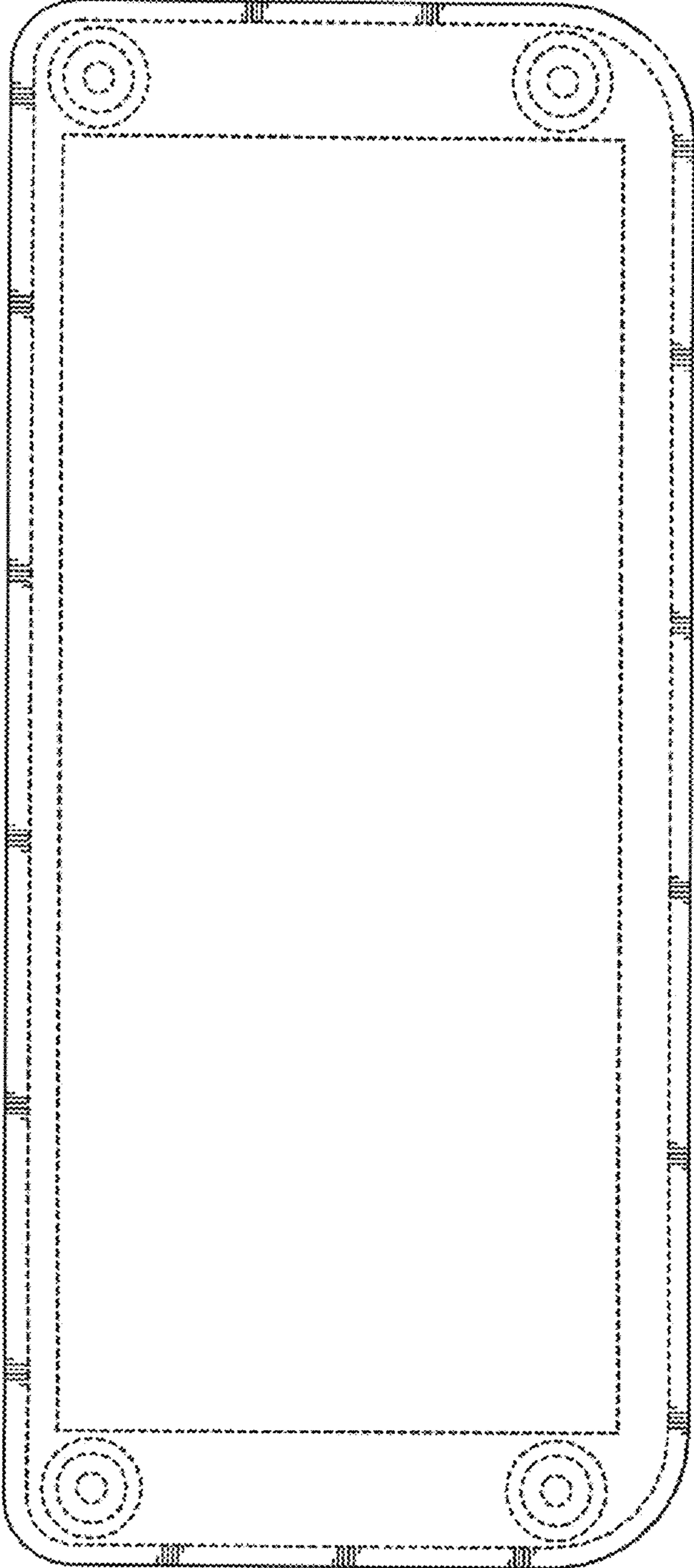


FIG. 6

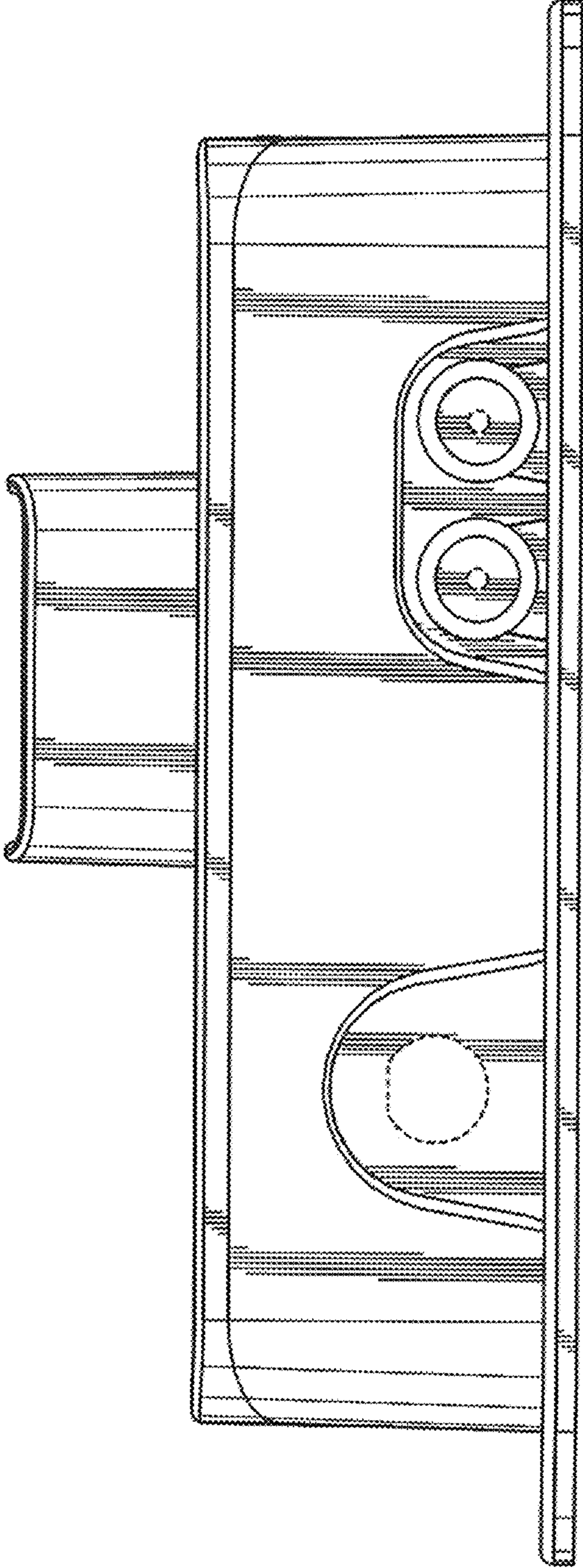


FIG. 7

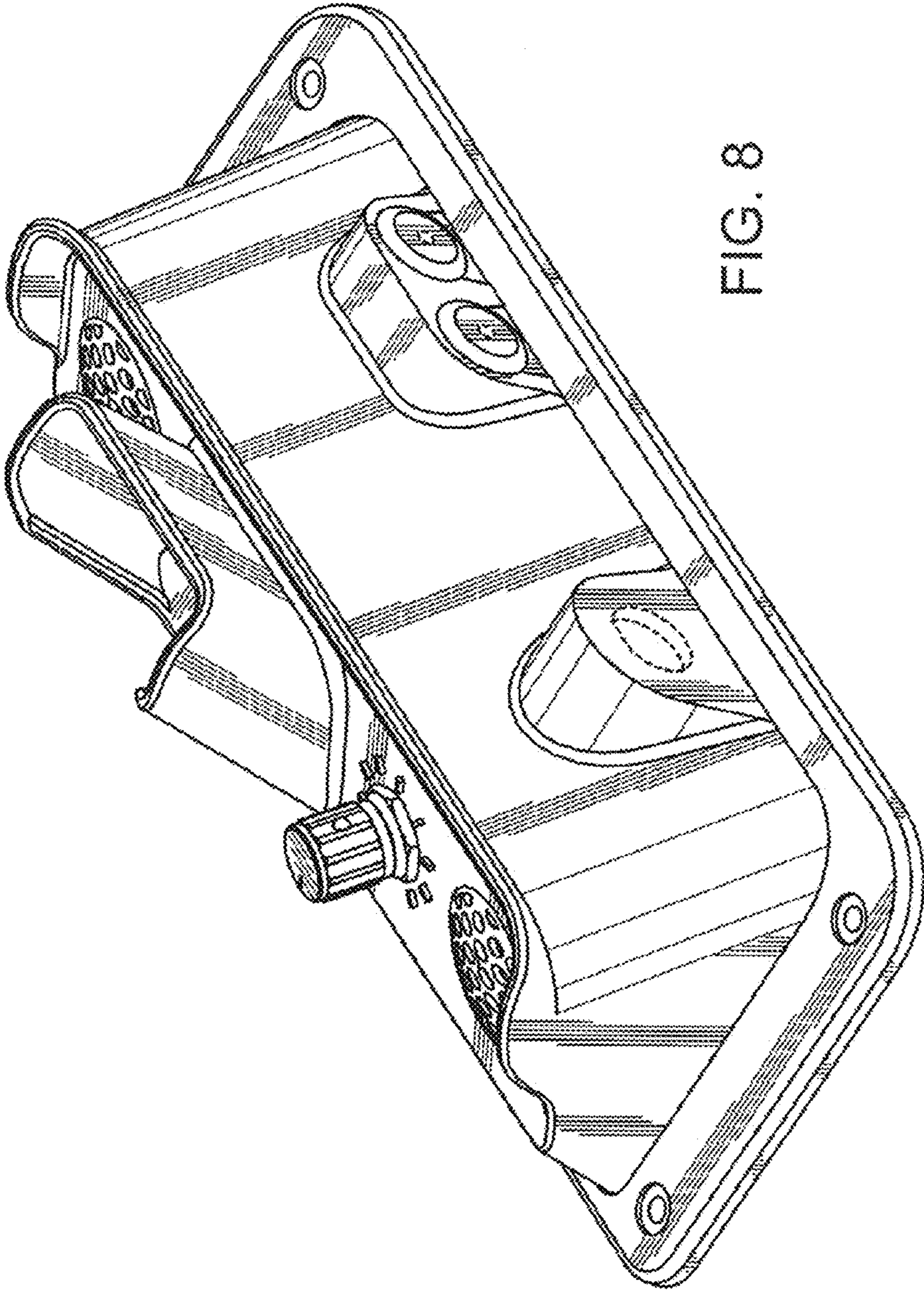


FIG. 8

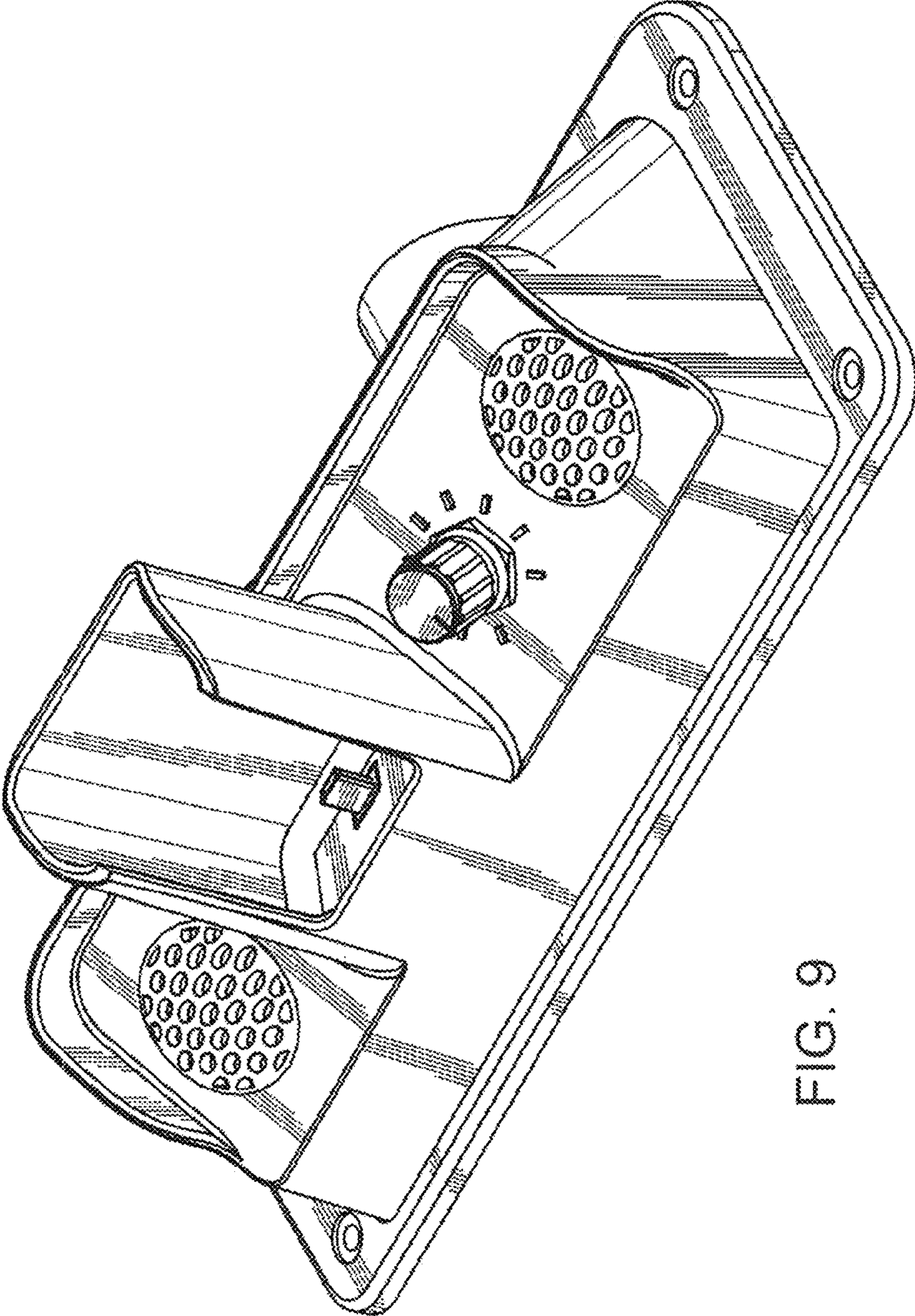


FIG. 9

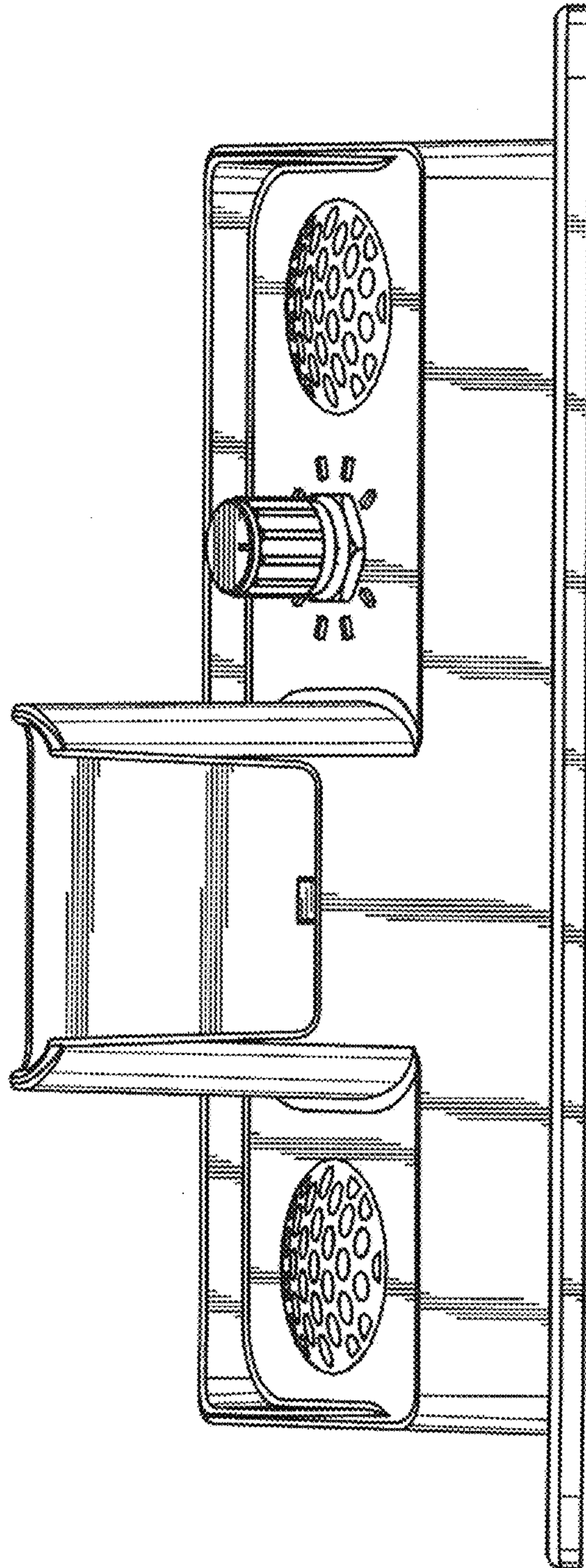


FIG. 10

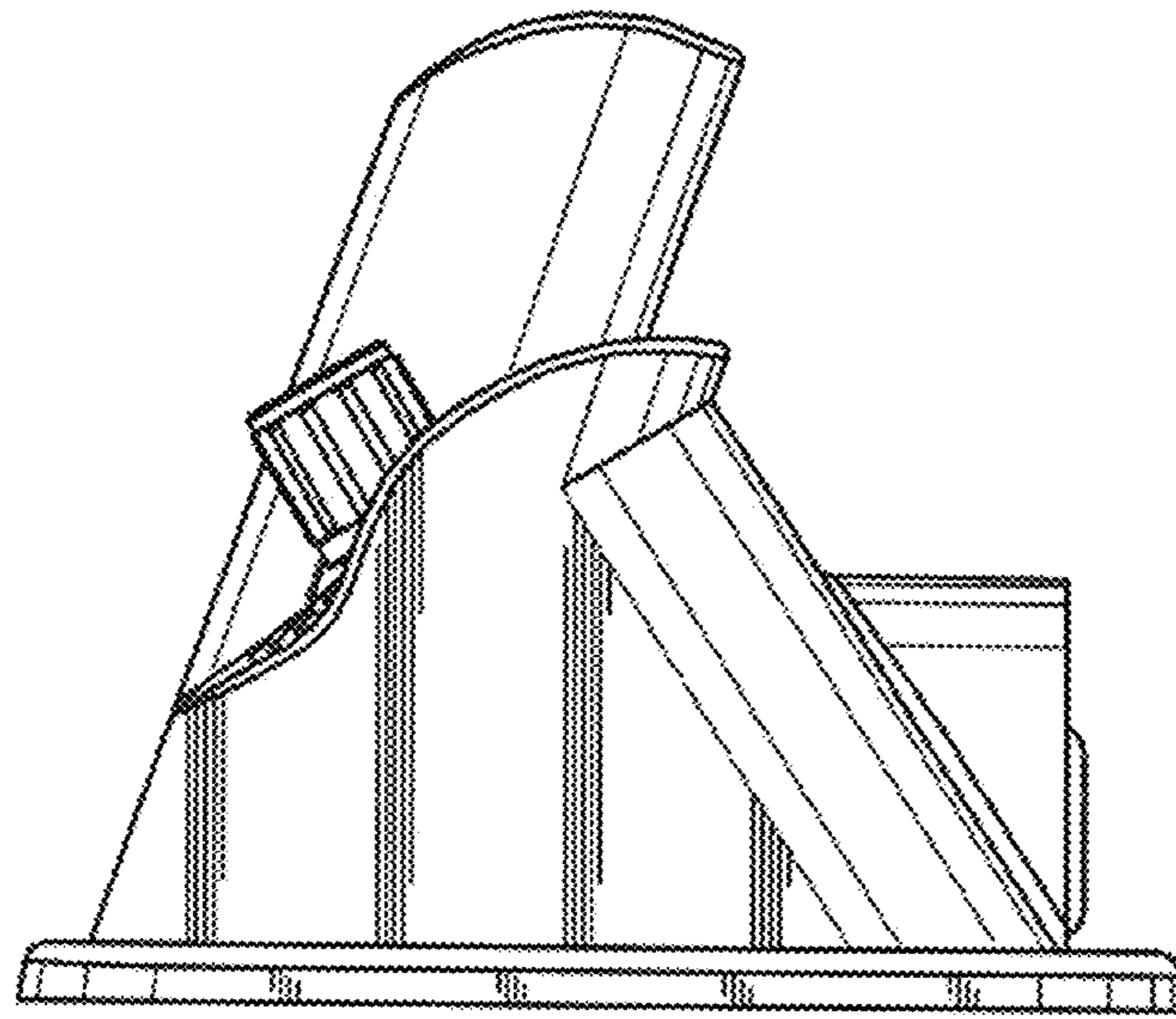


FIG. 11

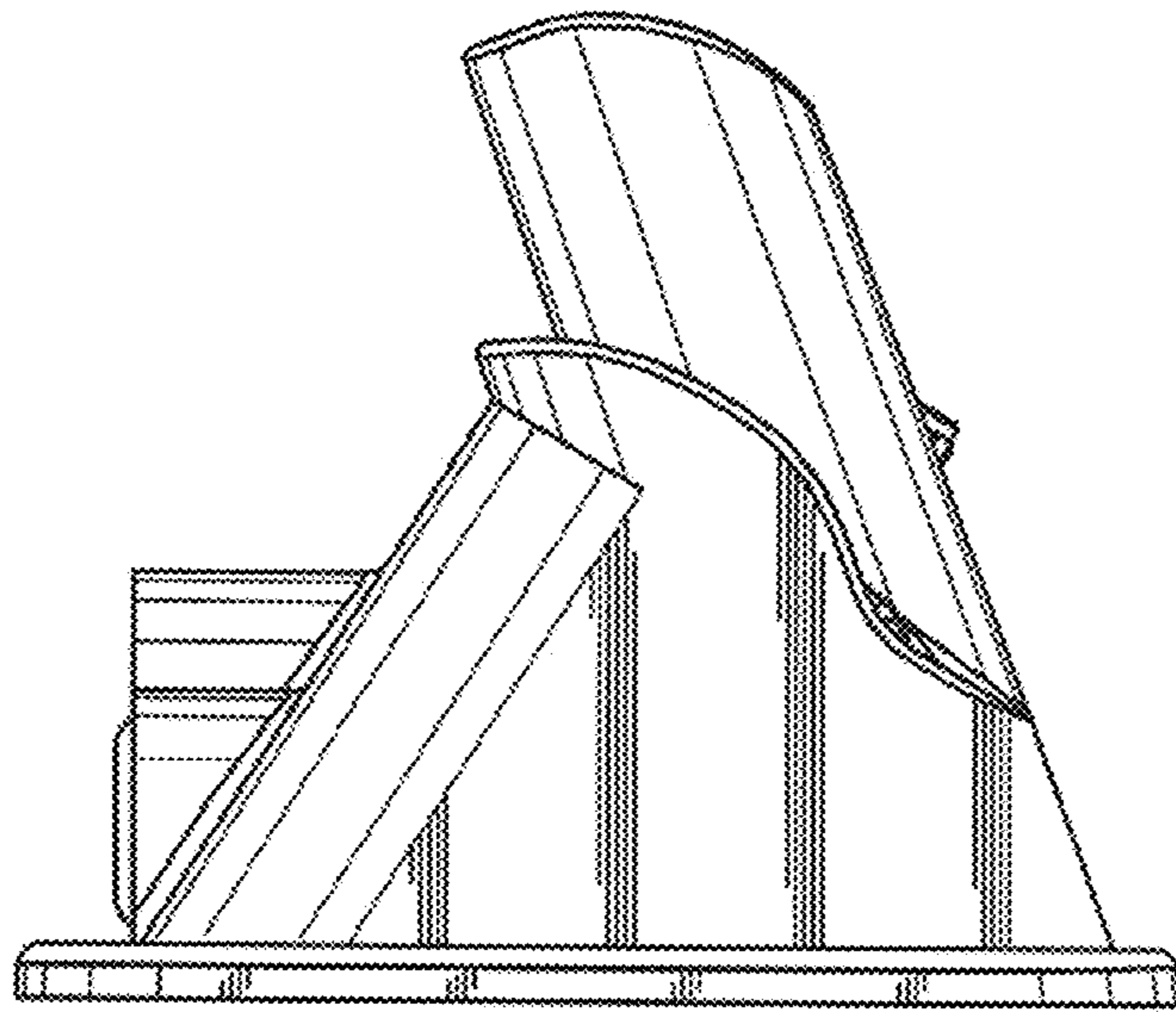


FIG. 12

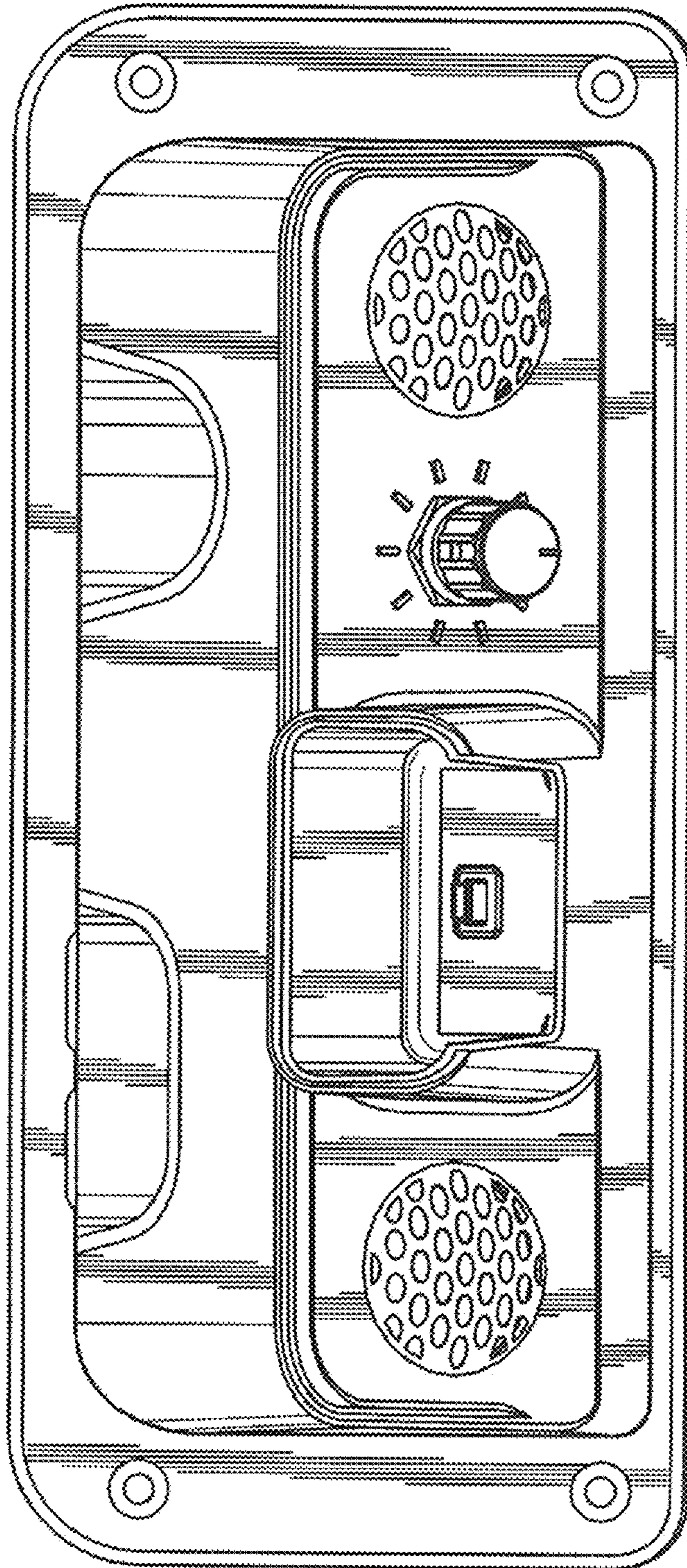


FIG. 13

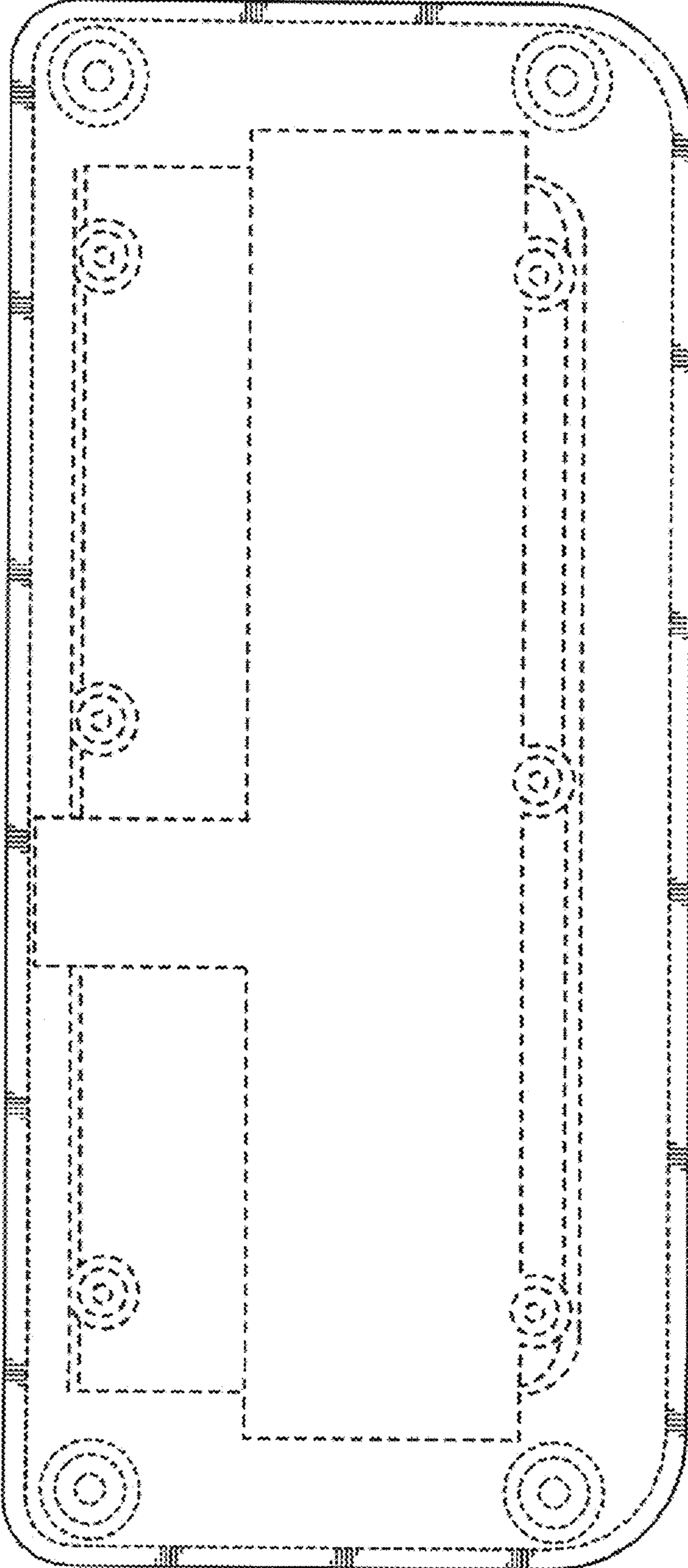


FIG. 14

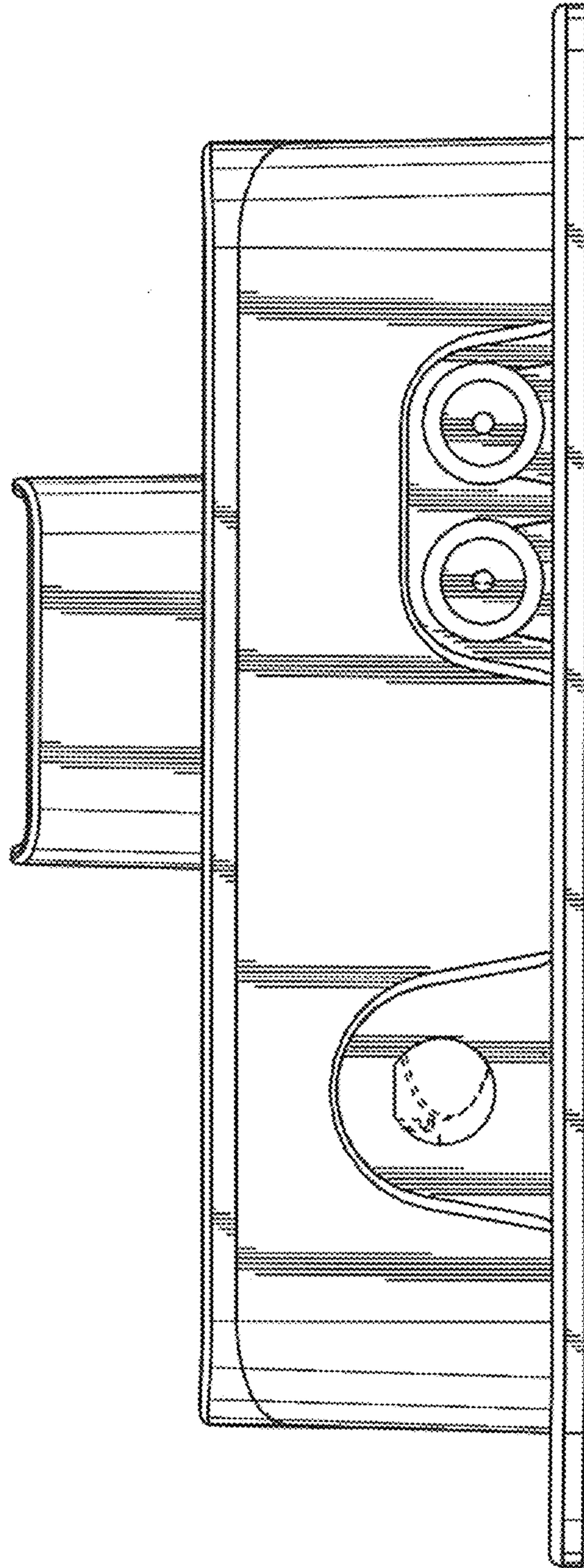


FIG. 15

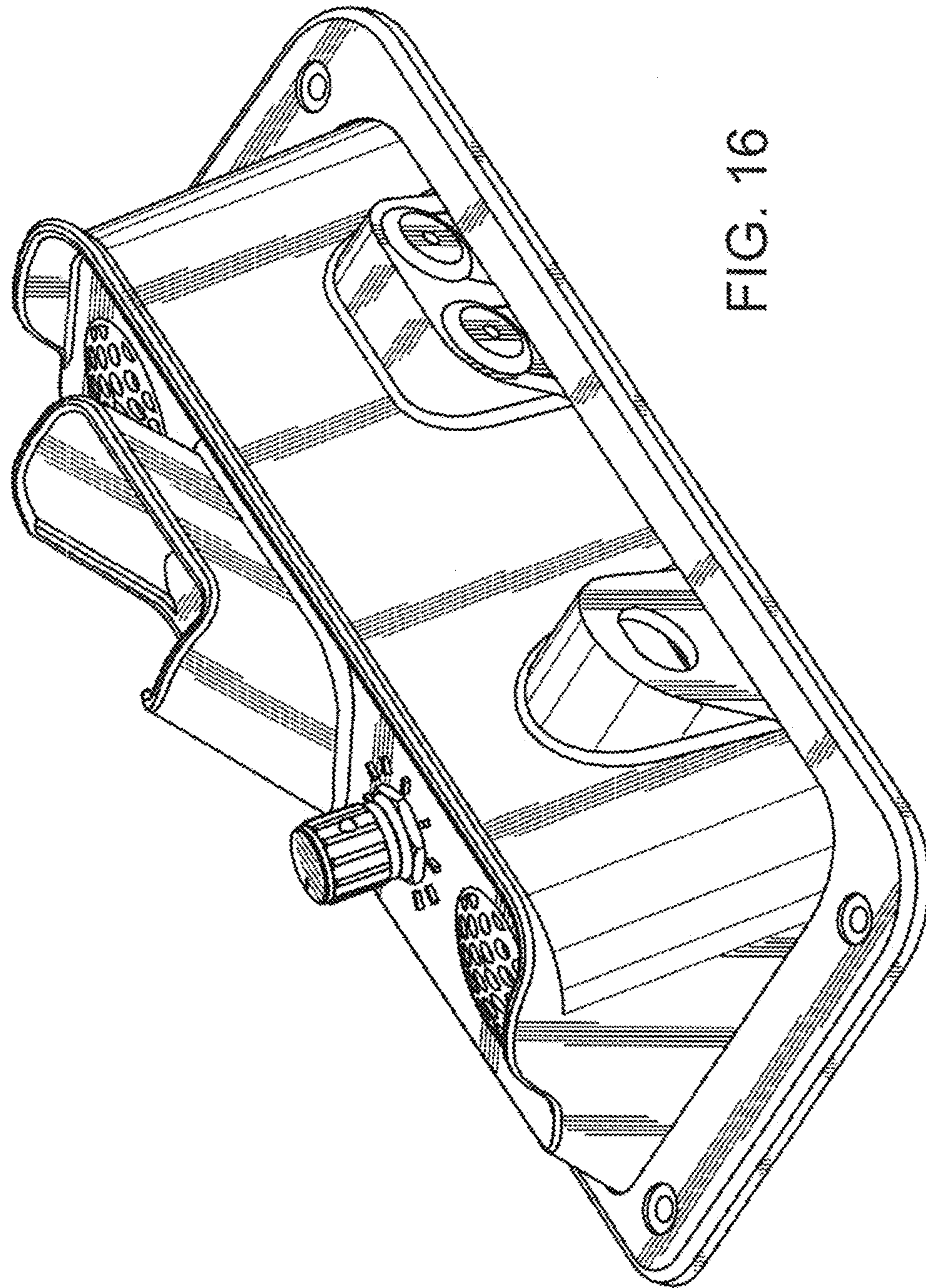


FIG. 16