



US00D717779S

(12) **United States Design Patent**
Dong

(10) **Patent No.:** **US D717,779 S**
(45) **Date of Patent:** **** Nov. 18, 2014**

(54) **CELL PHONE PROTECTOR CASE WITH
THREE-DIMENSIONAL SPIDERBITE**

(71) Applicant: **Hong Dong**, Diamond Bar, CA (US)

(72) Inventor: **Hong Dong**, Diamond Bar, CA (US)

(73) Assignee: **Valor Communication, Inc.**, City of Industry, CA (US)

(**) Term: **14 Years**

(21) Appl. No.: **29/434,435**

(22) Filed: **Oct. 12, 2012**

(51) **LOC (10) Cl.** **14-03**

(52) **U.S. Cl.**
USPC **D14/250**

(58) **Field of Classification Search**
USPC D14/250, 251, 217, 248; D3/269, 247,
D3/249, 303, 301; 248/309.1, 371, 176.3,
248/668; 361/679.56, 679.3, 679.25, 816;
375/426, 433.11, 455

See application file for complete search history.

(56) **References Cited**

U.S. PATENT DOCUMENTS

D464,093	S	*	10/2002	Weiser et al.	D21/650
D500,260	S	*	12/2004	Majors	D11/81
D512,807	S	*	12/2005	Haro	D1/107
D610,807	S	*	3/2010	Bau	D3/269
D620,000	S	*	7/2010	Bau	D14/250
D632,479	S	*	2/2011	van der Lande	D3/211
D644,215	S	*	8/2011	Dong	D14/250
D650,776	S	*	12/2011	Bau	D14/250
D670,912	S	*	11/2012	Bau	D3/303
D671,932	S	*	12/2012	Azoulay	D14/250
D671,933	S	*	12/2012	Rodgers	D14/250
D681,624	S	*	5/2013	Chang	D14/250
D682,815	S	*	5/2013	Chang	D14/250
8,439,191	B1	*	5/2013	Lu	206/320
D688,233	S	*	8/2013	Dong	D14/250

D688,234	S	*	8/2013	Esses	D14/250
D689,851	S	*	9/2013	Chang et al.	D14/250
2012/0261289	A1	*	10/2012	Wyner et al.	206/320

OTHER PUBLICATIONS

“Review: Spider bite Case for the iPhone 4s”, Published on YouTube.com on Sep. 26, 2012 [online]. [retrieved on Oct. 30, 2013] Uploaded by EL3CTRONICZ [online], Retrieved from the Internet: <https://www.youtube.com/watch?v=EmFSDysBu2A>.*

(Continued)

Primary Examiner — Adir Aronovich

Assistant Examiner — Ethiene Salgado-Rodriguez

(74) *Attorney, Agent, or Firm* — Thomas I. Rozsa

(57) **CLAIM**

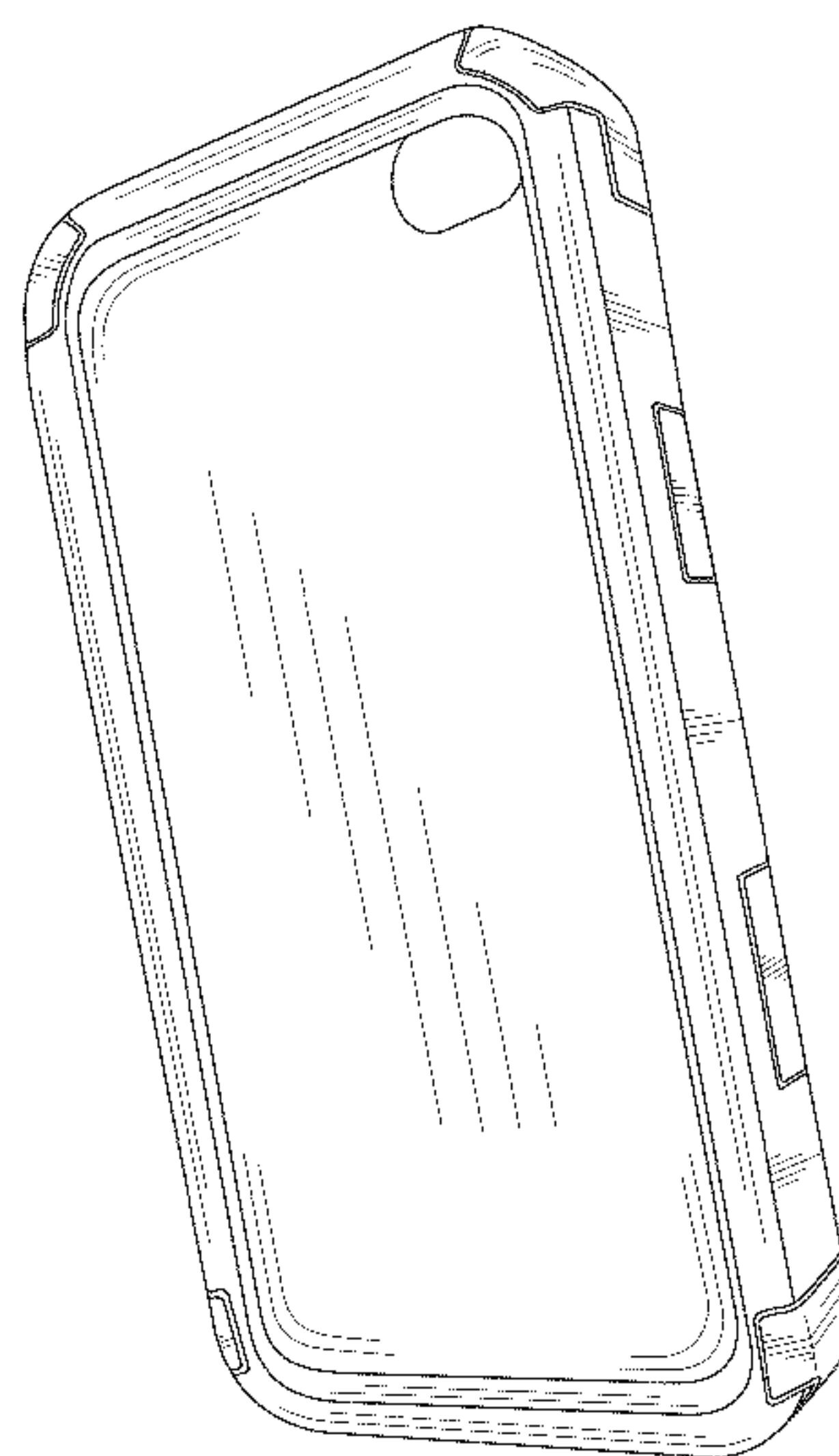
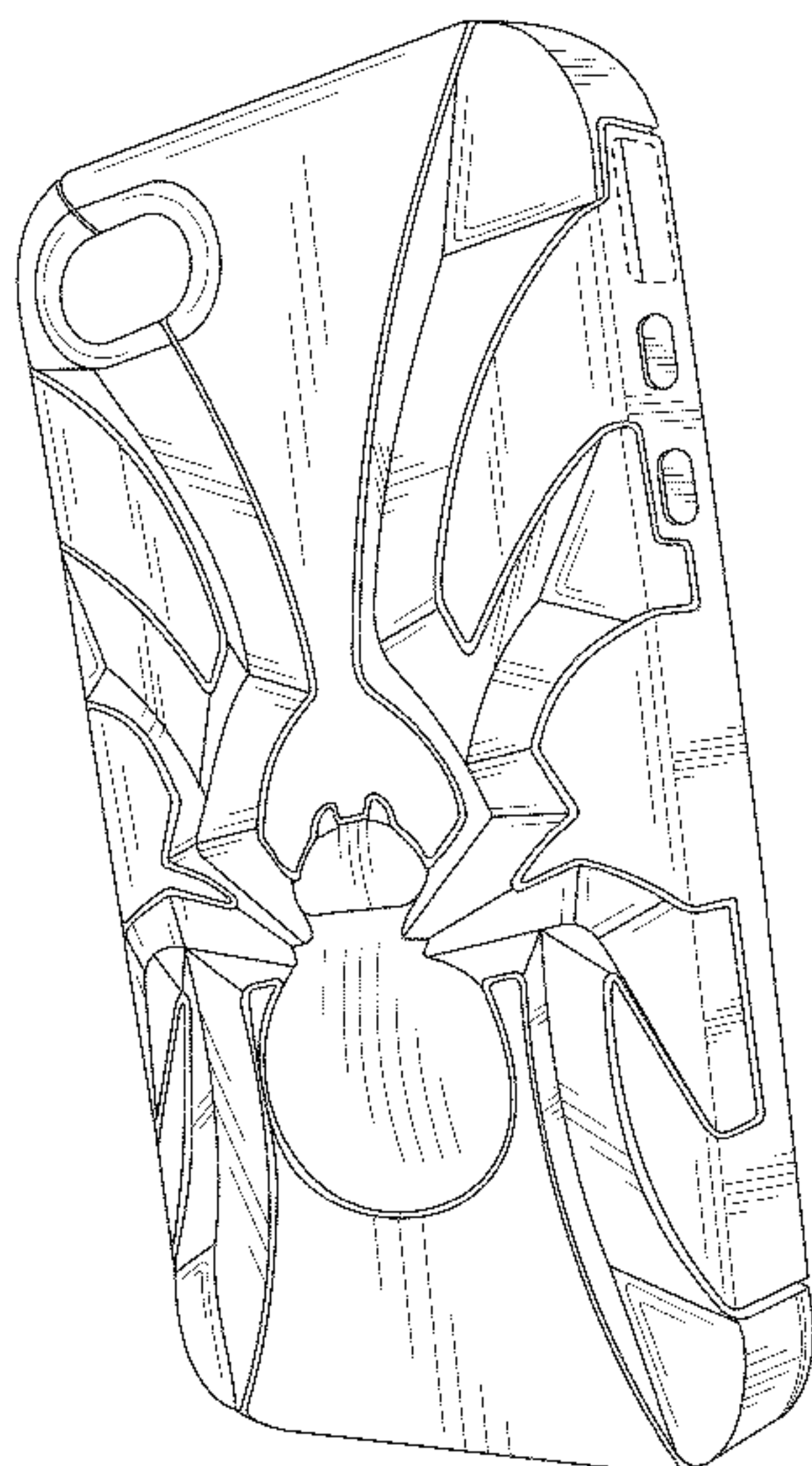
The ornamental design for a cell phone protector case with three dimensional spider-bite, as shown and described.

DESCRIPTION

FIG. 1 is a rear perspective view of a cell phone protector case with three dimensional spider-bite showing my new design; FIG. 2 is a front perspective view thereof; FIG. 3 is rear elevational view thereof; FIG. 4 is a front elevational view thereof; FIG. 5 is an elevational view of a left side thereof; FIG. 6 is an elevational view of the right side thereof; FIG. 7 is a top plan view thereof; FIG. 8 is a bottom plan view thereof; FIG. 9 is a rear exploded view thereof, the three-dimensional spider-bite being removed from the cell phone protector case; and, FIG. 10 is a front exploded view thereof, the three-dimensional spider-bite being removed from the cell phone protector case.

The broken lines throughout the figures are shown to illustrate portions of the cell phone protector case and form no part of the claimed design.

1 Claim, 8 Drawing Sheets



(56)

References Cited

OTHER PUBLICATIONS

“Samsung Galaxy S3 SpiderBite Cases”, Published on YouTube.com on Oct. 1, 2012 [online]. [retrieved on Oct. 30, 2013] Uploaded by Gyver Gear [online], Retrieved from the Internet: <https://www.youtube.com/watch?v=G-M_Rak1Ms8>.*

“MYBAT Silver Plating/Black Spiderbite Hybrid Protector Cover” [online]. [retrieved on Oct. 30, 2013] Valor Communication, Inc, 2009-2013 [online], Retrieved from the Internet: <<https://www.2valor.com/product/productinfo.aspx?pid=65317>>.*

* cited by examiner

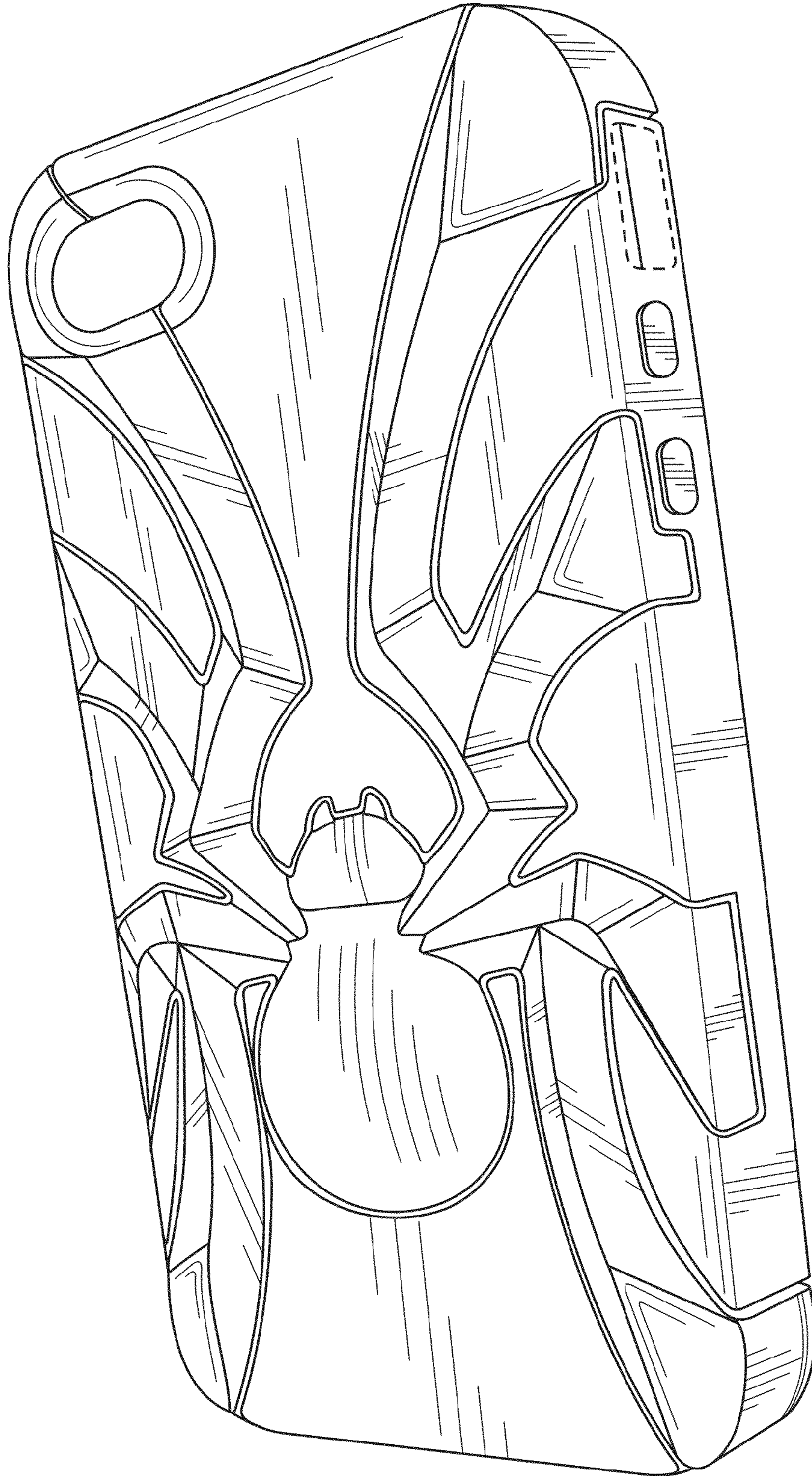


FIG. 1

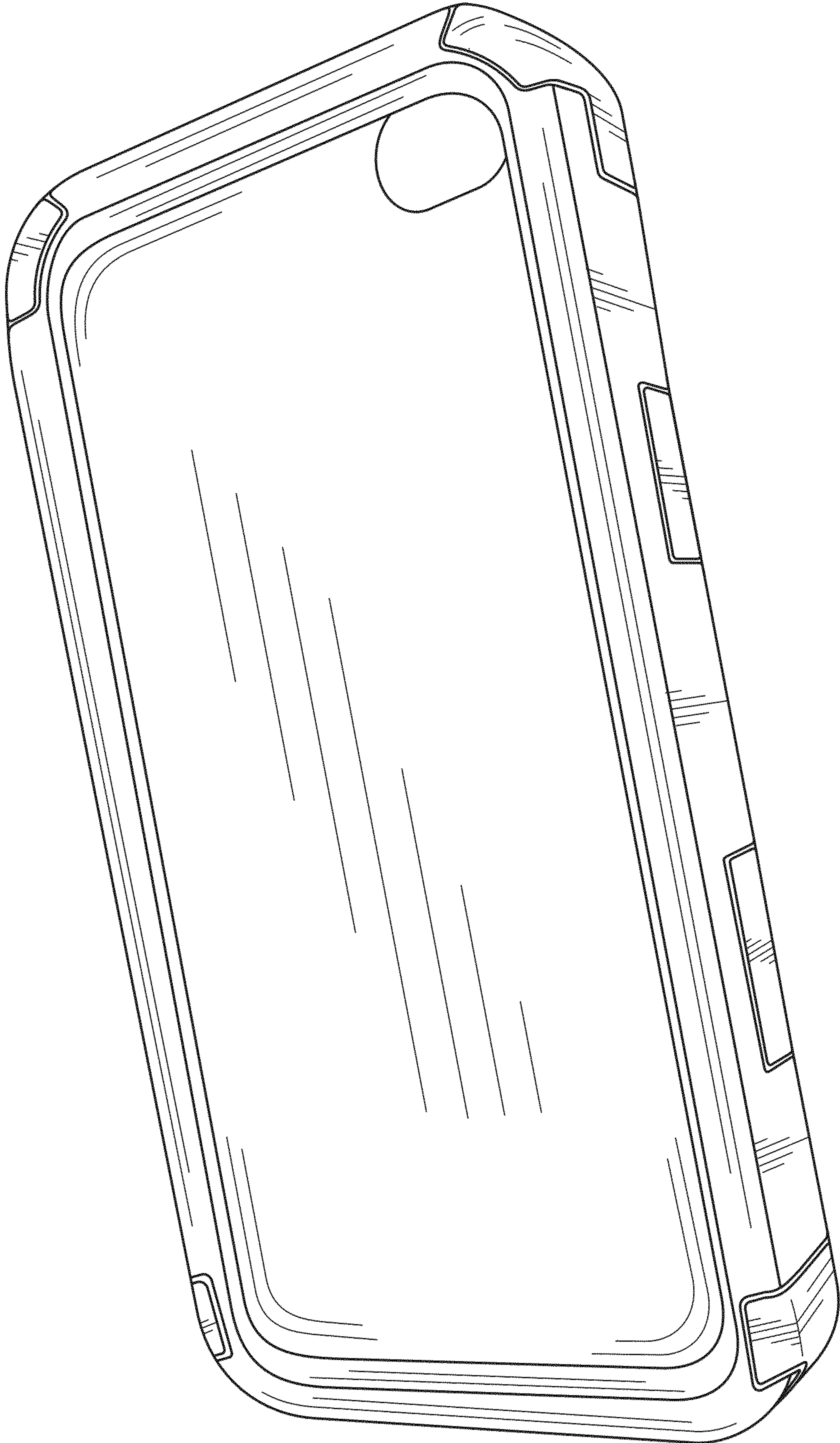


FIG. 2

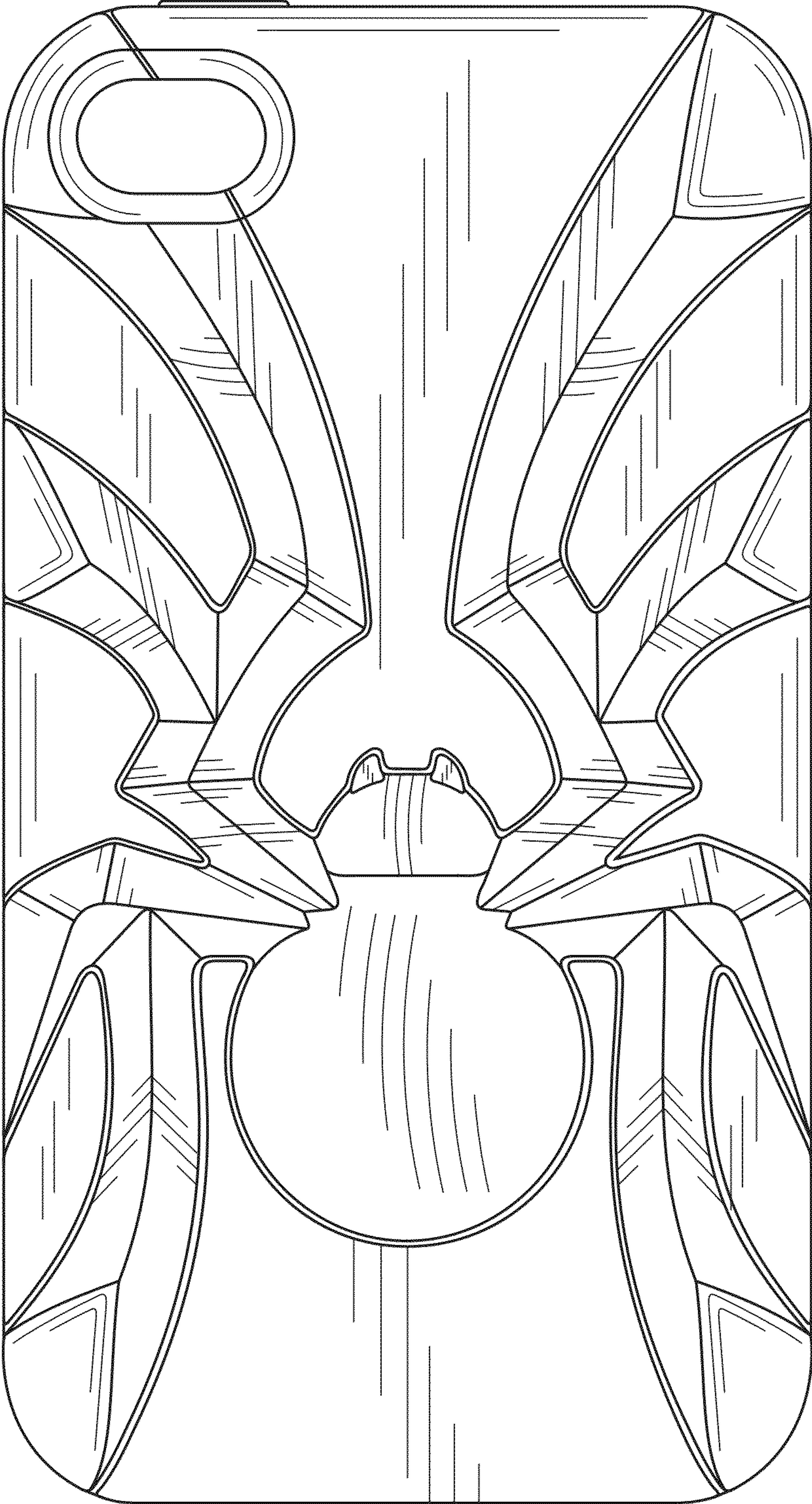


FIG. 3

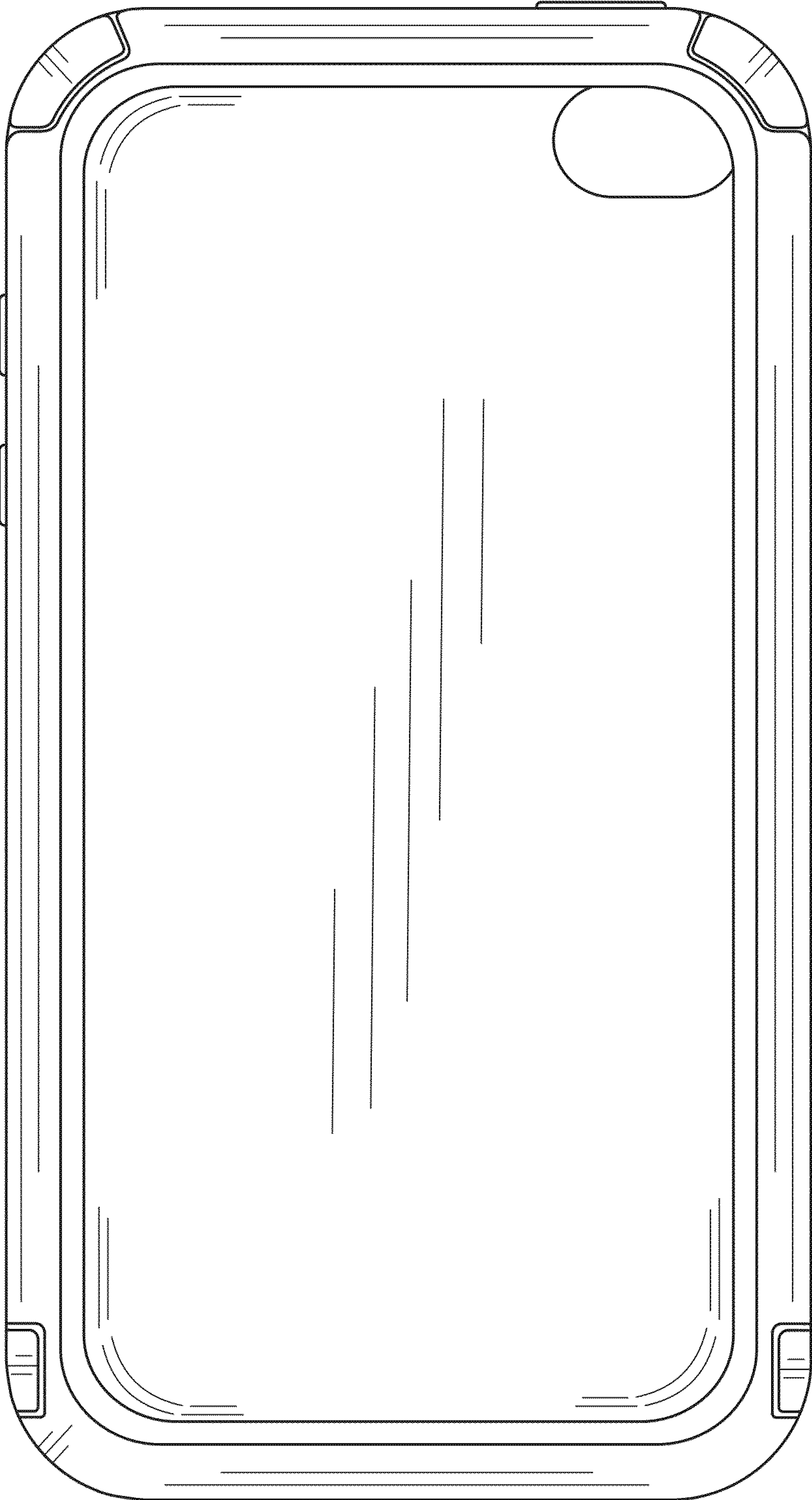


FIG. 4

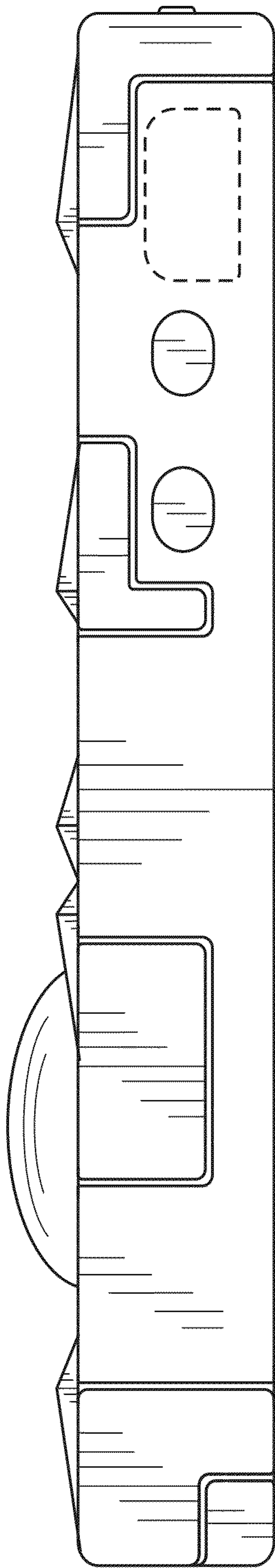


FIG. 5

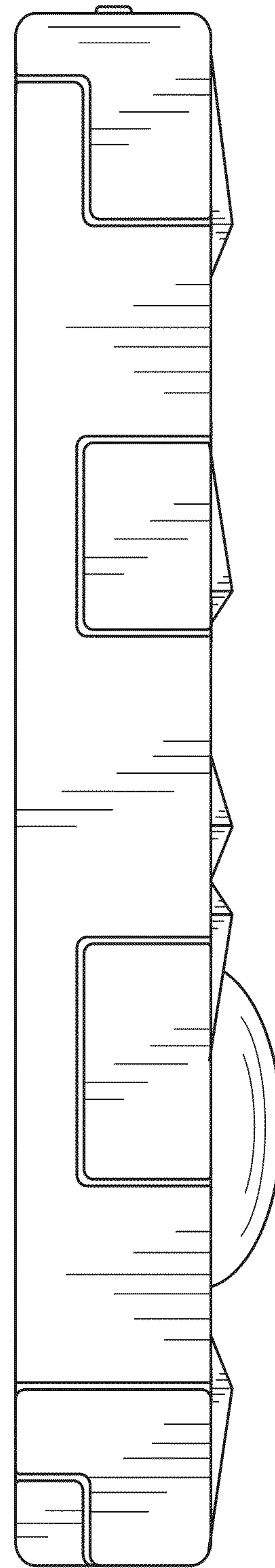


FIG. 6

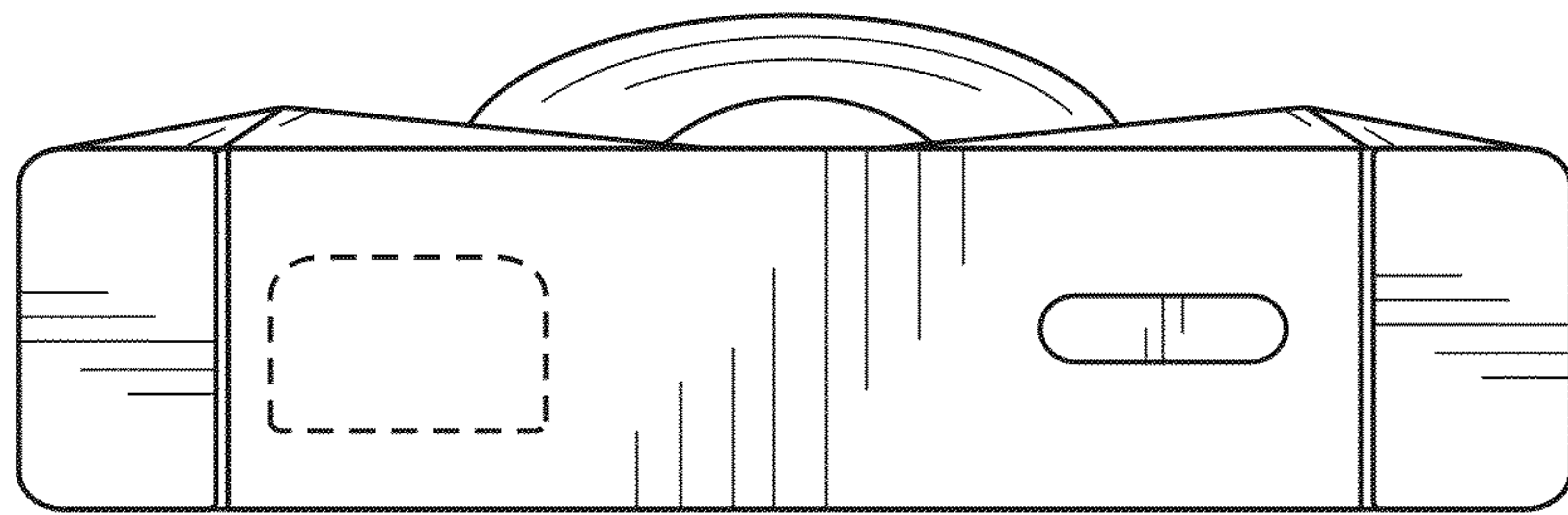


FIG. 7

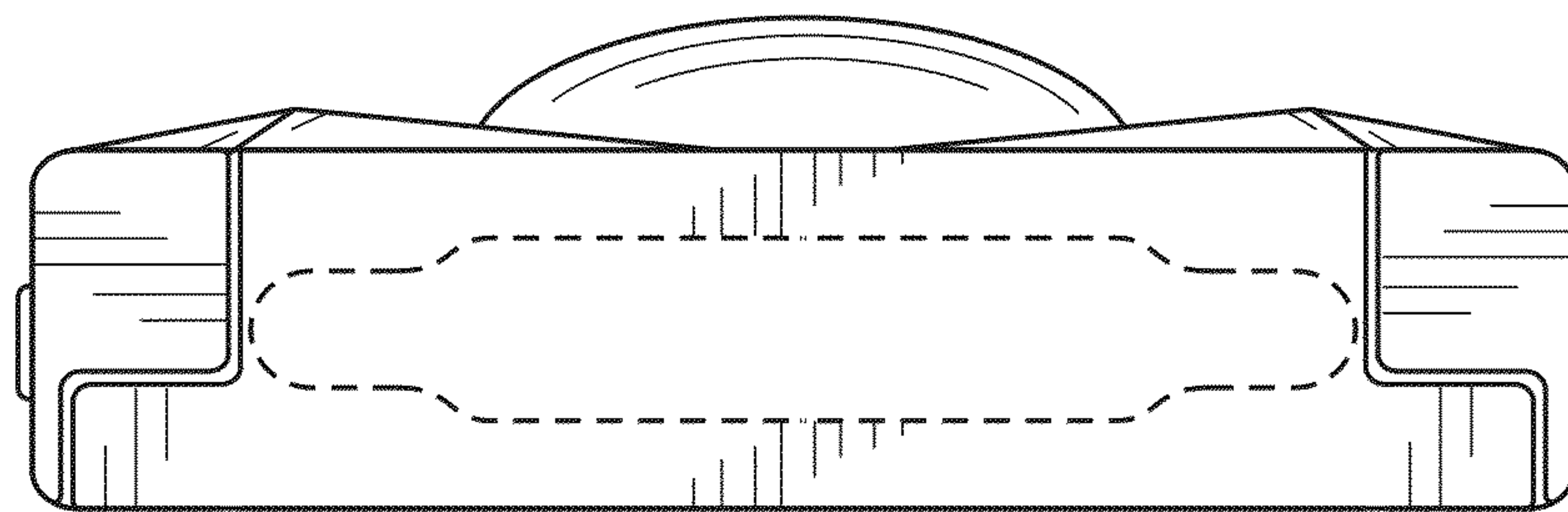


FIG. 8

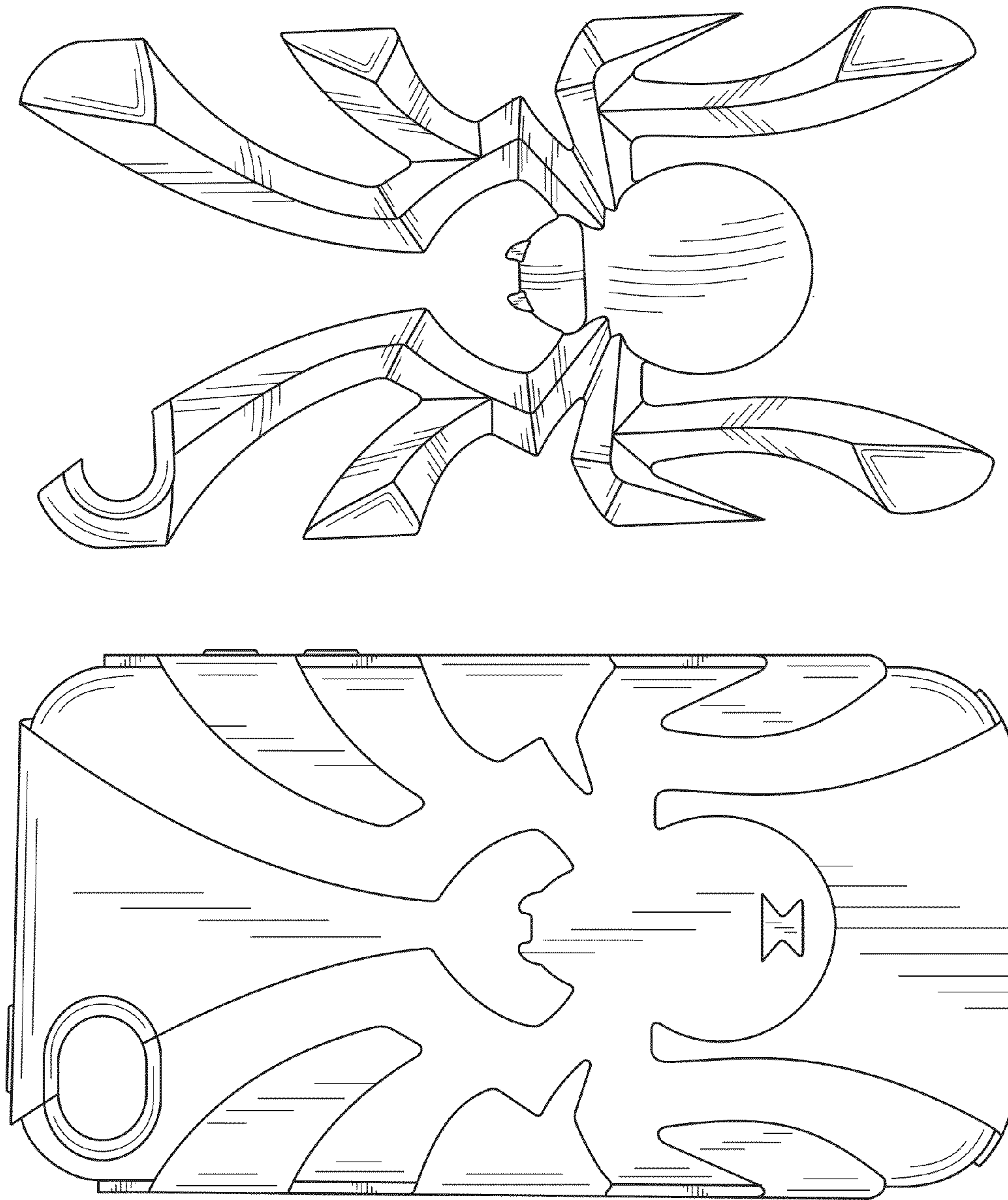


FIG. 9

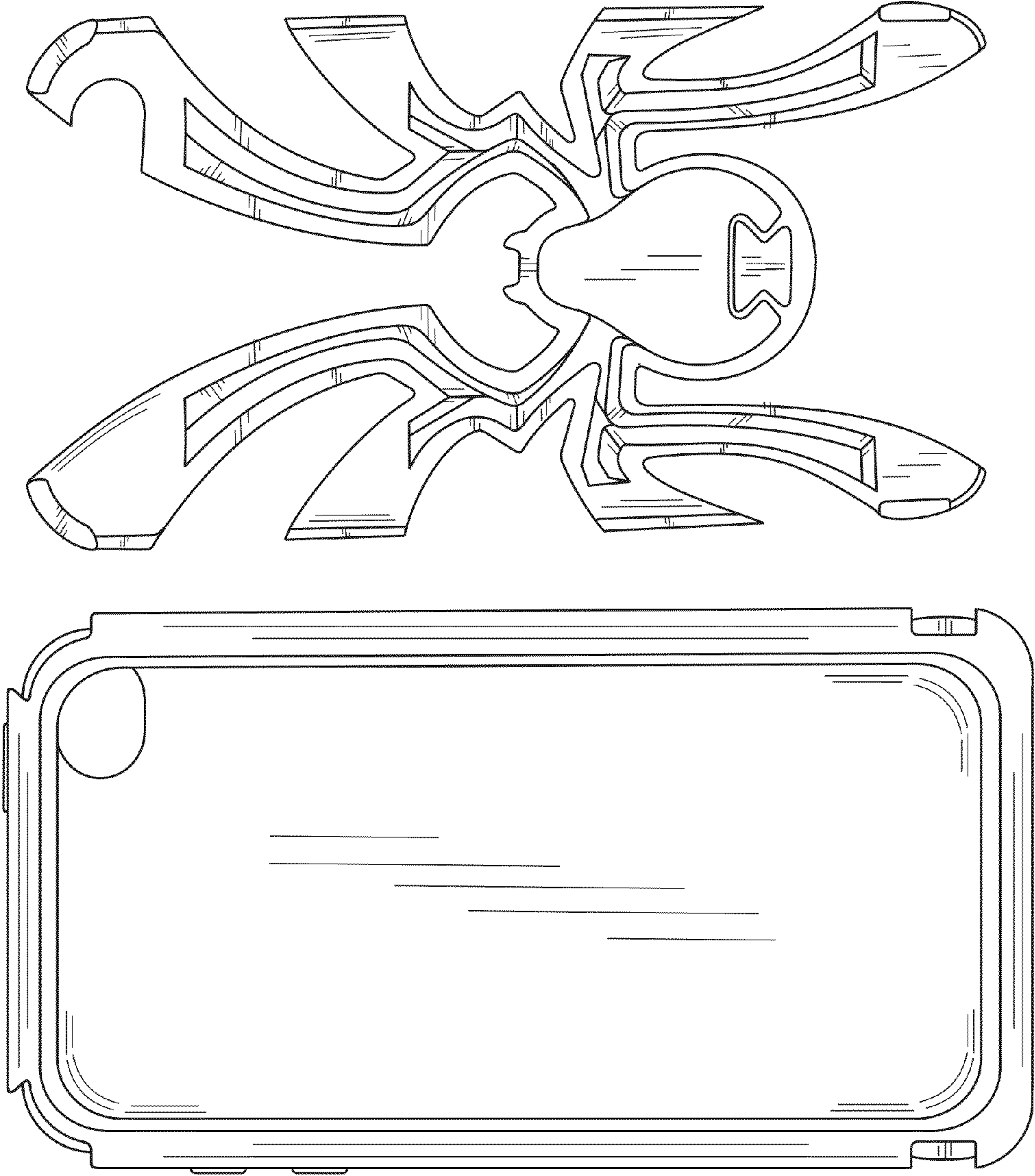


FIG. 10