



US00D71777S

(12) **United States Design Patent**  
**Hemesath et al.**

(10) **Patent No.:** **US D717,777 S**  
(45) **Date of Patent:** **\*\* Nov. 18, 2014**

- (54) **CASE**
- (71) Applicant: **Incipio Technologies, Inc.**, Irvine, CA (US)
- (72) Inventors: **Timothy Alan Hemesath**, Huntington Beach, CA (US); **Derek Bryan Veldkamp**, Huntington Beach, CA (US)
- (73) Assignee: **Incipio Technologies, Inc.**, Irvine, CA (US)

- 7,180,735 B2 2/2007 Thomas et al.
- 7,230,823 B2 6/2007 Richardson et al.
- 7,312,984 B2 12/2007 Richardson et al.
- D565,290 S 4/2008 Brandenburg et al.
- D567,792 S \* 4/2008 Park et al. .... D14/138 AD
- 7,386,331 B2 \* 6/2008 Hyun et al. .... 455/575.4
- D575,056 S 8/2008 Tan
- D586,851 S 2/2009 Lapsker
- D589,016 S 3/2009 Richardson et al.
- D589,482 S 3/2009 Lee et al.

(Continued)

(\*\*) Term: **14 Years**

(21) Appl. No.: **29/433,226**

(22) Filed: **Sep. 27, 2012**

(51) **LOC (10) Cl.** ..... **14-03**

(52) **U.S. Cl.**  
USPC ..... **D14/250**

(58) **Field of Classification Search**  
USPC ..... D14/138 AA, 138 AD, 138 C, 138 G,  
D14/203.7, 230, 238.1, 240, 247, 248, 250,  
D14/253, 341, 345, 346, 439, 440, 447;  
D13/103, 107, 119; D3/218; 206/320;  
220/662; 320/108; D6/306; 455/456.1,  
455/575.1, 575.4, 575.8; 429/96; D9/415  
See application file for complete search history.

(56) **References Cited**

**U.S. PATENT DOCUMENTS**

- D250,974 S 1/1979 Donley et al.
- D317,255 S 6/1991 Turk
- D337,435 S 7/1993 Kaneko et al.
- D368,369 S 4/1996 Pease
- D417,555 S \* 12/1999 Yared et al. .... D6/306
- 6,239,968 B1 5/2001 Kim et al.
- 6,445,577 B1 9/2002 Madsen et al.
- 6,519,141 B2 2/2003 Tseng et al.
- 6,646,864 B2 11/2003 Richardson
- 6,995,976 B2 2/2006 Richardson
- 7,158,376 B2 1/2007 Richardson et al.

**OTHER PUBLICATIONS**

For Love of Design, Who Wants the iPhone 5, by Rae, posted Sep. 20, 2012, <<http://rachelradcliffe.com/2012/09/20/who-wants-the-iphone-5/>>, retrieved from internet on Jan. 6, 2014.\*

(Continued)

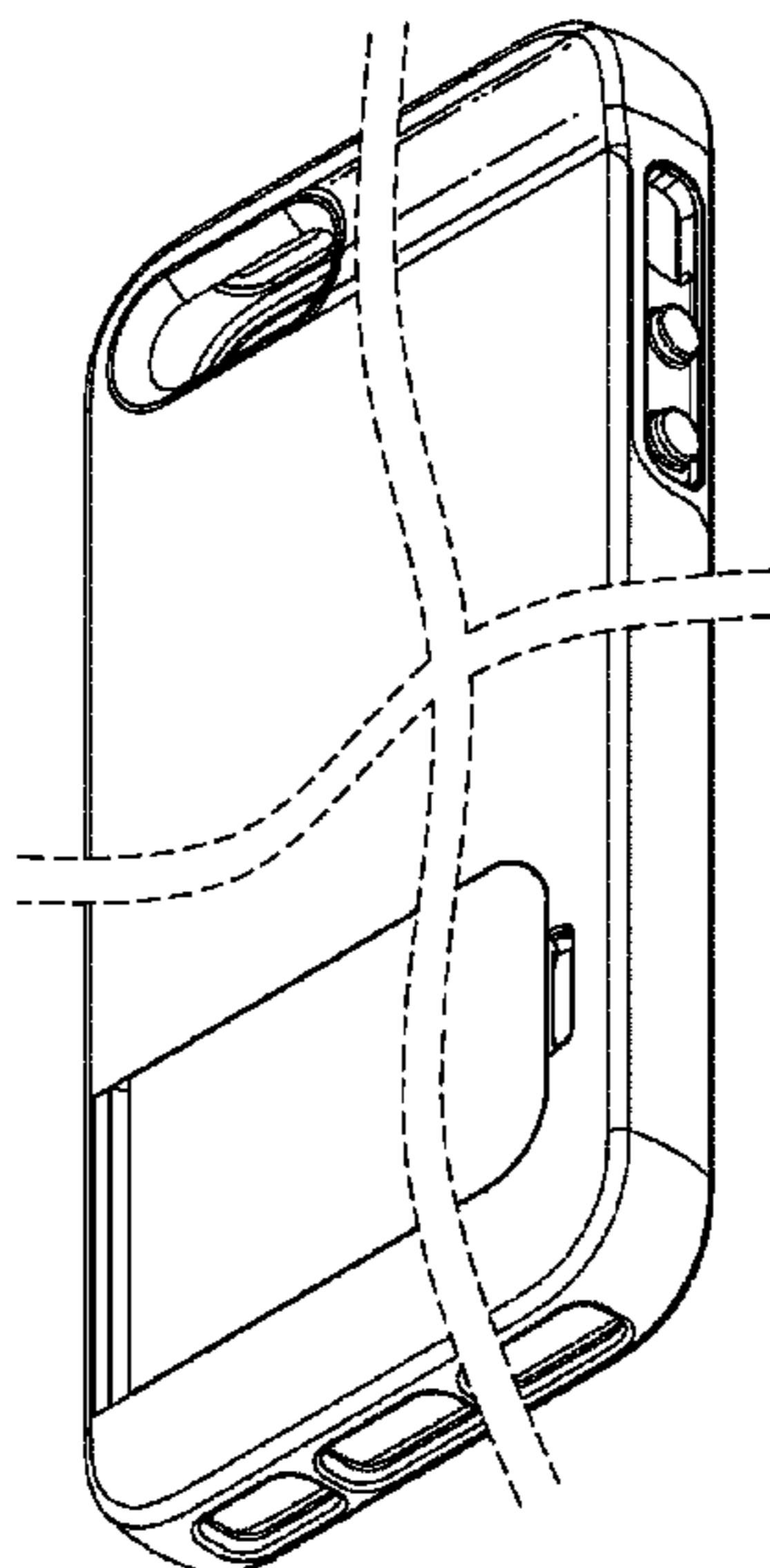
*Primary Examiner* — Thomas Johannes  
*Assistant Examiner* — Chelsea Sealey  
(74) *Attorney, Agent, or Firm* — Dickstein Shapiro LLP

(57) **CLAIM**  
The ornamental design for a case, as shown and described.

**DESCRIPTION**

FIG. 1 is a front perspective view of a case showing our new design.  
FIG. 2 is a rear perspective view thereof.  
FIG. 3 is a front view thereof.  
FIG. 4 is a rear view thereof.  
FIG. 5 is a left side view thereof.  
FIG. 6 is a right side view thereof.  
FIG. 7 is a top end view thereof; and,  
FIG. 8 is a bottom end view thereof.  
The portions of the article shown broken away with wavy, parallel, broken cut-off lines indicate that any portion of the article beyond what is shown forms no part of the claimed design.

**1 Claim, 6 Drawing Sheets**



(56)

References Cited

U.S. PATENT DOCUMENTS

D589,486 S 3/2009 He  
 D591,743 S \* 5/2009 Corley et al. .... D14/346  
 D593,746 S 6/2009 Richardson et al.  
 D597,301 S 8/2009 Richardson et al.  
 D600,908 S 9/2009 Richardson et al.  
 7,609,512 B2 10/2009 Richardson et al.  
 D603,602 S 11/2009 Richardson et al.  
 D603,603 S 11/2009 Laine et al.  
 D605,850 S 12/2009 Richardson et al.  
 D609,463 S 2/2010 Bullen  
 D609,900 S 2/2010 Behar et al.  
 7,663,879 B2 2/2010 Richardson et al.  
 D611,339 S \* 3/2010 Mchatet ..... D9/415  
 D616,361 S 5/2010 Huang  
 D625,283 S 10/2010 Okada et al.  
 D625,698 S 10/2010 Miyazaki et al.  
 D626,538 S \* 11/2010 Brown et al. .... D14/250  
 D633,458 S \* 3/2011 Jinkinson et al. .... D14/138 AA  
 D635,555 S 4/2011 Giles  
 D642,170 S 7/2011 Johnson et al.  
 D644,216 S \* 8/2011 Richardson et al. .... D14/250  
 8,016,107 B2 9/2011 Emsky  
 D647,519 S 10/2011 Rothbaum et al.  
 D648,301 S 11/2011 Zuffo et al.  
 D654,068 S \* 2/2012 Monaco et al. .... D14/250  
 8,132,670 B1 3/2012 Chen  
 D663,263 S 7/2012 Gupta et al.  
 D665,735 S 8/2012 Kang et al.  
 8,245,843 B1 8/2012 Wu  
 D671,493 S \* 11/2012 Hasbrook et al. .... D13/119  
 D672,344 S \* 12/2012 Li ..... D14/341

D676,844 S \* 2/2013 Weller et al. .... D14/250  
 D677,249 S \* 3/2013 Li et al. .... D14/250  
 8,403,136 B1 \* 3/2013 Tsai ..... 206/320  
 D679,271 S \* 4/2013 Liu ..... D14/250  
 D681,022 S \* 4/2013 Chang et al. .... D14/250  
 D685,778 S \* 7/2013 Fahrendorff et al. .... D14/250  
 D686,199 S \* 7/2013 Fahrendorff et al. .... D14/250  
 D695,735 S \* 12/2013 Kitchen et al. .... D14/341  
 2005/0247584 A1 11/2005 Lu  
 2008/0012383 A1 1/2008 Larson  
 2008/0316687 A1 12/2008 Richardson et al.  
 2009/0009945 A1 1/2009 Johnson et al.  
 2009/0050499 A1 2/2009 Calco et al.  
 2009/0080153 A1 3/2009 Richardson et al.  
 2009/0111543 A1 4/2009 Tai et al.  
 2009/0186264 A1 \* 7/2009 Huang ..... 429/96  
 2010/0008028 A1 1/2010 Richardson et al.  
 2010/0224519 A1 \* 9/2010 Kao ..... 206/320  
 2011/0036876 A1 2/2011 Fathollahi  
 2012/0013295 A1 \* 1/2012 Yeh ..... 320/108

OTHER PUBLICATIONS

Cult of Mac, iPhone 5 Cases Available from Incase, Otterbox, Incipop and Others [Roundup], by Alex Heath, posted Sep. 17, 2012, <<http://www.cultofmac.com/191189/iphone-5-cases-available-from-incase-otterbox-incipio-and-others-roundup/>>, retrieved from internet on Jan. 6, 2014.\*  
 CaseReview.com, Incase Snap Stand iPhone Case Review, by iCaseReview.com Editor, posted Jan. 10, 2012, <<http://www.icasereview.com/incase-snap-stand-review/>>, retrieved from internet on Jan. 6, 2014.\*

\* cited by examiner

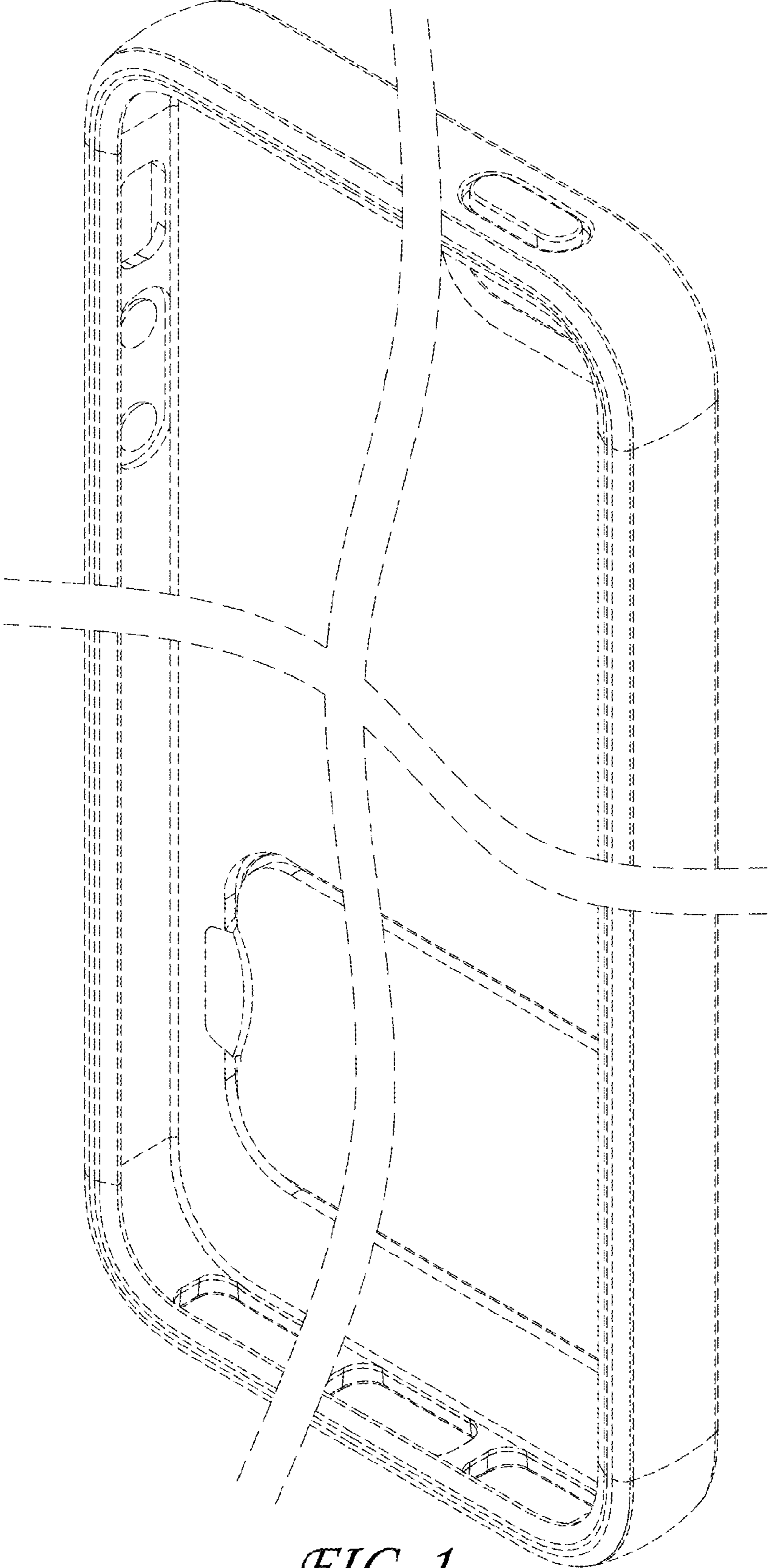


FIG. 1

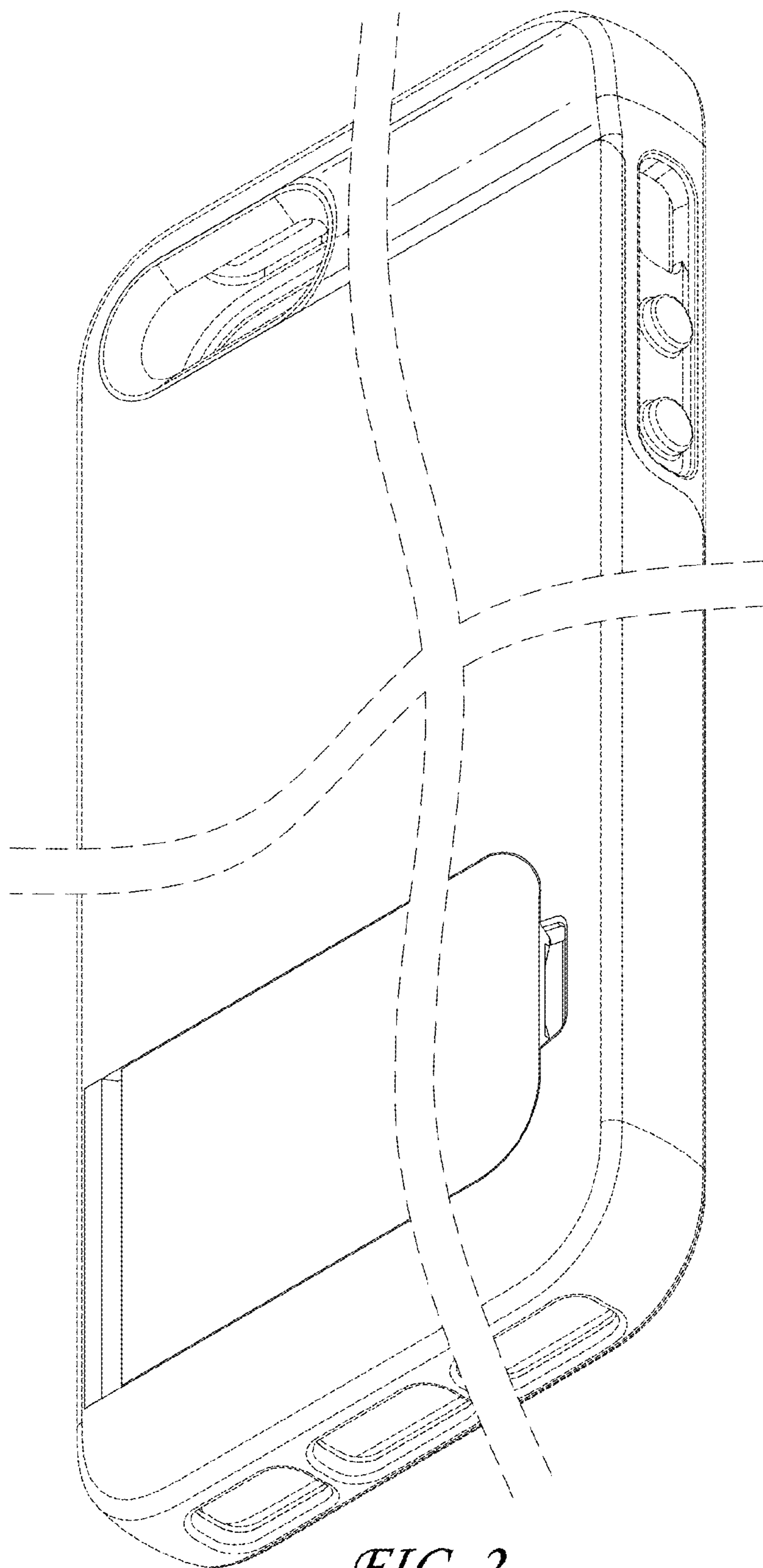


FIG. 2

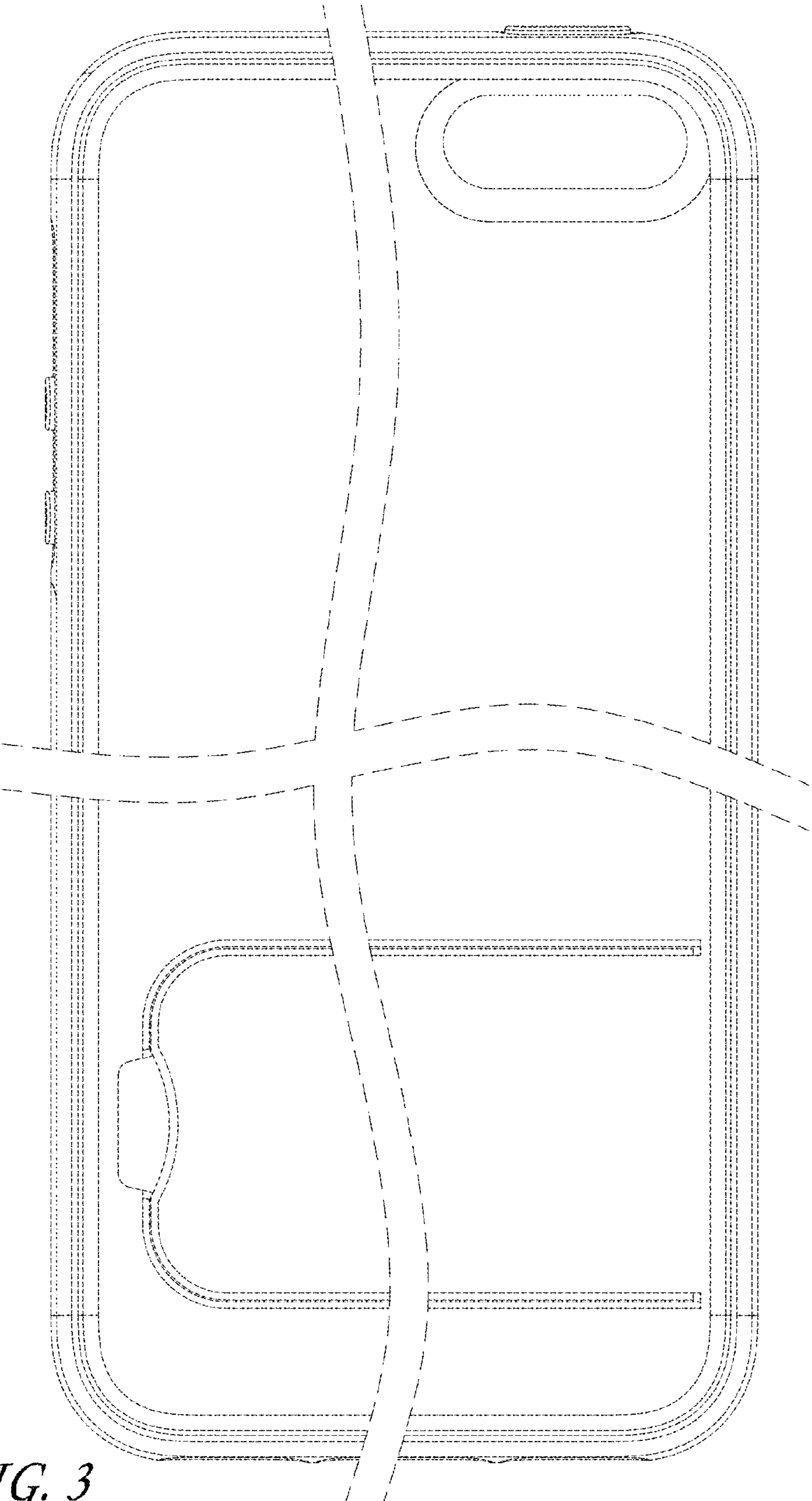


FIG. 3

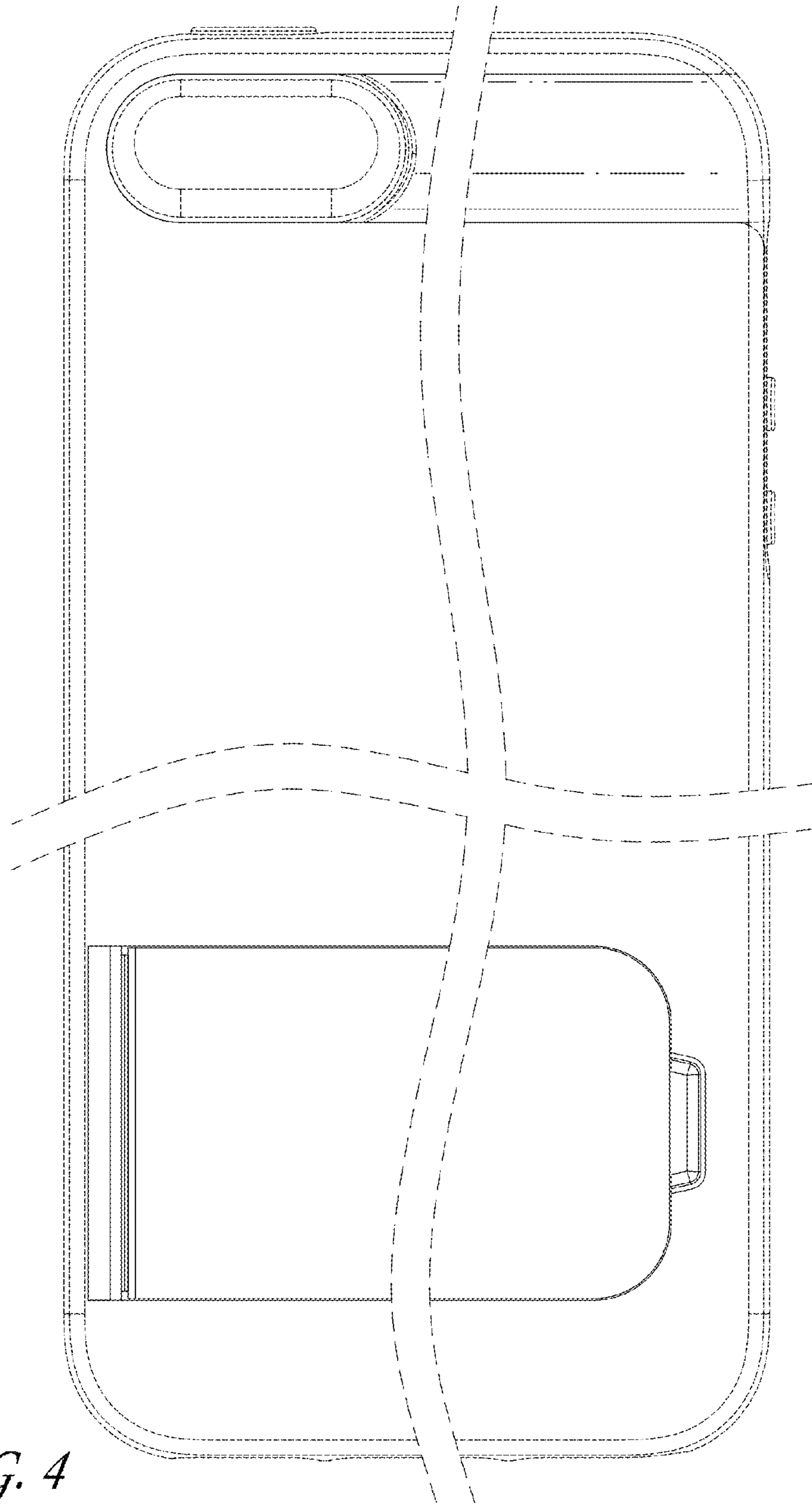
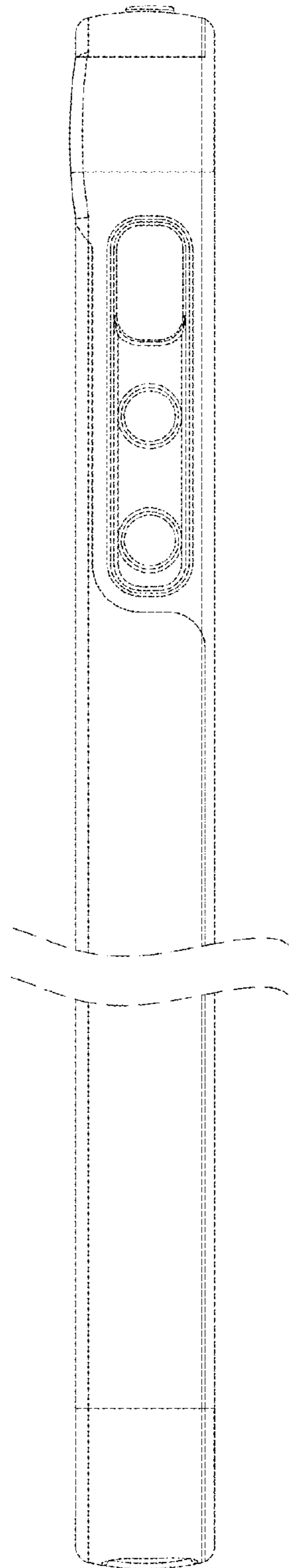
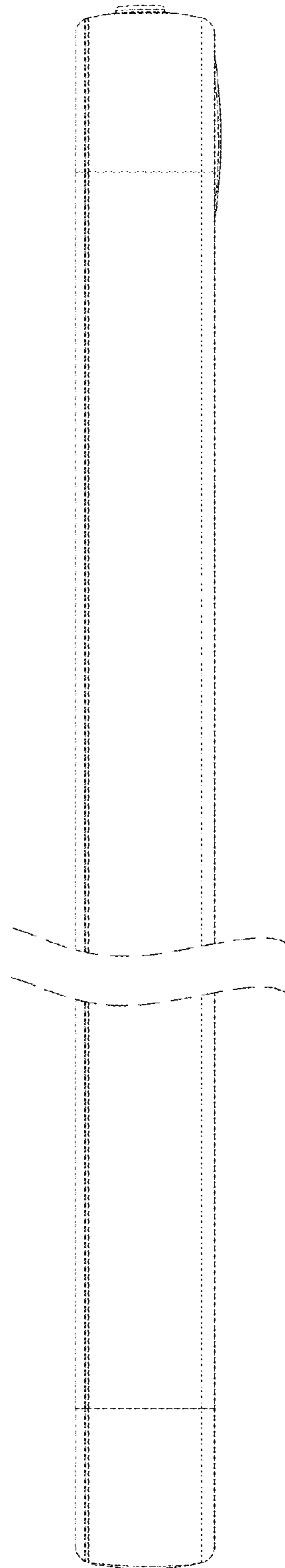


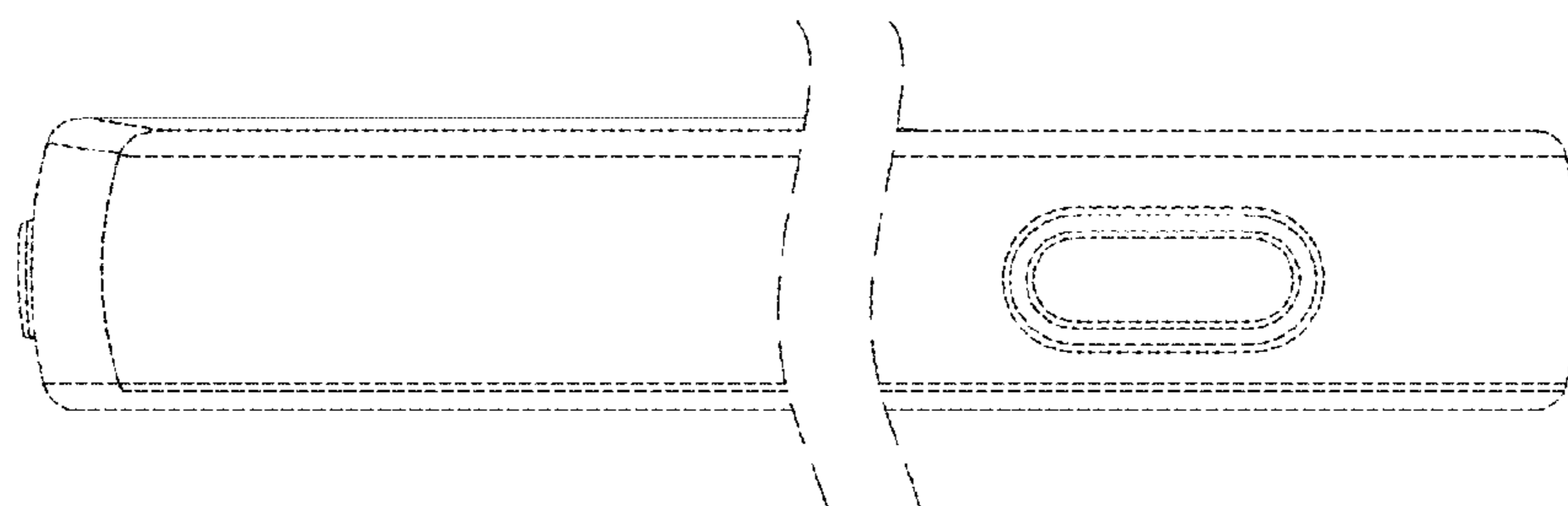
FIG. 4



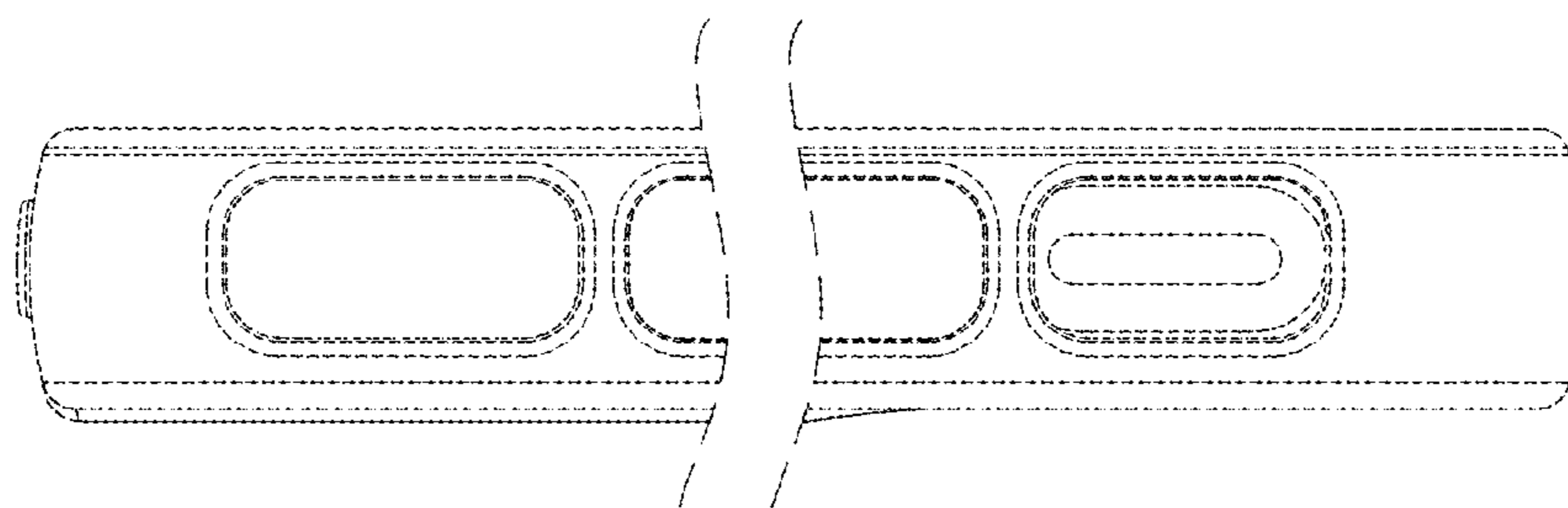
*FIG. 5*



*FIG. 6*



*FIG. 7*



*FIG. 8*