



US00D717776S

(12) **United States Design Patent**
Hemesath

(10) **Patent No.:** **US D717,776 S**
(45) **Date of Patent:** **** Nov. 18, 2014**

- (54) **CASE**
- (71) Applicant: **Incipio Technologies, Inc.**, Irvine, CA (US)
- (72) Inventor: **Timothy Alan Hemesath**, Huntington Beach, CA (US)
- (73) Assignee: **Incipio Technologies, Inc.**, Irvine, CA (US)
- (**) Term: **14 Years**
- (21) Appl. No.: **29/432,911**
- (22) Filed: **Sep. 21, 2012**
- (51) **LOC (10) Cl.** **14-03**
- (52) **U.S. Cl.**
USPC **D14/250**
- (58) **Field of Classification Search**
USPC D14/138 G, 138 AD, 138 AB, 138 AA, D14/203.8, 203.5, 250, 251, 252, 253, 217, D14/496, 440, 346, 248, 238.1, 137, 356; D3/218, 215, 201, 247, 269, 273, 301, D3/303; 220/4.02; 361/679.56; 455/575.1, 455/575.8; 206/305, 320, 251, 45.2
See application file for complete search history.

- 7,097,233 B2 8/2006 Sogame et al.
- D529,713 S 10/2006 Guyot et al.
- D543,541 S 5/2007 Chung et al.
- 7,261,204 B2 8/2007 Zaidi et al.
- D553,352 S 10/2007 Allen
- D559,826 S 1/2008 Lee
- D560,911 S 2/2008 Hackbart et al.
- D561,986 S 2/2008 Horne et al.
- D562,794 S 2/2008 Kim et al.
- D580,442 S 11/2008 Kim et al.
- D591,262 S 4/2009 Ko et al.
- D591,753 S 5/2009 Nakano et al.
- D609,226 S 2/2010 Hofer et al.
- D611,042 S 3/2010 Ferrari et al.
- D620,931 S 8/2010 Opman
- D622,692 S 8/2010 McWilliam et al.
- D623,180 S * 9/2010 Diebel D14/250
- D624,114 S 9/2010 Ausems et al.
- D624,115 S 9/2010 Ausems et al.
- D625,283 S 10/2010 Okada et al.
- D625,698 S 10/2010 Miyazaki et al.

(Continued)

Primary Examiner — Deanna L Pratt
Assistant Examiner — Lilyana Bekic
(74) *Attorney, Agent, or Firm* — Dickstein Shapiro LLP

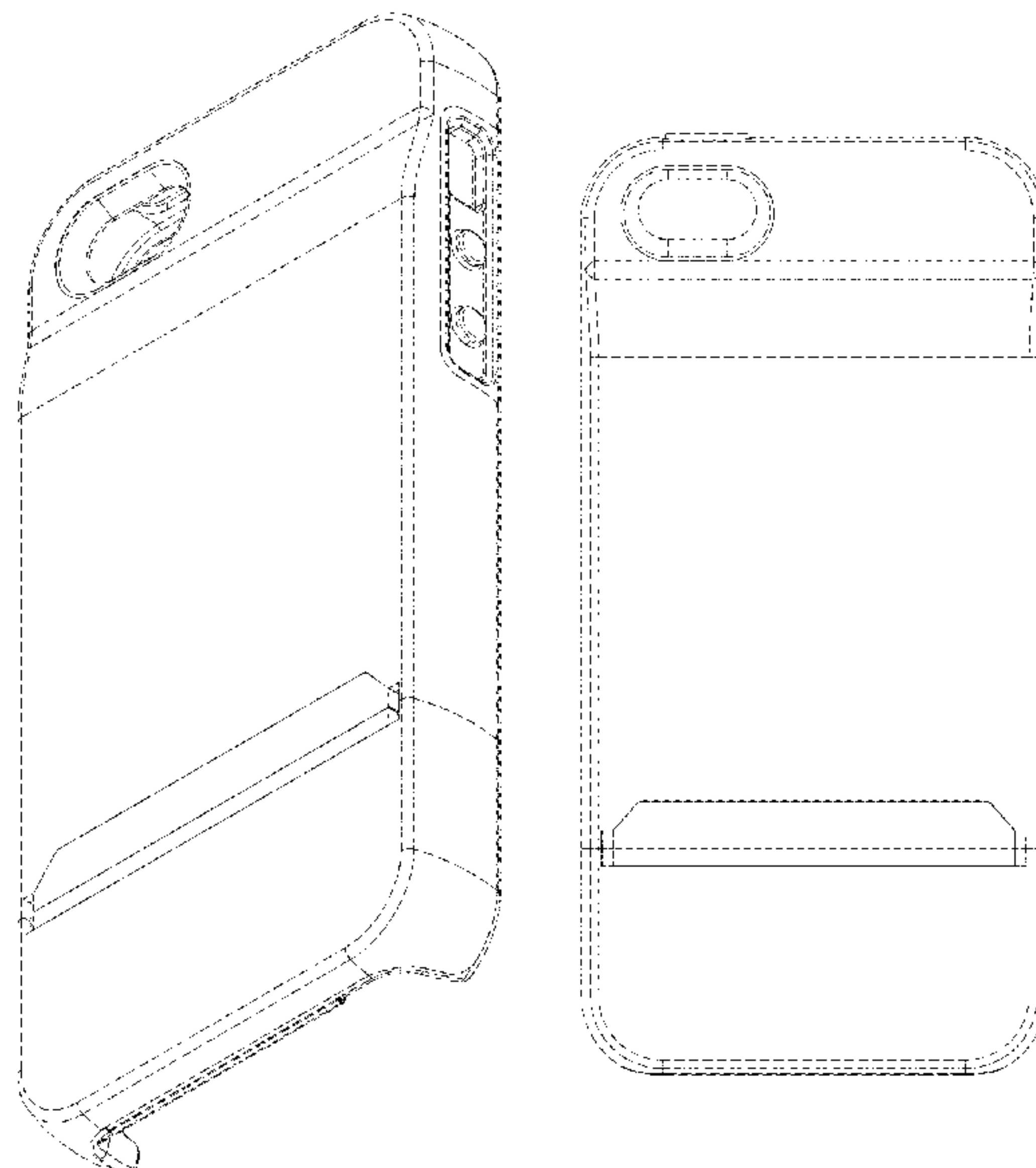
(57) **CLAIM**
The ornamental design for a case, as shown and described.

DESCRIPTION

FIG. 1 is a front perspective view of a case.
FIG. 2 is a rear perspective view thereof.
FIG. 3 is a front view thereof.
FIG. 4 is a rear view thereof.
FIG. 5 is a left side view thereof.
FIG. 6 is a right side view thereof.
FIG. 7 is a top end view thereof; and,
FIG. 8 is a bottom end view thereof.
The broken lines in the drawings illustrate portions of the case which form no part of the claimed design.

1 Claim, 6 Drawing Sheets

- (56) **References Cited**
U.S. PATENT DOCUMENTS
- 4,845,863 A 7/1989 Yung-Mao
- D337,435 S 7/1993 Kaneko et al.
- D368,369 S 4/1996 Pease
- D371,137 S 6/1996 Kriegh
- D387,199 S 12/1997 Nagele et al.
- 6,519,141 B2 2/2003 Tseng et al.
- D489,162 S 5/2004 Dings-Plooij
- D498,759 S 11/2004 Lewis
- 6,854,412 B1 2/2005 Courson et al.
- 6,866,266 B1 3/2005 Thorne
- 6,938,899 B2 9/2005 Kenney et al.



(56)

References Cited

U.S. PATENT DOCUMENTS

D634,313 S 3/2011 Fitzpatrick et al.
D635,555 S 4/2011 Giles
8,016,107 B2 9/2011 Emsky
D649,144 S 11/2011 Fathollahi
D651,204 S * 12/2011 Wibby et al. D14/250
D654,069 S 2/2012 Kwon et al.
8,132,670 B1 3/2012 Chen
D665,762 S 8/2012 Fujimura et al.

8,245,843 B1 8/2012 Wu
D668,246 S 10/2012 Fathollahi
D669,458 S * 10/2012 Wilson et al. D14/250
D670,689 S * 11/2012 Wang D14/250
D685,358 S * 7/2013 Armstrong et al. D14/250
D686,607 S * 7/2013 Hong D14/250
D697,904 S * 1/2014 Wicks et al. D14/250
D700,598 S * 3/2014 Kim D14/250
D703,646 S * 4/2014 Fathollahi D14/250
D707,671 S * 6/2014 Paugh et al. D14/250
2010/0051712 A1 3/2010 Lebeck

* cited by examiner

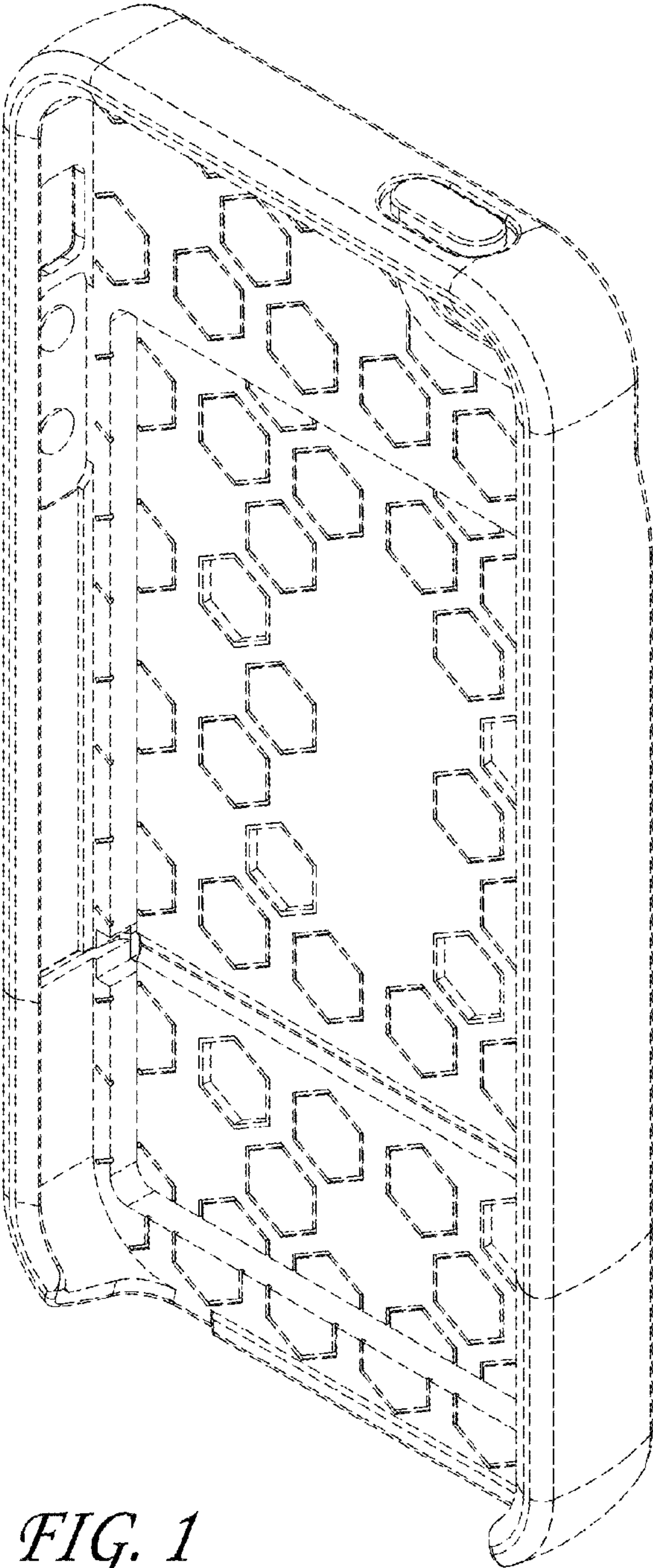


FIG. 1

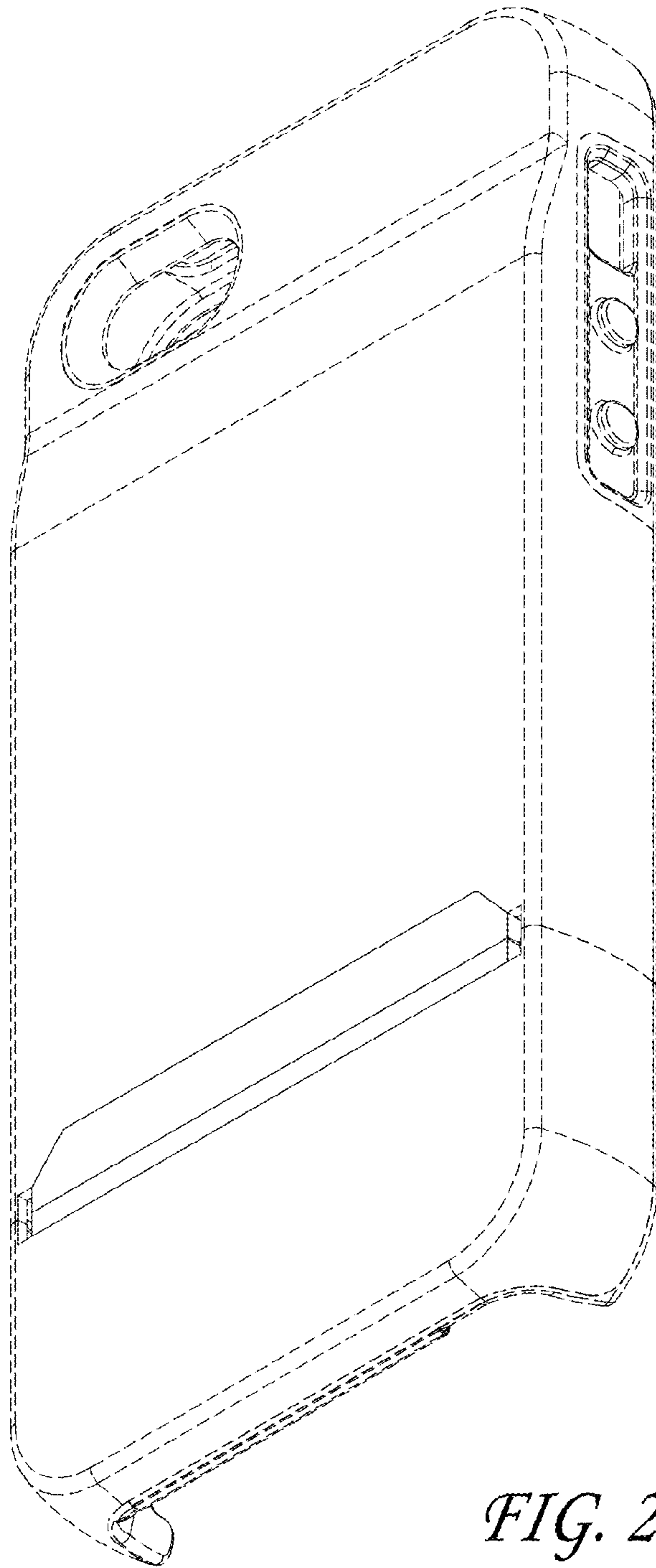


FIG. 2

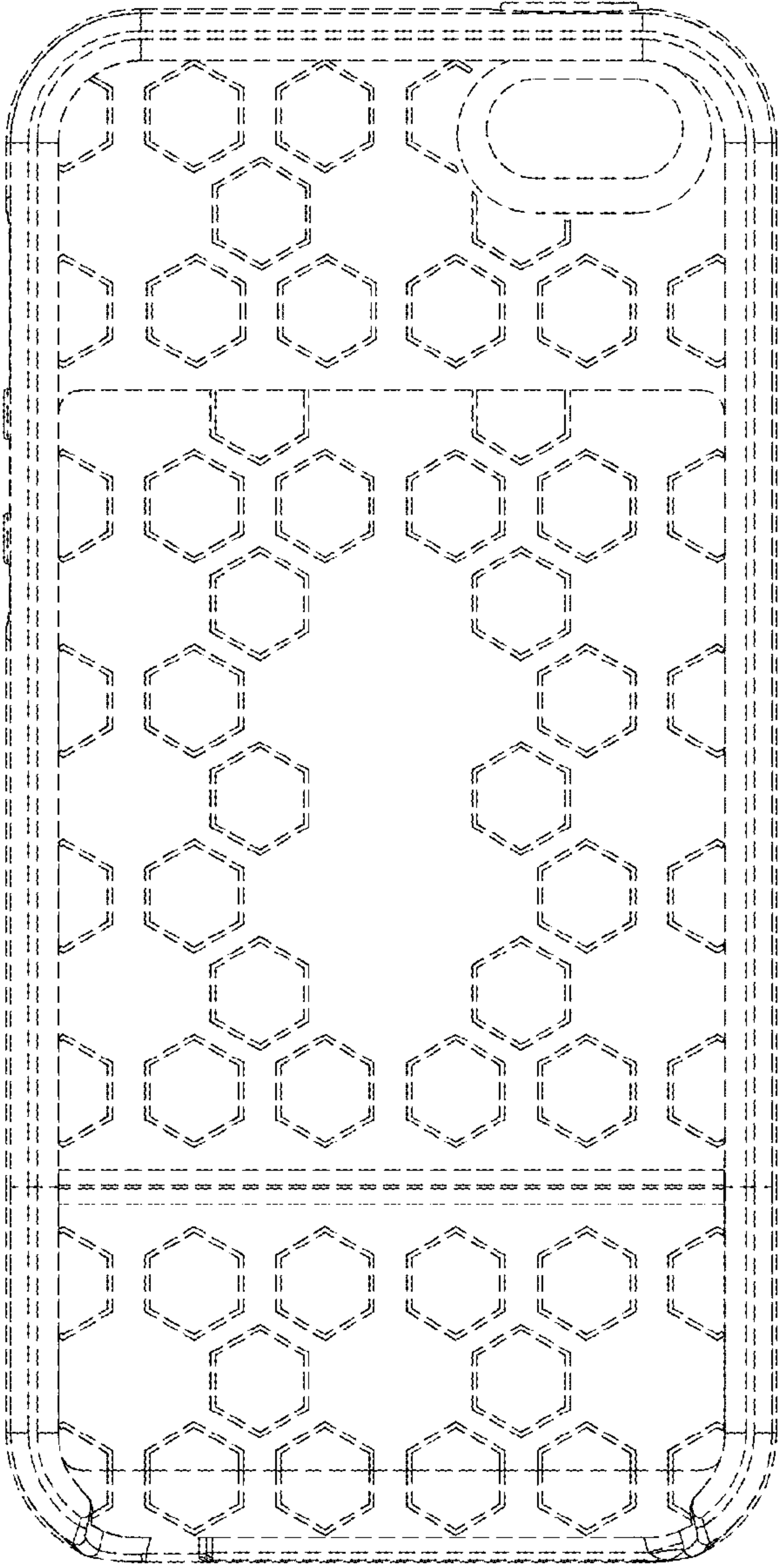


FIG. 3

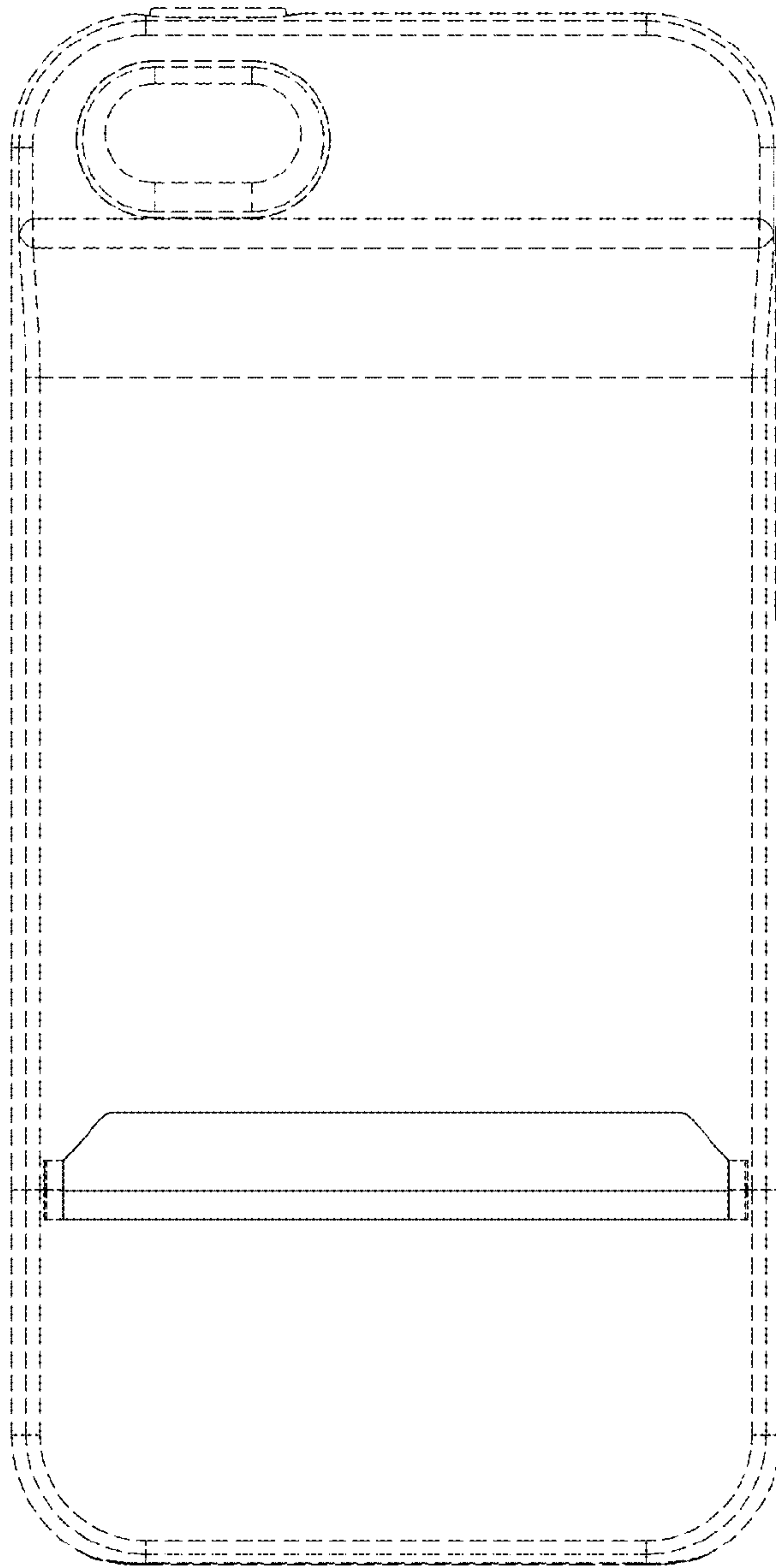


FIG. 4

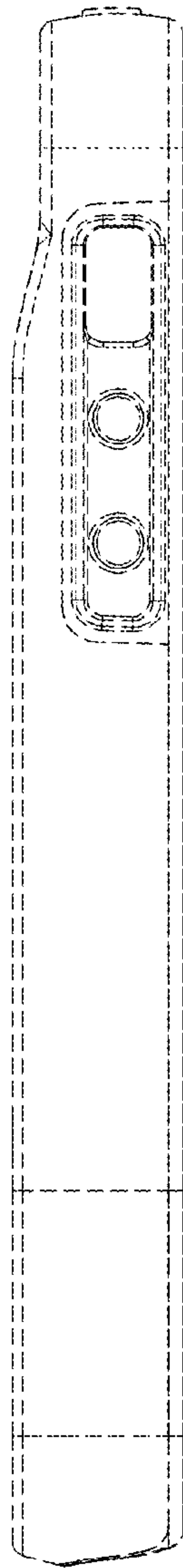


FIG. 5



FIG. 6

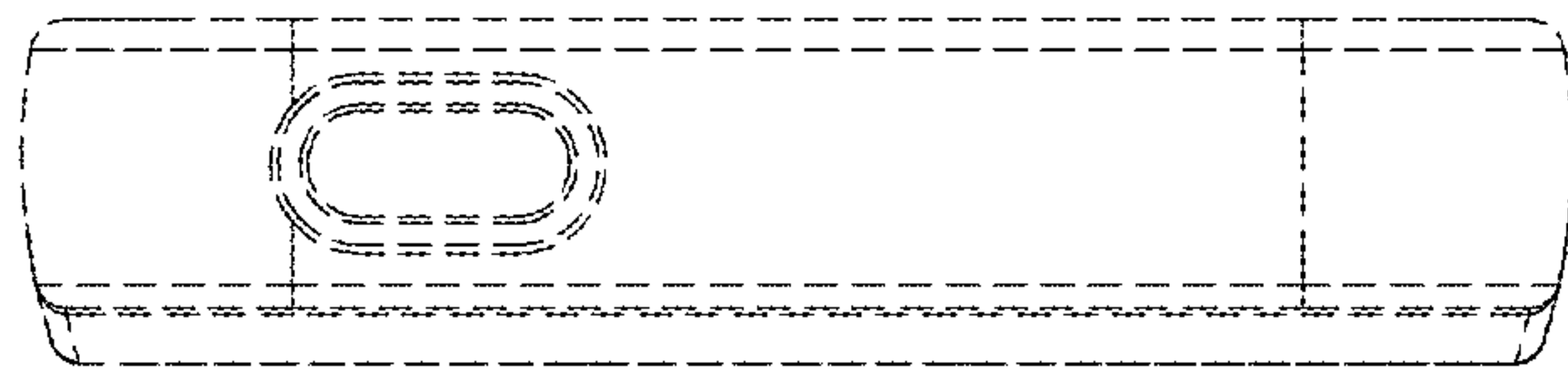


FIG. 7

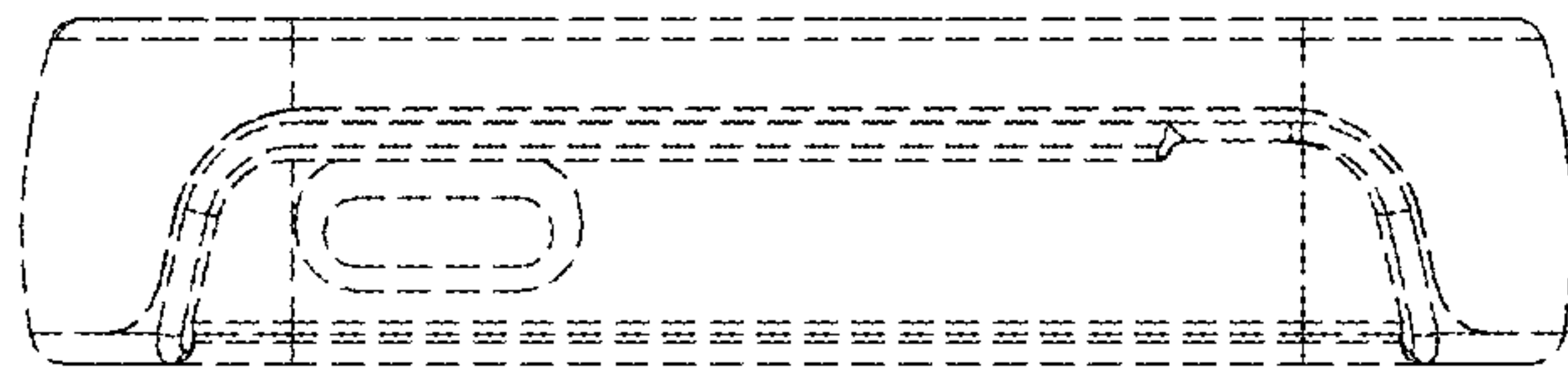


FIG. 8