



US00D717772S

(12) **United States Design Patent**
Yang

(10) **Patent No.:** **US D717,772 S**

(45) **Date of Patent:** **** Nov. 18, 2014**

(54) **EARPHONE**

(71) Applicant: **Bill Yang**, Taipei (TW)

(72) Inventor: **Bill Yang**, Taipei (TW)

(73) Assignee: **Cotron Corporation**, Taipei (TW)

(**) Term: **14 Years**

(21) Appl. No.: **29/477,682**

(22) Filed: **Dec. 25, 2013**

(51) **LOC (10) Cl.** **14-01**

(52) **U.S. Cl.**
USPC **D14/223**

(58) **Field of Classification Search**
CPC H04R 1/1016
USPC D14/223, 205; 181/129, 130, 135;
379/430, 431; 381/380, 381; 455/90.3,
455/575.1

See application file for complete search history.

(56) **References Cited**

U.S. PATENT DOCUMENTS

D531,169 S *	10/2006	Tokioka et al.	D14/223
D549,688 S *	8/2007	Suzuki	D14/205
D554,627 S *	11/2007	Gondo	D14/223
D587,681 S *	3/2009	Yanai	D14/205
D600,675 S *	9/2009	Lee et al.	D14/205
D606,971 S *	12/2009	Christopher et al.	D14/205
D626,117 S *	10/2010	Lowry	D14/223
D635,957 S *	4/2011	Hirano et al.	D14/205
D642,163 S *	7/2011	Lee et al.	D14/223
D643,833 S *	8/2011	Lee et al.	D14/223
D647,081 S *	10/2011	Kwon	D14/223
D664,951 S *	8/2012	Ang et al.	D14/223
D673,522 S *	1/2013	Iijima	D14/205

D678,251 S *	3/2013	Cantoni et al.	D14/223
8,391,536 B2 *	3/2013	Hashimoto	381/380
D680,102 S *	4/2013	Chen	D14/223
D690,685 S *	10/2013	Iacovelli et al.	D14/223
D697,058 S *	1/2014	Thompson et al.	D14/223
D698,750 S *	2/2014	Yoon	D14/206
D701,196 S *	3/2014	Kelly et al.	D14/223
D702,667 S *	4/2014	Yang	D14/223
D703,192 S *	4/2014	Yang	D14/223
D710,334 S *	8/2014	Yang	D14/223
D711,858 S *	8/2014	Yang	D14/223
8,831,266 B1 *	9/2014	Huang	381/380

* cited by examiner

Primary Examiner — Paula Greene

(74) *Attorney, Agent, or Firm* — Jianq Chyun IP Office

(57) **CLAIM**

The ornamental design for an earphone, as shown and described.

DESCRIPTION

FIG. 1 is a perspective view of an earphone showing my new design;

FIG. 2 is another perspective view thereof;

FIG. 3 is another perspective view thereof;

FIG. 4 is another perspective view thereof;

FIG. 5 is a front view thereof;

FIG. 6 is a rear view thereof;

FIG. 7 is a left side view thereof;

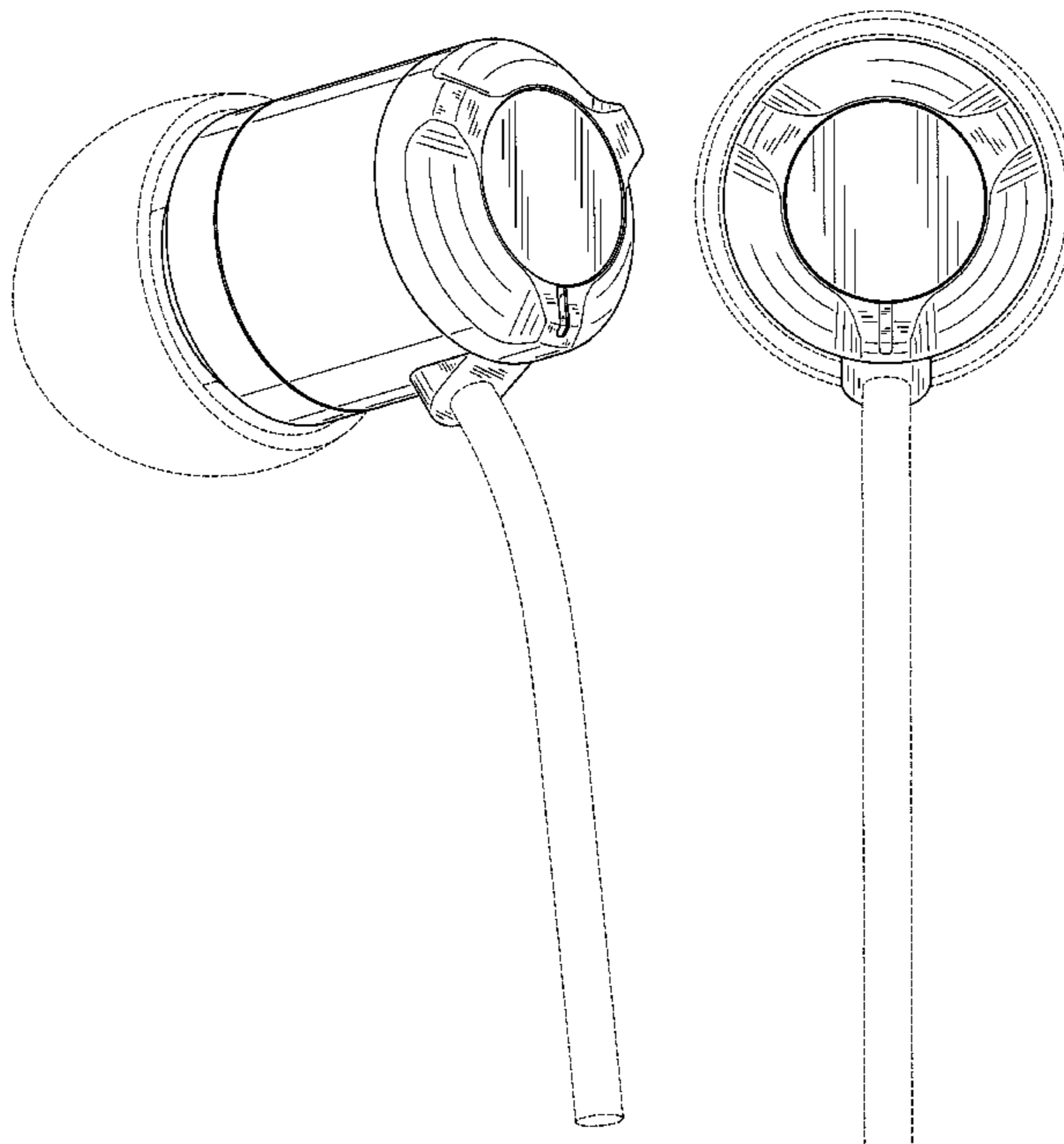
FIG. 8 is a right side view thereof;

FIG. 9 is a top view thereof; and,

FIG. 10 is a bottom view thereof.

The broken line portions of the earphone in FIGS. 1-10 represent unclaimed portions of the claimed design and form no part thereof.

1 Claim, 10 Drawing Sheets



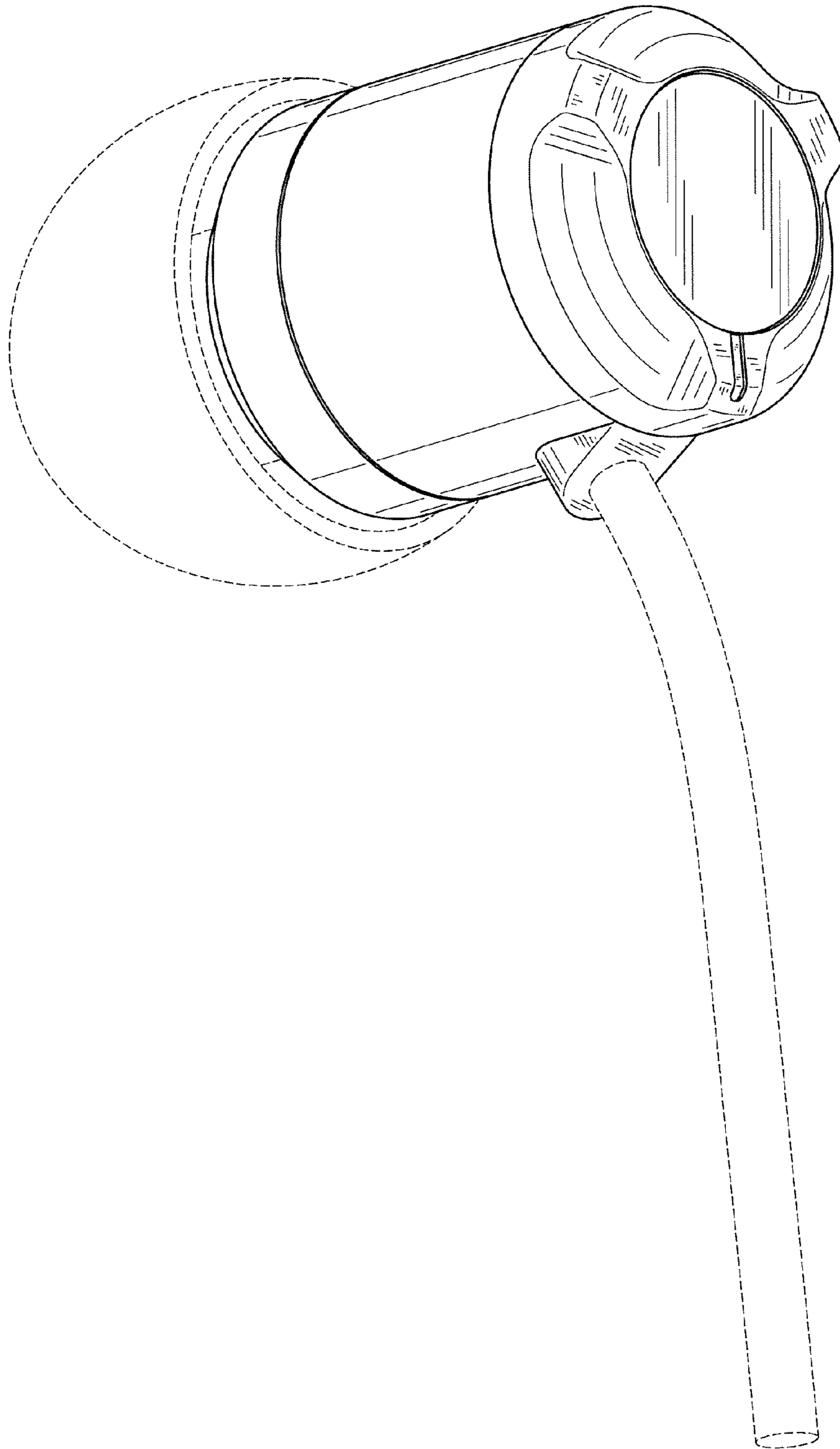


FIG. 1

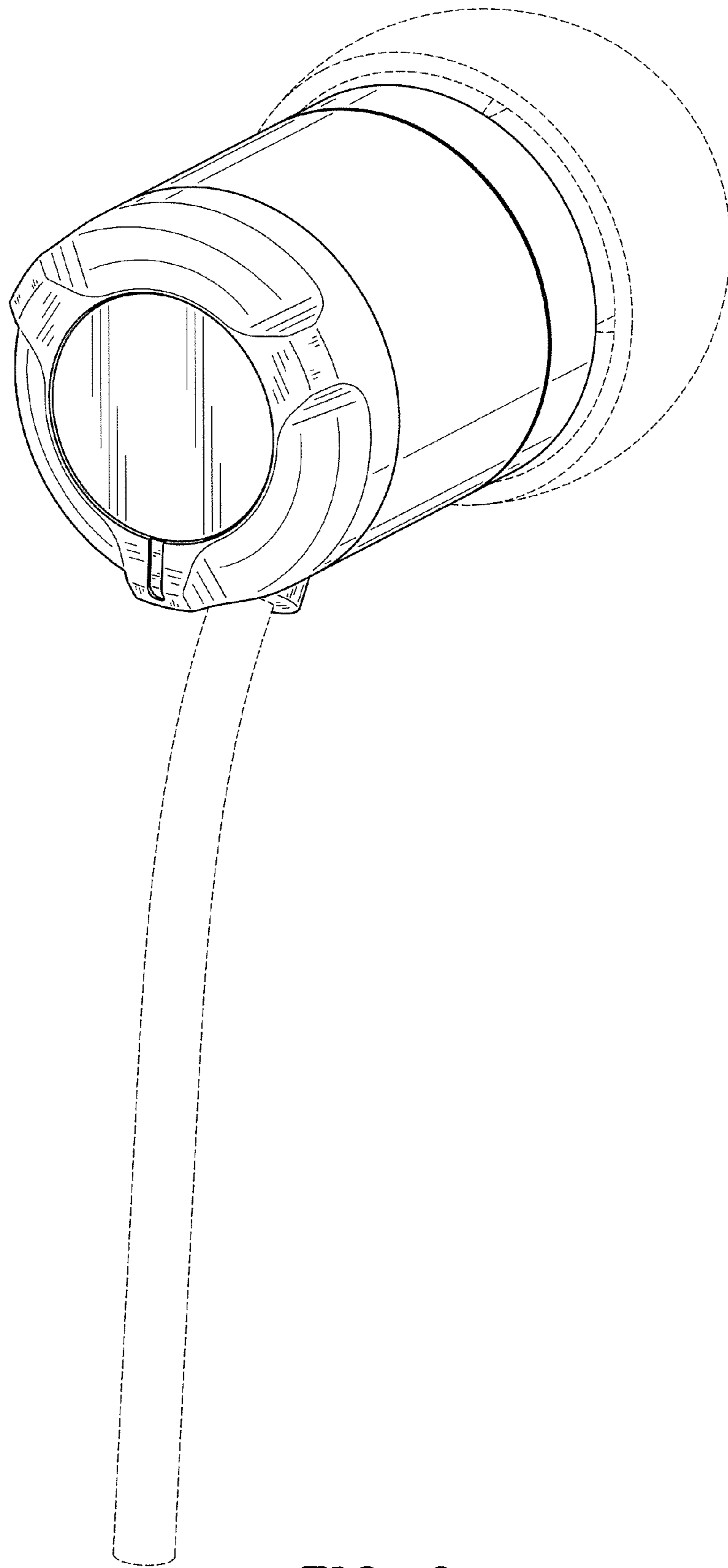


FIG. 2

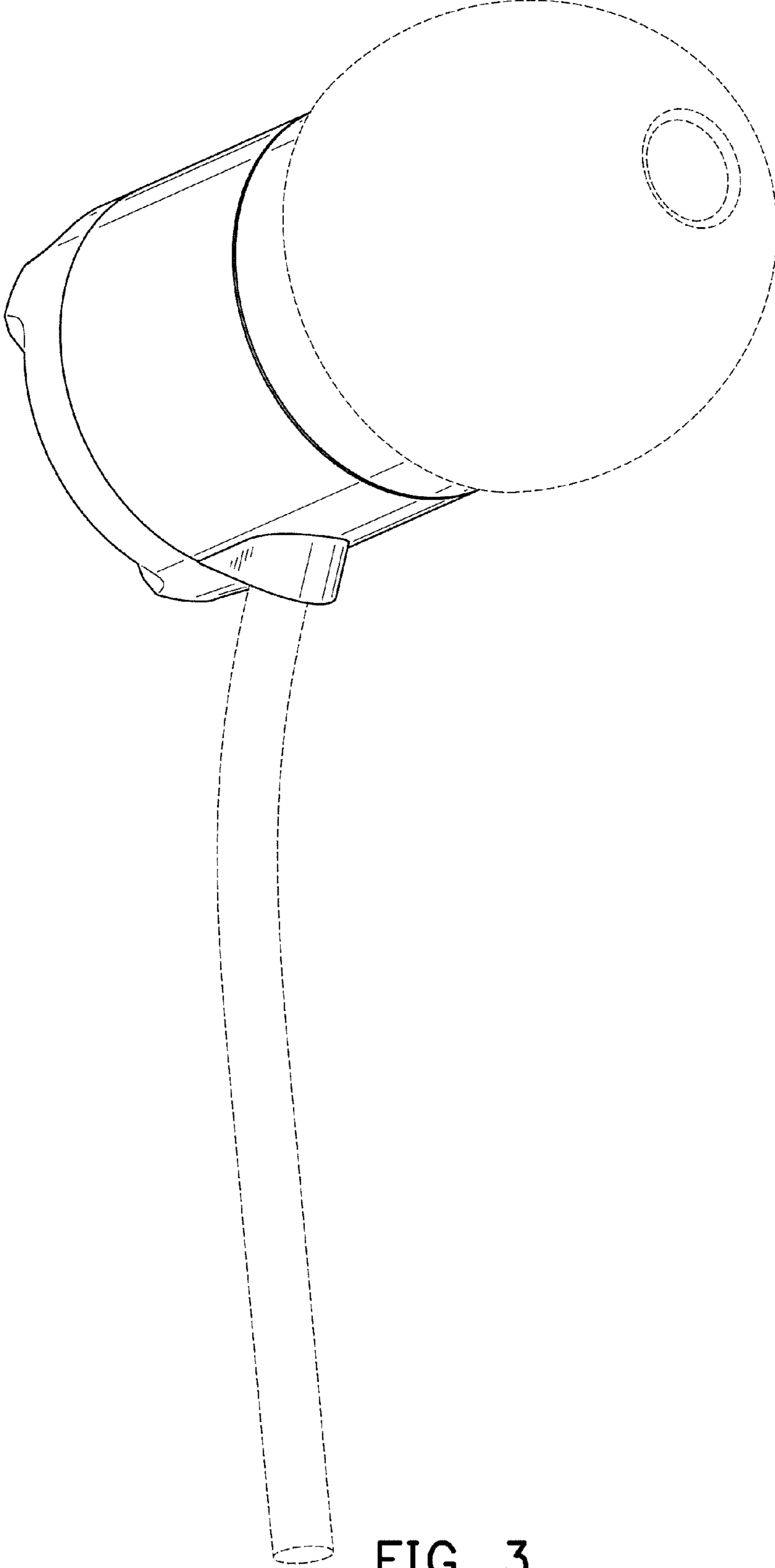


FIG. 3

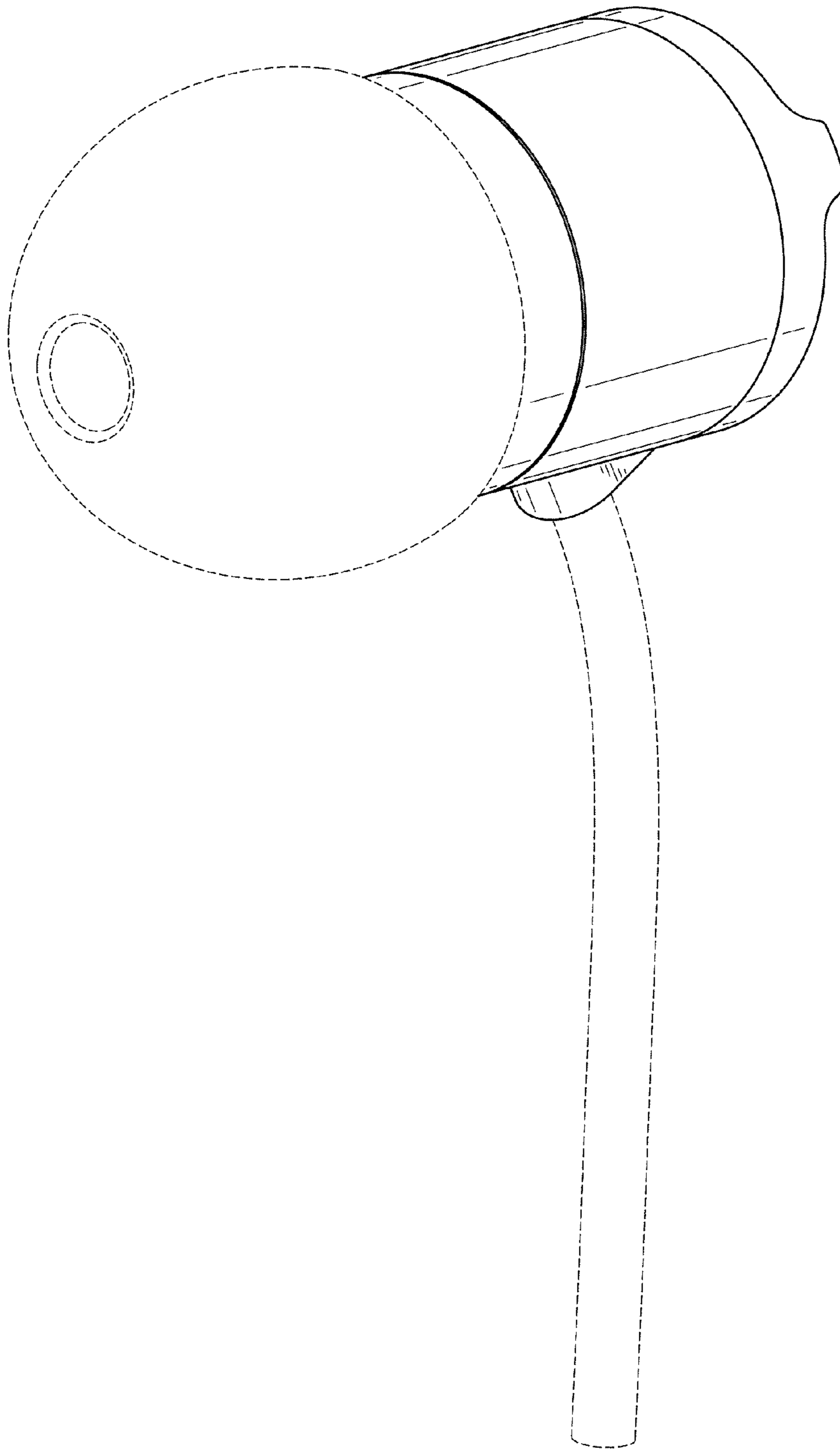


FIG. 4

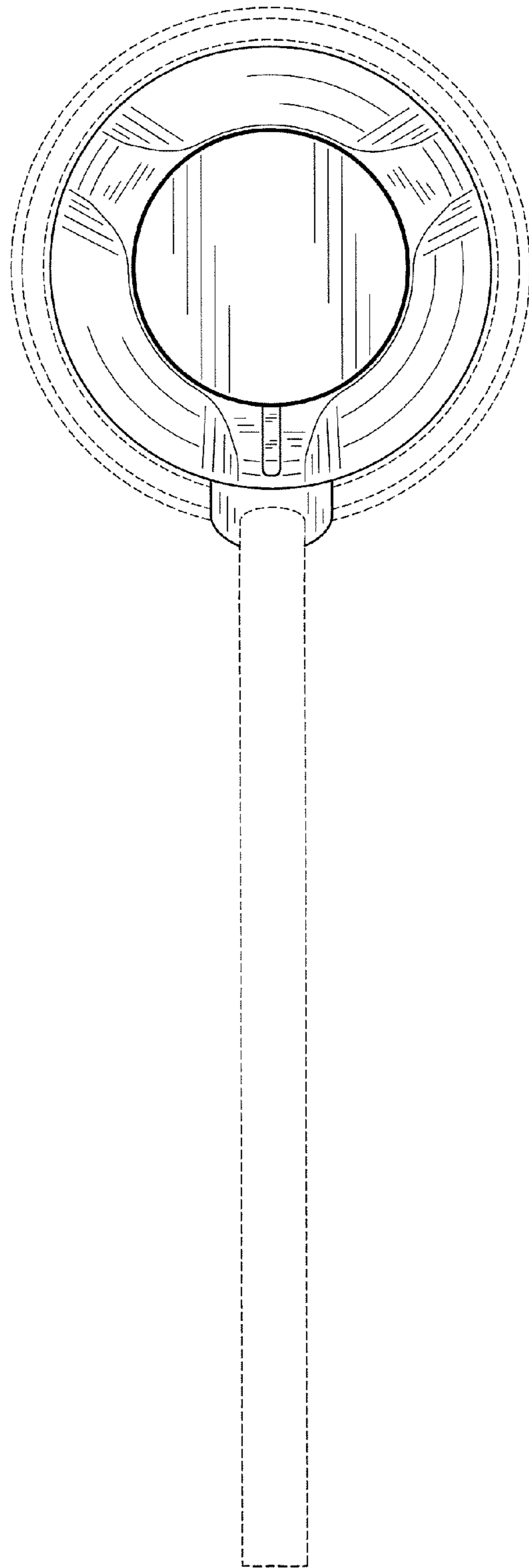


FIG. 5

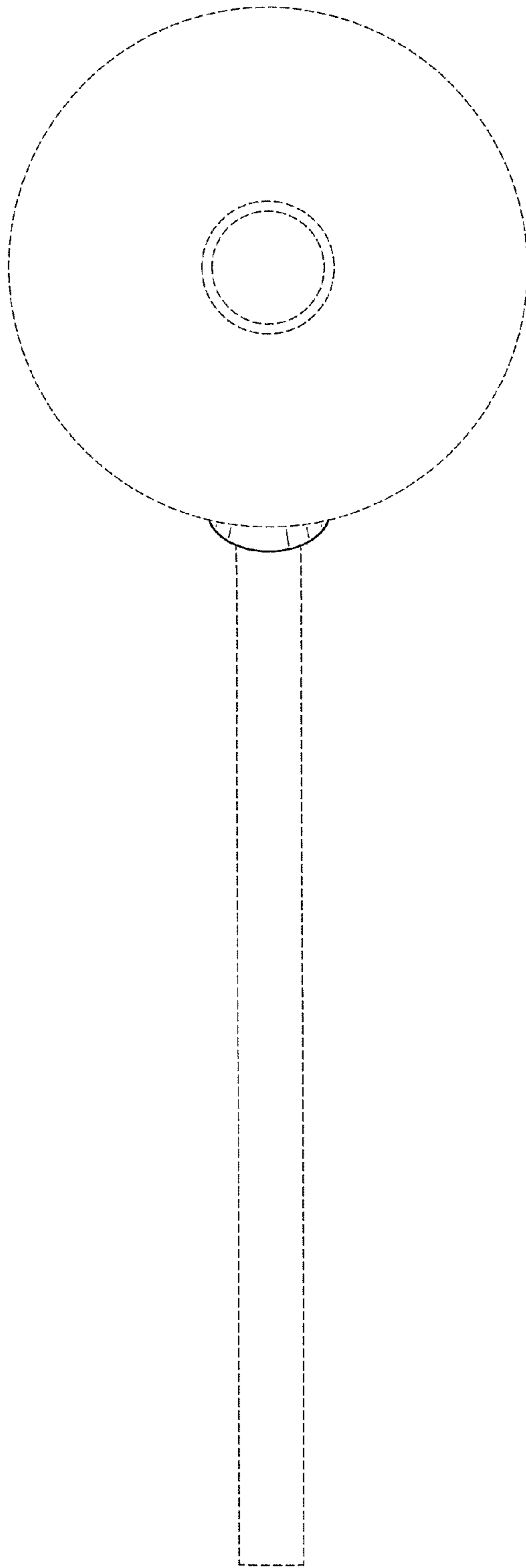


FIG. 6

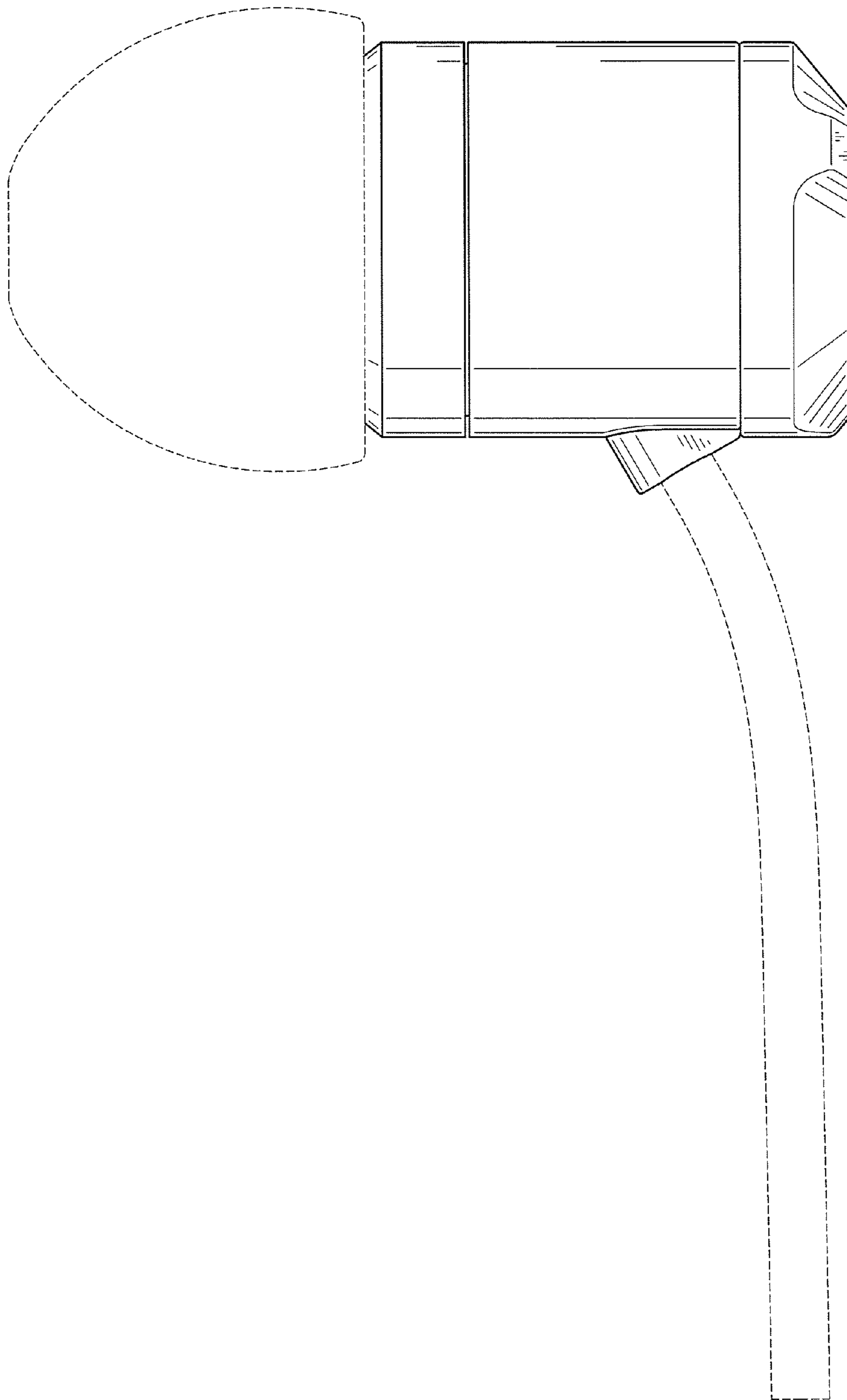


FIG. 7

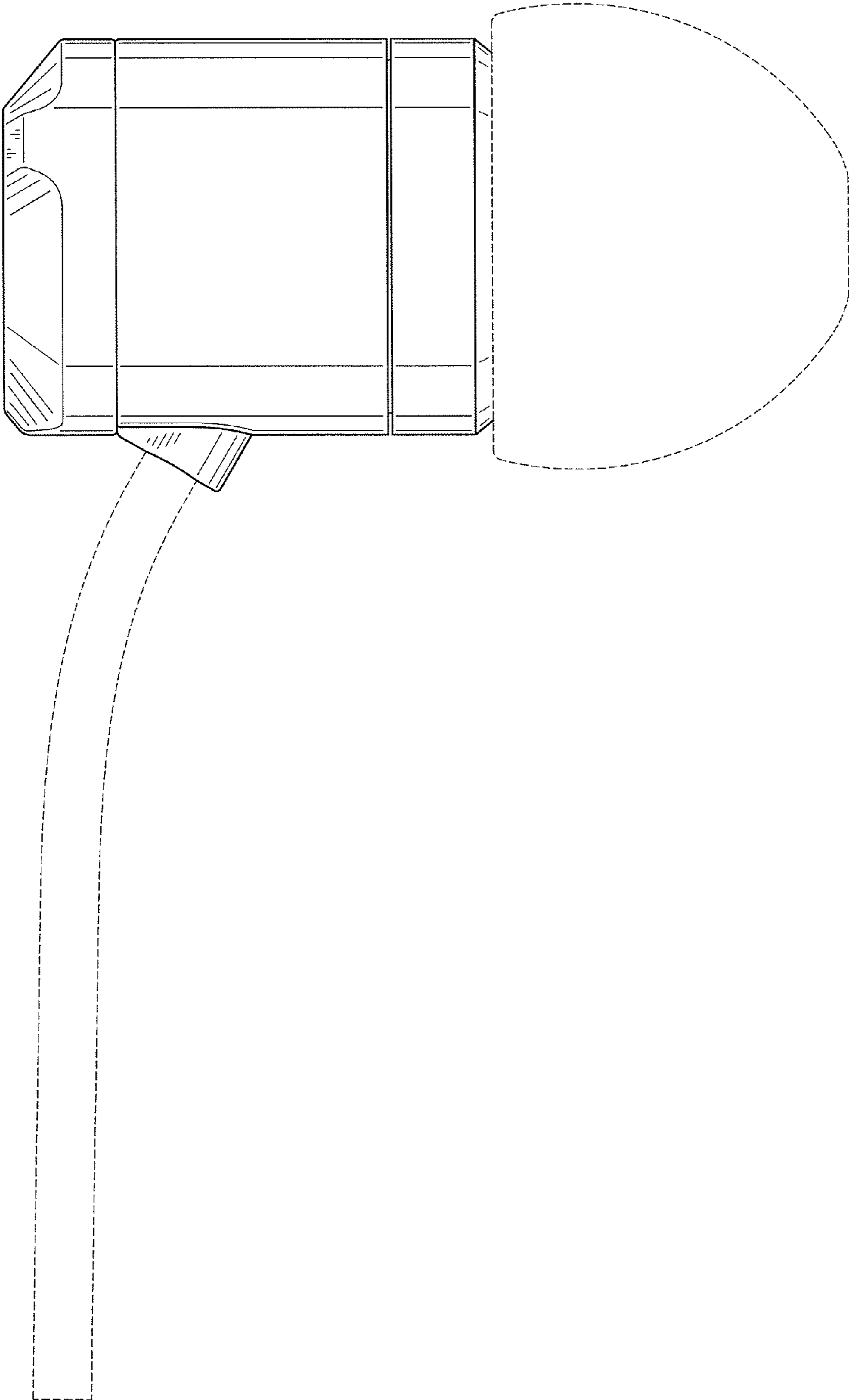


FIG. 8

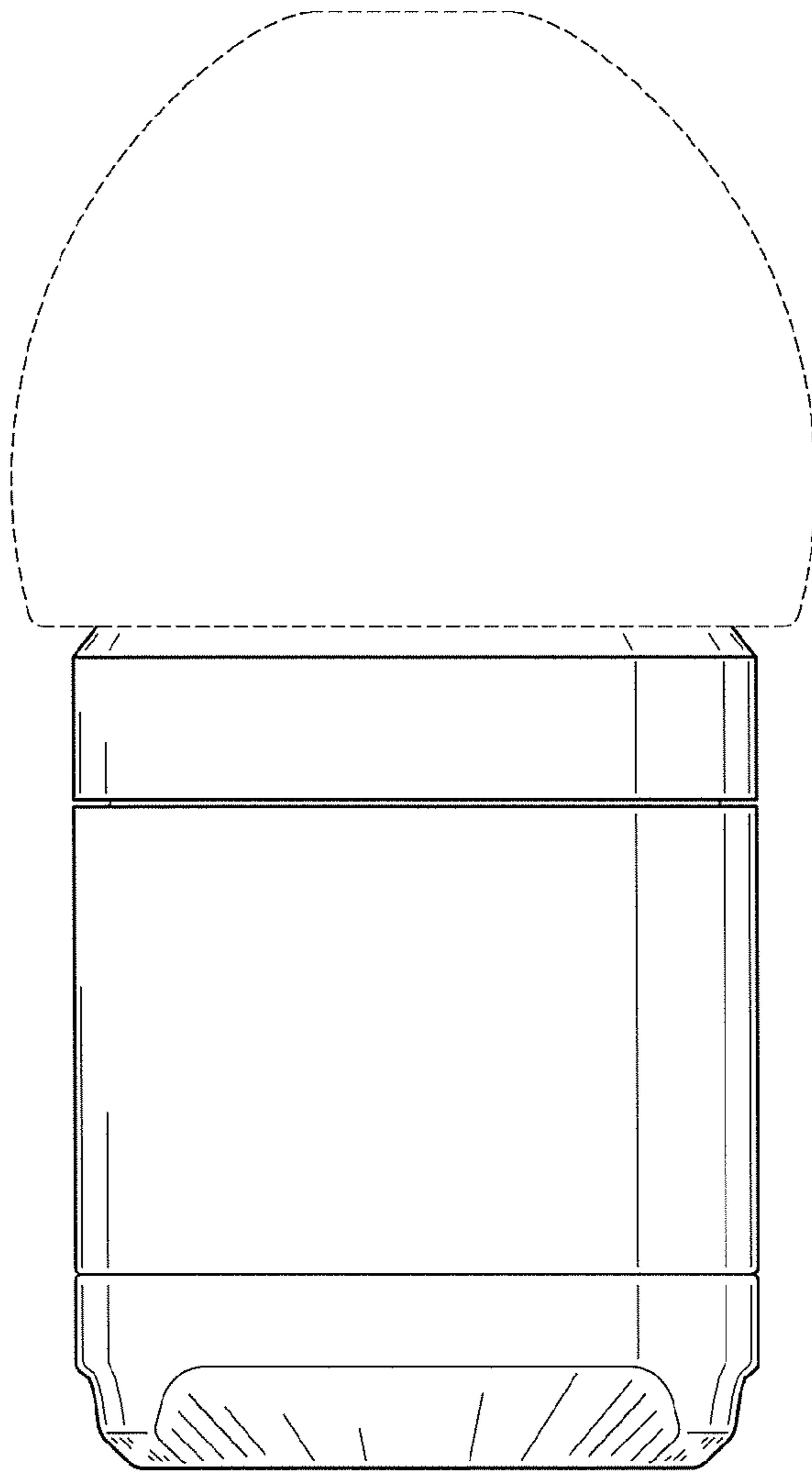


FIG. 9

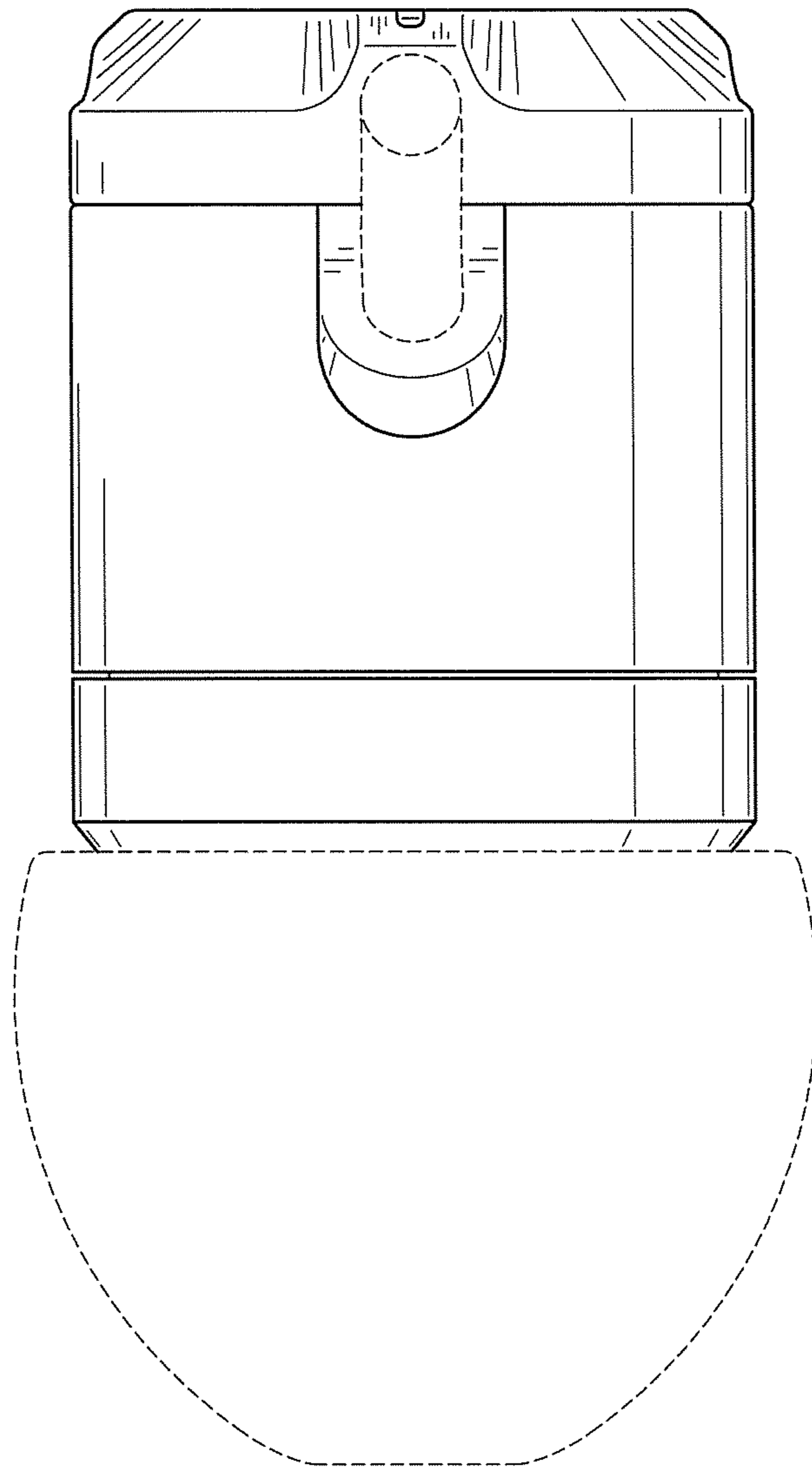


FIG. 10