

US00D717771S

(12) **United States Design Patent**
Harper et al.

(10) **Patent No.:** **US D717,771 S**

(45) **Date of Patent:** **** Nov. 18, 2014**

(54) **EAR TIP FOR A COMMUNICATIONS HEADSET**

(71) Applicant: **Plantronics, Inc.**, Santa Cruz, CA (US)

(72) Inventors: **Pierre Harper**, Santa Cruz, CA (US);
Stann N Sheperd, Santa Cruz, CA (US);
Jacob T Meyberg, Santa Cruz, CA (US);
Matthew J Mainini, Santa Cruz, CA (US)

(73) Assignee: **Plantronics, Inc.**, Santa Cruz, CA (US)

(**) Term: **14 Years**

(21) Appl. No.: **29/466,393**

(22) Filed: **Sep. 6, 2013**

(51) **LOC (10) Cl.** **14-01**

(52) **U.S. Cl.**
USPC **D14/223**

(58) **Field of Classification Search**
CPC H04R 25/00
USPC D14/205, 223; 181/129, 130, 135;
379/430, 431; 381/380, 381, 370, 385,
381/371; 455/90.3, 575.1
See application file for complete search history.

(56) **References Cited**

U.S. PATENT DOCUMENTS

D321,881 S *	11/1991	Hopewell	D14/192
D350,961 S *	9/1994	Nakamura	D14/205
5,712,453 A *	1/1998	Bungardt et al.	181/135
D464,638 S *	10/2002	Huang	D14/205
D469,755 S *	2/2003	Hlas et al.	D14/223
D470,122 S *	2/2003	Hlas et al.	D14/205

D470,123 S *	2/2003	Hlas et al.	D14/205
D543,972 S *	6/2007	Taylor	D14/223
D564,500 S *	3/2008	Wang	D14/223
D581,900 S	12/2008	Caddes et al.		
D584,293 S *	1/2009	Kim et al.	D14/223
D584,720 S *	1/2009	Houy	D14/223
D597,534 S *	8/2009	Christopher	D14/223
D617,316 S *	6/2010	Elabidi et al.	D14/223
D619,566 S *	7/2010	Yu	D14/223
D621,817 S *	8/2010	Brickstad	D14/223
D622,704 S *	8/2010	Fahrendorff et al.	D14/223
D628,188 S *	11/2010	Koch	D14/205
D628,194 S	11/2010	Koch		
7,949,127 B2	5/2011	Pedersen et al.		
D640,670 S *	6/2011	Rye	D14/223
D664,124 S	7/2012	Smith et al.		
8,229,154 B2 *	7/2012	Ito	381/385
D681,602 S *	5/2013	Koch et al.	D14/205
D699,215 S *	2/2014	Koch et al.	D14/205
D705,757 S *	5/2014	Yashiro	D14/223

* cited by examiner

Primary Examiner — Paula Greene

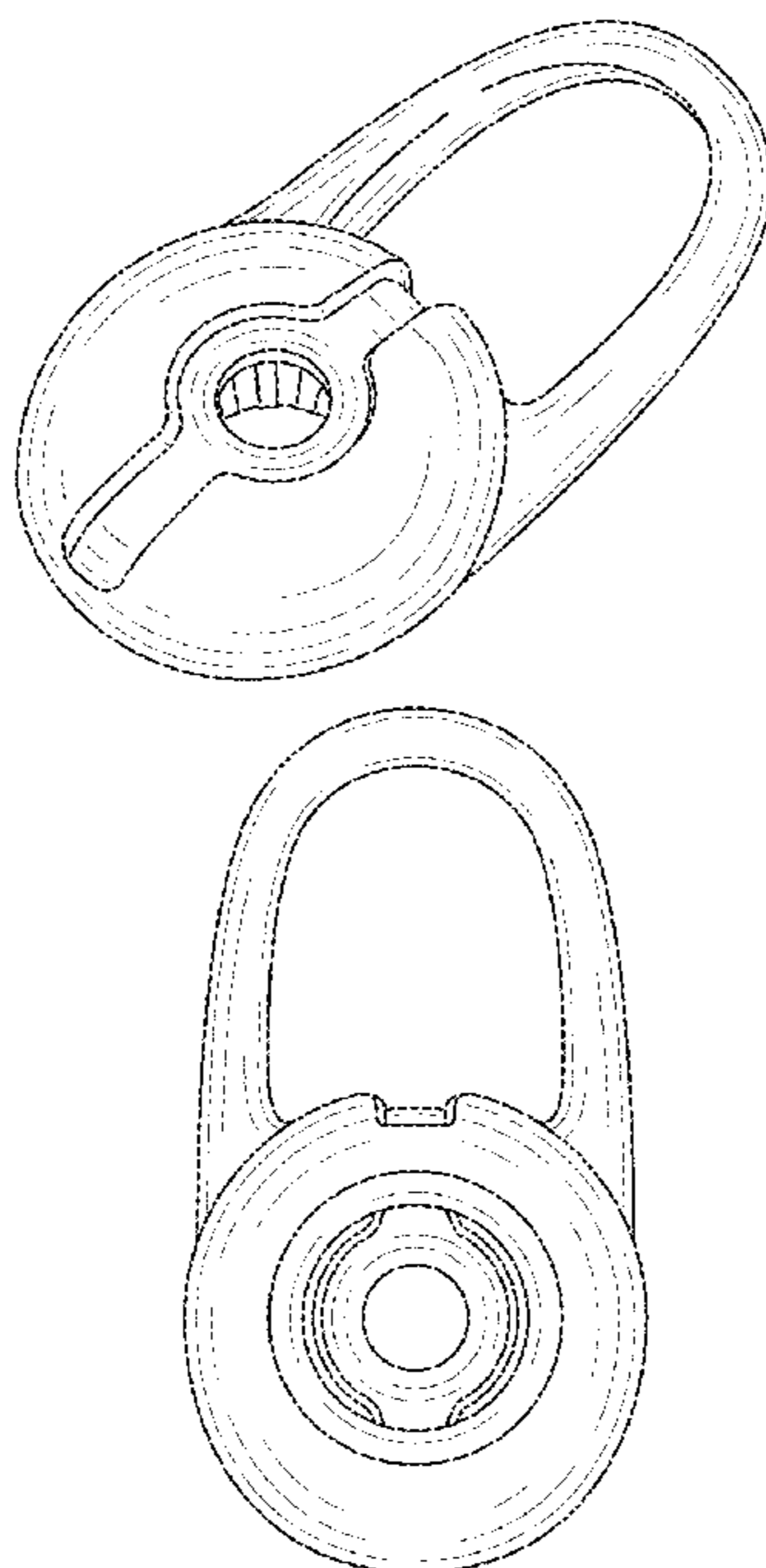
(57) **CLAIM**

The ornamental design for an ear tip for a communications headset, as shown and described.

DESCRIPTION

FIG. 1 is a perspective view of an ear tip for a communications headset showing my new design;
FIG. 2 is a front view thereof;
FIG. 3 is a back view thereof;
FIG. 4 is a right side view thereof;
FIG. 5 is a left side view thereof;
FIG. 6 is a bottom view thereof; and,
FIG. 7 is a top view thereof.

1 Claim, 2 Drawing Sheets



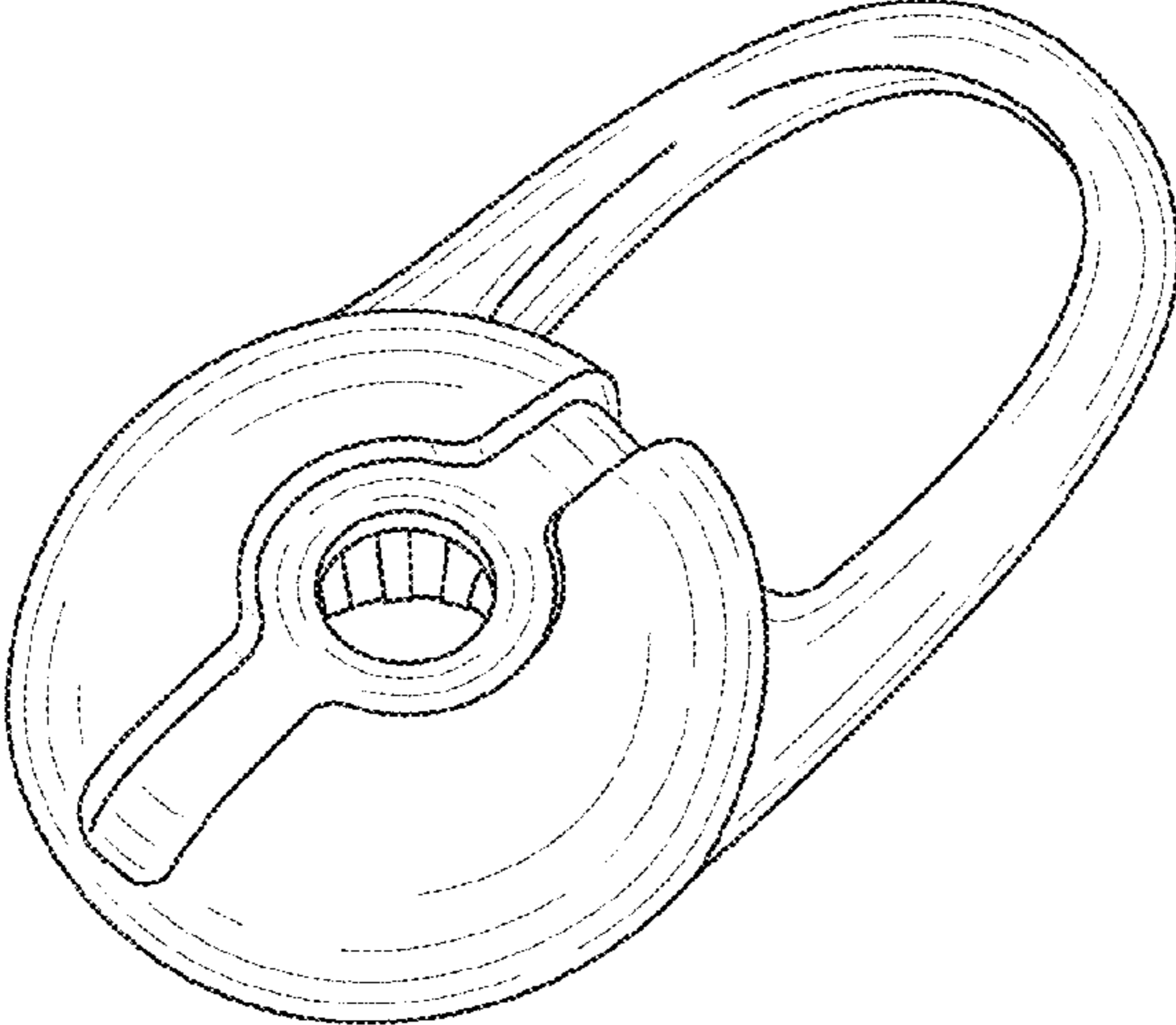


FIG. 1

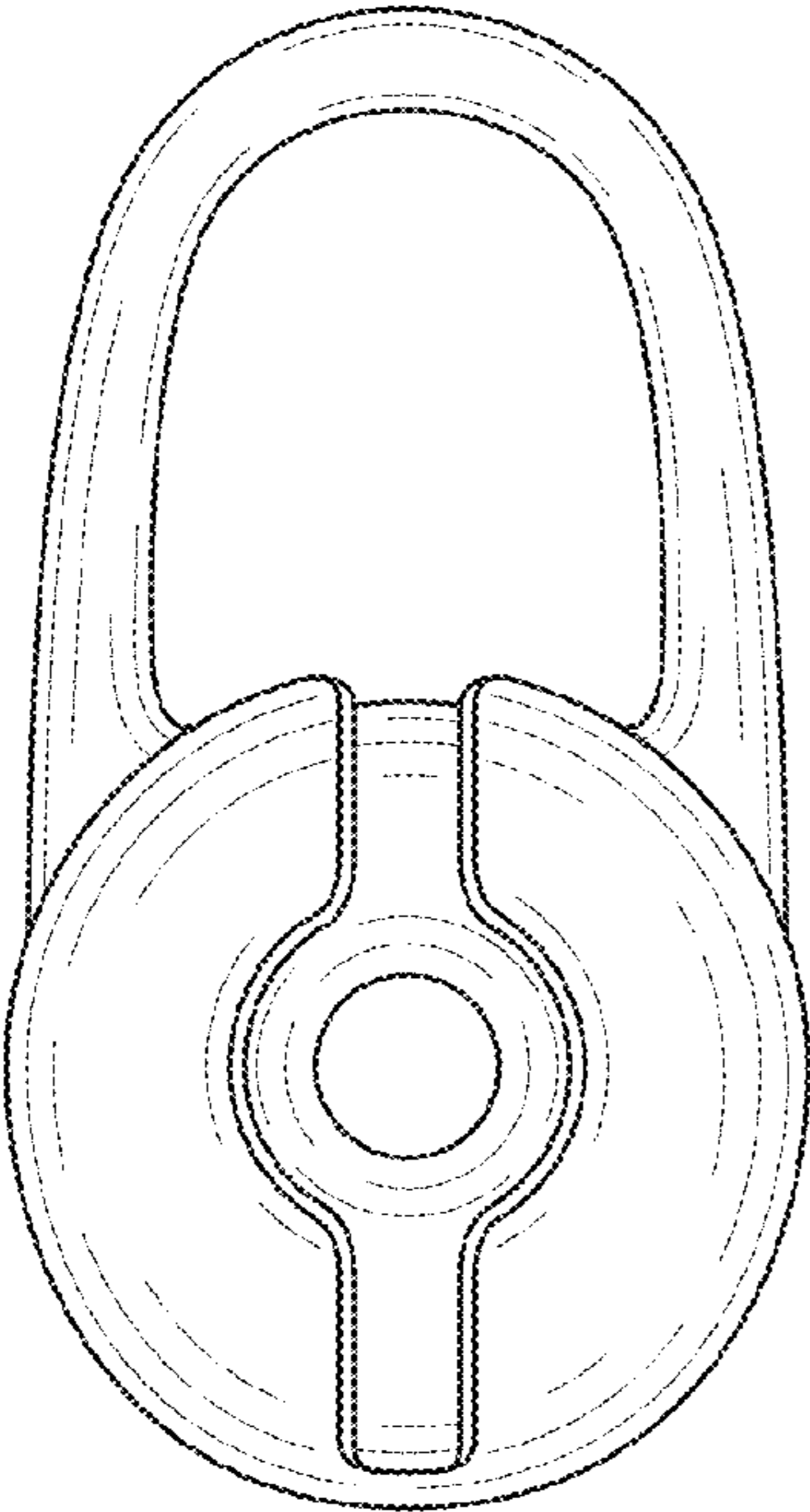


FIG. 2

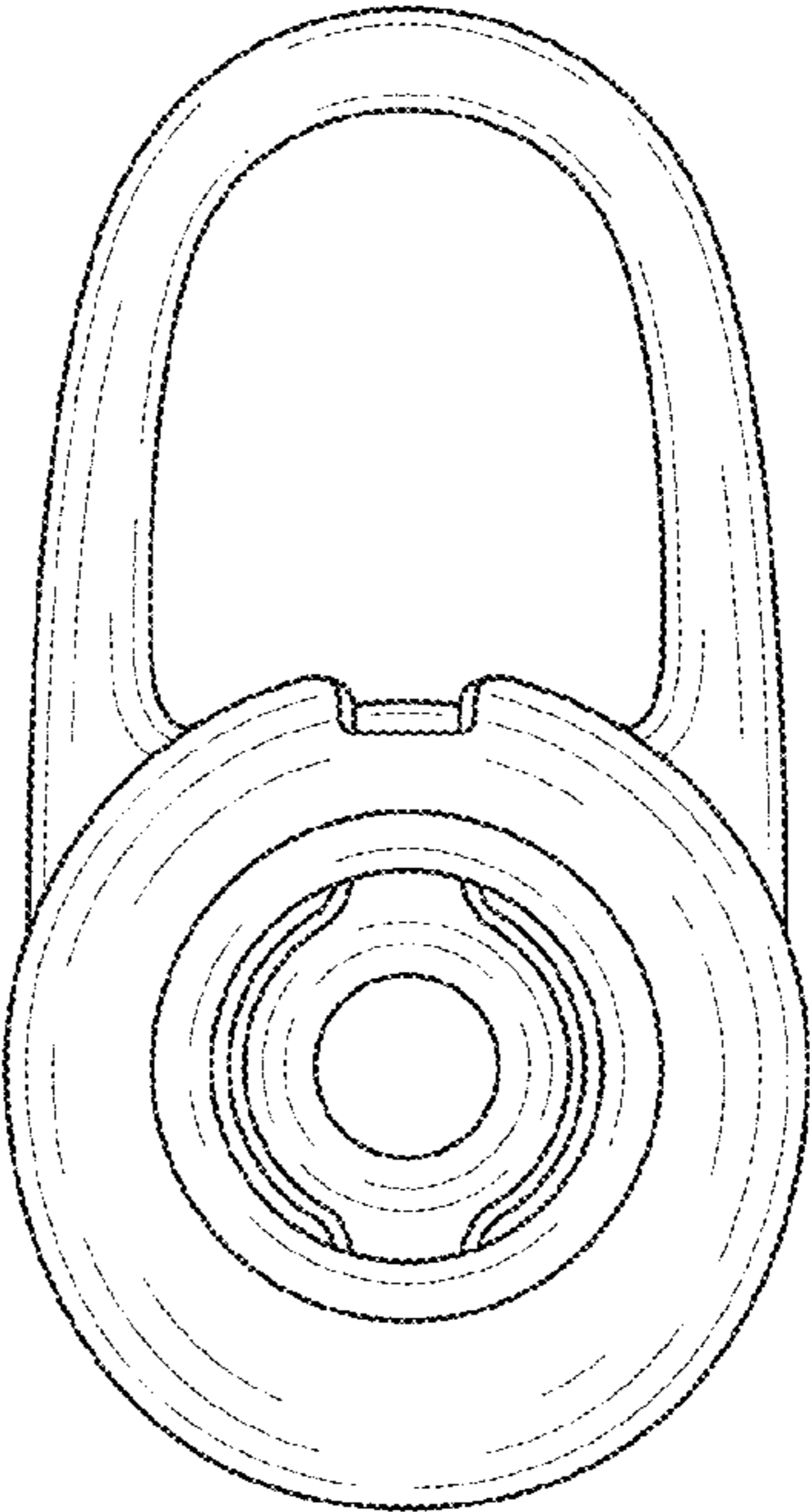


FIG. 3

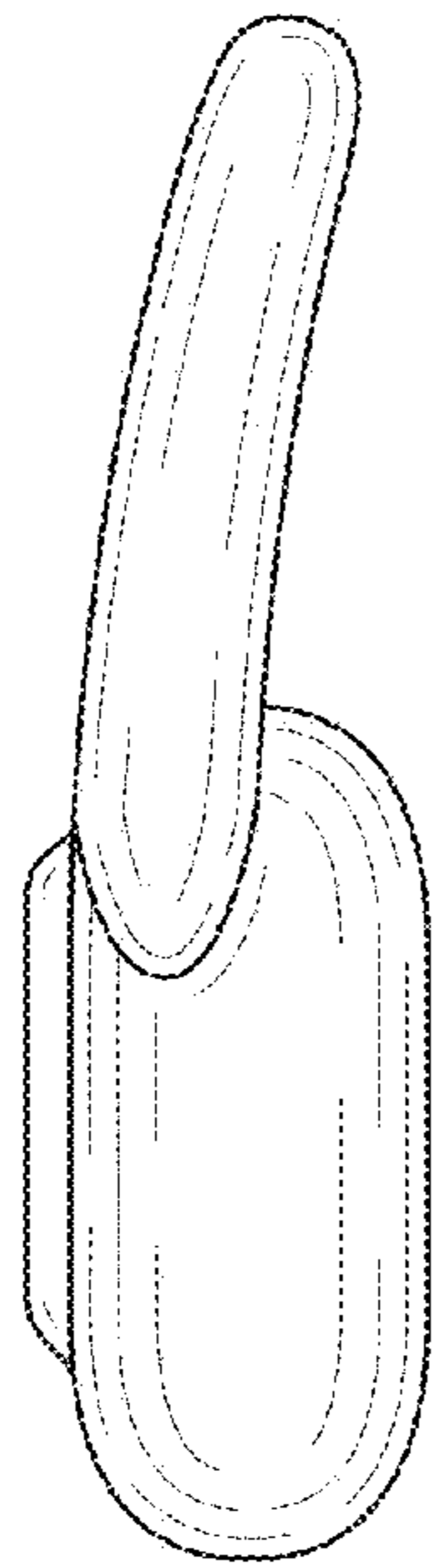


FIG. 4

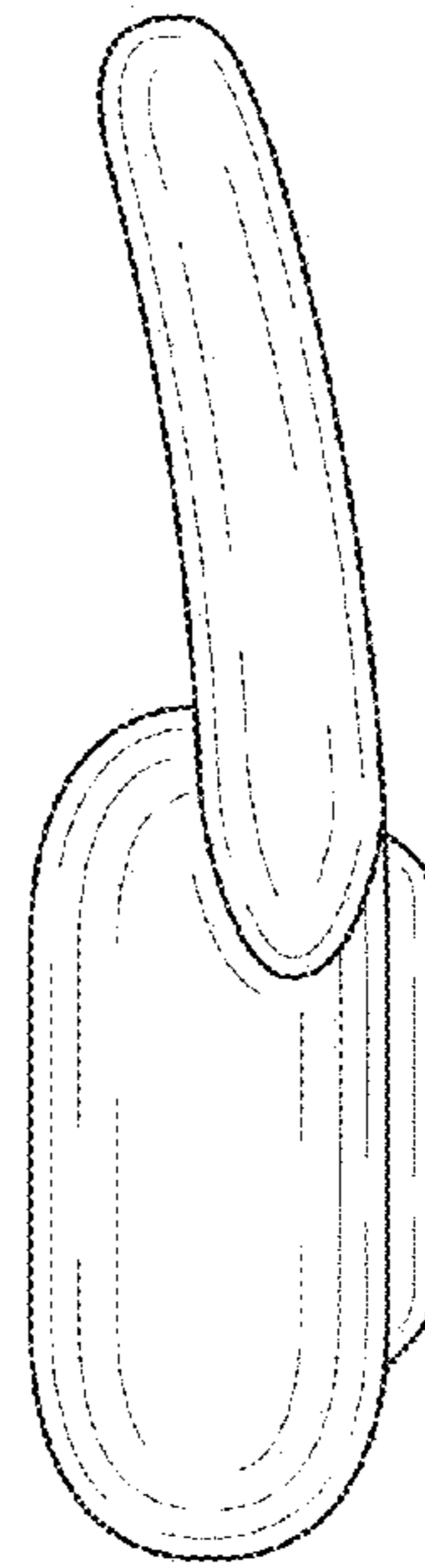


FIG. 5

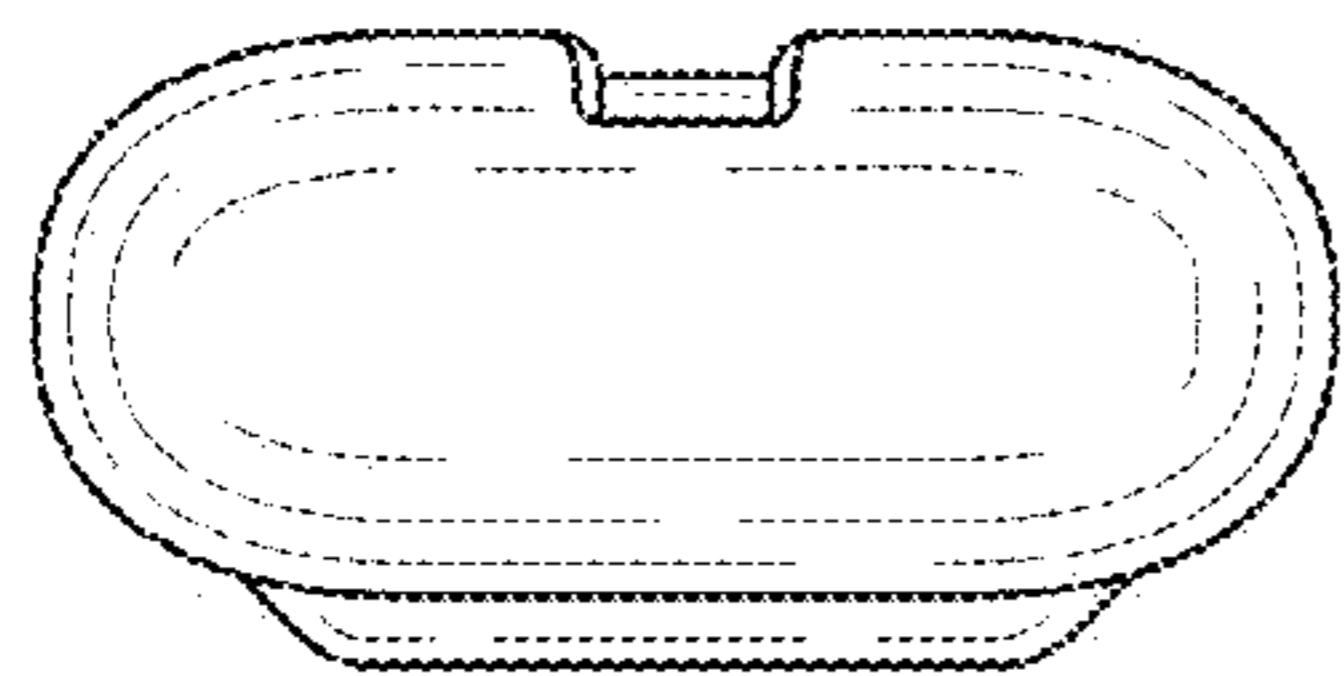


FIG. 6

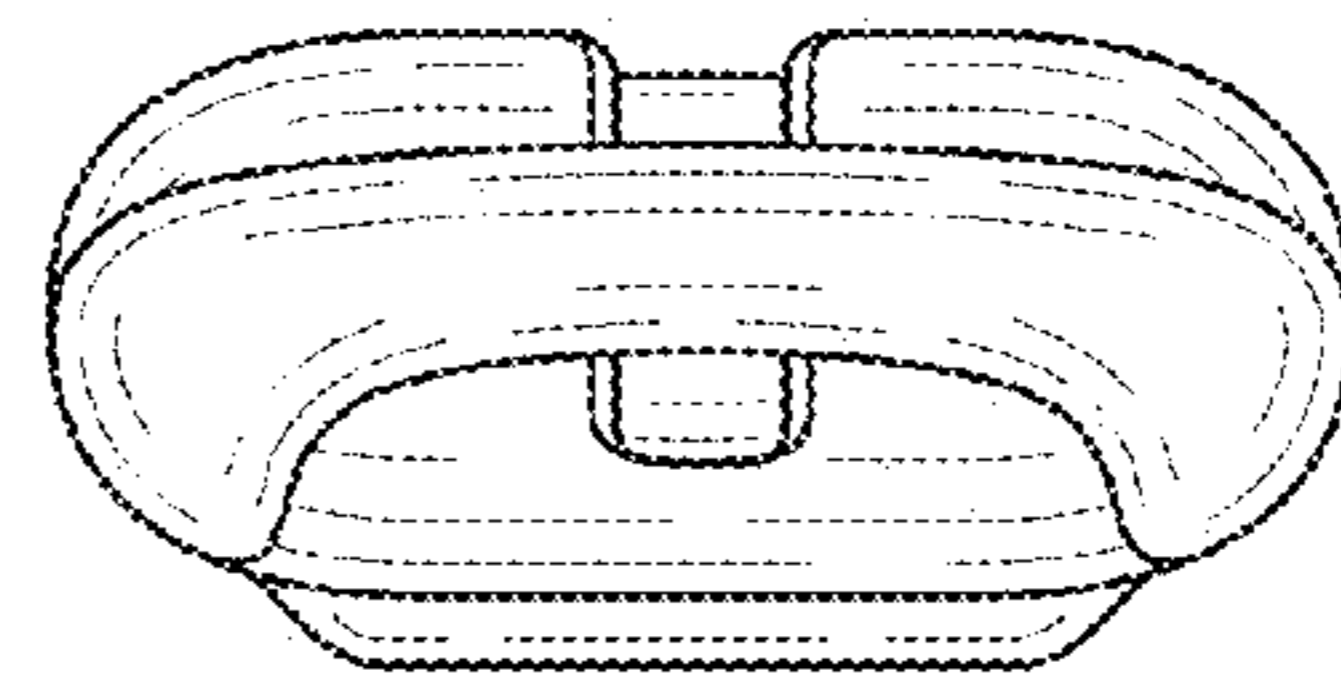


FIG. 7