



US00D717770S

(12) **United States Design Patent**  
**Yamamoto**

(10) **Patent No.:** **US D717,770 S**

(45) **Date of Patent:** **\*\* Nov. 18, 2014**

(54) **SPEAKER BOX**

(71) Applicant: **Panasonic Corporation**, Osaka (JP)

(72) Inventor: **Yuhei Yamamoto**, Osaka (JP)

(73) Assignee: **Panasonic Corporation**, Osaka (JP)

(\*\*) Term: **14 Years**

(21) Appl. No.: **29/476,854**

(22) Filed: **Dec. 18, 2013**

(30) **Foreign Application Priority Data**

Jun. 20, 2013 (JP) ..... 2013-013900

(51) **LOC (10) Cl.** ..... **14-03**

(52) **U.S. Cl.**  
USPC ..... **D14/216**

(58) **Field of Classification Search**  
USPC ..... D14/167, 168, 170–172, 188, 194–196,  
D14/204, 207, 209.1, 210–216, 219, 221,  
D14/222, 224, 496; 181/143, 144, 147, 148,  
181/150, 153, 157, 198, 199; 381/300–303,  
381/306, 332, 333, 336, 345, 361–364,  
381/386–388; 369/6–12

See application file for complete search history.

(56) **References Cited**

**U.S. PATENT DOCUMENTS**

D292,283 S \* 10/1987 Matsuda et al. .... D14/240  
D315,562 S \* 3/1991 Brown ..... D14/213  
D526,973 S \* 8/2006 Gates et al. .... D13/184  
D537,072 S \* 2/2007 Kim et al. .... D14/215

D542,273 S \* 5/2007 Park et al. .... D14/215  
D560,209 S \* 1/2008 Kim et al. .... D14/215  
D577,009 S \* 9/2008 Wilson et al. .... D14/225  
D591,269 S \* 4/2009 Kim et al. .... D14/216  
D596,159 S \* 7/2009 Yamaji et al. .... D14/216  
D606,517 S \* 12/2009 Nousiainen et al. .... D14/216  
D626,963 S \* 11/2010 Kim ..... D14/420  
D627,306 S \* 11/2010 Charleux ..... D13/168  
D645,446 S \* 9/2011 Cheng et al. .... D14/209.1  
D645,818 S \* 9/2011 Guccione et al. .... D13/108  
D682,805 S \* 5/2013 Rath ..... D14/149  
D711,345 S \* 8/2014 Liu ..... D14/140

**FOREIGN PATENT DOCUMENTS**

JP D1398465 10/2010

\* cited by examiner

*Primary Examiner* — Keli L Hill

(74) *Attorney, Agent, or Firm* — Panasonic Patent Center

(57) **CLAIM**

I claim the ornamental design for a speaker box, as shown and described.

**DESCRIPTION**

FIG. 1 is a top perspective view of a speaker box of the present invention;

FIG. 2 is a bottom perspective view thereof;

FIG. 3 is a front view thereof;

FIG. 4 is a rear view thereof;

FIG. 5 is a left side view thereof;

FIG. 6 is a right side view thereof;

FIG. 7 is a top view thereof; and,

FIG. 8 is a bottom view thereof.

**1 Claim, 8 Drawing Sheets**

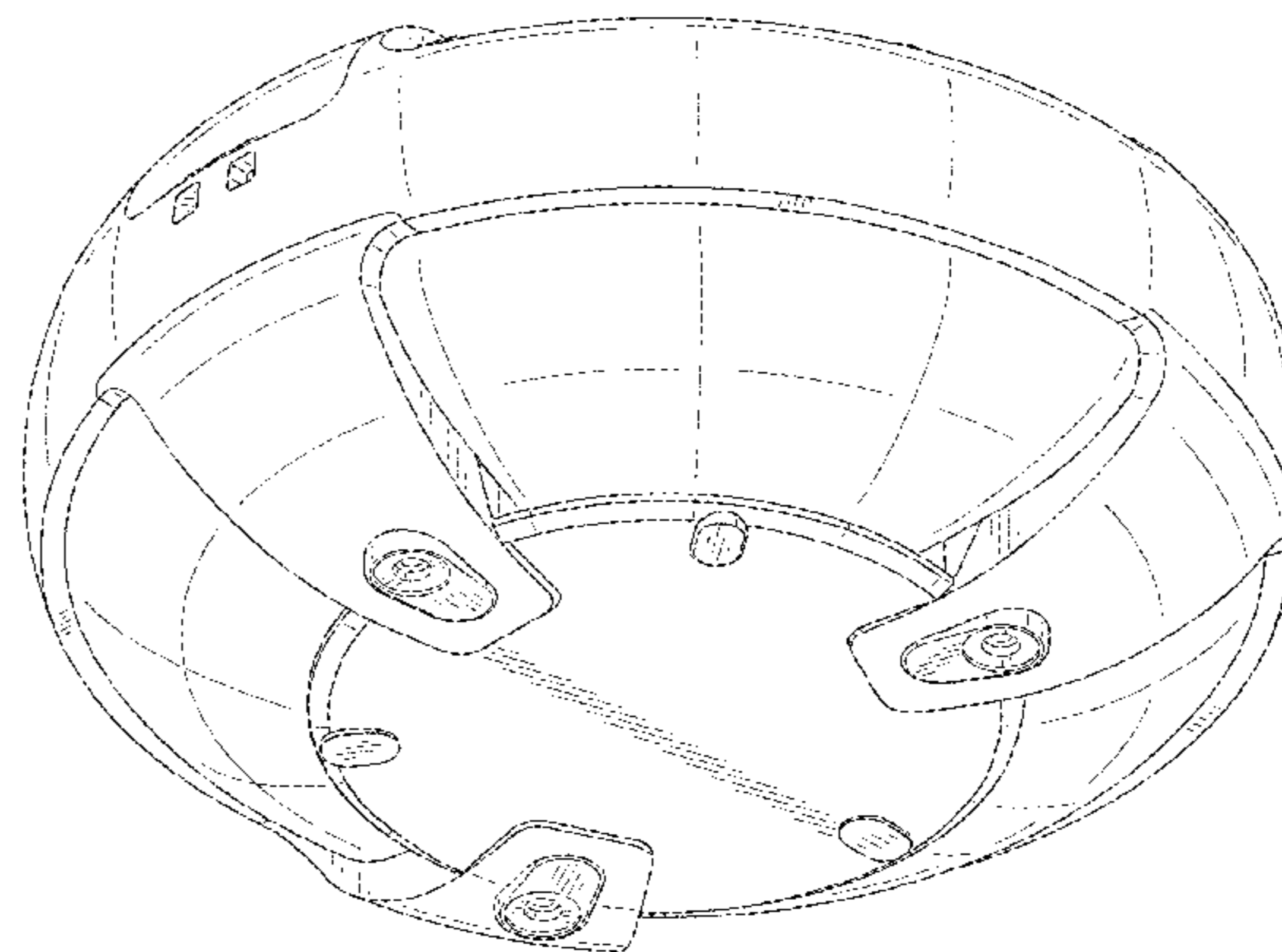
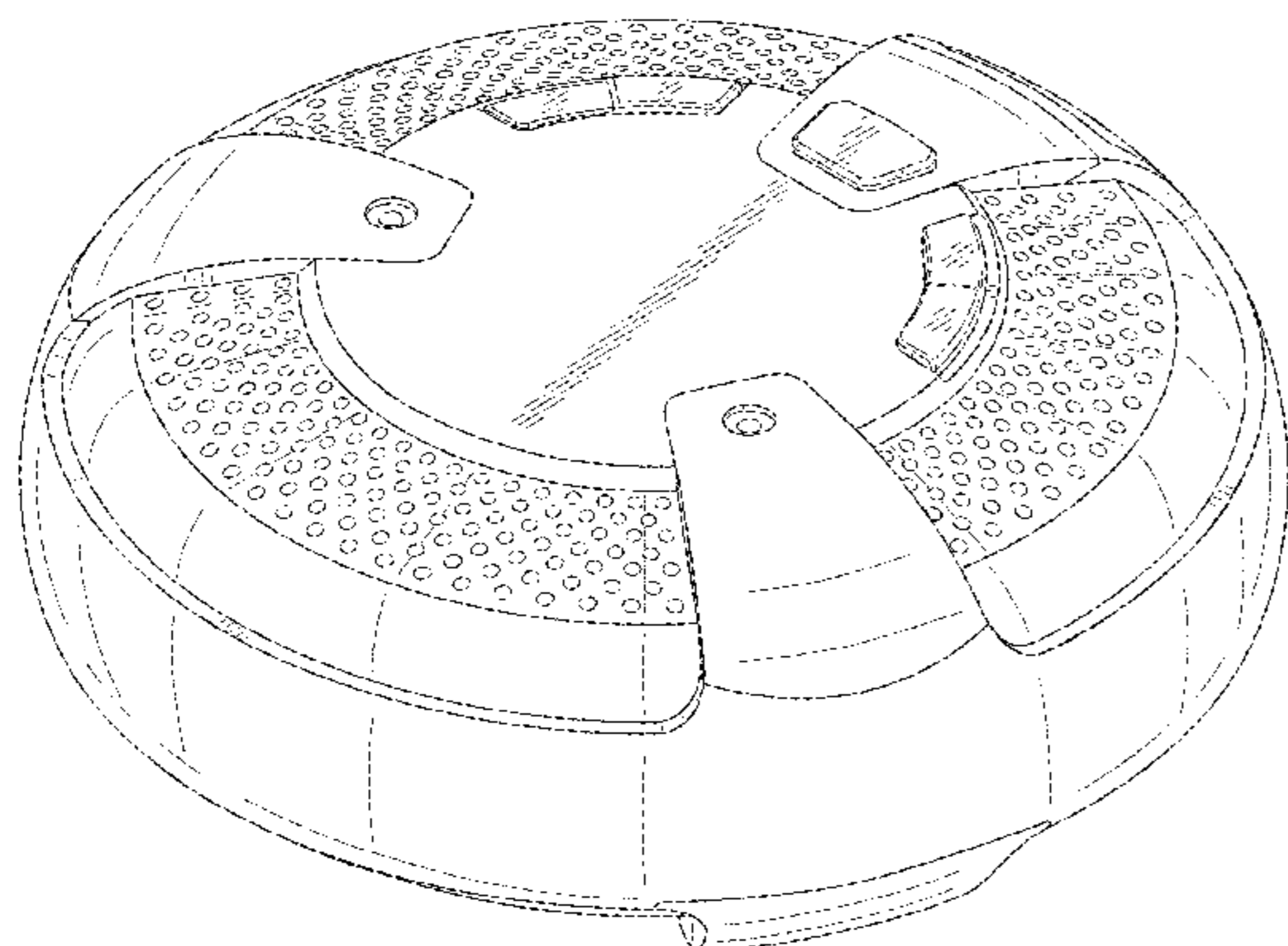


FIG. 1

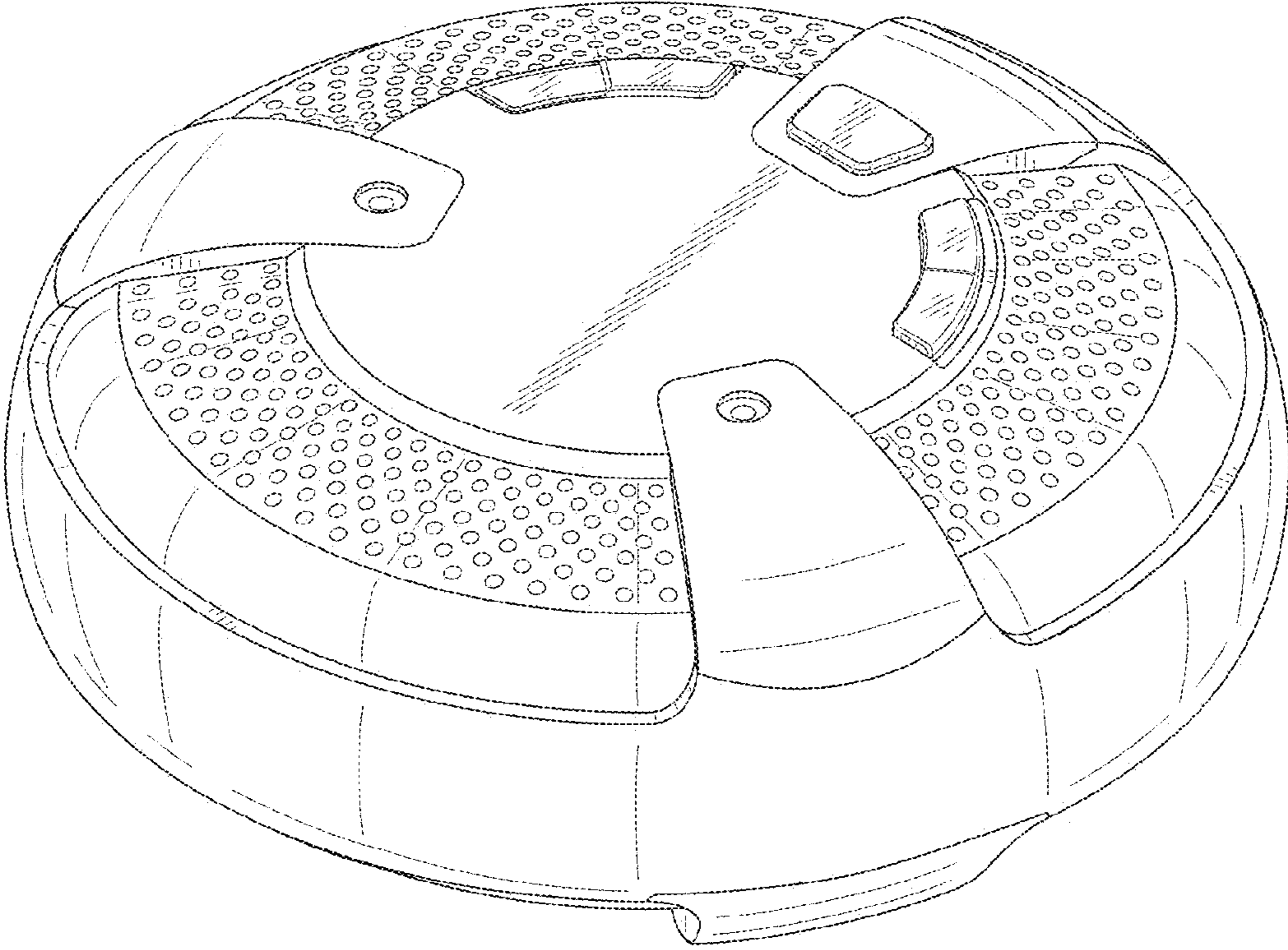


FIG. 2

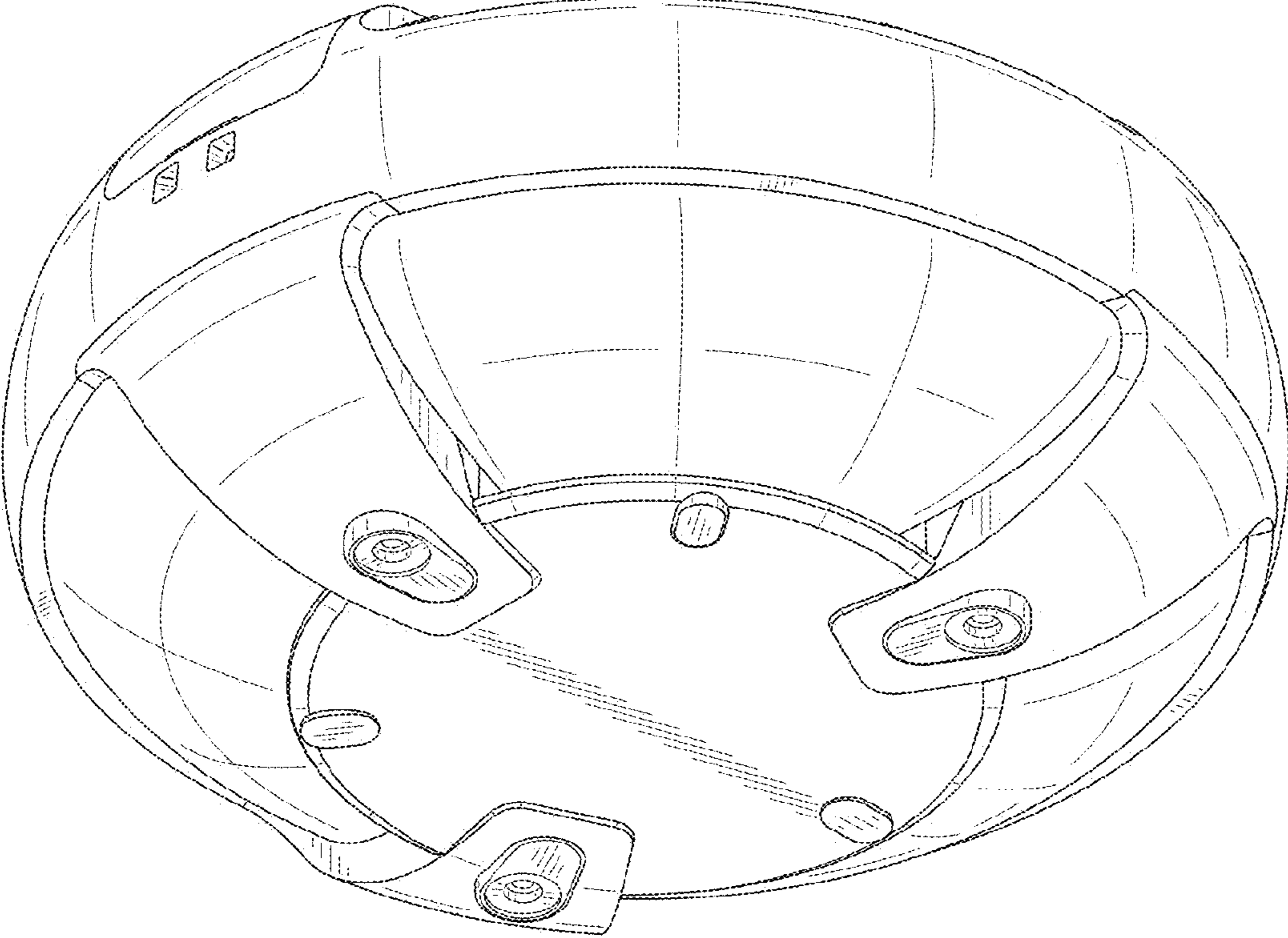


FIG. 3

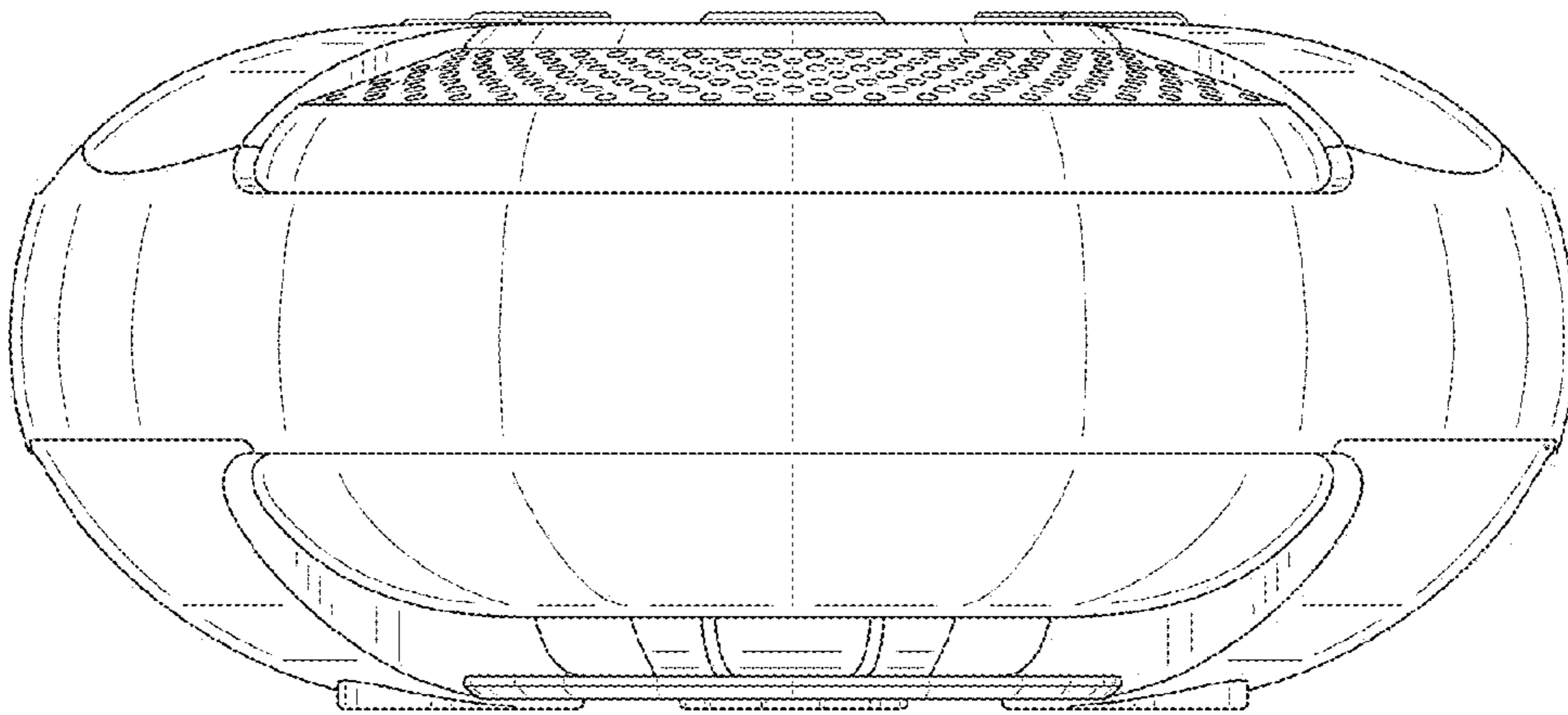


FIG. 4

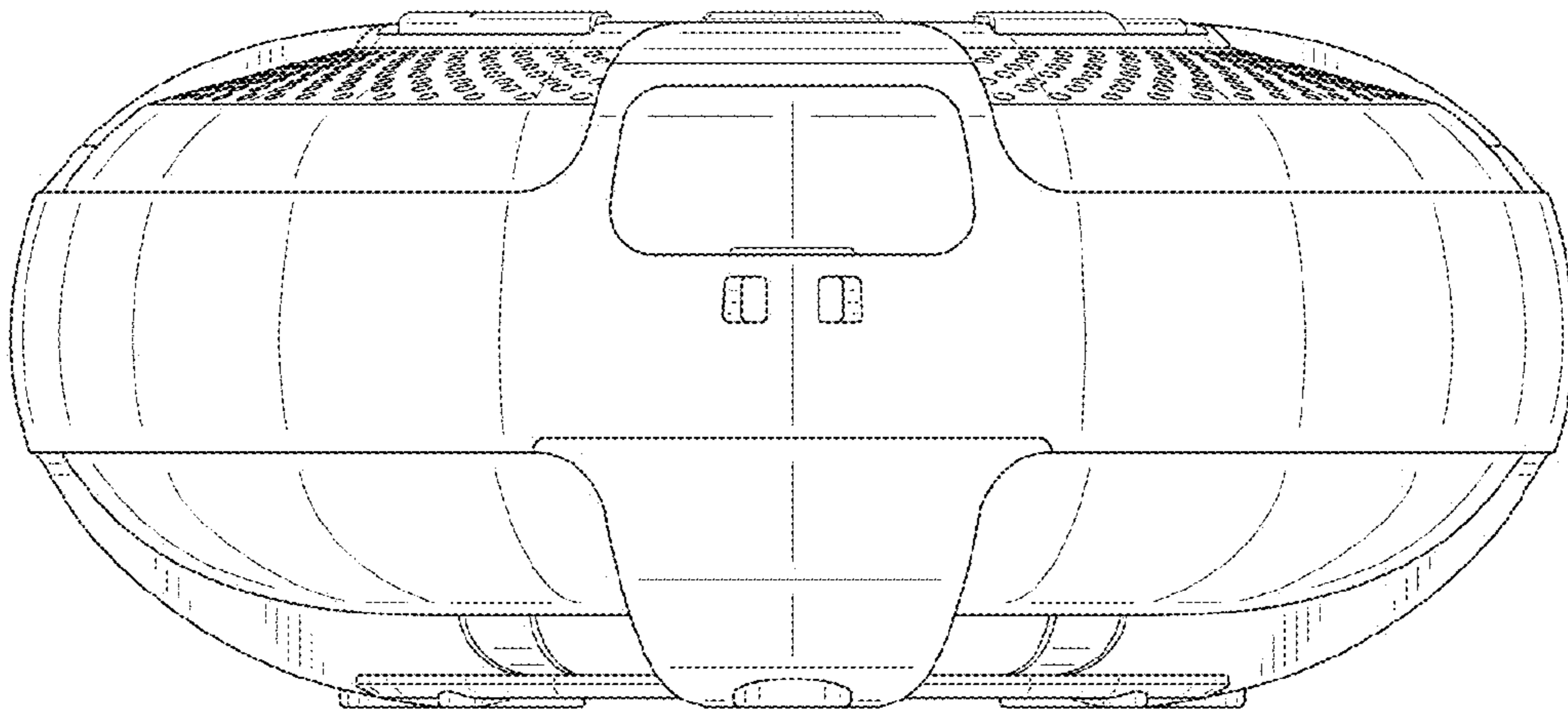


FIG. 5

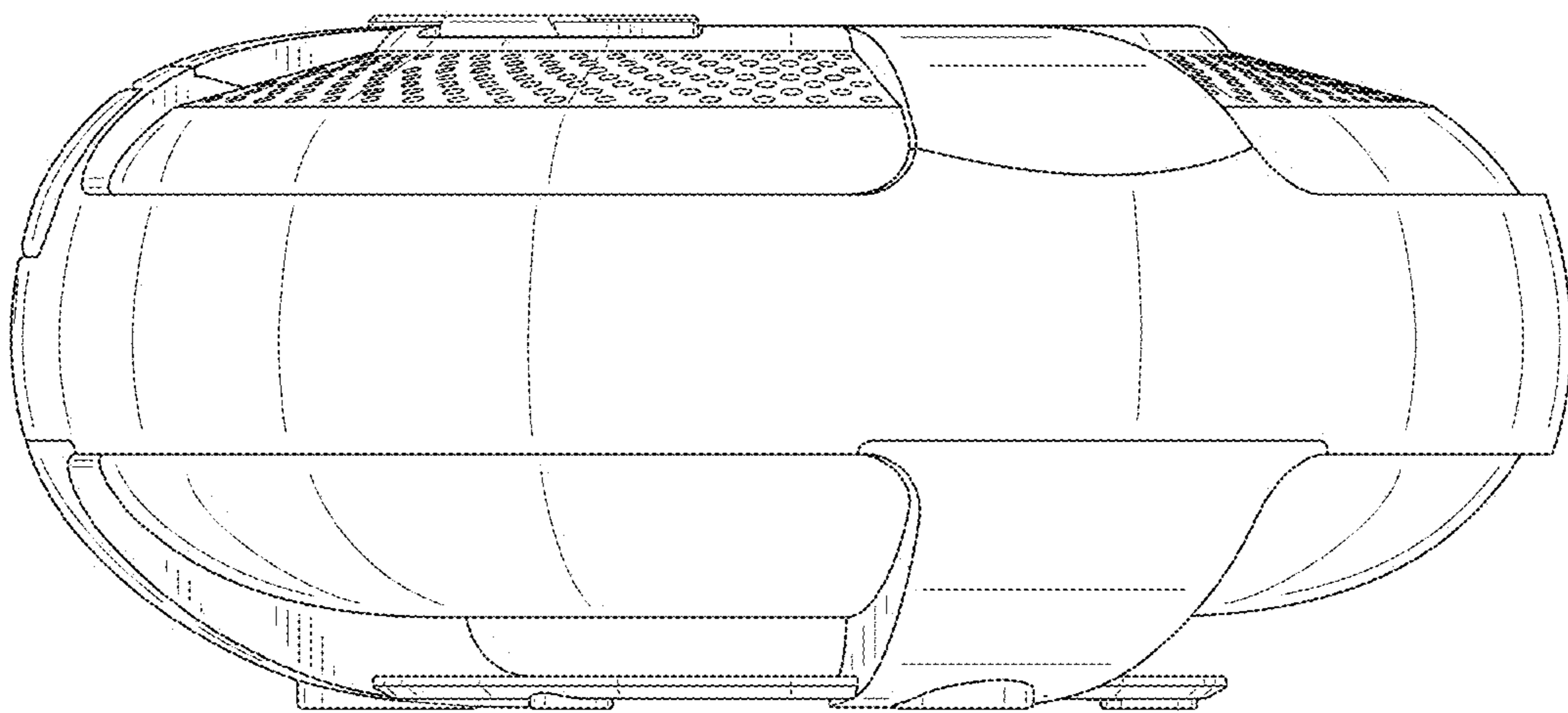


FIG. 6

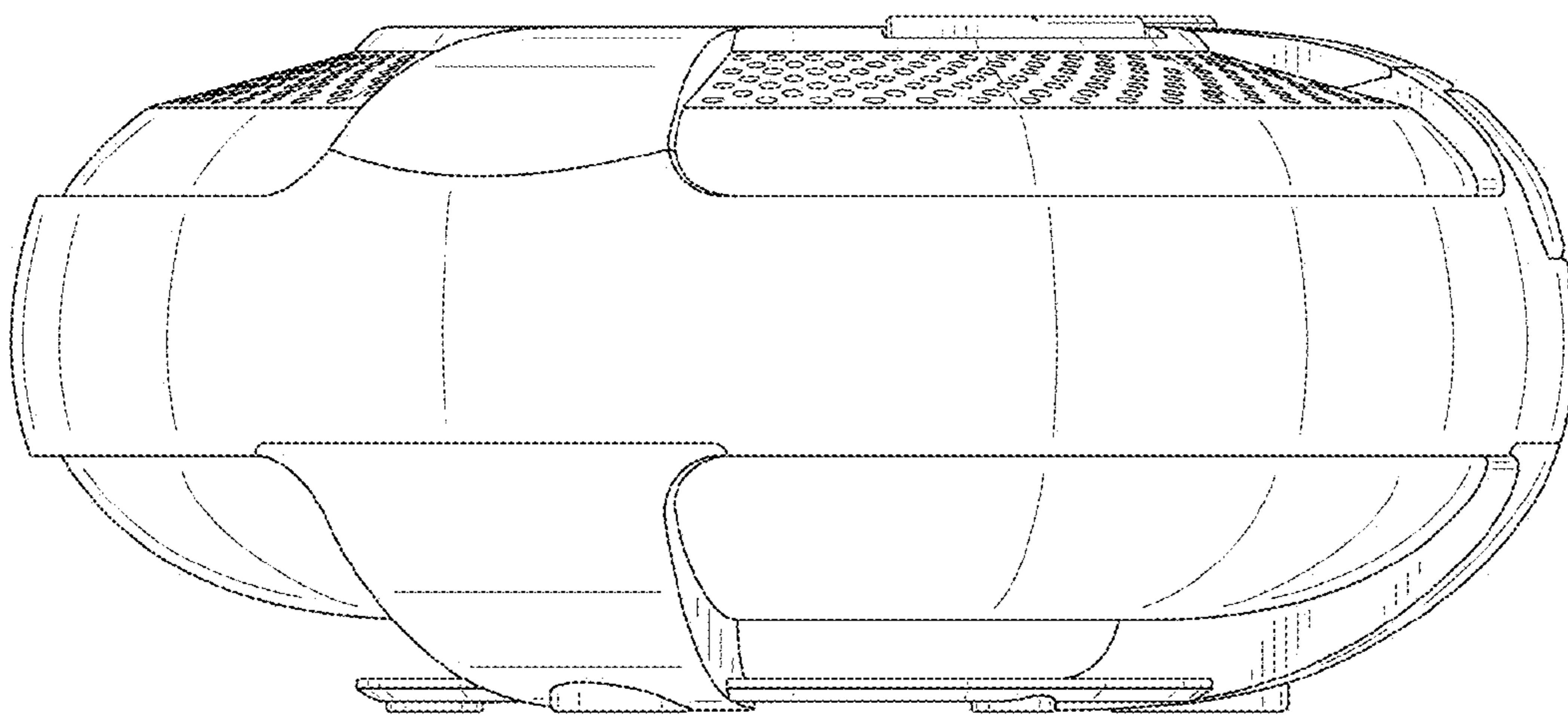


FIG. 7

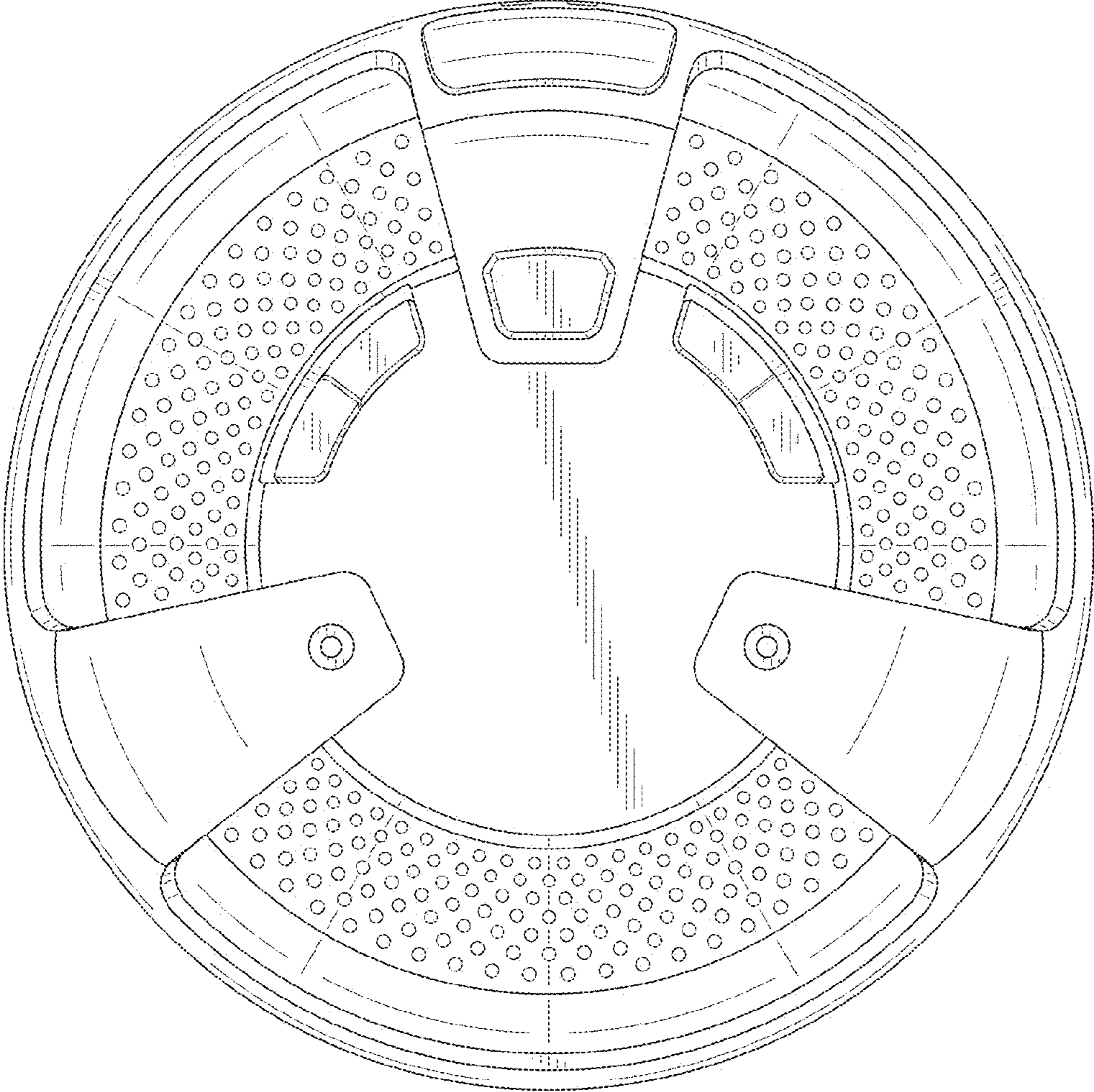




FIG. 8

