



US00D717769S

(12) **United States Design Patent**
Wong

(10) **Patent No.:** **US D717,769 S**

(45) **Date of Patent:** **** Nov. 18, 2014**

(54) **SPEAKER**

381/306, 332, 333, 336, 345, 361–364,
381/386–388; 369/6–12

See application file for complete search history.

(71) Applicant: **Koninklijke Philips N.V.**, Eindhoven
(NL)

(72) Inventor: **King Shun Cheong Wong**, Kowloon
(HK)

(73) Assignee: **Koninklijke Philips N.V.**, Eindhoven
(NL)

(**) Term: **14 Years**

(21) Appl. No.: **29/456,794**

(22) Filed: **Jun. 4, 2013**

(30) **Foreign Application Priority Data**

Dec. 6, 2012 (EM) 002148643-0004

(51) **LOC (10) CL.** **14-03**

(52) **U.S. CL.**
USPC **D14/216**

(58) **Field of Classification Search**

CPC H04M 1/03; H04M 1/035; H04R 1/02;
H04R 1/06; H04R 1/021; H04R 1/025;
H04R 1/026; H04R 1/105; H04R 1/323;
H04R 1/345; H04R 1/403; H04R 1/2803;
H04R 1/2834; H04R 5/02; H04R 7/20;
H04R 9/06; H04R 9/025; H04R 2201/021;
H04R 2400/07; H04R 2499/11; H04R
2499/13; H04R 2499/15; G06F 1/1688;
H04N 5/642; H04N 21/4852; H04S 3/00;
H04S 7/30; B60R 11/0217

USPC D14/167, 168, 170–172, 188, 194–196,
D14/204, 207, 209.1, 210–216, 219, 221,
D14/222, 224, 496; 181/143, 144, 147, 148,
181/150, 153, 157, 198, 199; 381/300–303,

(56) **References Cited**

U.S. PATENT DOCUMENTS

D585,893 S *	2/2009	Wang	D14/480.2
D619,119 S *	7/2010	Graber	D14/216
D620,475 S *	7/2010	Graber	D14/212
D625,706 S *	10/2010	Graber	D14/212
D637,582 S *	5/2011	Wada	D14/216
D646,666 S *	10/2011	Maeyama	D14/216
D674,778 S *	1/2013	Skurdal	D14/214
D684,452 S *	6/2013	Petzl	D8/356
D692,411 S *	10/2013	Joseph	D14/215
D694,218 S *	11/2013	Szymanski	D14/216
D696,646 S *	12/2013	Deguchi	D14/216

* cited by examiner

Primary Examiner — Keli L Hill

(74) *Attorney, Agent, or Firm* — Venable LLP; Steven J. Schwarz

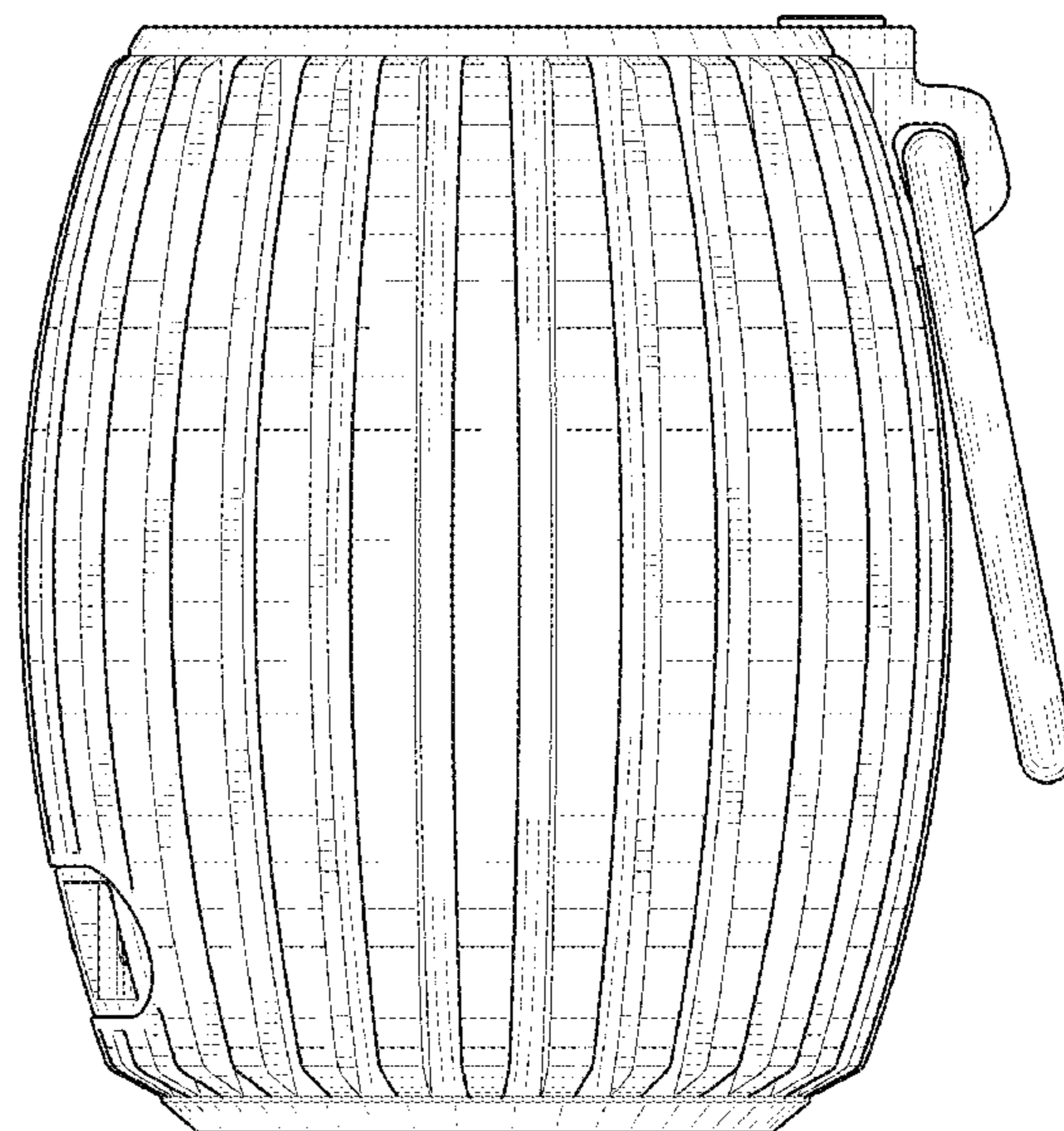
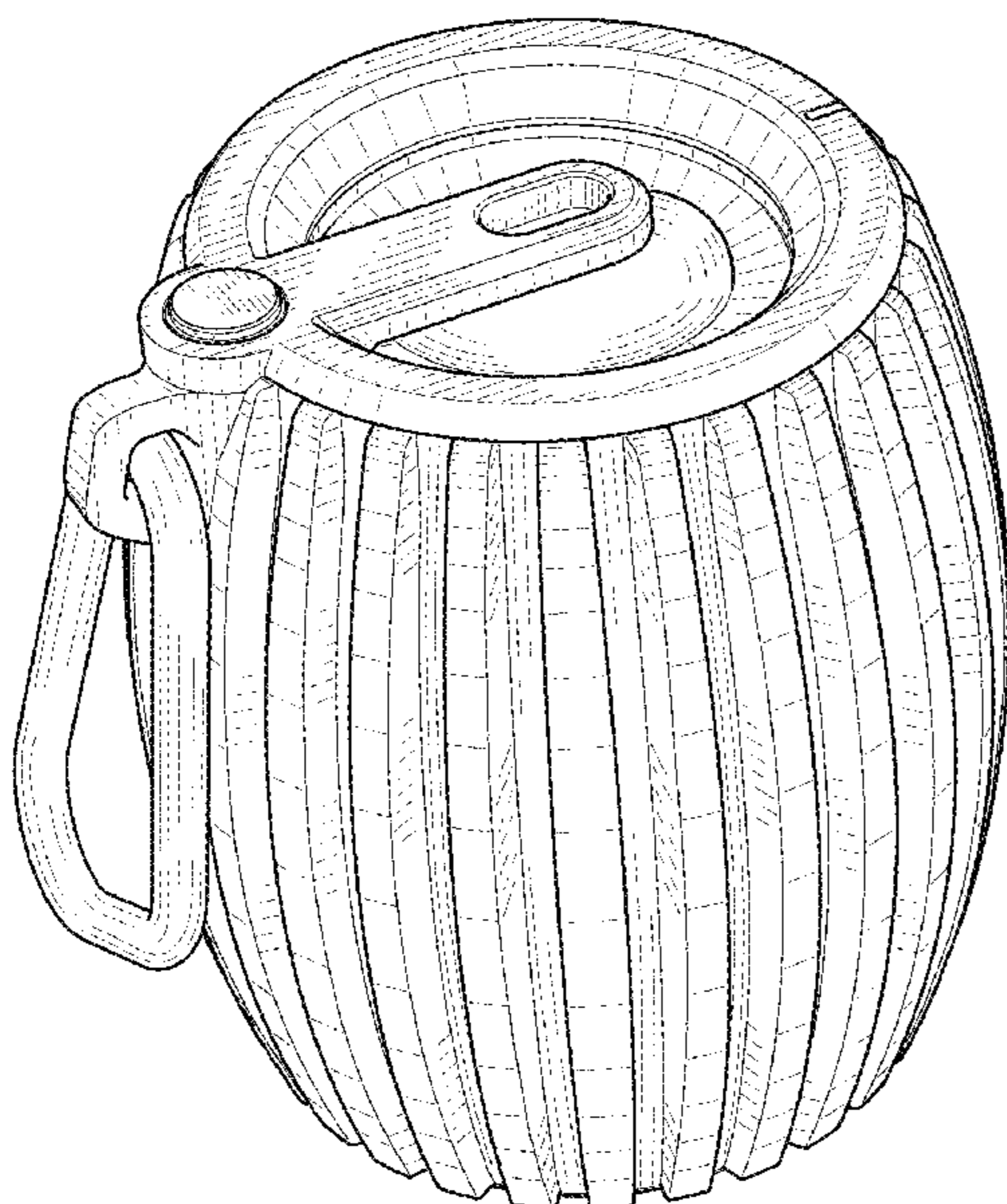
(57) **CLAIM**

The ornamental design for a speaker, as shown and described.

DESCRIPTION

FIG. 1 is a perspective view showing my design;
FIG. 2 is a front elevational view thereof;
FIG. 3 is a rear elevational view thereof;
FIG. 4 is a right side elevational view thereof;
FIG. 5 is a left side elevational view thereof;
FIG. 6 is a top plan view thereof; and,
FIG. 7 is a bottom plan view thereof.
The broken lines shown are included for the purpose of illustrating portions of the speaker that form no part of the claim.

1 Claim, 7 Drawing Sheets



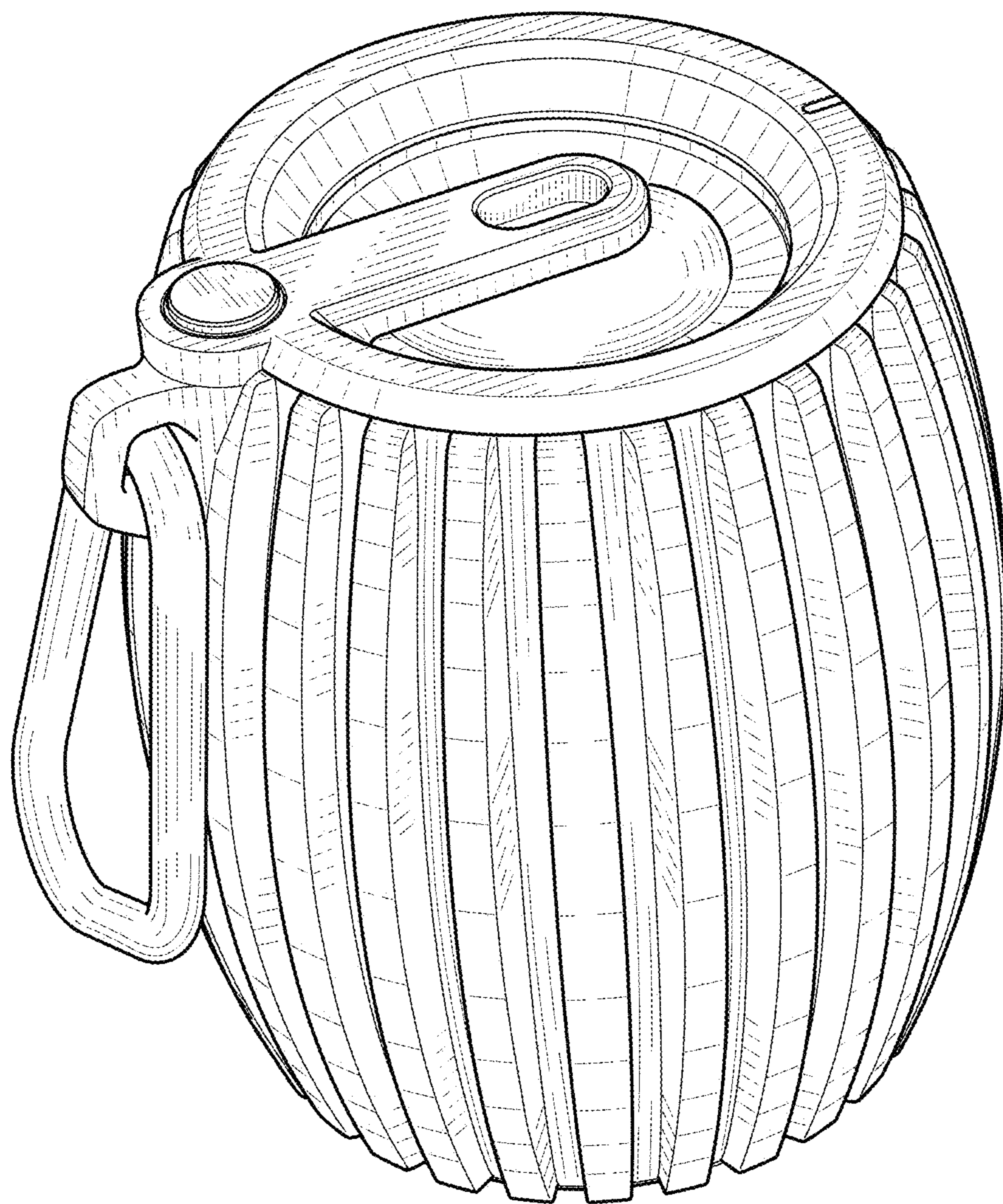


FIG. 1

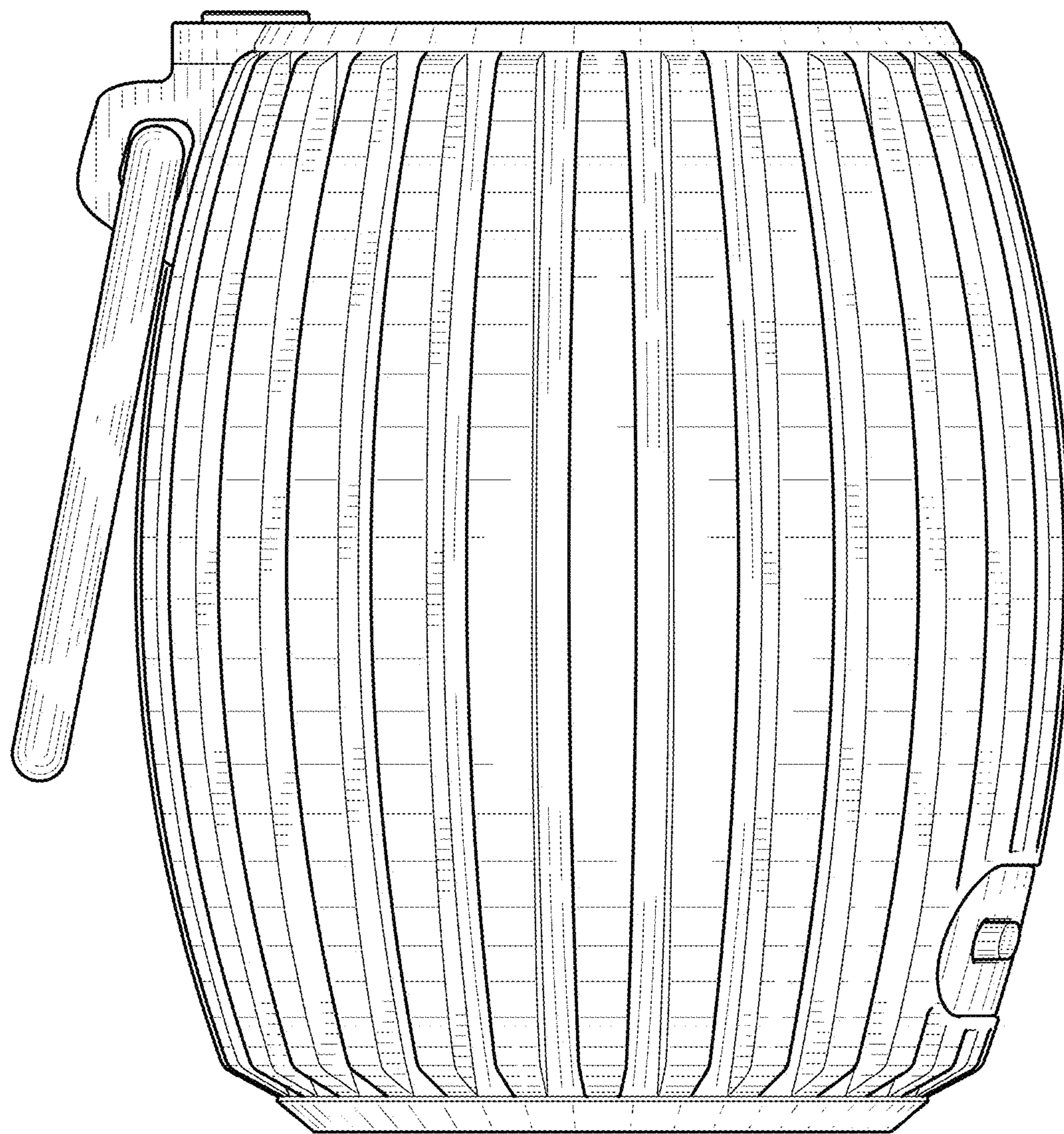


FIG. 2

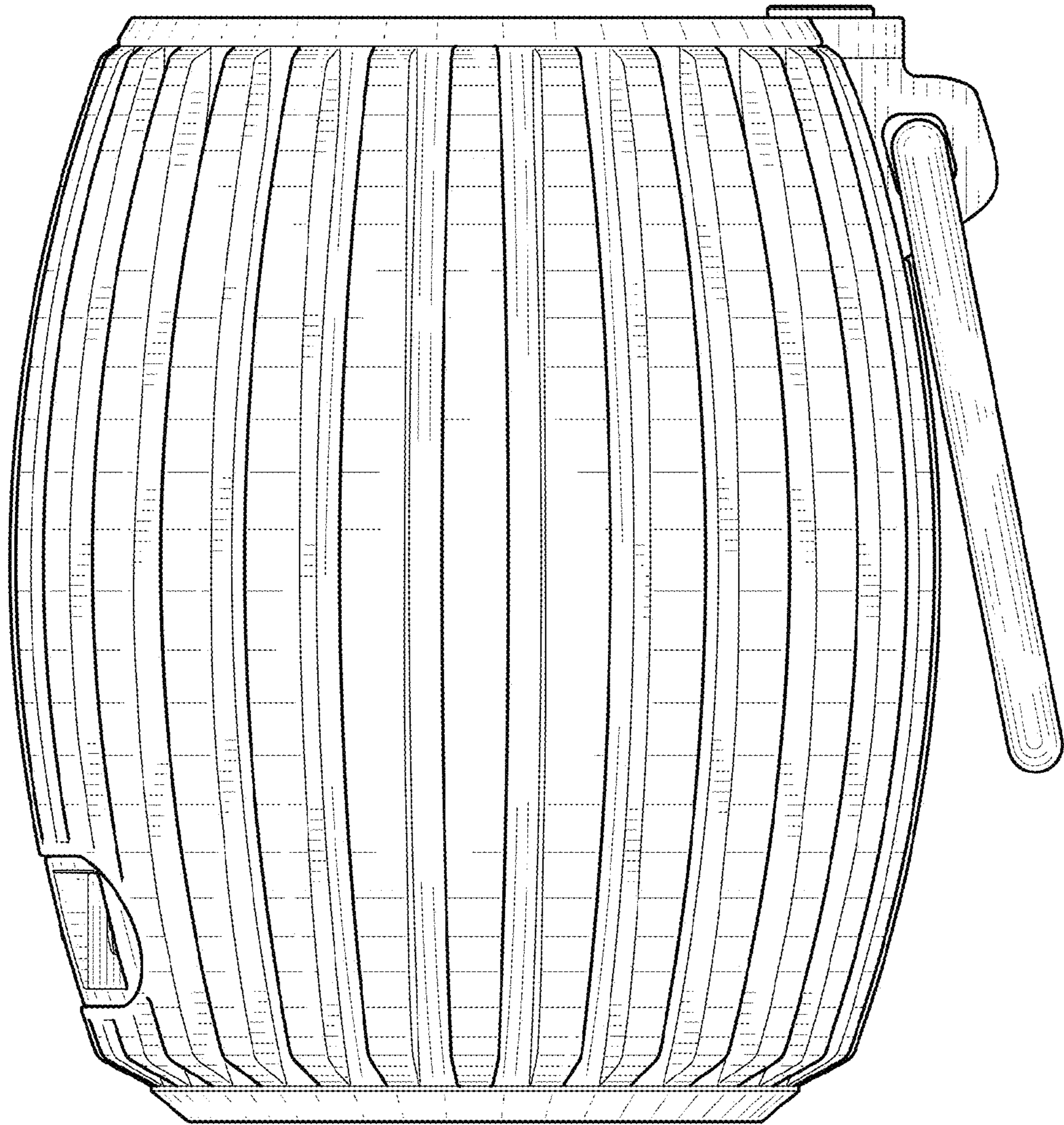


FIG. 3

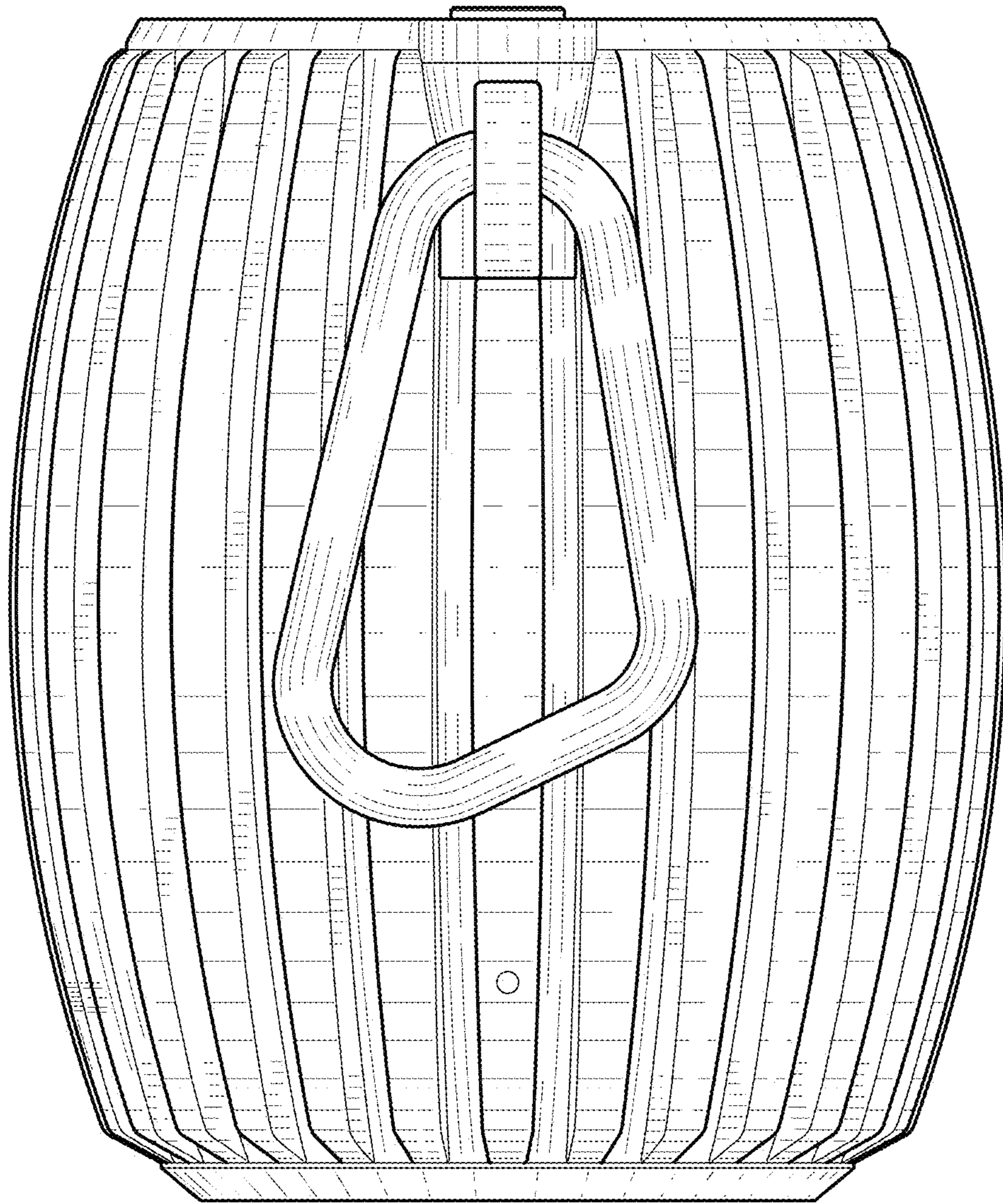


FIG. 4

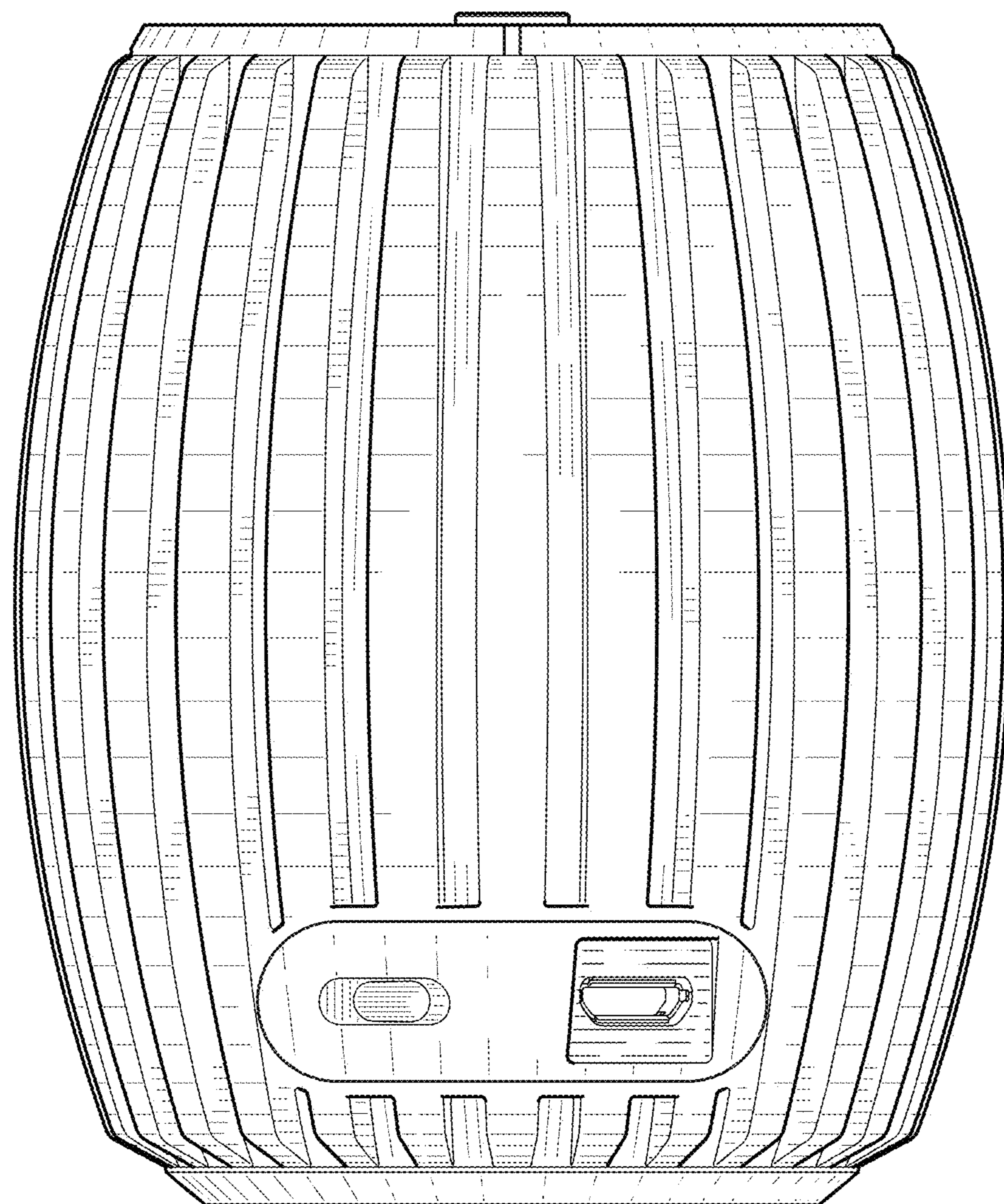


FIG. 5

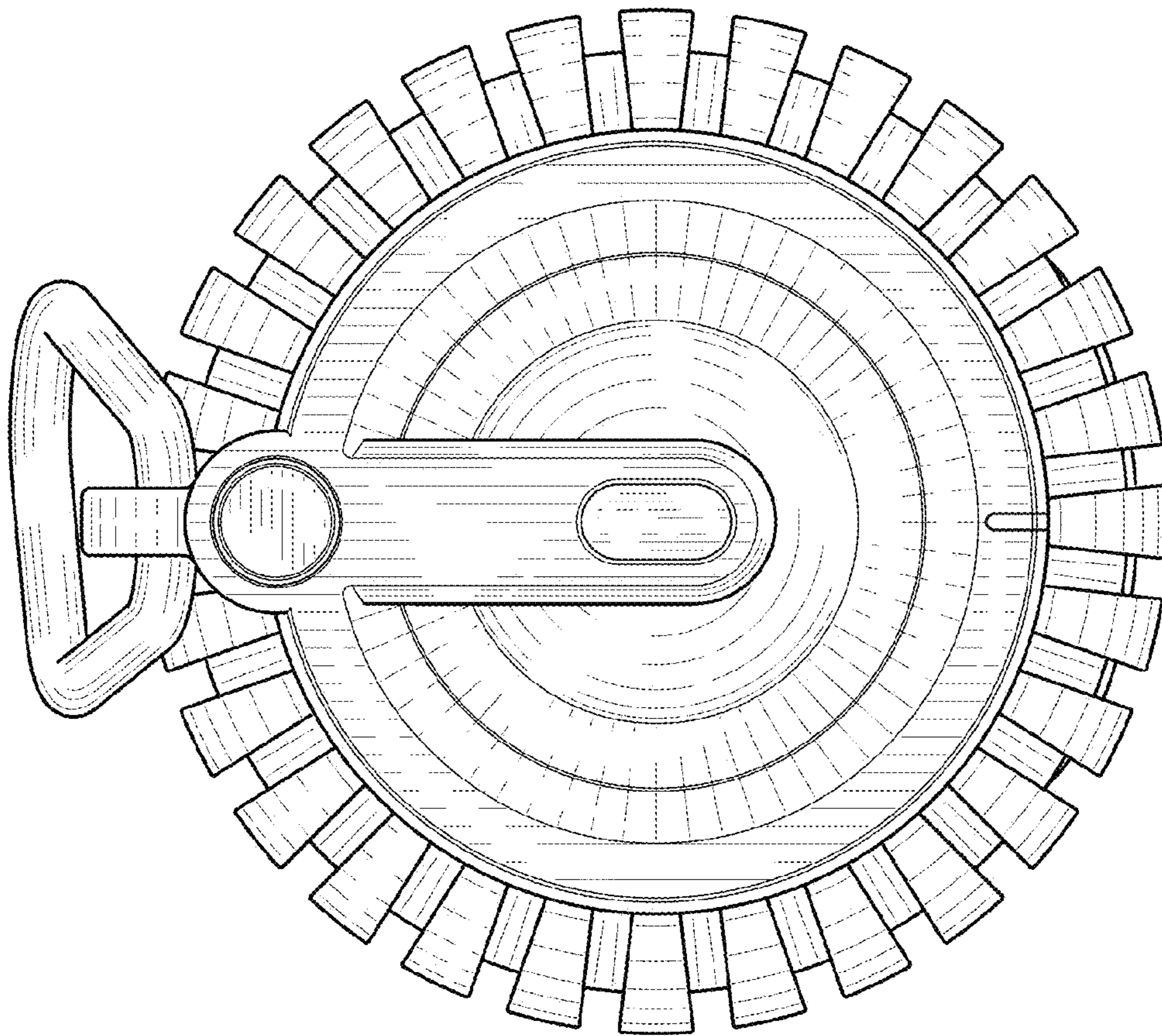


FIG. 6

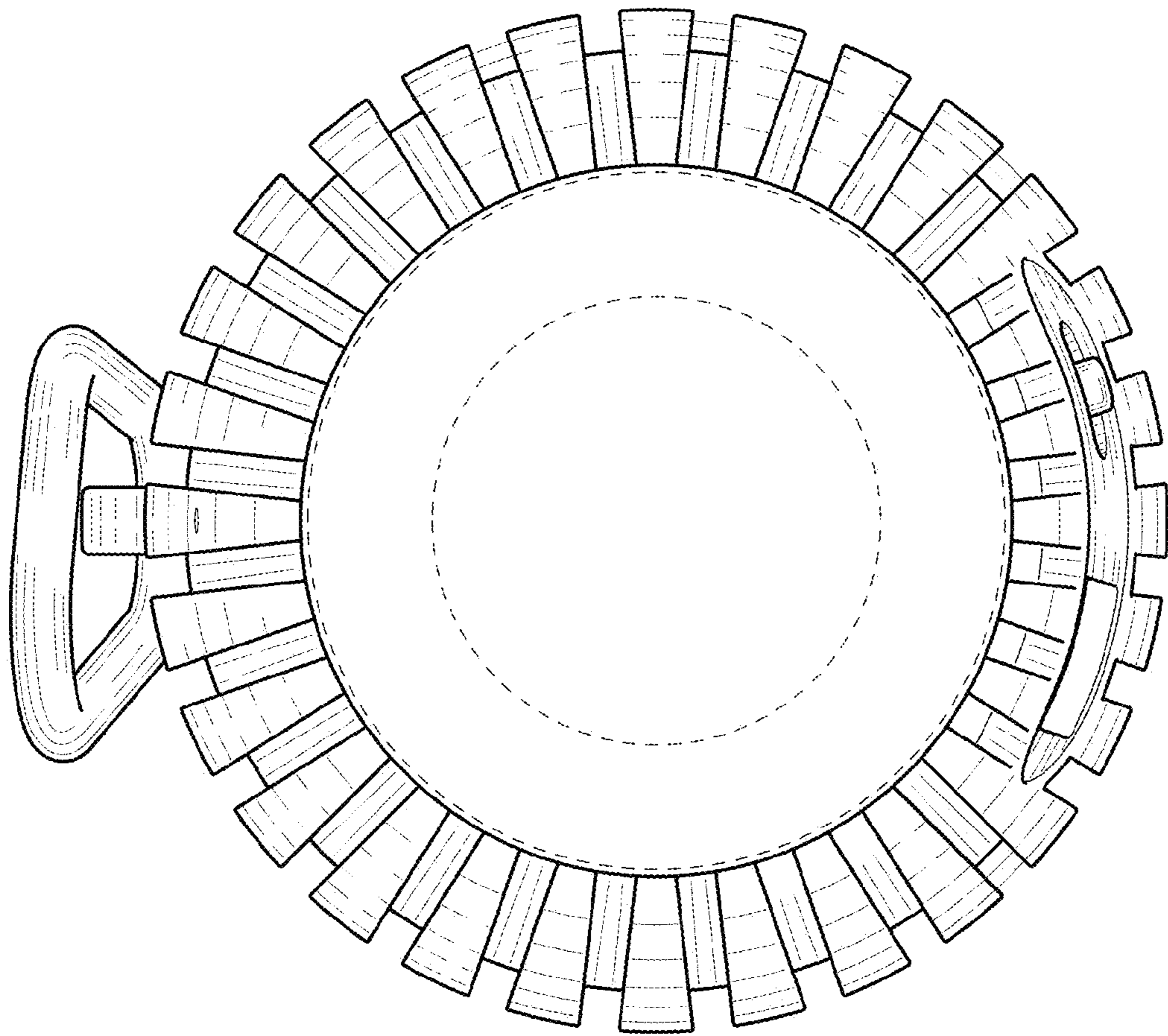


FIG. 7