



US00D717767S

(12) **United States Design Patent**
Mistry et al.

(10) **Patent No.:** **US D717,767 S**
(45) **Date of Patent:** **** Nov. 18, 2014**

- (54) **COMMUNICATIONS HEADSET**
- (71) Applicant: **Plantronics, Inc.**, Santa Cruz, CA (US)
- (72) Inventors: **Manoj K Mistry**, Santa Cruz, CA (US);
Soohyun Ham, San Francisco, CA (US);
John Kelley, Santa Cruz, CA (US); **Erik Tews**, Santa Cruz, CA (US); **Stefan Gougherty**, Oakland, CA (US)
- (73) Assignee: **Plantronics, Inc.**, Santa Cruz, CA (US)
- (**) Term: **14 Years**
- (21) Appl. No.: **29/467,720**
- (22) Filed: **Sep. 23, 2013**
- (51) **LOC (10) Cl.** **14-01**
- (52) **U.S. Cl.**
USPC **D14/206; D14/223**
- (58) **Field of Classification Search**
CPC H04M 1/05
USPC D14/206, 205, 223; 181/129, 130, 135;
379/430, 431; 381/380, 381; 455/90.3,
455/575.1
See application file for complete search history.

(56) **References Cited**

U.S. PATENT DOCUMENTS

4,420,657	A	12/1983	Larkin	
4,875,233	A *	10/1989	Derhaag et al.	379/430
4,893,344	A *	1/1990	Tragardh et al.	381/381
5,367,345	A	11/1994	da Silva	
5,450,496	A	9/1995	Burris et al.	
5,708,724	A	1/1998	Burris et al.	
D436,348	S *	1/2001	McGugan	D14/142
D453,015	S *	1/2002	Yuyama	D14/205
D480,072	S *	9/2003	Ham	D14/223
D496,636	S *	9/2004	Lodato et al.	D14/138 AB
D504,121	S *	4/2005	Robertson et al.	D14/138 AA
D504,414	S *	4/2005	Yoshida	D14/192
D504,419	S *	4/2005	Bey et al.	D14/223

D504,420	S *	4/2005	Ham	D14/225
6,980,666	B1 *	12/2005	Owen	381/371
D514,086	S *	1/2006	Skulley	D14/206
D517,053	S *	3/2006	Ham	D14/223
D519,498	S *	4/2006	Ham	D14/225
D535,980	S *	1/2007	Bentley et al.	D14/225
D537,815	S *	3/2007	Bentley et al.	D14/225
D540,302	S *	4/2007	Hagiwara et al.	D14/205
D557,684	S *	12/2007	Pundsack et al.	D14/205
D587,683	S *	3/2009	Ham et al.	D14/205
D587,684	S *	3/2009	Ham et al.	D14/205
D589,492	S *	3/2009	Mistry	D14/205
D591,263	S *	4/2009	Shimizu	D14/205
D592,182	S *	5/2009	Sanguinetti	D14/205
D592,640	S *	5/2009	Tkachuk	D14/205
D593,995	S *	6/2009	Shimizu	D14/205
D598,895	S *	8/2009	Bentley et al.	D14/206
D602,908	S *	10/2009	Ham et al.	D14/206

(Continued)

OTHER PUBLICATIONS

Gougherty et al., "Interchangeable Wearing Modes for a Headset," U.S. Appl. No. 14/033,764, filed Sep. 23, 2013.

Primary Examiner — Paula Greene

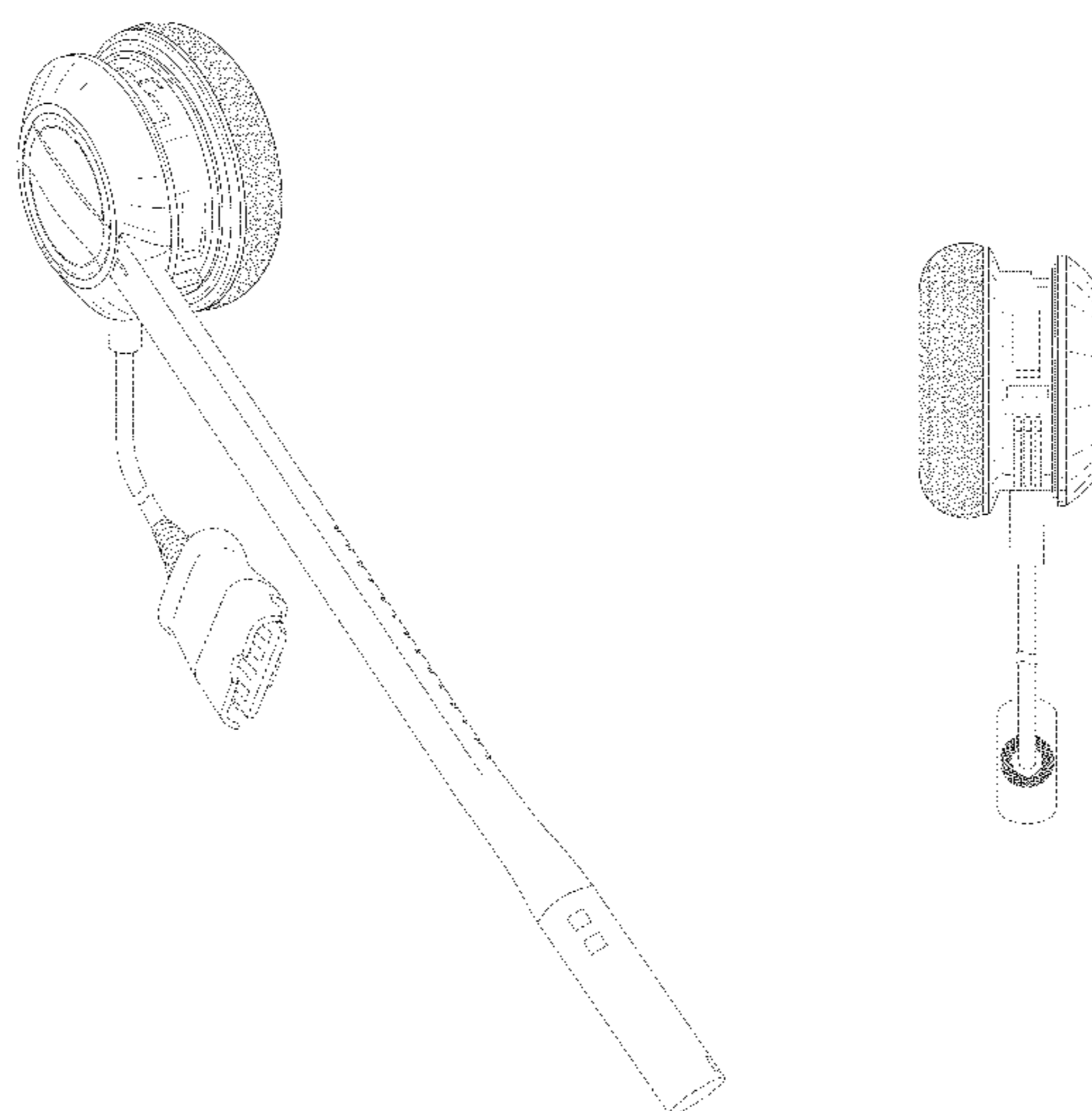
(57) **CLAIM**

The ornamental design for a communications headset, as shown and described.

DESCRIPTION

FIG. 1 is a perspective view of a communications headset showing our new design;
FIG. 2 is a front view thereof;
FIG. 3 is a back view thereof;
FIG. 4 is a right side view thereof;
FIG. 5 is a left side view thereof;
FIG. 6 is a top view thereof; and,
FIG. 7 is a bottom view thereof.
The broken lines showing the unclaimed features form no part of the claimed design.

1 Claim, 5 Drawing Sheets



(56)

References Cited

U.S. PATENT DOCUMENTS

D604,722 S *	11/2009	Mistry	D14/223	D673,524 S *	1/2013	Brennwald	D14/206
D628,189 S *	11/2010	Rath	D14/206	D681,003 S *	4/2013	Ham et al.	D14/206
D635,548 S *	4/2011	Kelley	D14/206	D681,004 S *	4/2013	Kelley	D14/206
D638,000 S *	5/2011	Hoggarth	D14/206	D681,014 S *	4/2013	Ham et al.	D14/223
D643,405 S *	8/2011	Rath	D14/206	D684,145 S *	6/2013	Rath	D14/224
D653,649 S *	2/2012	Yang et al.	D14/206	D685,345 S *	7/2013	Serota	D14/205
D666,168 S *	8/2012	Rath	D14/206	D691,110 S *	10/2013	Ham et al.	D14/205
				D691,113 S *	10/2013	Gougherty et al.	D14/206
				2005/0226452 A1 *	10/2005	Amae et al.	381/381
				2005/0286717 A1 *	12/2005	Viduya et al.	379/430

* cited by examiner

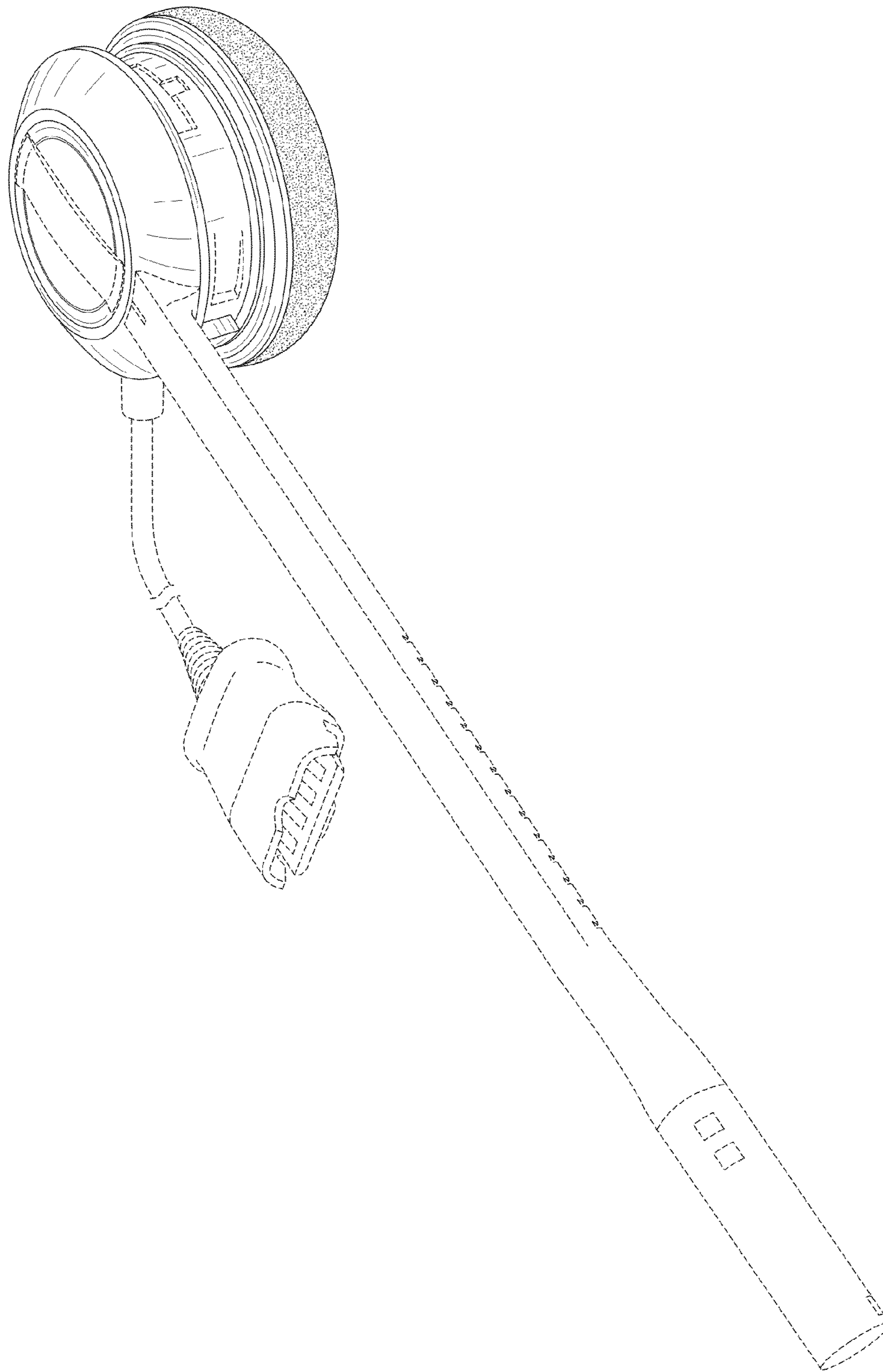


FIG. 1

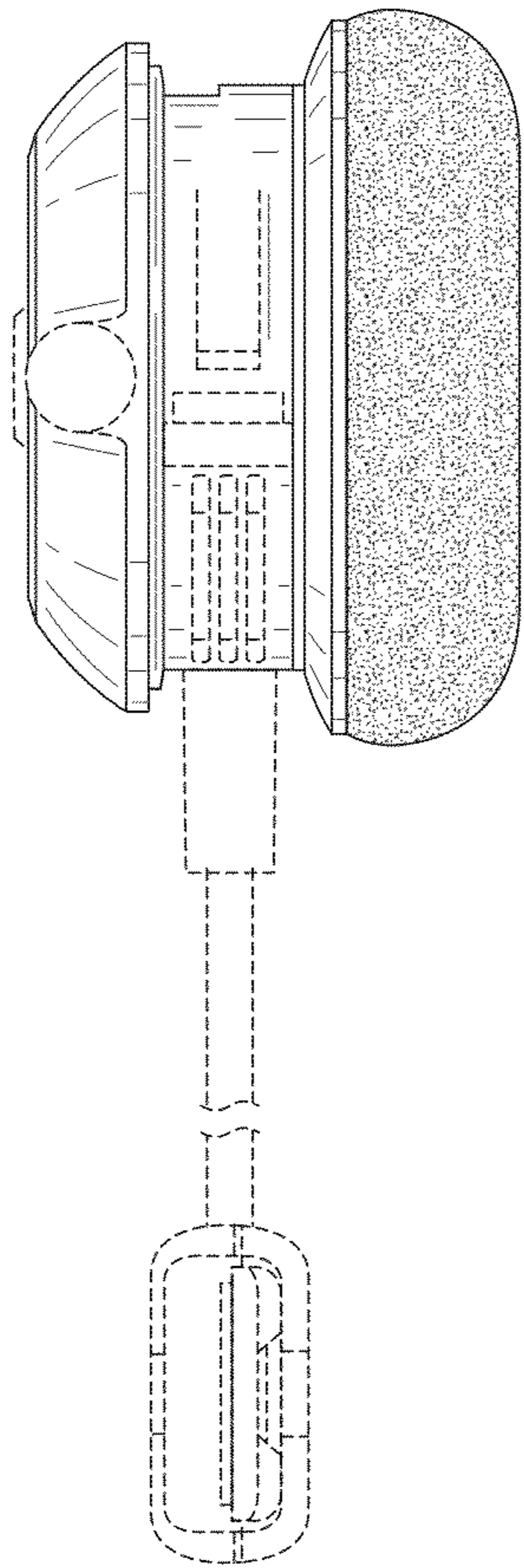


FIG. 2

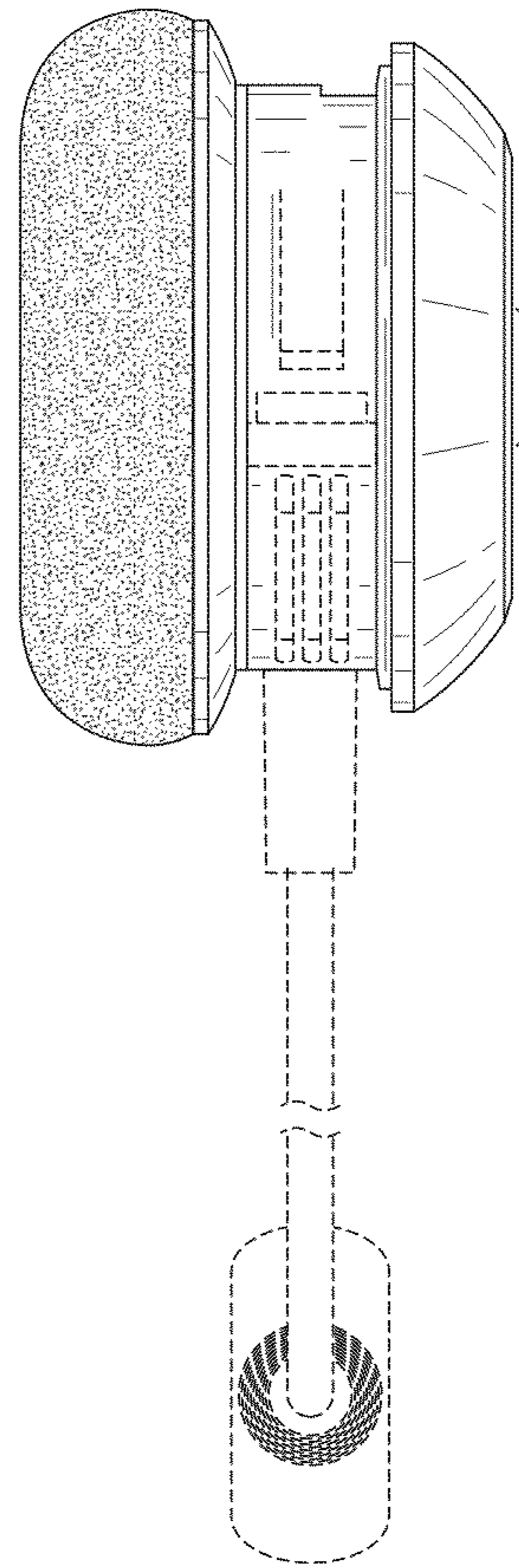


FIG. 3

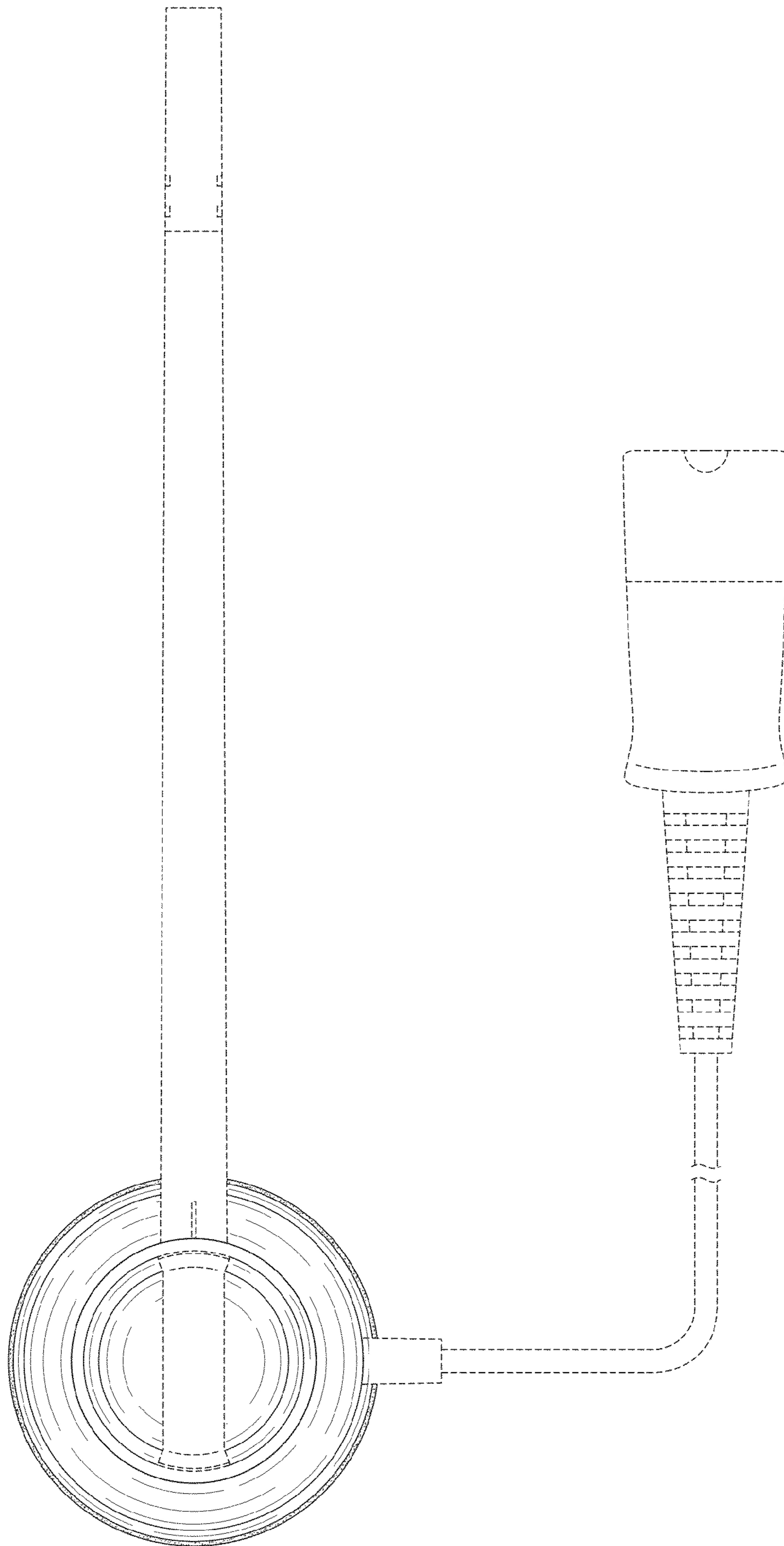


FIG. 4

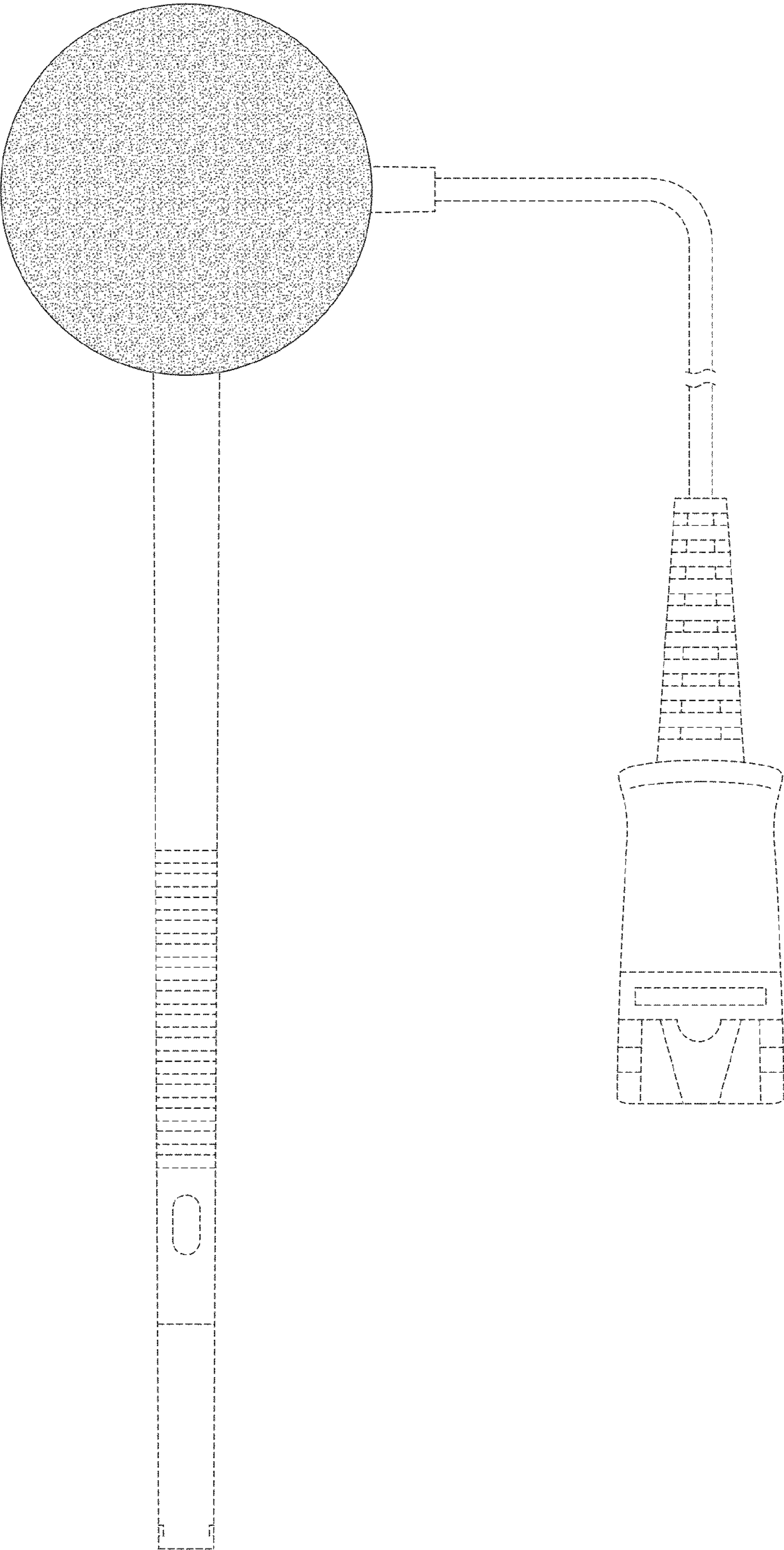


FIG. 5

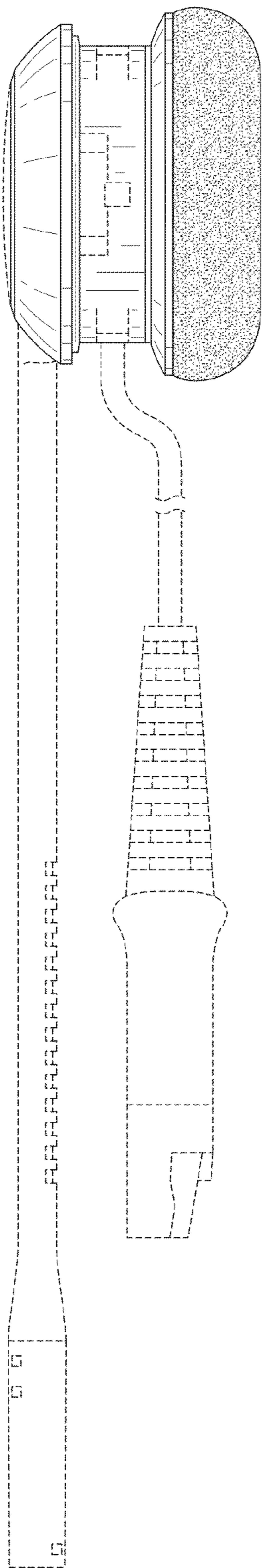


FIG. 6

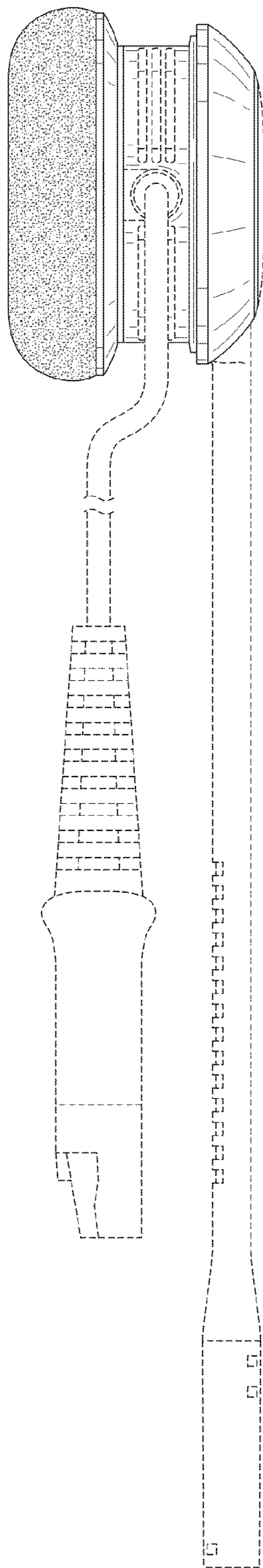


FIG. 7