



US00D717766S

(12) **United States Design Patent**
Mchatet

(10) **Patent No.:** **US D717,766 S**

(45) **Date of Patent:** **** Nov. 18, 2014**

(54) **HEADPHONES**

(71) Applicant: **Hamid Mchatet**, Miramar, FL (US)

(72) Inventor: **Hamid Mchatet**, Miramar, FL (US)

(**) Term: **14 Years**

(21) Appl. No.: **29/478,207**

(22) Filed: **Jan. 2, 2014**

(51) **LOC (10) Cl.** **14-01**

(52) **U.S. Cl.**
USPC **D14/205**

(58) **Field of Classification Search**
CPC H04R 25/00
USPC D14/205, 223; D29/112; 2/209;
181/129, 130, 135; 379/430, 431;
381/380, 381, 383, 374, 370; 455/90.3,
455/575.1

See application file for complete search history.

(56) **References Cited**

U.S. PATENT DOCUMENTS

D237,307 S *	10/1975	Mijamoto	D14/192
D386,181 S *	11/1997	Fisher	D14/205
D439,574 S *	3/2001	Katayama	D14/203.5
7,072,483 B2 *	7/2006	Lenhard-Backhaus	381/383
D552,077 S *	10/2007	Brunner et al.	D14/205
D557,684 S *	12/2007	Pundsack et al.	D14/205
D573,581 S *	7/2008	Gondo et al.	D14/205
D585,879 S *	2/2009	Schulman	D14/223
D588,100 S *	3/2009	Densho et al.	D14/205
D591,263 S *	4/2009	Shimizu	D14/205
D593,995 S *	6/2009	Shimizu	D14/205

D625,705 S *	10/2010	Ohuri et al.	D14/205
D632,668 S *	2/2011	Brunner et al.	D14/205
D634,732 S *	3/2011	Kondo et al.	D14/205
D652,406 S *	1/2012	Lee et al.	D14/205
D673,520 S *	1/2013	Tan	D14/205
D675,595 S *	2/2013	Cho et al.	D14/205
D690,682 S *	10/2013	Iacovelli et al.	D14/205
D693,791 S *	11/2013	Troy	D14/205
D697,495 S *	1/2014	Lian	D14/205
D699,702 S *	2/2014	Chen	D14/205
8,649,547 B2 *	2/2014	Hsu Huang et al.	381/385
D709,860 S *	7/2014	Brunner et al.	D14/205
D711,348 S *	8/2014	Yang	D14/205

* cited by examiner

Primary Examiner — Paula Greene

(74) *Attorney, Agent, or Firm* — Albert Bordas, P.A.

(57) **CLAIM**

The ornamental design for headphones, as shown and described.

DESCRIPTION

FIG. 1 is a perspective front view of an ornamental design for headphones;

FIG. 2 is a front elevation view of the headphones; the rear elevation view being a mirror image thereof;

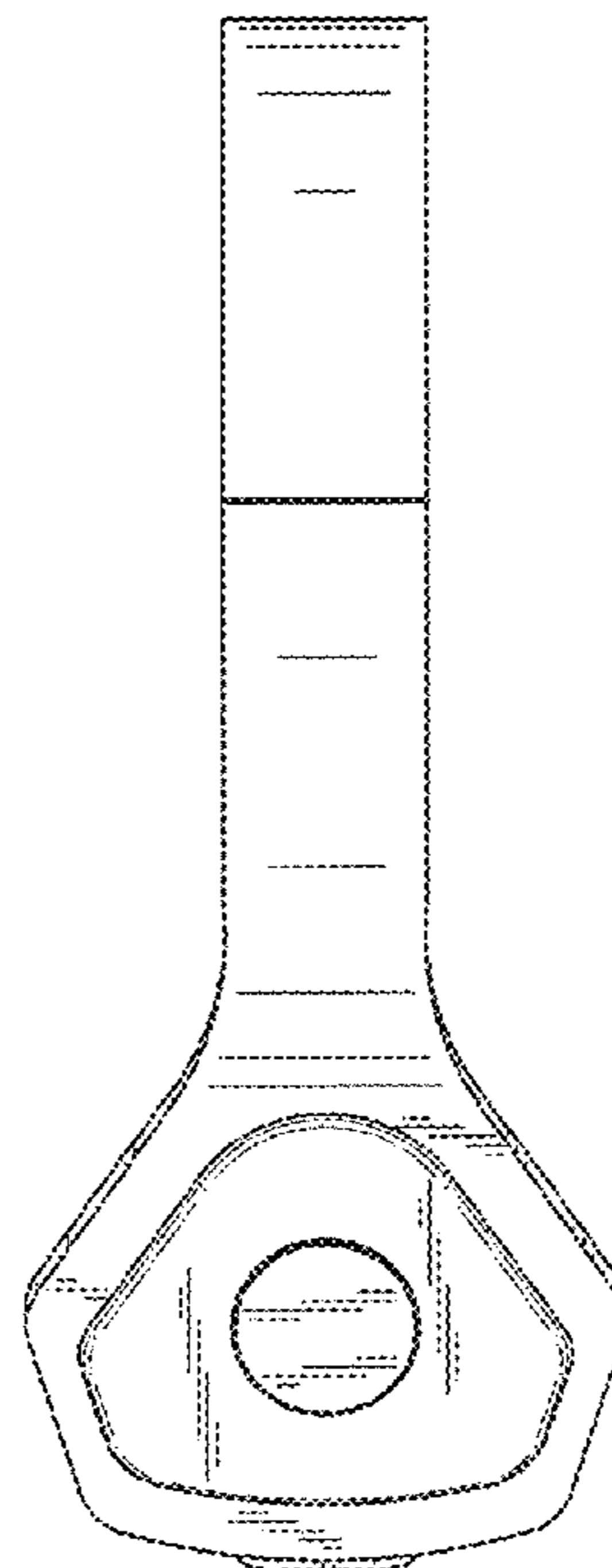
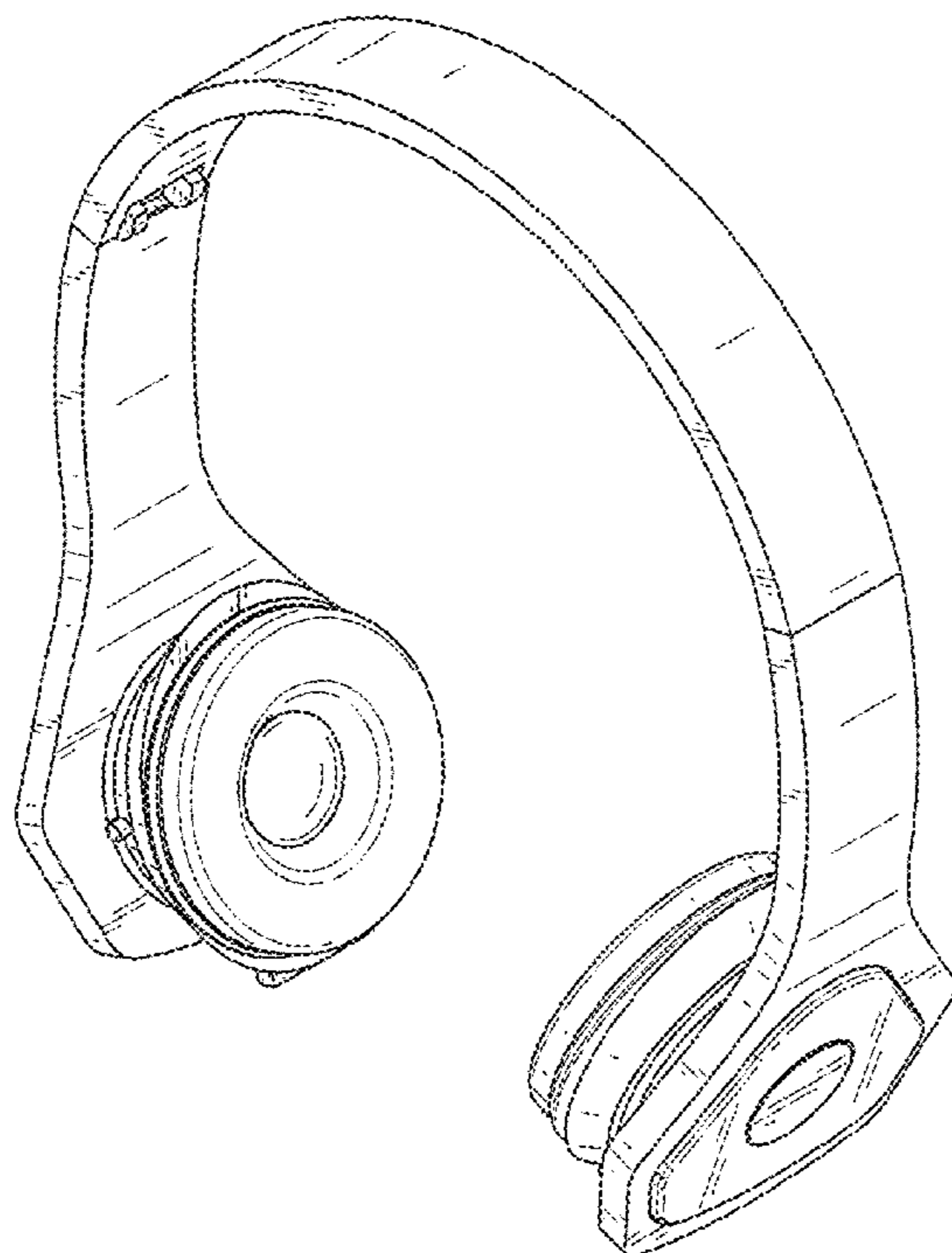
FIG. 3 is a left side elevation view of the headphones; the right side view being a mirror image thereof;

FIG. 4 is a top plan view of the headphones;

FIG. 5 is a bottom plan view of the headphones; and,

FIG. 6 is a front elevation view of the headphones in a folded configuration.

1 Claim, 3 Drawing Sheets



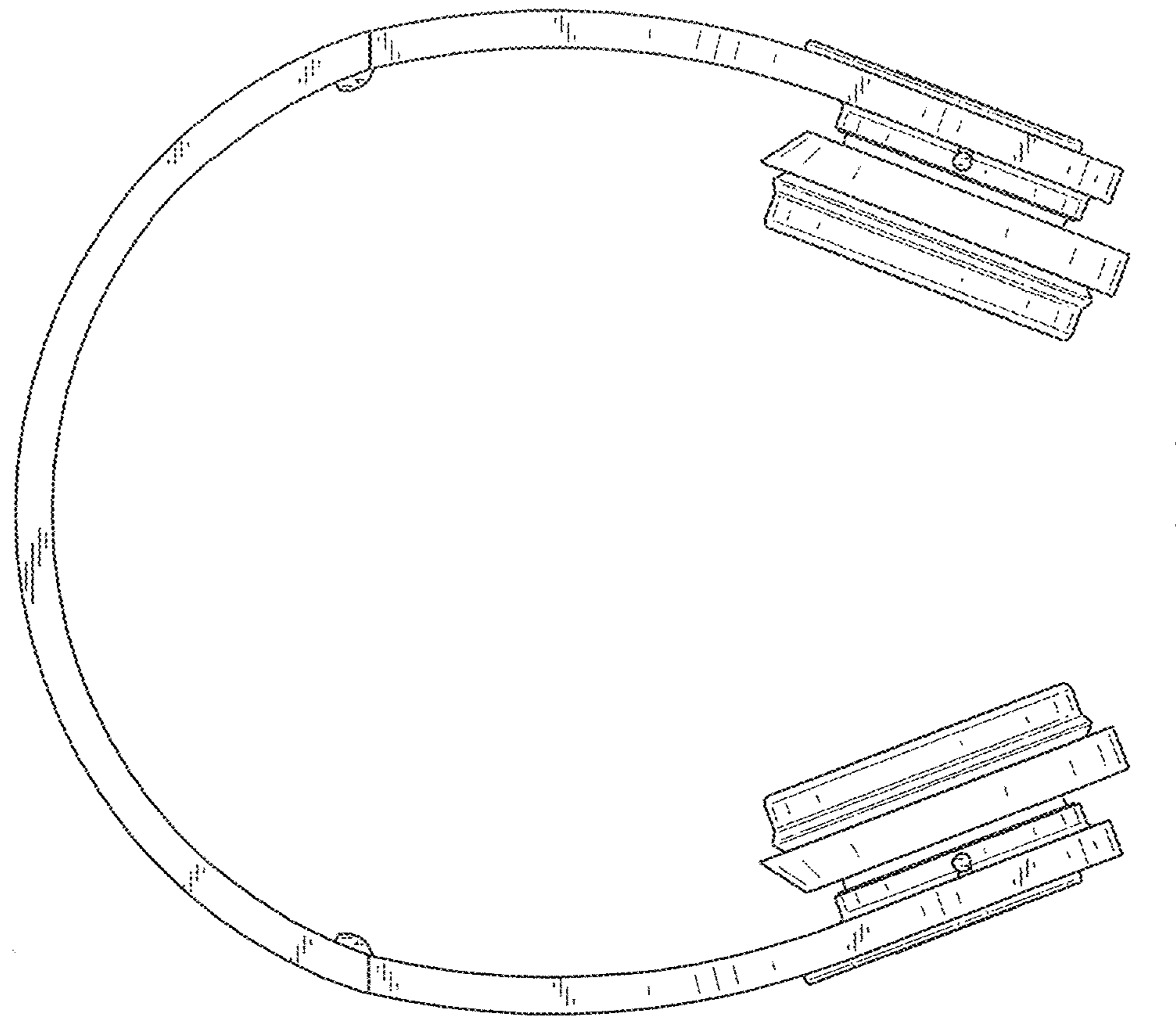


FIG. 2

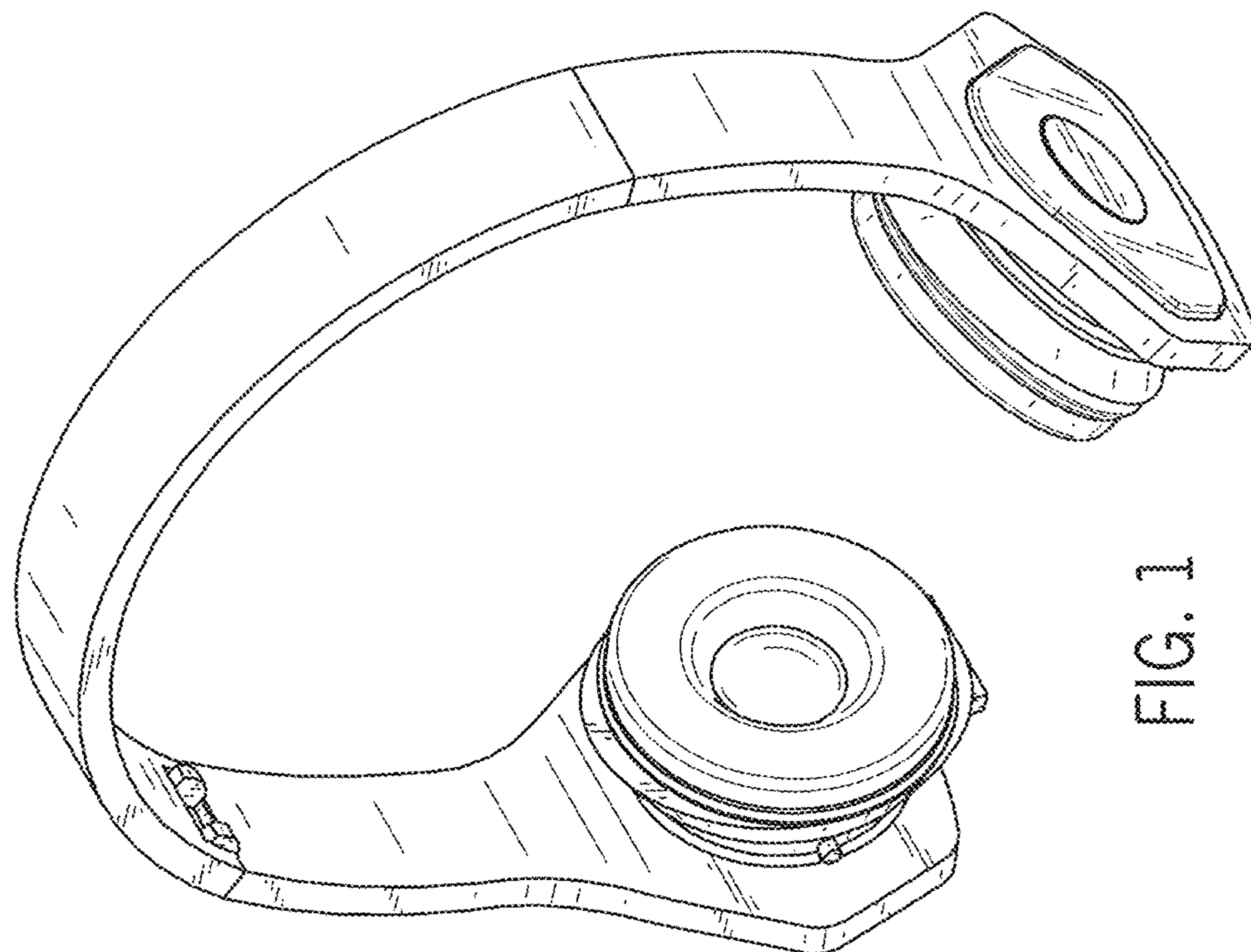


FIG. 1

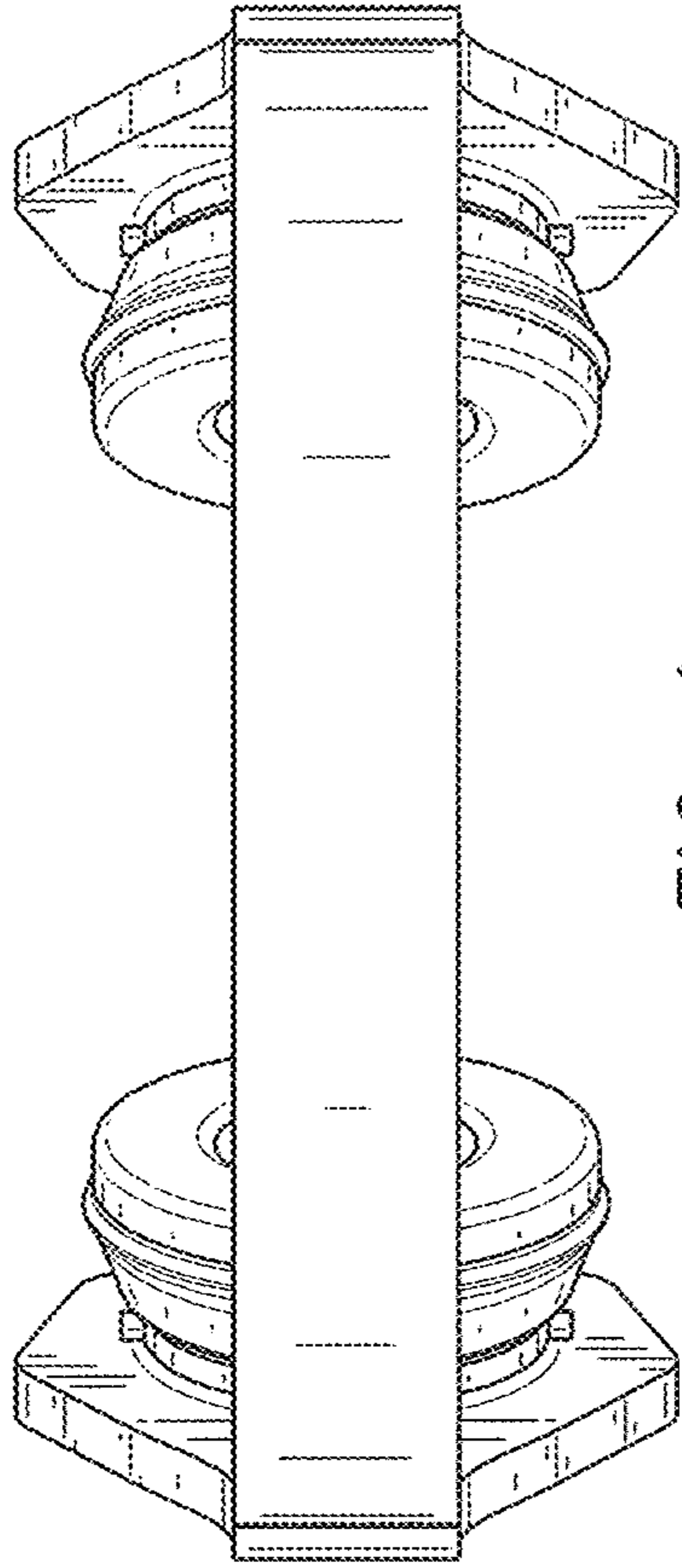


FIG. 4

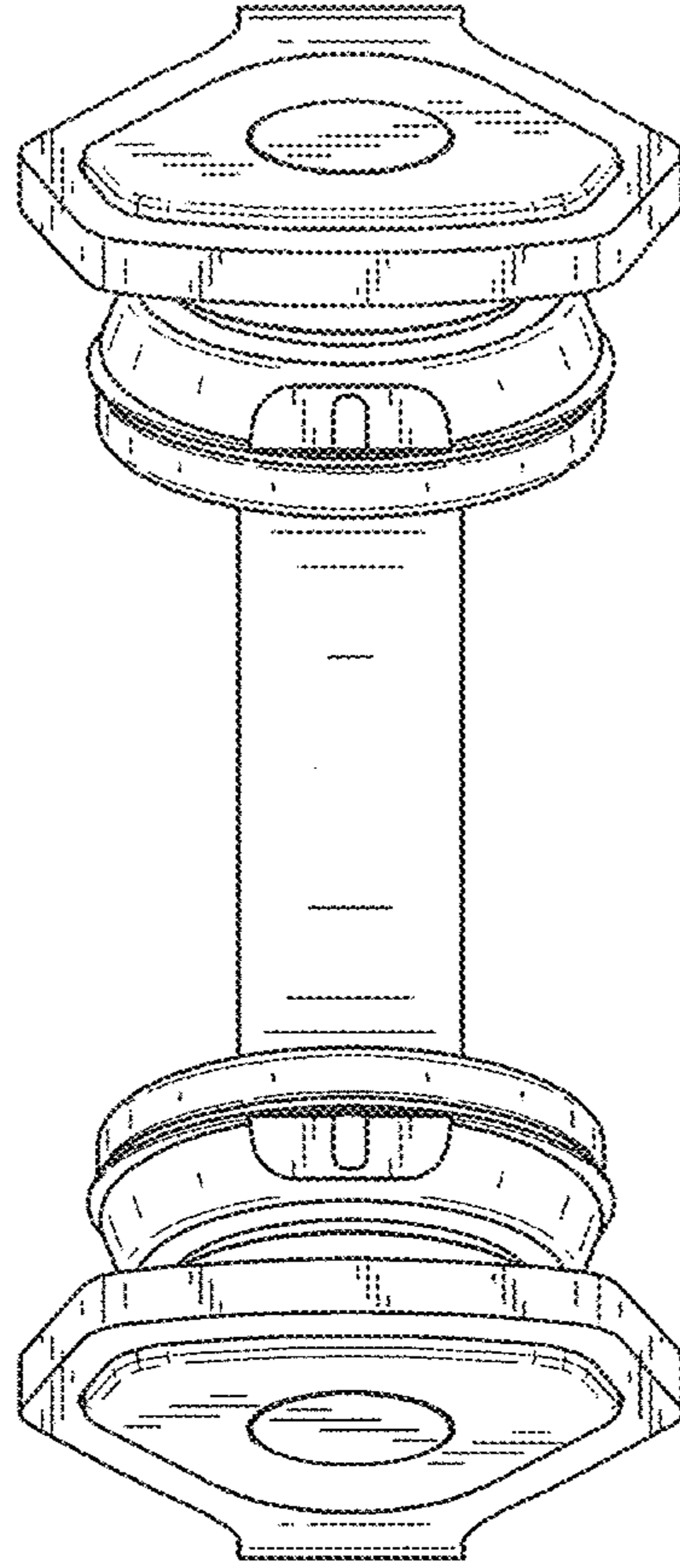


FIG. 5

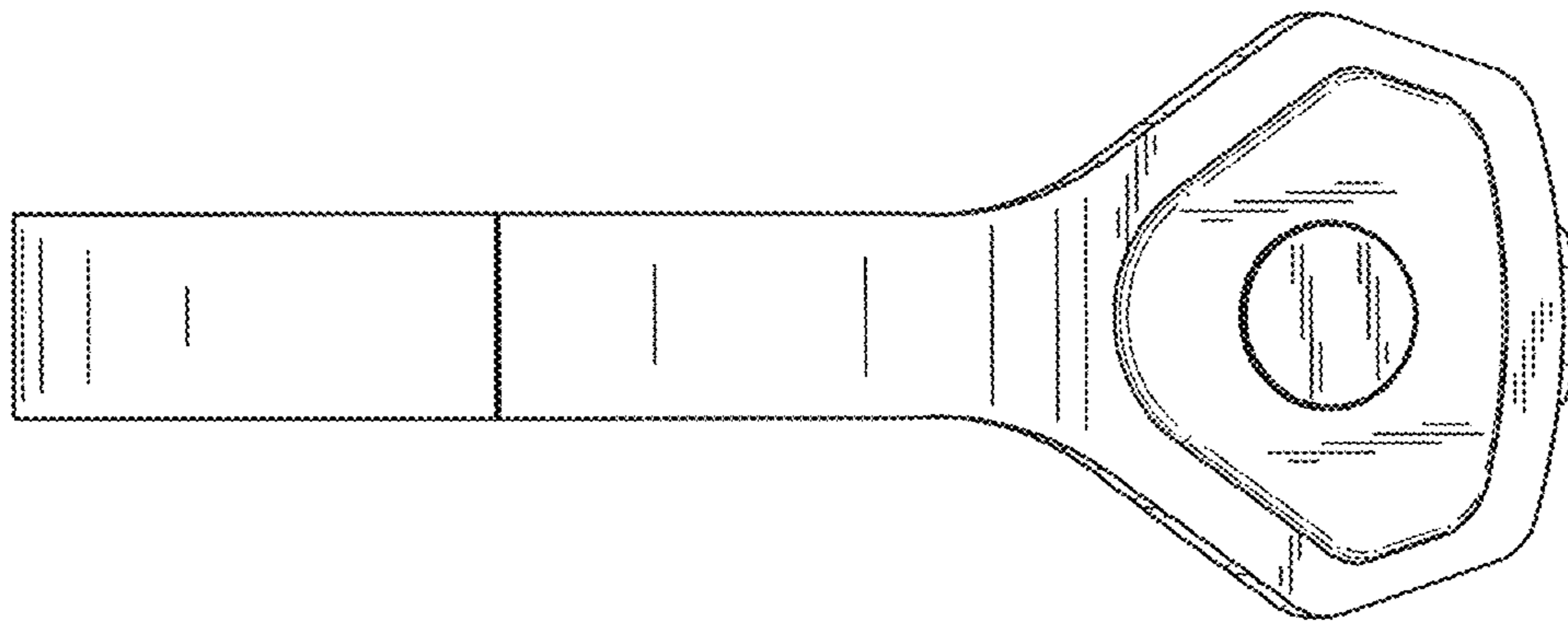


FIG. 3

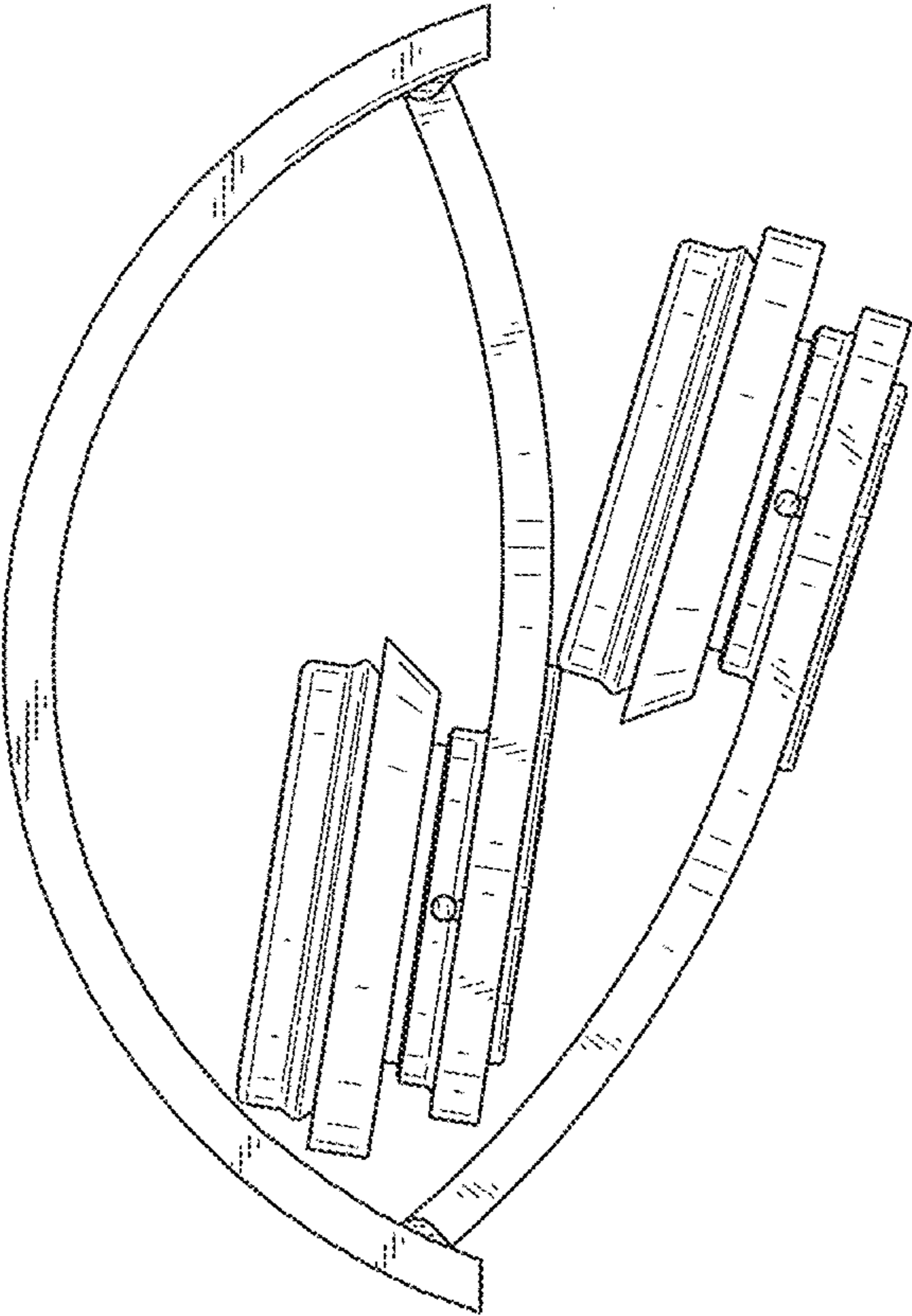


FIG. 6