



US00D717764S

(12) **United States Design Patent**
Lee et al.

(10) **Patent No.:** **US D717,764 S**
(45) **Date of Patent:** **** Nov. 18, 2014**

(54) **HEADPHONES**

(71) Applicant: **Monster, LLC**, Las Vegas, NV (US)

(72) Inventors: **Noel Lee**, Las Vegas, NV (US);
Kendrew Lee, Hong Kong (CN);
Claudio Turrisi, Hong Kong (CN)

(73) Assignee: **Monster, LLC**, Las Vegas, NV (US)

(**) Term: **14 Years**

(21) Appl. No.: **29/466,134**

(22) Filed: **Sep. 4, 2013**

(51) **LOC (10) Cl.** **14-01**

(52) **U.S. Cl.**
USPC **D14/205**

(58) **Field of Classification Search**
USPC D14/205; 181/129, 130, 135; 379/430,
379/431; 381/380, 381; 455/90.3, 575.1
See application file for complete search history.

(56) **References Cited**

U.S. PATENT DOCUMENTS

D305,541 S *	1/1990	Hirose	D14/205
D338,010 S *	8/1993	Yamatogi	D14/205
D345,162 S *	3/1994	Yamatogi	D14/205
D351,172 S *	10/1994	Nakamura et al.	D14/205
D449,034 S *	10/2001	Weikel et al.	D14/205
D512,981 S *	12/2005	Jacobson et al.	D14/205
7,072,483 B2 *	7/2006	Lenhard-Backhaus	381/383

D534,155 S *	12/2006	Obata	D14/205
D540,777 S *	4/2007	Rausch et al.	D14/205
D541,257 S *	4/2007	Thursfield	D14/205
D632,668 S *	2/2011	Brunner et al.	D14/205
D656,480 S *	3/2012	McManigal et al.	D14/205
D657,344 S *	4/2012	Brunner et al.	D14/205
D666,991 S *	9/2012	Lee et al.	D14/205
D673,136 S *	12/2012	Kelly et al.	D14/205
D673,518 S *	1/2013	Tan	D14/205
D677,648 S *	3/2013	Lee et al.	D14/206
D684,139 S *	6/2013	Miyake et al.	D14/205
D696,228 S *	12/2013	Miyake et al.	D14/205
D699,702 S *	2/2014	Chen	D14/205

* cited by examiner

Primary Examiner — Paul Greene

(74) *Attorney, Agent, or Firm* — Sentinel IP; John Nielsen

(57) **CLAIM**

The ornamental design for headphones, as shown and described.

DESCRIPTION

FIG. 1 is a perspective view of headphones, showing the new design, where the opposite front face of the ear cushion is a mirror image;

FIG. 2 is a front view thereof;

FIG. 3 is a rear view thereof;

FIG. 4 is a side view thereof;

FIG. 5 is a top view thereof; and,

FIG. 6 is a bottom view thereof.

The broken lines of the headphones that form no part of the claimed design.

1 Claim, 3 Drawing Sheets

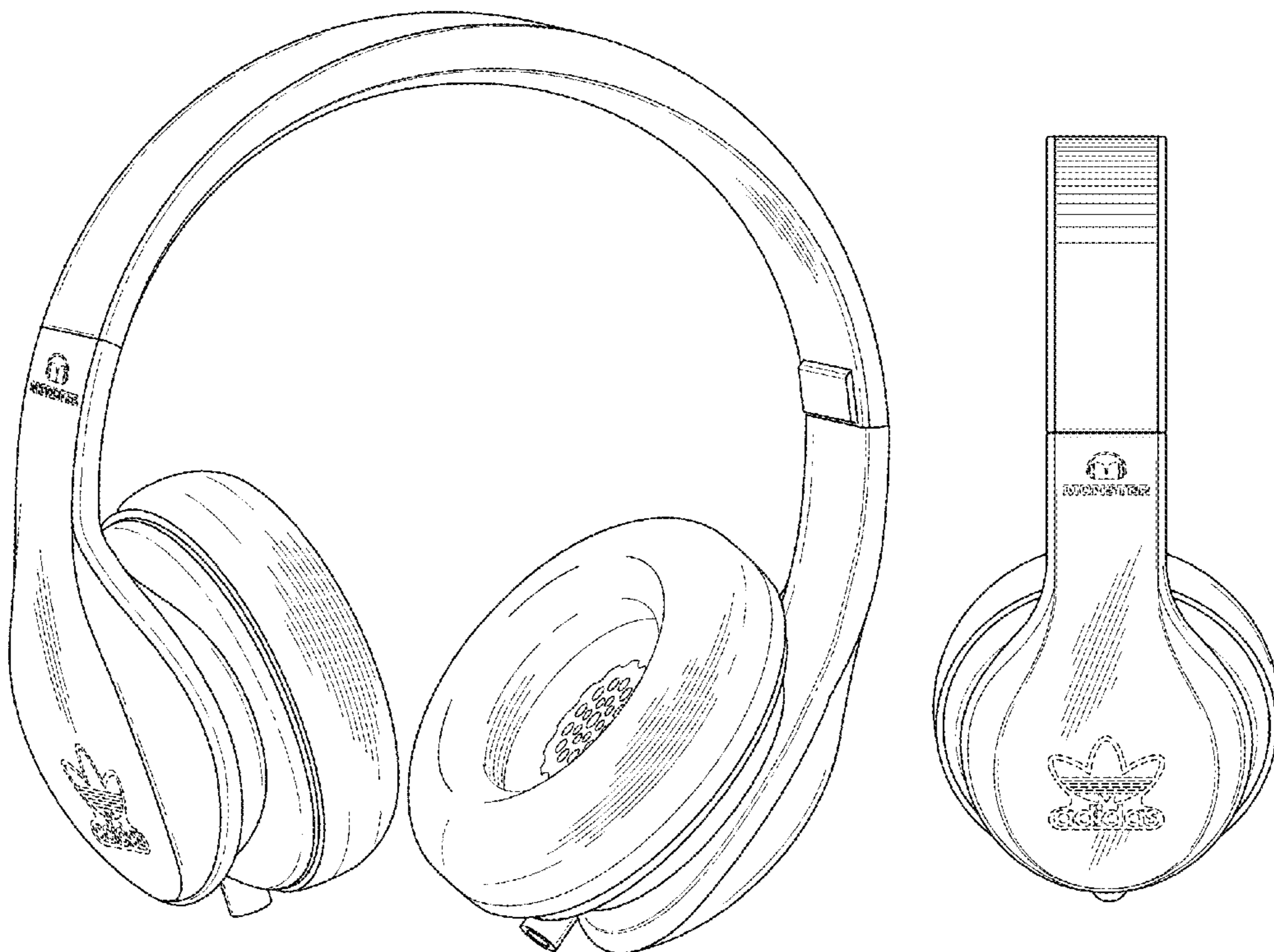




FIG. 1

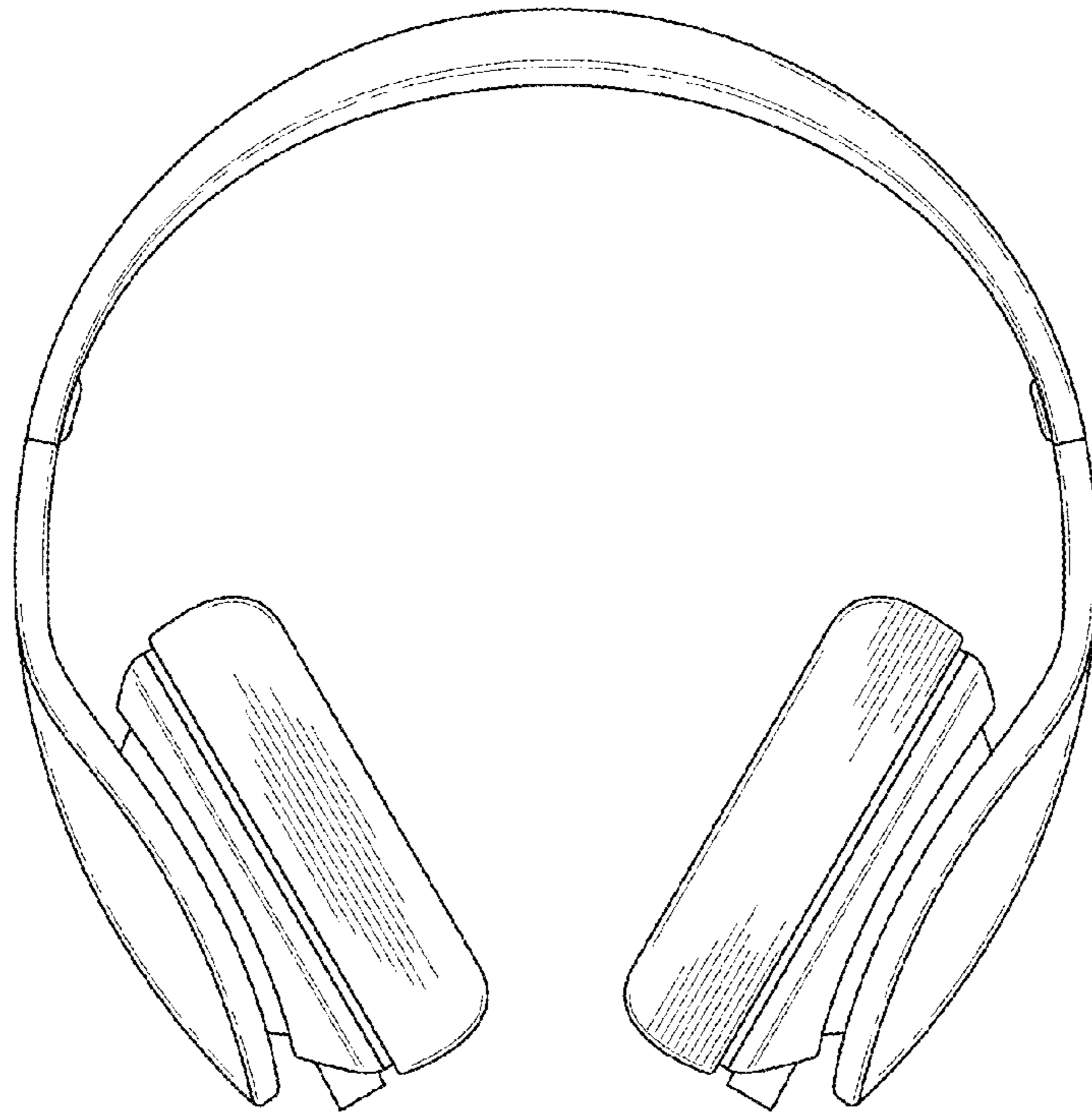


FIG. 2

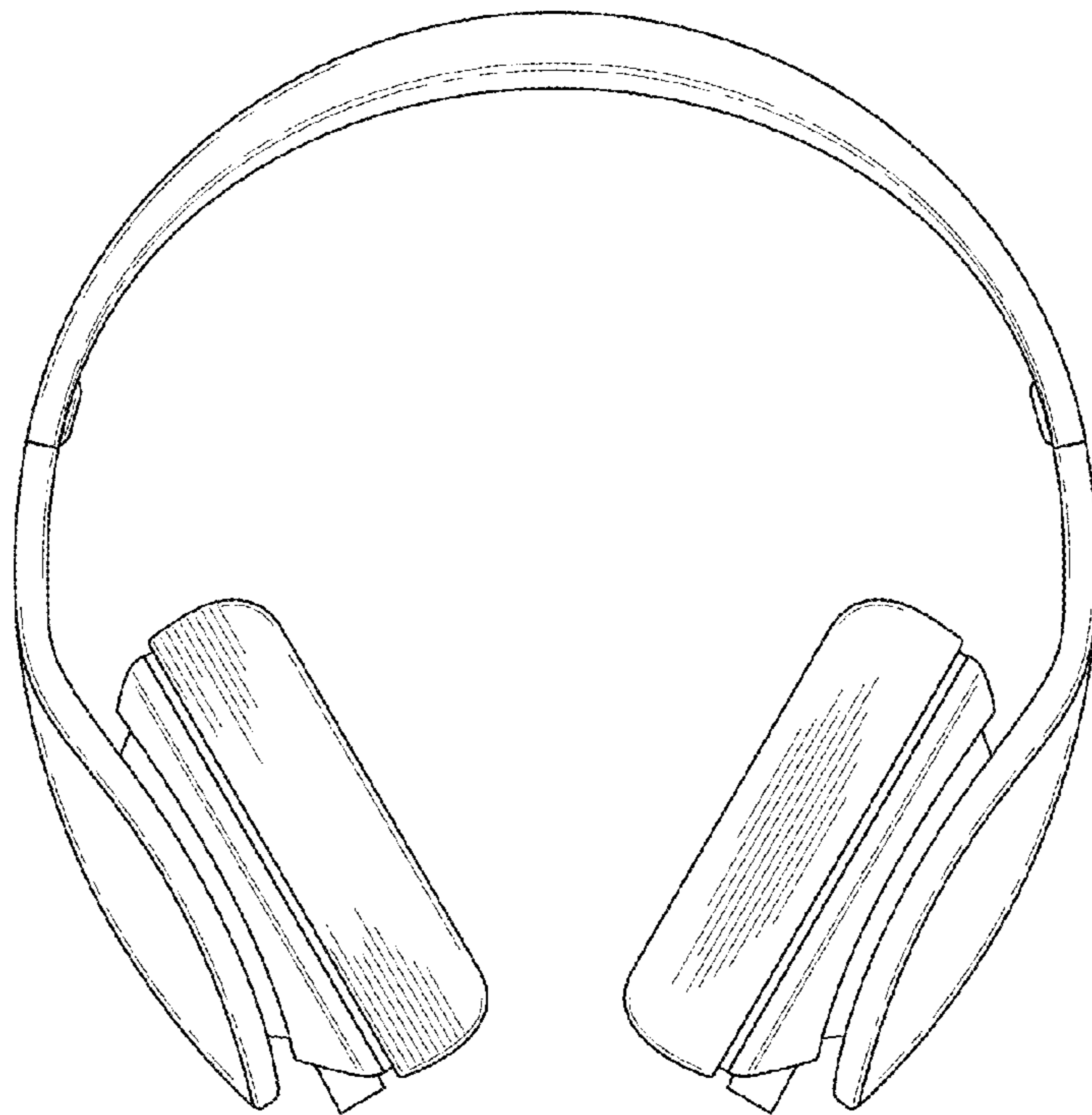


FIG. 3

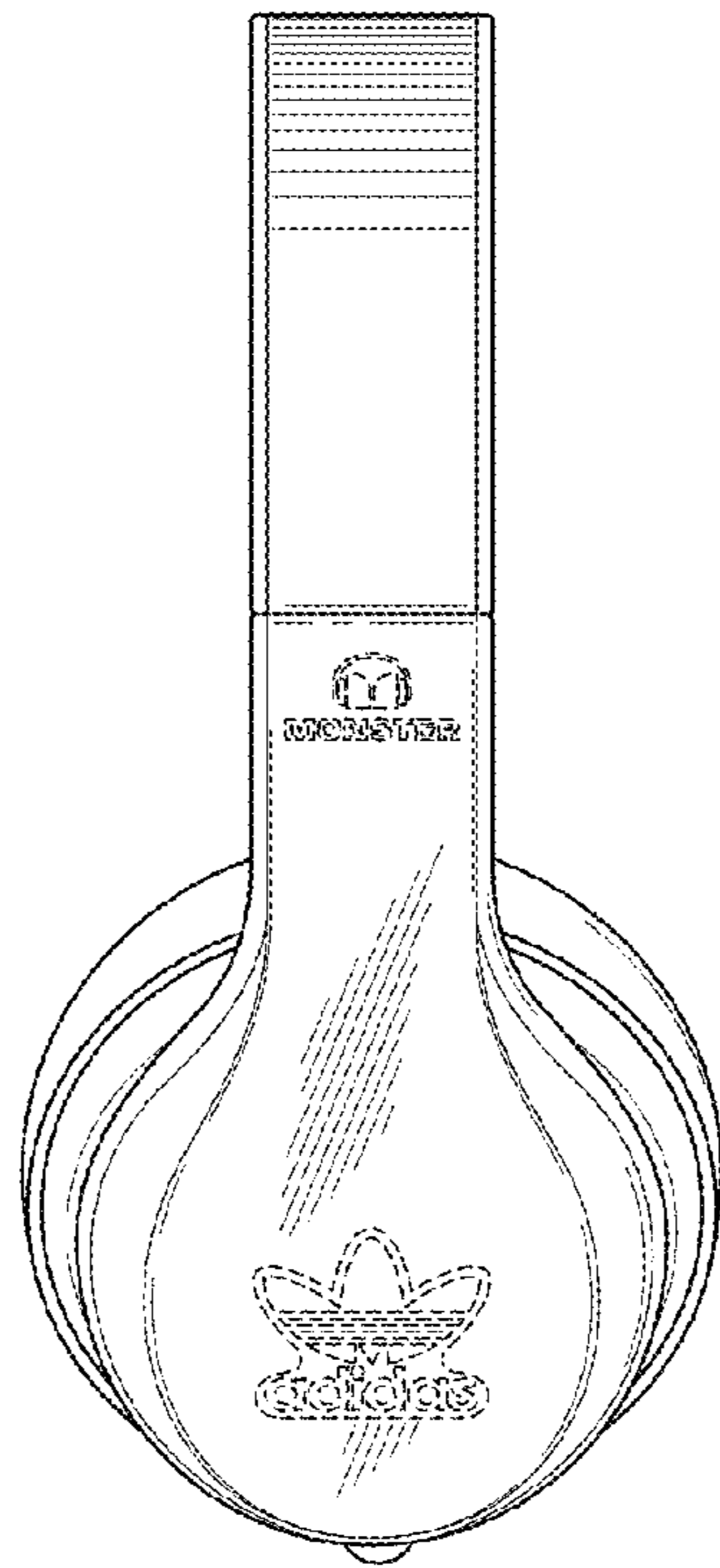


FIG. 4

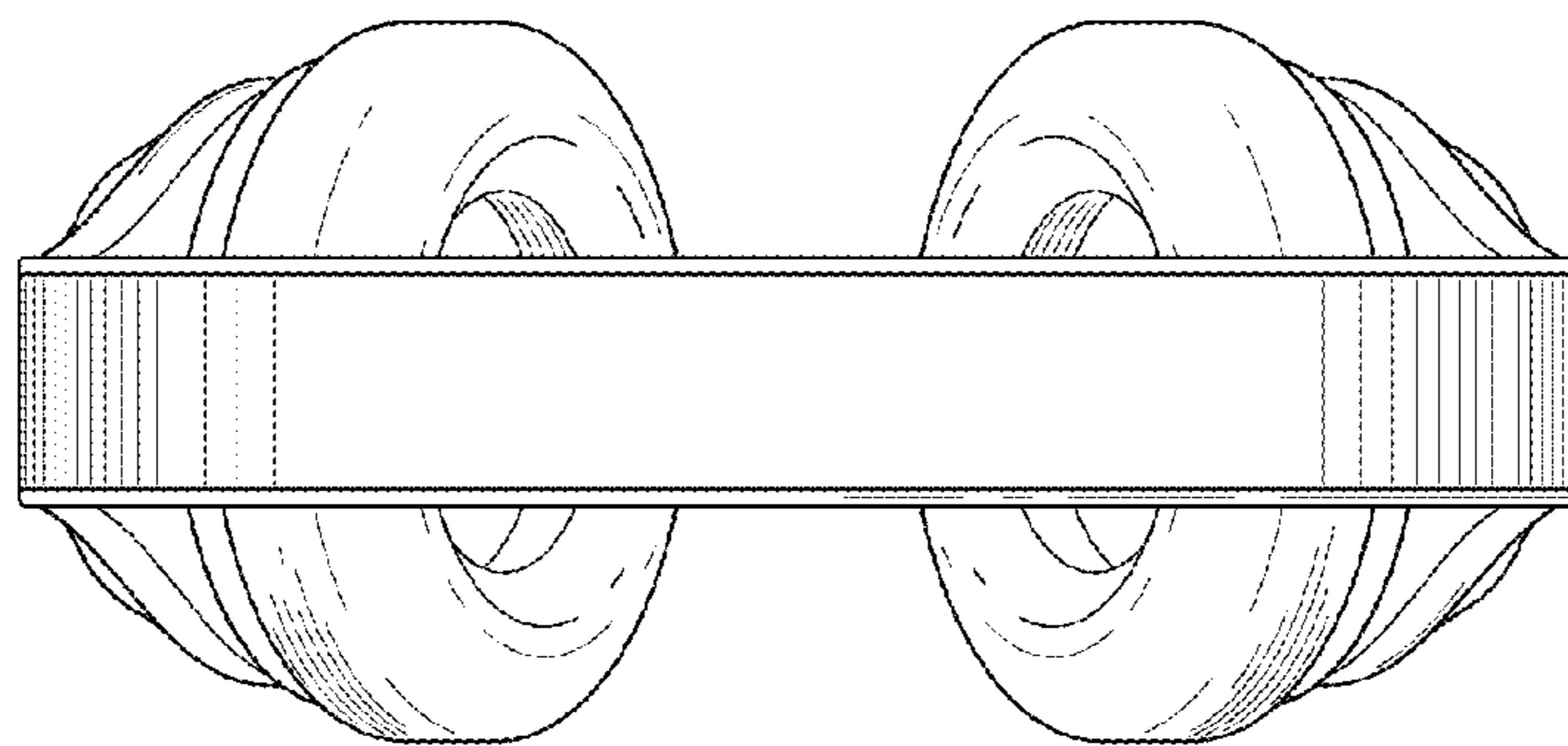


FIG. 5

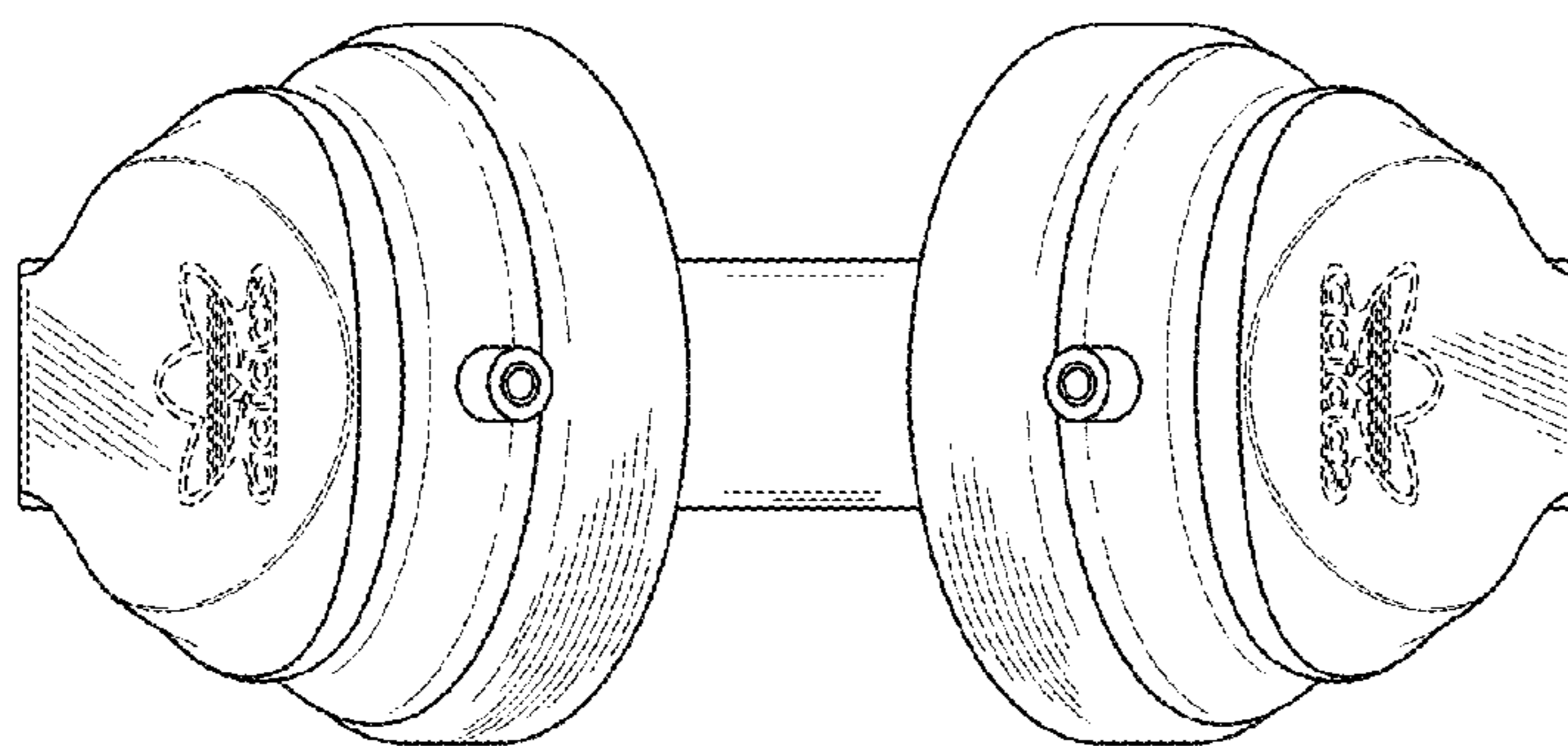


FIG. 6