

US00D717763S

(12) **United States Design Patent**
Han

(10) **Patent No.:** **US D717,763 S**

(45) **Date of Patent:** **** Nov. 18, 2014**

(54) **DIGITAL AUDIO PLAYER**

(71) Applicant: **Iriver Limited**, Seoul (KR)

(72) Inventor: **Jeong Beom Han**, Seoul (KR)

(73) Assignee: **Iriver Limited**, Seoul (KR)

(**) Term: **14 Years**

(21) Appl. No.: **29/466,149**

(22) Filed: **Sep. 4, 2013**

(30) **Foreign Application Priority Data**

Aug. 9, 2013 (KR) 30-2013-0041223

(51) **LOC (10) Cl.** **14-03**

(52) **U.S. Cl.**
USPC **D14/203.7; D14/496**

(58) **Field of Classification Search**
CPC H04J 11/00; H04J 13/00; H04J 14/00
USPC D14/496, 401, 435, 474, 483, 217, 137,
D14/138, 160, 168, 356, 203.1–203.8, 507;
345/156, 169, 173–179, 905;
715/727–729, 864; 710/1, 5, 8; 713/1,
713/600; 455/1.1, 1.7, 73, 344–347, 93, 95,
455/3.01–3.06, 550.1, 573.1; 370/342–344;
369/1, 2, 6–12; 463/43–47; 273/148 B
See application file for complete search history.

(56) **References Cited**

U.S. PATENT DOCUMENTS

5,859,594 A * 1/1999 King et al. 340/7.55
6,977,675 B2 * 12/2005 Kotzin 348/208.2

D516,083 S * 2/2006 Kataoka D14/203.7
7,184,802 B2 * 2/2007 Chadha 455/575.1
D539,305 S * 3/2007 Kim et al. D14/203.7
7,281,214 B2 * 10/2007 Fadell 715/745
D555,170 S * 11/2007 Dai D14/496
D598,426 S * 8/2009 Kim et al. D14/203.7
7,856,255 B2 * 12/2010 Tsuchiya et al. 455/575.1
D638,395 S * 5/2011 Finnegan D14/203.7
D699,701 S * 2/2014 Kim D14/203.7

* cited by examiner

Primary Examiner — Prabhakar Deshmukh

(74) *Attorney, Agent, or Firm* — Li & Cai Intellectual Property (USA) Office

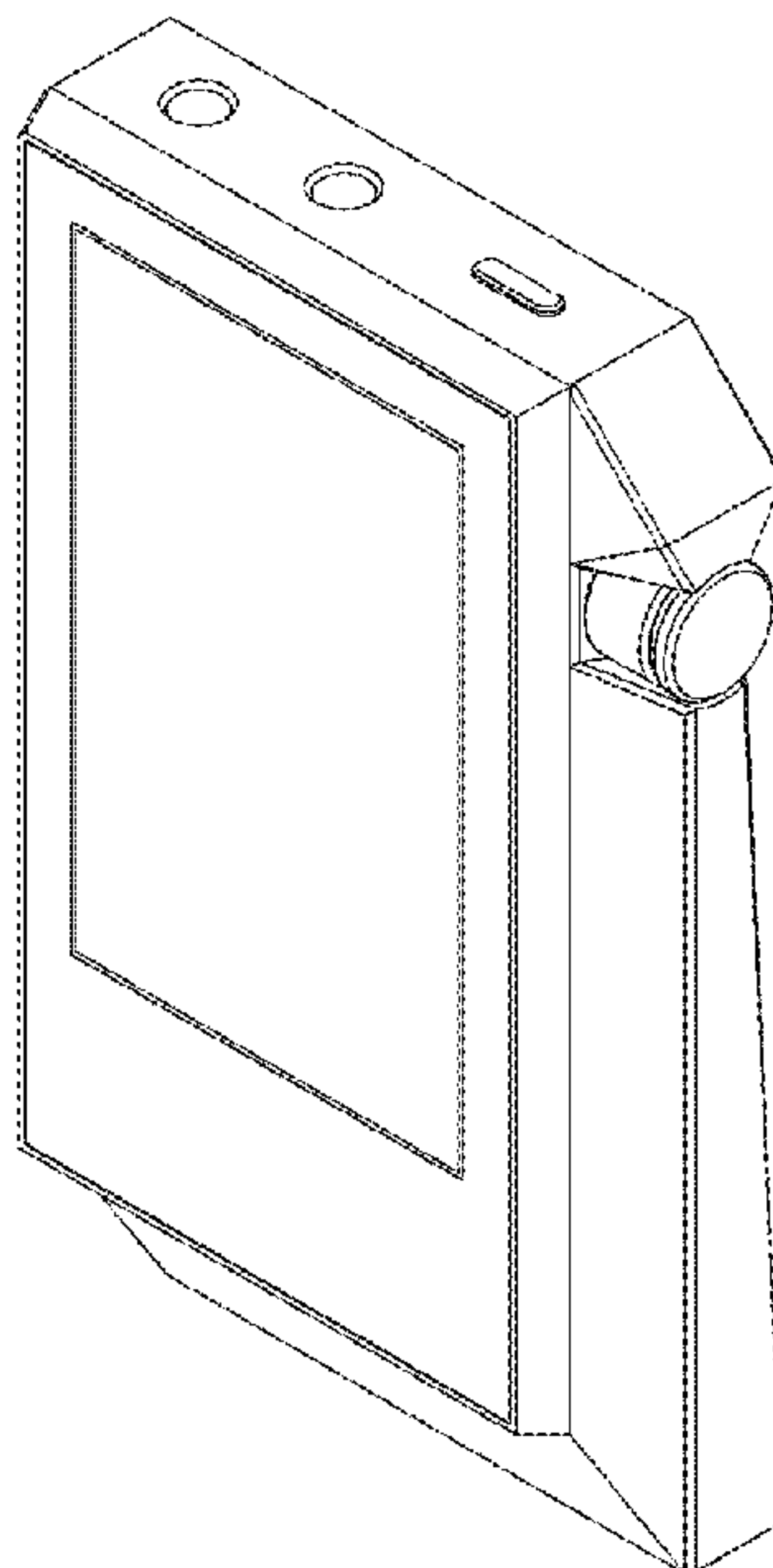
(57) **CLAIM**

The ornamental design for a digital audio player, as shown and described.

DESCRIPTION

FIG. 1 is a perspective view of a digital audio player showing my new design;
FIG. 2 a front elevation thereof;
FIG. 3 is a rear elevation thereof;
FIG. 4 is a left side elevation thereof;
FIG. 5 is a right side elevation thereof;
FIG. 6 is a top plan view thereof;
FIG. 7 is a bottom plan view thereof; and,
FIG. 8 is another perspective view thereof.

1 Claim, 8 Drawing Sheets



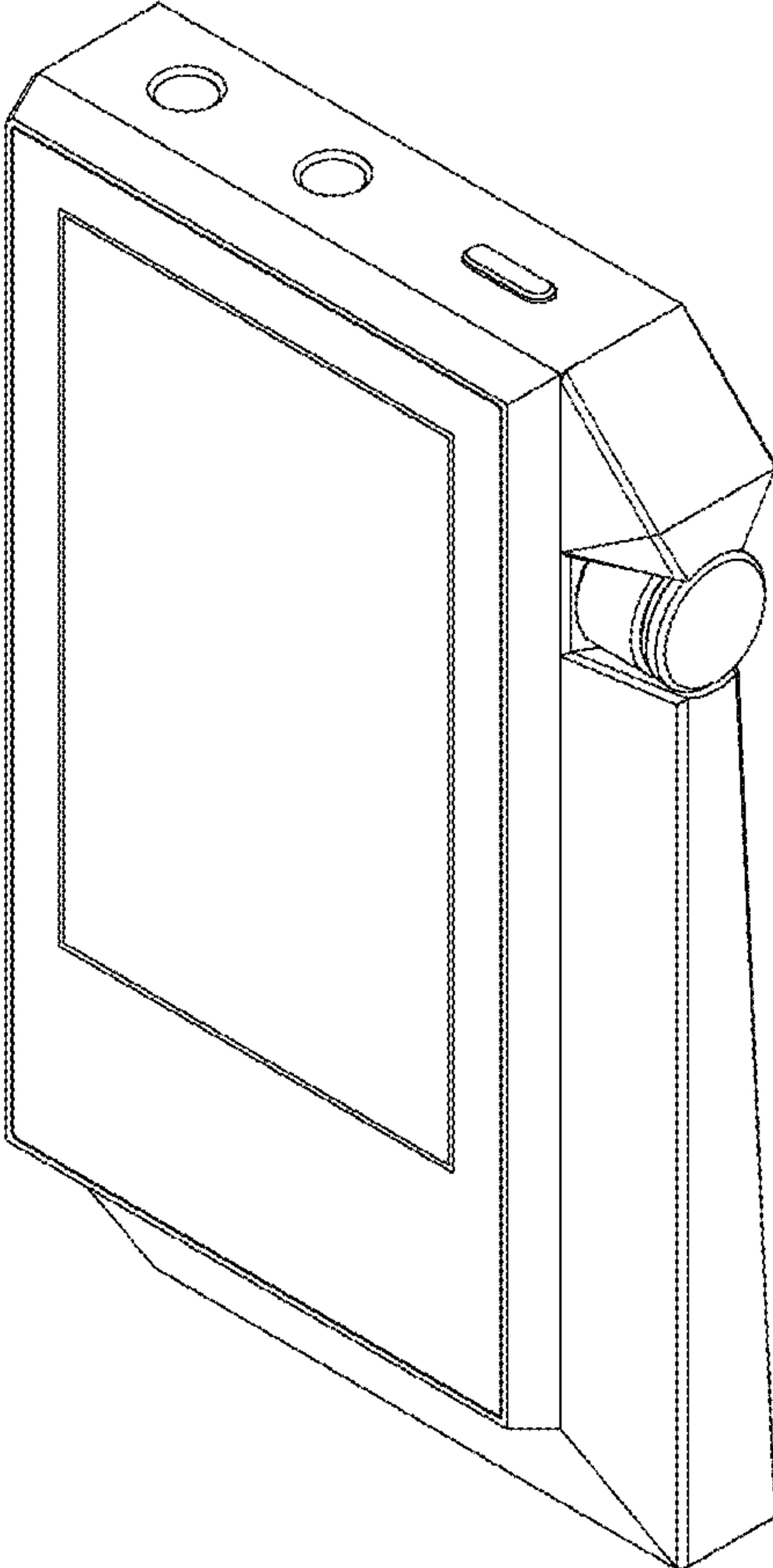


FIG. 1

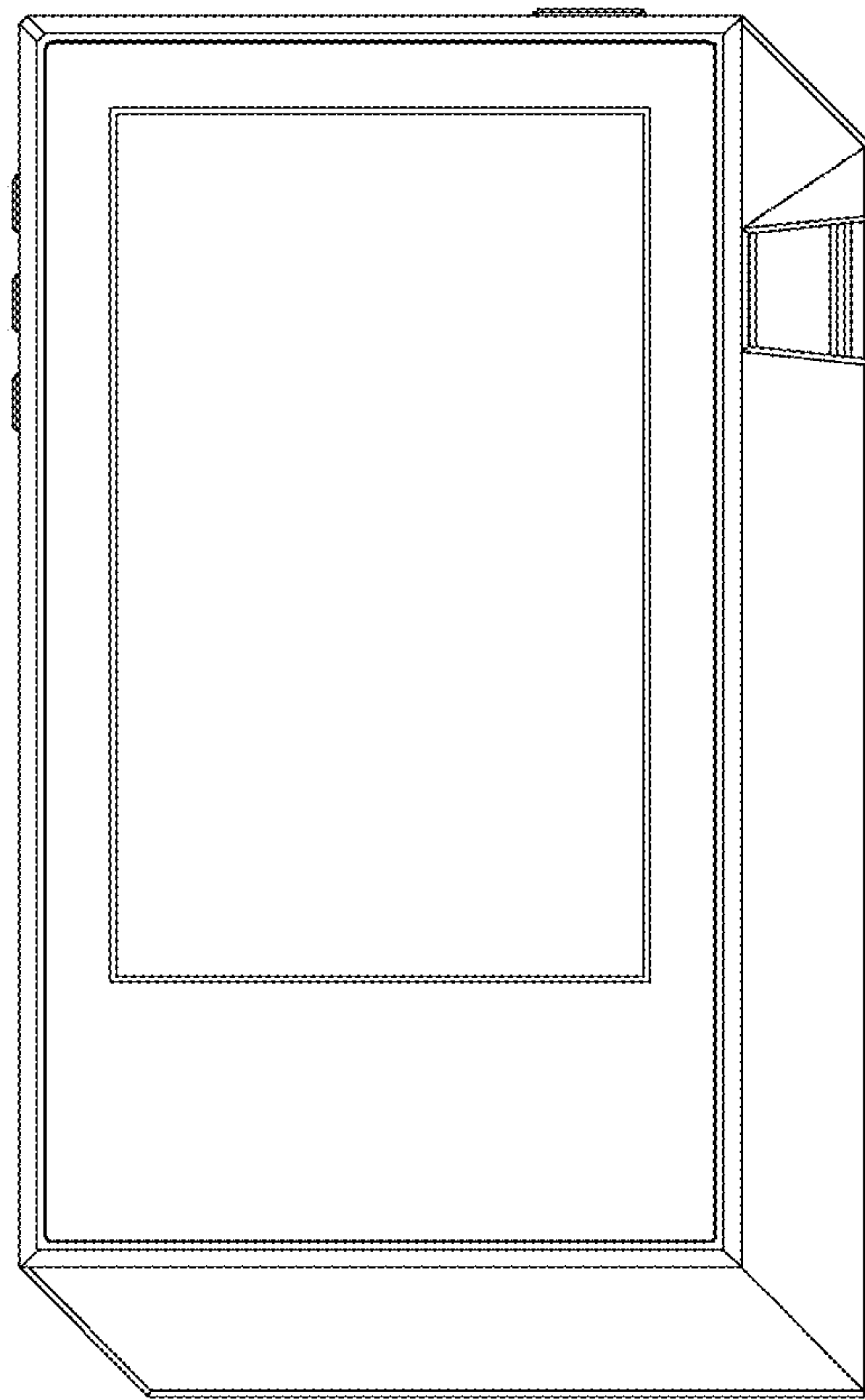


FIG. 2

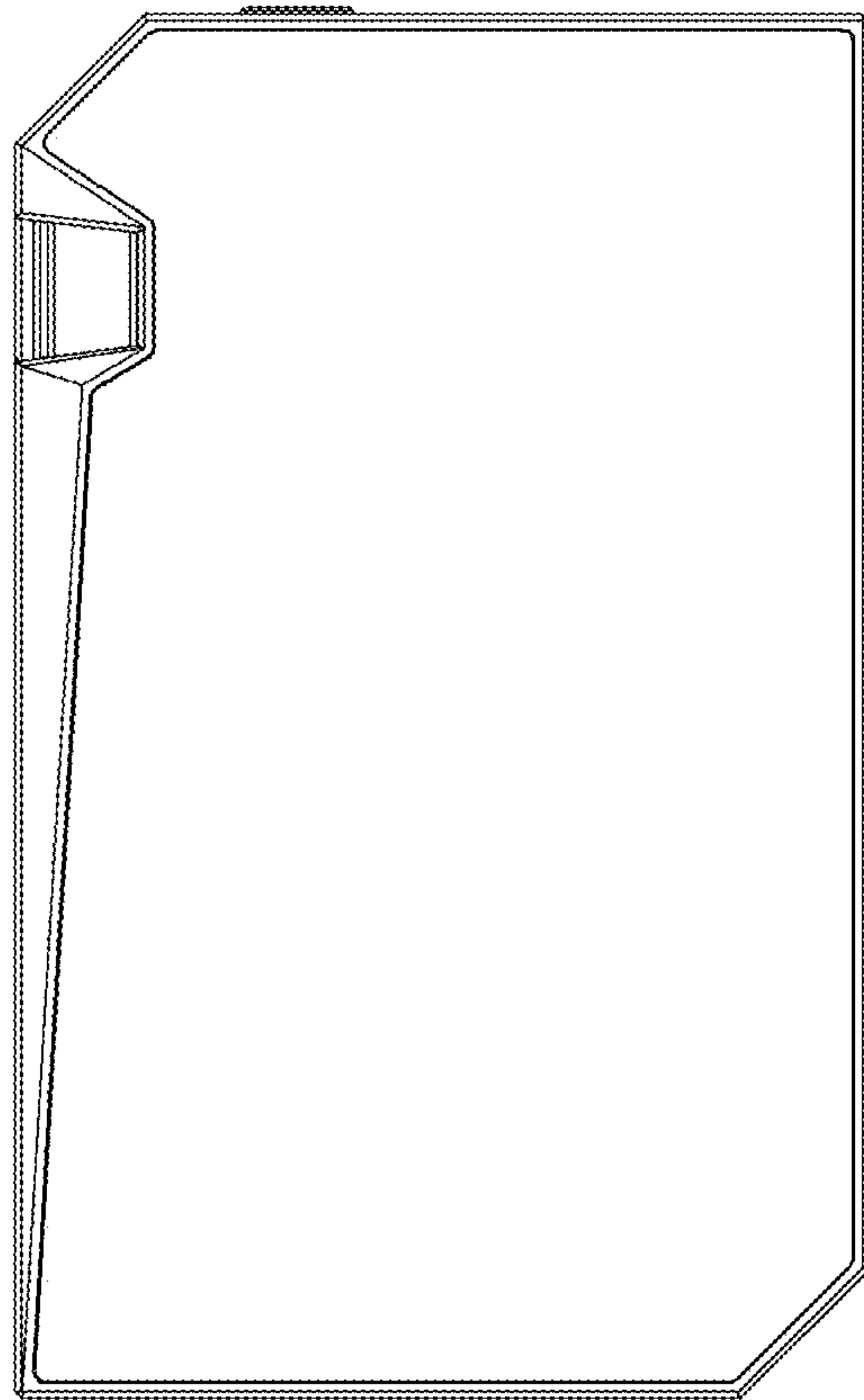


FIG. 3

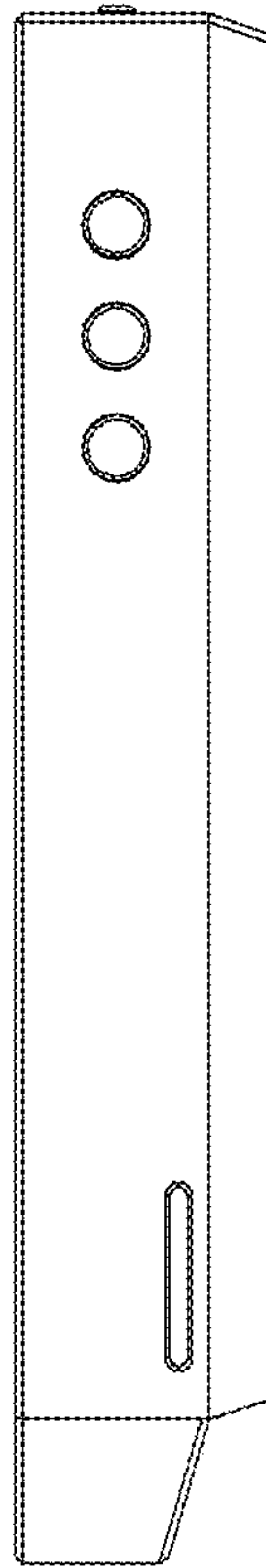


FIG. 4

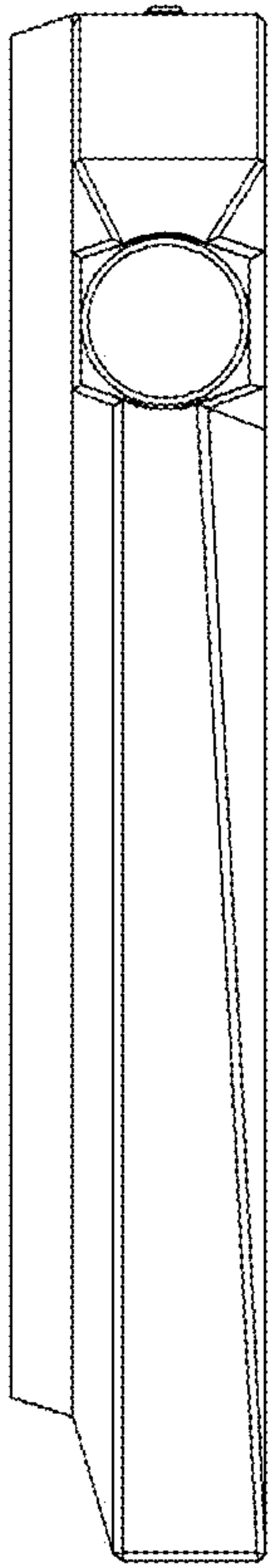


FIG. 5

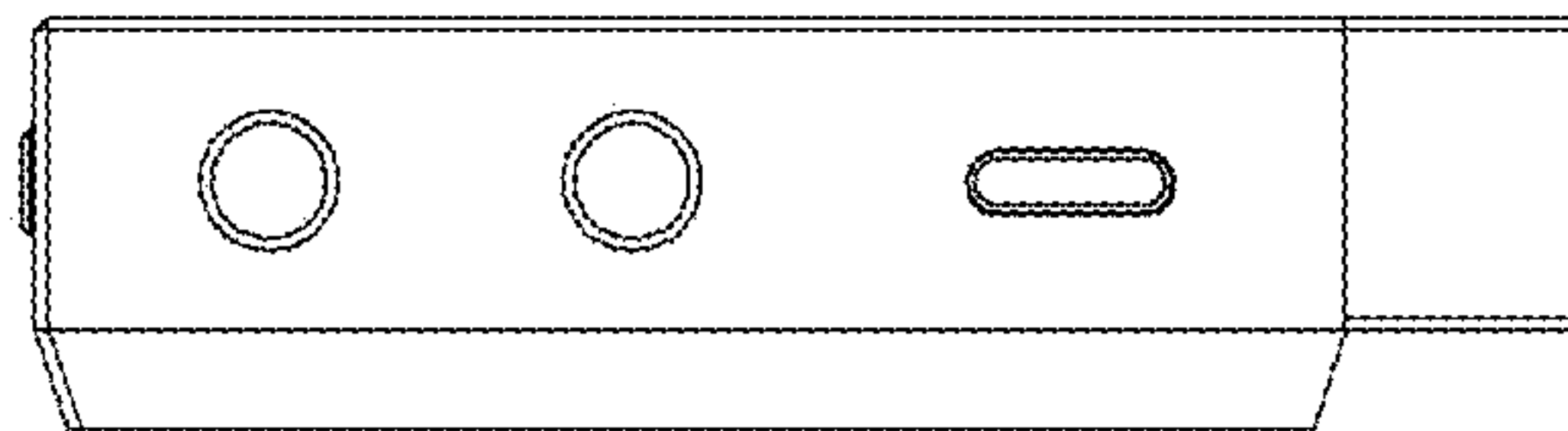


FIG. 6

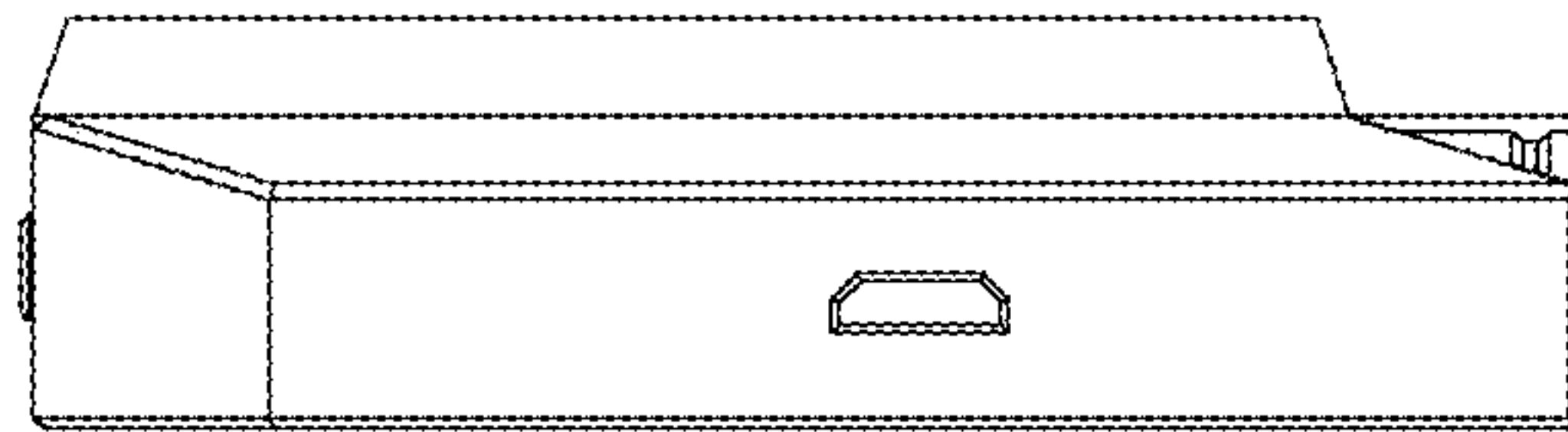


FIG. 7

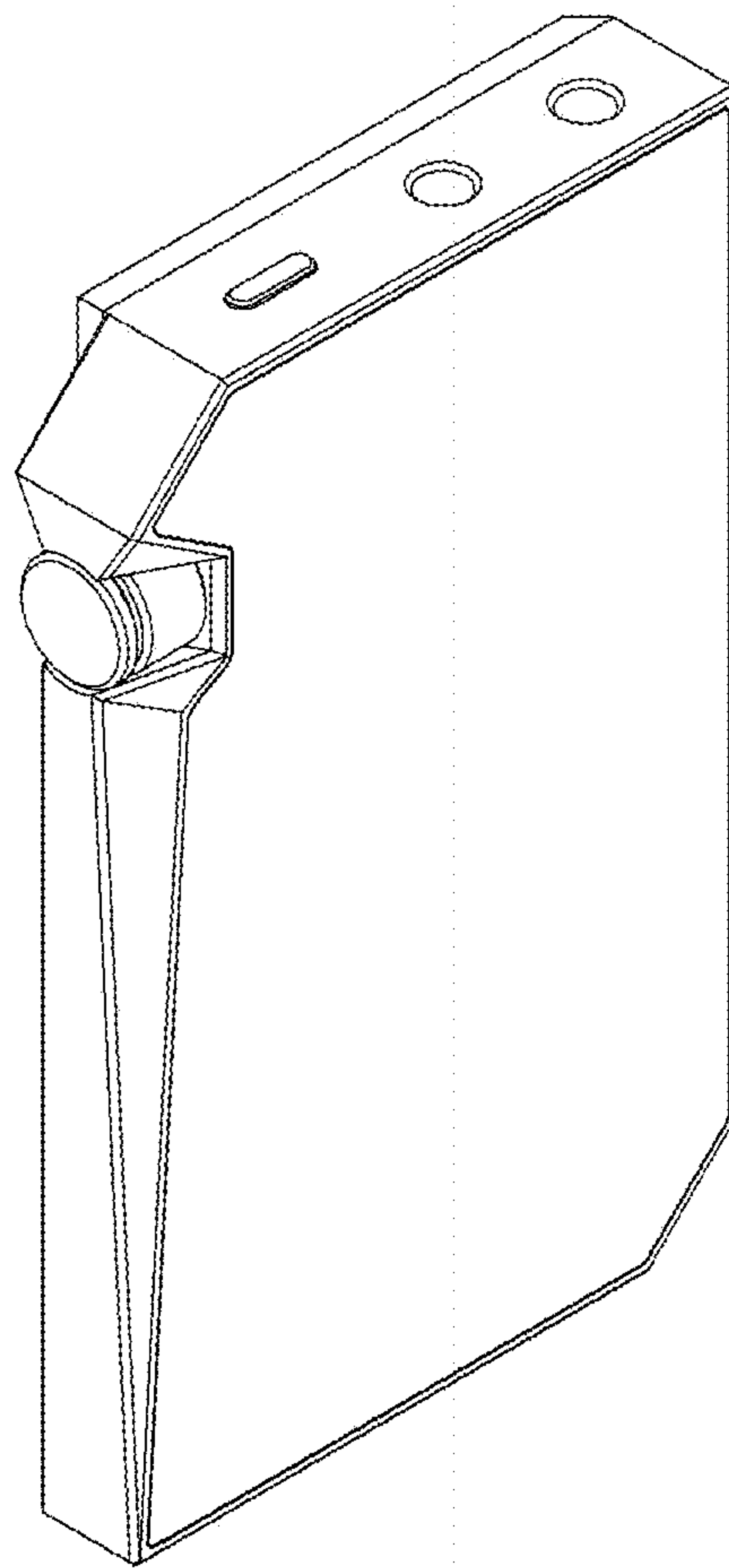


FIG. 8